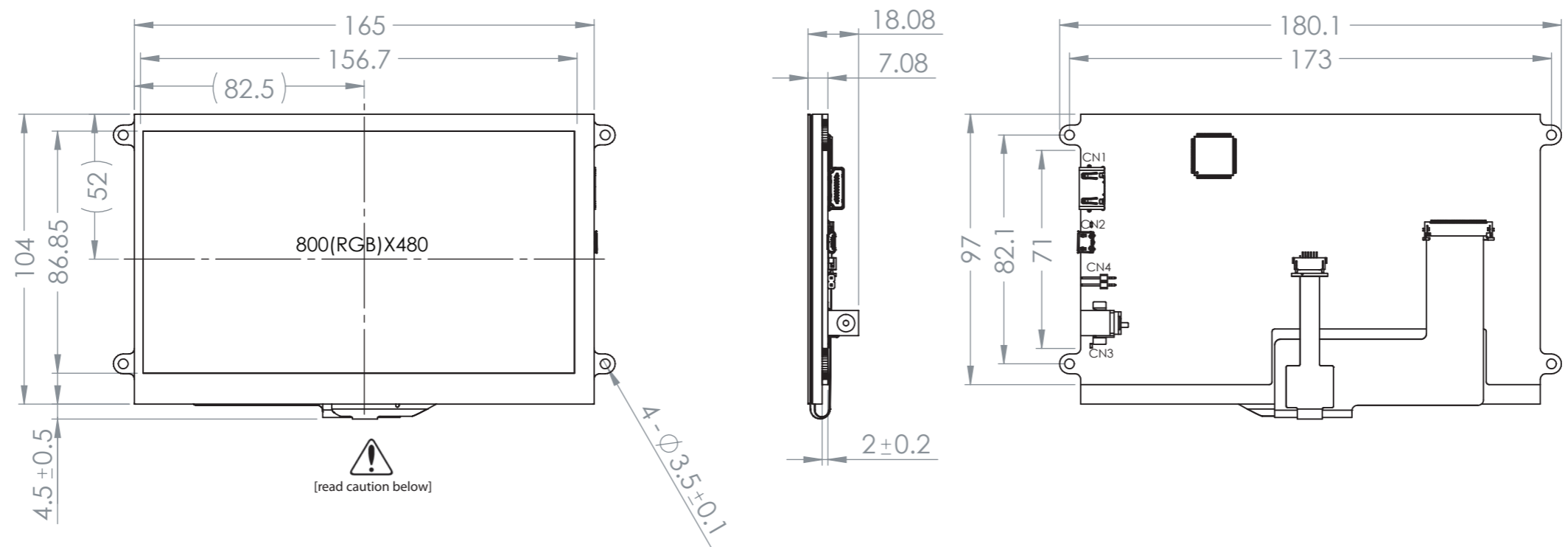


SYMBOL	REVISION	DATE



NOTES:

1. 7.0" Sunlight Readable HDMI TFT Module w/ USB-HID Capacitive Touch
2. On-board Texas Instruments TFP401A HDMI/DVI Receiver
3. Optimal Viewing Direction: 12:00
4. Display Mode: Transmissive / Normally White / Anti-Glare
5. Luminance: 830 cd/m²
6. 3M Brightness Enhancement Film
7. Touch Panel: Capacitive
8. On-board Texas Instruments TPS61165 High Brightness LED Driver w/ PWM

Improper handling of the FPC connections at the bottom edge of this module may cause damage resulting in display or touch failure. Take special care when handling this area of the display module to make sure these connections are never strained nor creased.

STANDARD TOLERANCES (UNLESS OTHERWISE SPECIFIED)				REVISION:	1.1
				DRAWING/PART NUMBER:	NHD-7.0-HDMI-N-RSXN-CTU
UNLESS OTHERWISE SPECIFIED	DRAWN BY:	CHECKED BY:	APPROVED BY:	SCALE:	
	N. Patel	P. Bartek	M. LaVine	1:2	
- DIMENSIONS ARE IN MILLIMETERS	DRAWN DATE:	CHECKED DATE:	APPROVED DATE:	SHEET 1 OF 1	
- THIRD ANGLE PROJECTION	8/25/17	8/28/17	8/29/17	DO NOT SCALE DRAWING	
THIS DRAWING IS SOLELY THE PROPERTY OF NEWHAVEN DISPLAY INTERNATIONAL, INC. THE INFORMATION IT CONTAINS IS NOT TO BE DISCLOSED, REPRODUCED OR COPIED IN WHOLE OR PART WITHOUT WRITTEN APPROVAL FROM NEWHAVEN DISPLAY.					