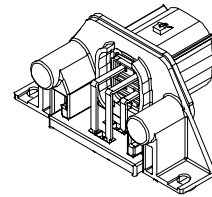
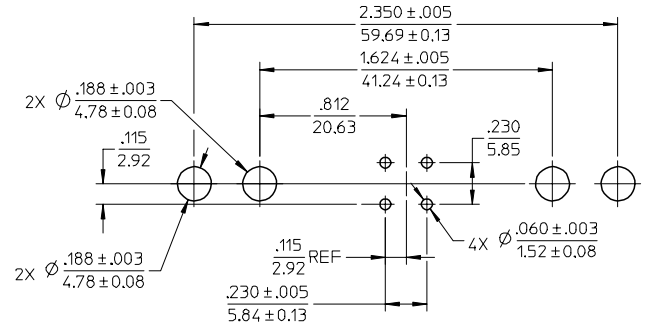
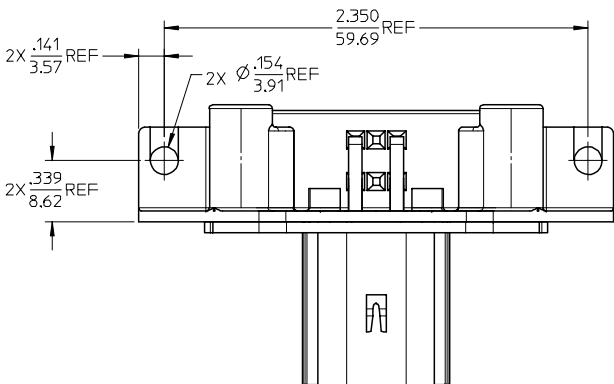
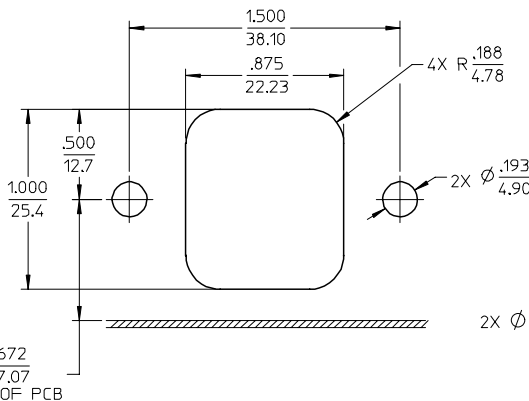


13 12 11 10 9 8 7 6 5 4 3 2 1

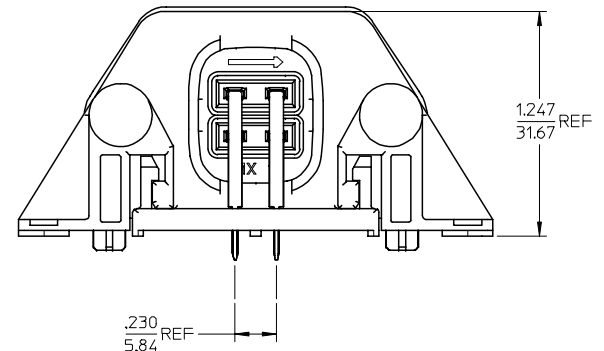
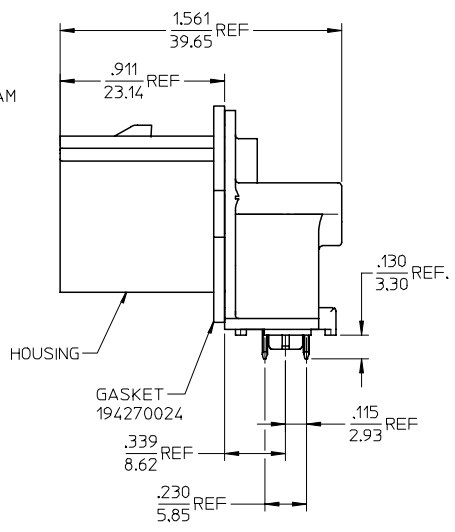
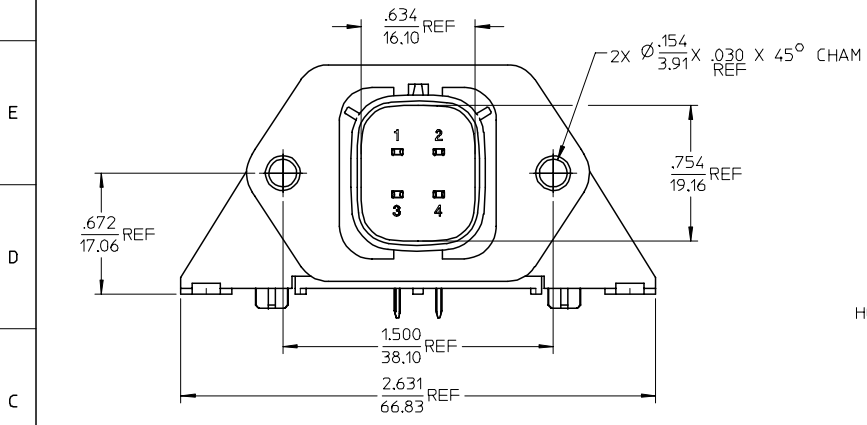
RECOMMENDED PANEL MOUNT OPENING
MAX PANEL THK .080/2.03



ASSEMBLED VIEW
SCALE 1:1



RECOMMENDED PCB LAYOUT
COMPONENT SIDE
TOLERANCES ARE NON-ACCUMULATIVE



NOTES:

1. MATERIALS:
HOUSING: POLYESTER (PBT), GLASS FILLED, UL94 V-0,
COLOR: BLACK
TERMINALS: COPPER ALLOY
2. FINISHES: 1. TIN ONLY: 100µM TIN OVER 50µM NICKEL
2. TIN/GOLD: 30µM SELECT GOLD (CONTACT MATING AREA),
100µM SELECT TIN (PCB TAIL AREA) OVER 50µM NICKEL OVERALL.
3. PRODUCT SPECIFICATION: PS-19427-001.
4. PACKAGING SPECIFICATION: PK-19427-001.
5. MATES WITH: 19418 SERIES RECEPTACLE ASSEMBLIES.
6. RECOMMENDED MOUNTING HARDWARE: (2) #10 X .62/18.9 LONG PLASTIC
THREAD CUTTING SCREWS, RECOMMENDED TORQUE 15-17 IN.-LBS.
SUGGESTED SOURCE: ITW SHAKEPROOF INDUSTRIAL BOSSCREW OR EQUIVALENT.

MATERIAL NO.	TERMINAL PLATING
194270096	TIN
194270112	TIN/GOLD

REVISED EC NO: ETC2006-0028 DRWN: JPWLICK 2005/10/10 CHKD: JPWLICK 2005/10/11 APPR: RDEROSS 2005/10/11 REV DESCRIPTION	QUALITY SYMBOLS	GENERAL TOLERANCES (UNLESS SPECIFIED)	DIMENSION STYLE	SCALE	DESIGN UNITS	THIRD ANGLE PROJECTION
	=0 =0	mm INCH 4 PLACES ± --- ± --- 3 PLACES ± --- ± .015 2 PLACES ± 0.38 ± --- 1 PLACE ± --- ± --- ANGULAR ± 1 °	IN/MM	2:1	INCH	THIRD ANGLE PROJECTION
	DRAFT WHERE APPLICABLE MUST REMAIN WITHIN DIMENSIONS	DRAWN BY: DMYRICK CHECKED BY: JPWLICK APPROVED BY: RDEROSS DATE: 04/07/23 DATE: 04/07/23 DATE: 04/07/23	SEE CHART	MOLEX INCORPORATED DOCUMENT NO. SD-19427-012	SHEET NO. 1 OF 1	4 WAY RIGHT ANGLE HEADER ASSEMBLY WITH MOUNTING HOLES
	THIS DRAWING CONTAINS INFORMATION THAT IS PROPRIETARY TO MOLEX INCORPORATED AND SHOULD NOT BE USED WITHOUT WRITTEN PERMISSION					

12 11 10 9 8 7 6 5 4 3 2 1