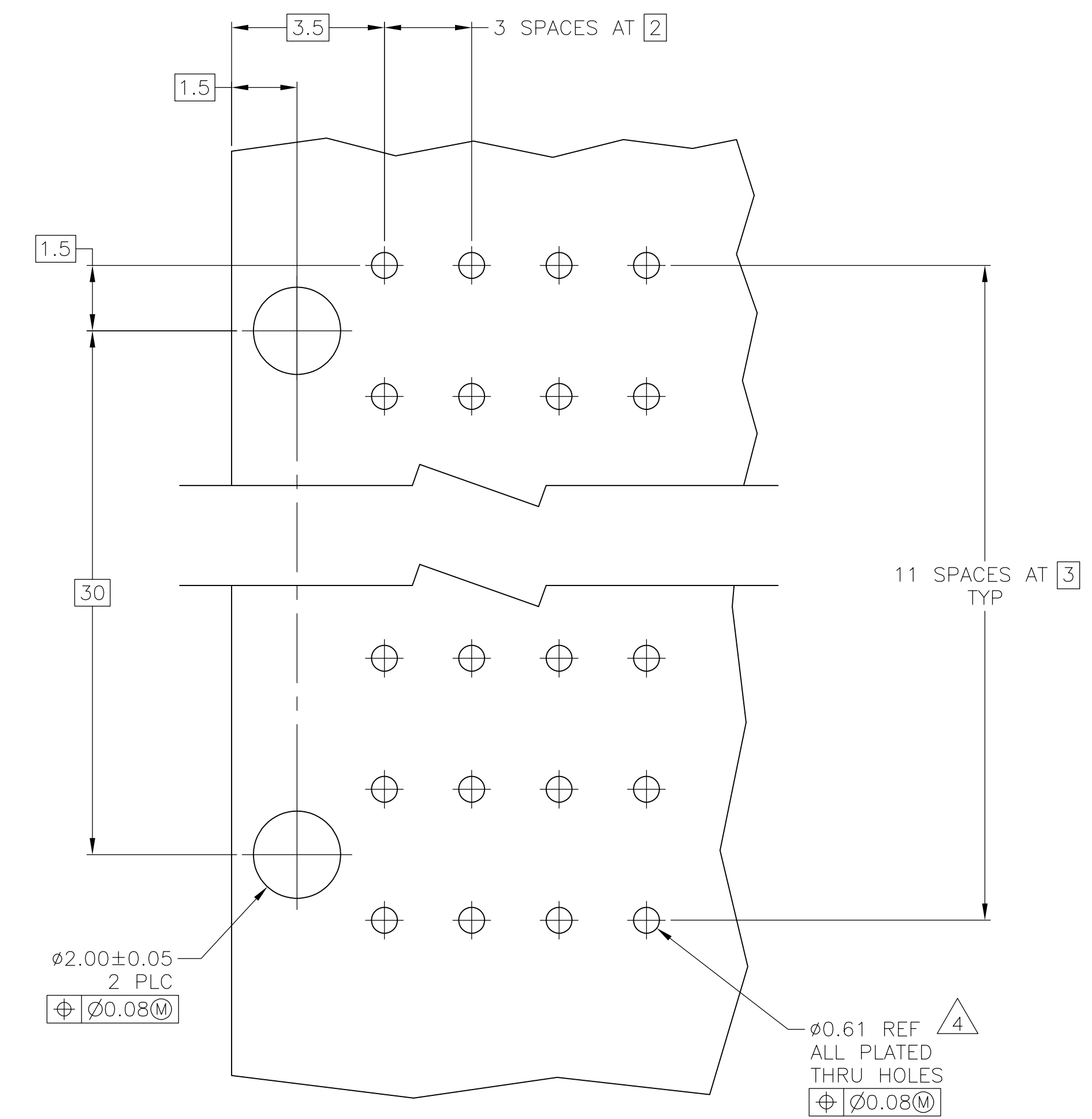
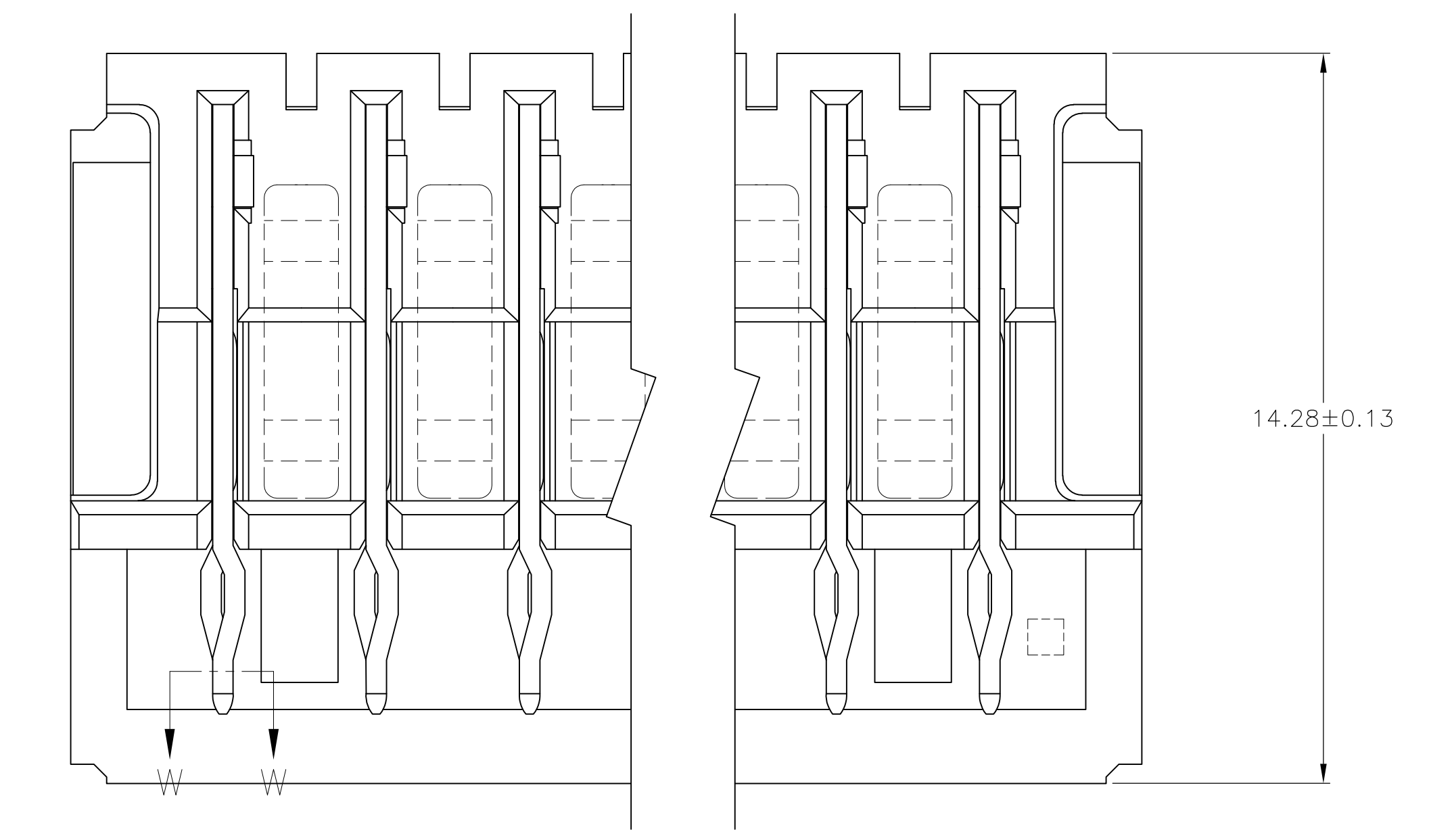
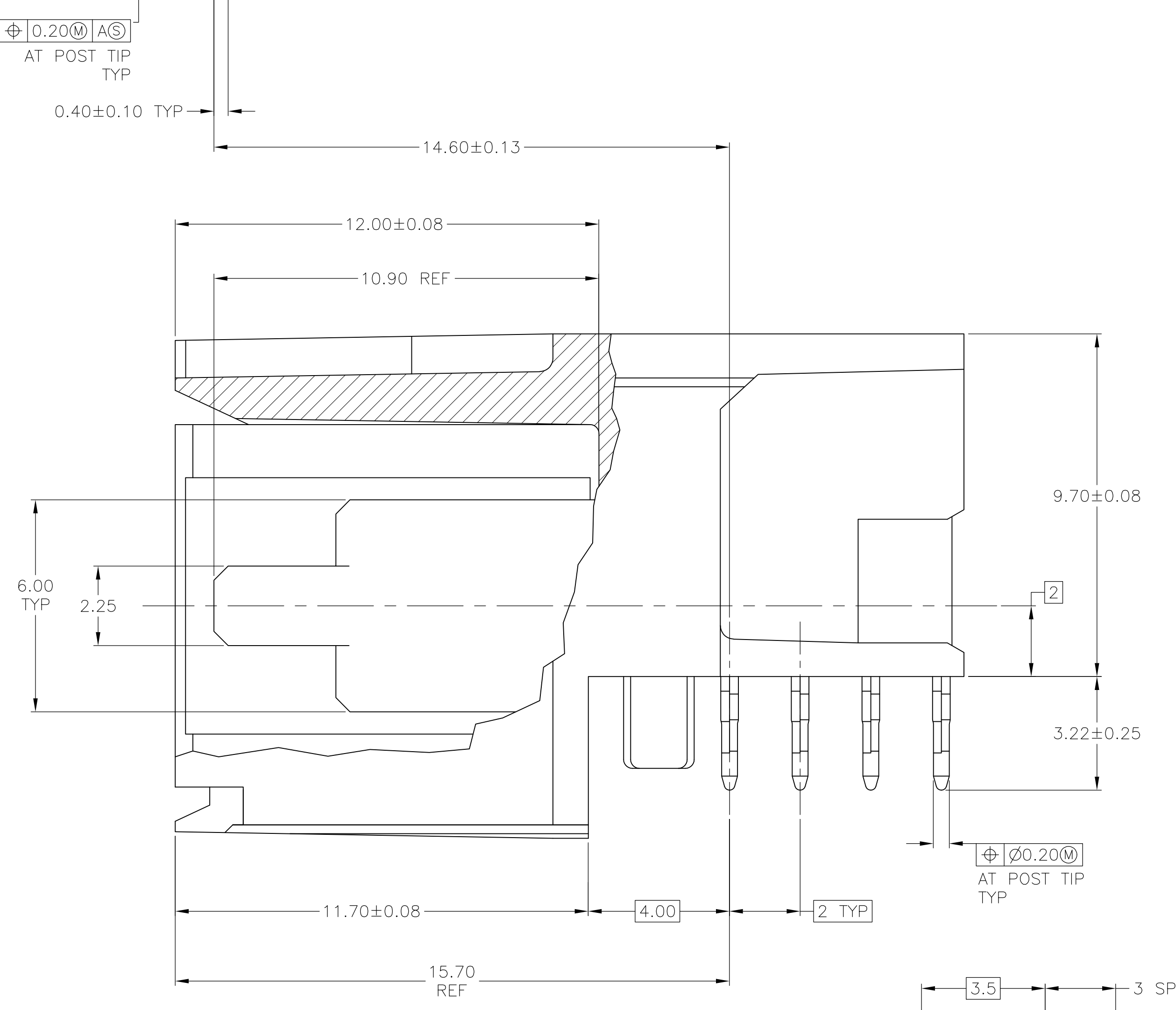
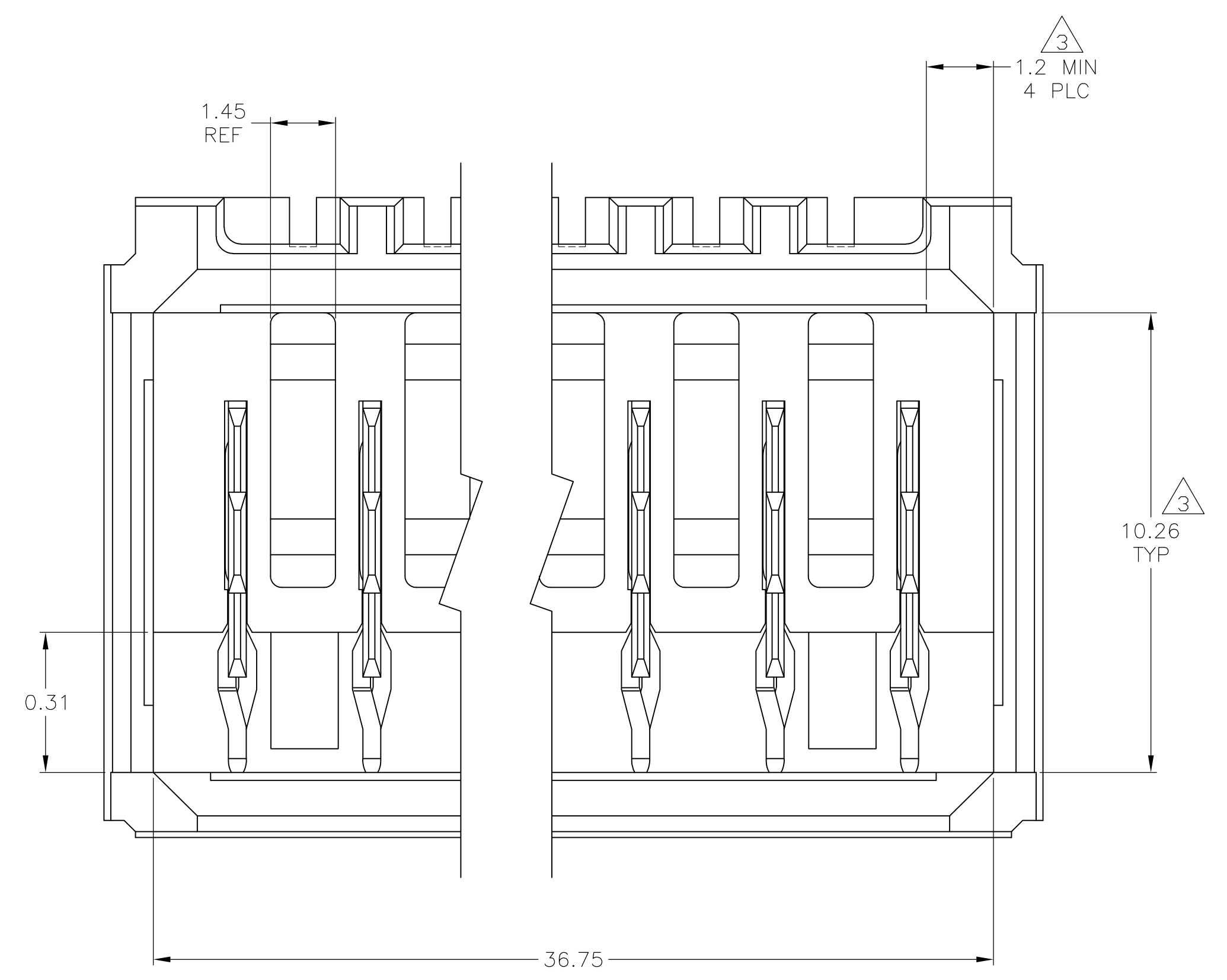


- 1 MATERIAL: HOUSING: POLYESTER. COLOR: GRAY. UL 94V-0. CONTACT: PHOSPHOR BRONZE.
- 2 FINISH: CONTACT MATING AREA: 1.27µm MIN GOLD OR 0.08µm MIN GOLD OVER 0.76µm MIN PALLADIUM-NICKEL. ACTION PIN AREA: 0.5µm MIN TIN LEAD PLATE, ALL OVER 1.27µm MIN NICKEL UNDERPLATE.
- 3 THE 10.26±0.13 DIMENSION APPLIES IN THIS AREA.
- 4 REFERENCE APPLICATION SPEC 114-1103 FOR RECOMMENDED PLATED THRU HOLE DIAMETER AND PLATING THICKNESS.
- 5. CURRENT RATING 10A/CONTACT PER PRODUCT SPEC 108-1651.



RECOMMENDED PCB HOLE LAYOUT

223996-1
PART NUMBER

THIS DRAWING IS A CONTROLLED DOCUMENT.		DATE	12/8/99	Tyco Electronics Corporation Harrisburg, PA 17105-3608
DRAWN BY: L. BRINER		DATE	12/8/99	
CHECKED BY: R. PATTERSON		DATE	12/8/99	Tyco Electronics Corporation Harrisburg, PA 17105-3608
APPROVED BY: R. PATTERSON		DATE	12/8/99	
DIMENSIONS:		TOLERANCE UNLESS OTHERWISE SPECIFIED:		PRODUCT SPEC
Ø	0.010	+	-	APPLICATION SPEC
Ø	0.015	+	-	WEIGHT
Ø	0.020	+	-	CUSTOMER DRAWING
Ø	0.030	+	-	SCALE
Ø	0.040	+	-	SIZE
Ø	0.050	+	-	CODE
Ø	0.063	+	-	DRAWING NO.
Ø	0.075	+	-	REV. F
Ø	0.088	+	-	REV. F
Ø	0.100	+	-	REV. F
Ø	0.125	+	-	REV. F
Ø	0.150	+	-	REV. F
Ø	0.188	+	-	REV. F
Ø	0.250	+	-	REV. F
Ø	0.315	+	-	REV. F
Ø	0.375	+	-	REV. F
Ø	0.500	+	-	REV. F
Ø	0.625	+	-	REV. F
Ø	0.750	+	-	REV. F
Ø	0.875	+	-	REV. F
Ø	1.000	+	-	REV. F
Ø	1.250	+	-	REV. F
Ø	1.500	+	-	REV. F
Ø	1.875	+	-	REV. F
Ø	2.250	+	-	REV. F
Ø	2.625	+	-	REV. F
Ø	3.000	+	-	REV. F
Ø	3.750	+	-	REV. F
Ø	4.500	+	-	REV. F
Ø	5.250	+	-	REV. F
Ø	6.000	+	-	REV. F
Ø	7.500	+	-	REV. F
Ø	9.000	+	-	REV. F
Ø	10.000	+	-	REV. F
Ø	12.000	+	-	REV. F
Ø	15.000	+	-	REV. F
Ø	18.000	+	-	REV. F
Ø	20.000	+	-	REV. F
Ø	24.000	+	-	REV. F
Ø	30.000	+	-	REV. F
Ø	36.000	+	-	REV. F
Ø	42.000	+	-	REV. F
Ø	48.000	+	-	REV. F
Ø	54.000	+	-	REV. F
Ø	60.000	+	-	REV. F
Ø	72.000	+	-	REV. F
Ø	84.000	+	-	REV. F
Ø	96.000	+	-	REV. F
Ø	108.000	+	-	REV. F
Ø	120.000	+	-	REV. F
Ø	144.000	+	-	REV. F
Ø	168.000	+	-	REV. F
Ø	192.000	+	-	REV. F
Ø	216.000	+	-	REV. F
Ø	240.000	+	-	REV. F
Ø	288.000	+	-	REV. F
Ø	336.000	+	-	REV. F
Ø	384.000	+	-	REV. F
Ø	432.000	+	-	REV. F
Ø	480.000	+	-	REV. F
Ø	576.000	+	-	REV. F
Ø	672.000	+	-	REV. F
Ø	768.000	+	-	REV. F
Ø	864.000	+	-	REV. F
Ø	960.000	+	-	REV. F
Ø	1056.000	+	-	REV. F
Ø	1152.000	+	-	REV. F
Ø	1248.000	+	-	REV. F
Ø	1344.000	+	-	REV. F
Ø	1440.000	+	-	REV. F
Ø	1536.000	+	-	REV. F
Ø	1632.000	+	-	REV. F
Ø	1728.000	+	-	REV. F
Ø	1824.000	+	-	REV. F
Ø	1920.000	+	-	REV. F
Ø	2016.000	+	-	REV. F
Ø	2112.000	+	-	REV. F
Ø	2208.000	+	-	REV. F
Ø	2304.000	+	-	REV. F
Ø	2400.000	+	-	REV. F
Ø	2496.000	+	-	REV. F
Ø	2592.000	+	-	REV. F
Ø	2688.000	+	-	REV. F
Ø	2784.000	+	-	REV. F
Ø	2880.000	+	-	REV. F
Ø	2976.000	+	-	REV. F
Ø	3072.000	+	-	REV. F
Ø	3168.000	+	-	REV. F
Ø	3264.000	+	-	REV. F
Ø	3360.000	+	-	REV. F
Ø	3456.000	+	-	REV. F
Ø	3552.000	+	-	REV. F
Ø	3648.000	+	-	REV. F
Ø	3744.000	+	-	REV. F
Ø	3840.000	+	-	REV. F
Ø	3936.000	+	-	REV. F
Ø	4032.000	+	-	REV. F
Ø	4128.000	+	-	REV. F
Ø	4224.000	+	-	REV. F
Ø	4320.000	+	-	REV. F
Ø	4416.000	+	-	REV. F
Ø	4512.000	+	-	REV. F
Ø	4608.000	+	-	REV. F
Ø	4704.000	+	-	REV. F
Ø	4800.000	+	-	REV. F
Ø	4896.000	+	-	REV. F
Ø	4992.000	+	-	REV. F
Ø	5088.000	+	-	REV. F
Ø	5184.000	+	-	REV. F
Ø	5280.000	+	-	REV. F
Ø	5376.000	+	-	REV. F
Ø	5472.000	+	-	REV. F
Ø	5568.000	+	-	REV. F
Ø	5664.000	+	-	REV. F
Ø	5760.000	+	-	REV. F
Ø	5856.000	+	-	REV. F
Ø	5952.000	+	-	REV. F
Ø	6048.000	+	-	REV. F
Ø	6144.000	+	-	REV. F
Ø	6240.000	+	-	REV. F
Ø	6336.000	+	-	REV. F
Ø	6432.000	+	-	REV. F
Ø	6528.000	+	-	REV. F
Ø	6624.000	+	-	REV. F
Ø	6720.000	+	-	REV. F
Ø	6816.000	+	-	REV. F
Ø	6912.000	+	-	REV. F
Ø	7008.000	+	-	REV. F
Ø	7104.000	+	-	REV. F
Ø	7200.000	+	-	REV. F
Ø	7296.000	+	-	REV. F
Ø	7392.000	+	-	REV. F
Ø	7488.000	+	-	REV. F
Ø	7584.000	+	-	REV. F
Ø	7680.000	+	-	REV. F
Ø	7776.000	+	-	REV. F
Ø	7872.000	+	-	REV. F
Ø	7968.000	+	-	REV. F
Ø	8064.000	+	-	REV. F
Ø	8160.000	+	-	REV. F
Ø	8256.000	+	-	REV. F
Ø	8352.000	+	-	REV. F
Ø	8448.000	+	-	REV. F
Ø	8544.000	+	-	REV. F
Ø	8640.000	+	-	REV. F
Ø	8736.000	+	-	REV. F
Ø	8832.000	+	-	REV. F
Ø	8928.000	+	-	REV. F
Ø	9024.000	+	-	REV. F
Ø	9120.000	+	-	REV. F
Ø	9216.000	+	-	REV. F
Ø	9312.000	+	-	REV. F
Ø	9408.000	+	-	REV. F
Ø	9504.000	+	-	REV. F
Ø	9600.000	+	-	REV. F
Ø	9696.000	+	-	REV. F
Ø	9792.000	+	-	REV. F
Ø	9888.000	+	-	REV. F
Ø	9984.000	+	-	REV. F
Ø	10080.000	+	-	REV. F
Ø	10176.000	+	-	REV. F
Ø	10272.000	+	-	REV. F
Ø	10368.000	+	-	REV. F
Ø	10464.000	+	-	REV. F
Ø	10560.000	+	-	REV. F
Ø	10656.000	+	-	REV. F
Ø	10752.000	+	-	REV. F
Ø	10848.000	+	-	REV. F
Ø	10944.000	+	-	REV. F
Ø	11040.000	+	-	REV. F
Ø	11136.000	+	-	REV. F
Ø	11232.000	+	-	REV. F
Ø	11328.000	+	-	REV. F
Ø	11424.000	+	-	REV. F
Ø	11520.000	+	-	REV. F
Ø	11616.000	+	-	REV. F
Ø	11712.000	+	-	REV. F
Ø	11808.000	+	-	REV. F
Ø	11904.000	+	-	REV. F
Ø	12000.000	+	-	REV. F
Ø	12096.000	+	-	REV. F
Ø	12192.000	+	-	REV. F
Ø	12288.000	+	-	REV. F
Ø	12384.000	+	-	REV. F
Ø	12480.000	+	-	REV. F
Ø	12576.000	+	-	REV. F
Ø	12672.000	+	-	REV. F
Ø	12768.000	+	-	REV. F
Ø	12864.000	+	-	REV. F
Ø	12960.000	+	-	REV. F
Ø	13056.000	+	-	REV. F
Ø	13152.000	+	-	REV. F
Ø	13248.000	+	-	REV. F
Ø	13344.000	+	-	REV. F
Ø	13440.000	+	-	REV. F
Ø	13536.000	+	-	REV. F
Ø	13632.000	+	-	REV. F
Ø	13728.000	+	-	REV. F
Ø	13824.000	+	-	REV. F
Ø	13920.000	+	-	REV. F
Ø	14016.000	+	-	REV. F
Ø	14112.000	+	-	REV. F
Ø	14208.000	+	-	REV. F
Ø	14304.000	+	-	REV. F
Ø	14400.000	+	-	REV. F
Ø	14496.000	+	-	REV. F
Ø	14592.000	+	-	REV. F
Ø	14688.000	+	-	REV. F
Ø	14784.000	+	-	REV. F
Ø	14880.000	+	-	REV. F
Ø	14976.000	+	-	REV. F
Ø	15072.000	+	-	REV. F
Ø	15168.000	+	-	REV. F
Ø	15264.000	+	-	REV. F
Ø	15360.000	+	-	REV. F
Ø	15456.000	+	-	REV. F
Ø	15552.000	+	-	REV. F
Ø	15648.000	+	-	REV. F
Ø	15744.000	+	-	REV. F
Ø	15840.000	+	-	REV. F
Ø	15936.000	+	-	REV. F
Ø	16032.000	+	-	REV. F
Ø	16128.000	+	-	REV. F