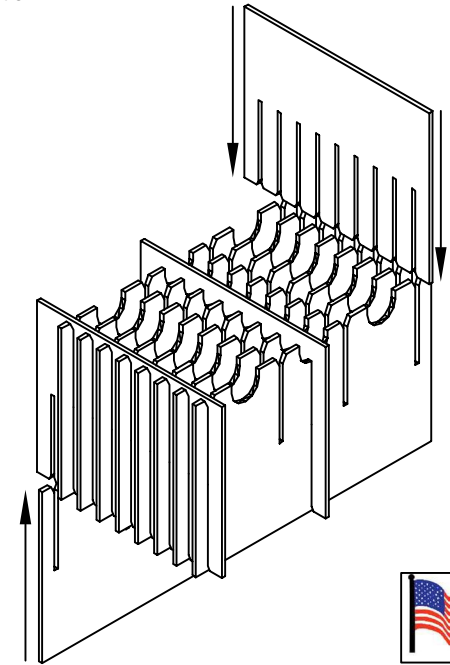
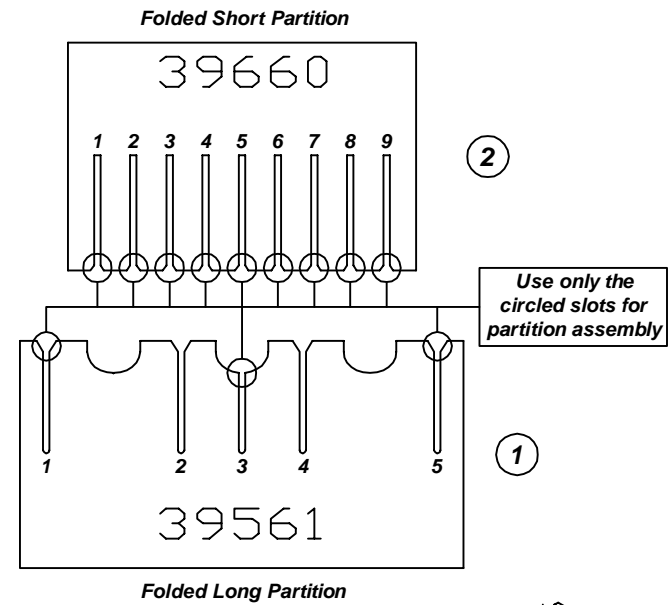
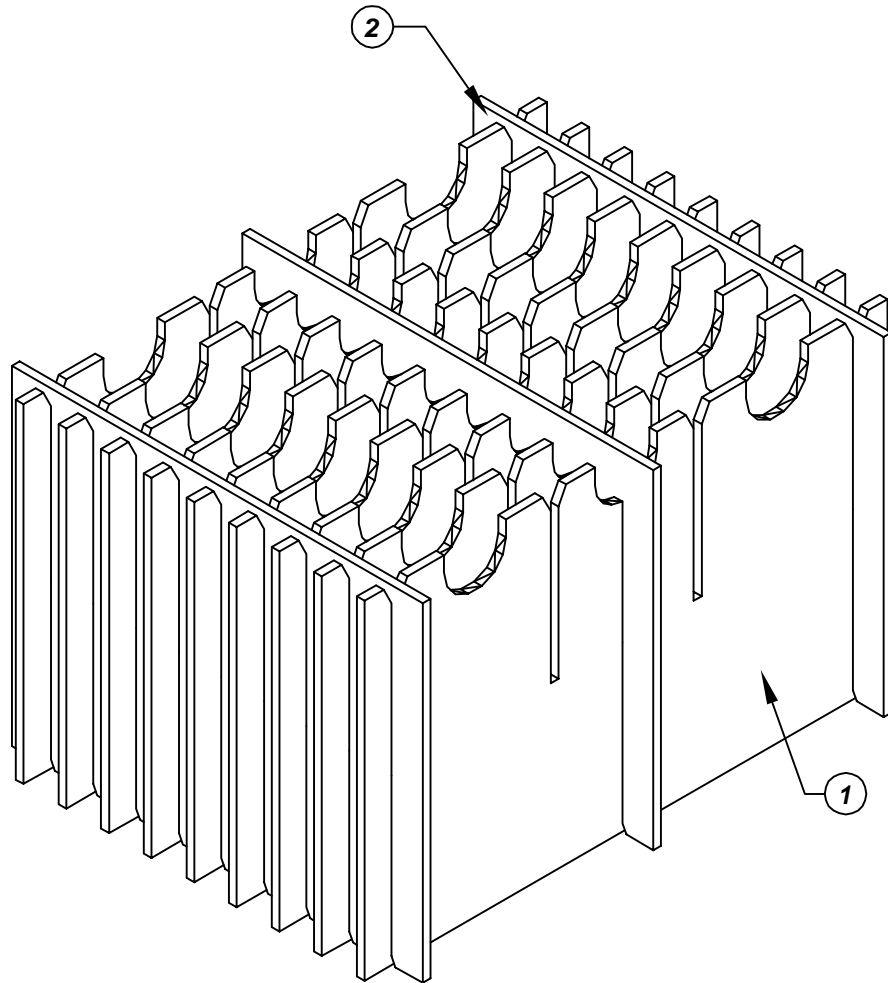


# Assembly Instructions for - 37256



Made in America

F/N ①	Part # 39561	Dimensions: 21-1/2" x 16-7/8"	Description: 439/403/434-LP Long Partition	Qty: 9
F/N ②	Part # 39660	Dimensions: 21-1/2" x 13-1/8"	Description: 439-SP Short Partition	Qty: 3

Notes:  
For use with the following storage container & lid:  
37513 - Storage Container  
37551 - Lid

PROTEKTIVE PAK  
13520 MONTE VISTA AVENUE, CHINO, CA 91710  
PHONE (909) 627-2578, FAX (909) 363-7331  
ProtektivePak.com

**PROTEKTIVE PAK**  
BURIED CONDUCTIVE LAYER

DRAWING NUMBER  
**IPH-37256**

DATE  
Dec.  
2007

**37256 - 20 Cell Inplant Handler**  
**Cell Size - 10-3/4" x 7-1/8" x 1"**