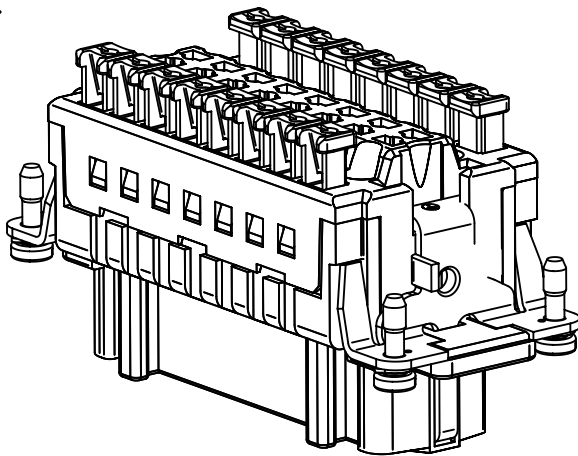
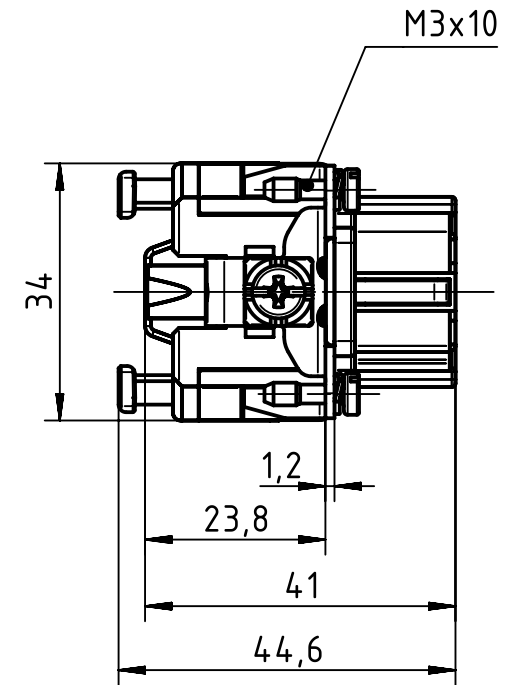
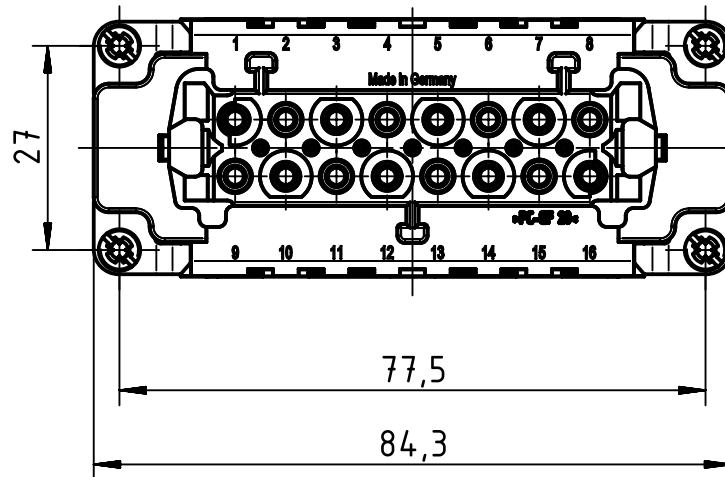
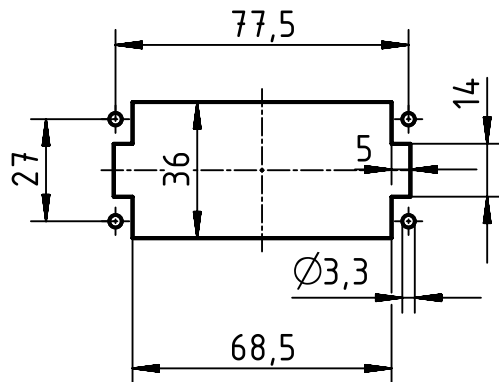


panel cut out 1:2



	All Dimensions in mm Original Size DIN A4	Scale 1:1		Free size tol.		Ref.	
						Sub.	
	All rights reserved Department EL PD - DE	Created by MOELLERLI	Inspected by RUETERA	Standardisation TIEMANNA	Date 2016-04-11	State Final Release	
		Title Han 16ES Press - F					Doc-Key / ECM-Nr. 100616954/UGD/001/B 500000103088
HARTING Electric GmbH & Co. KG D-32339 Espelkamp		Type TB	Number 09 33 016 2748			Rev. B	Page 1/1