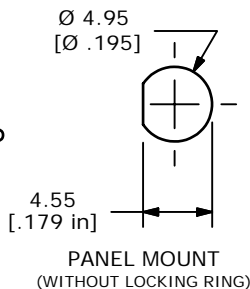
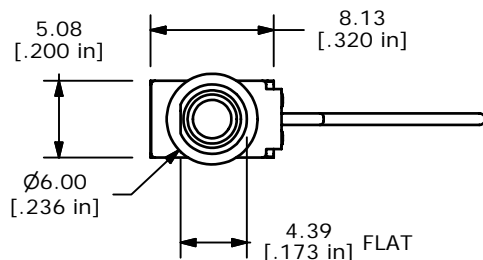
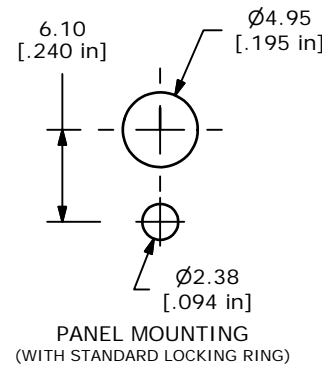


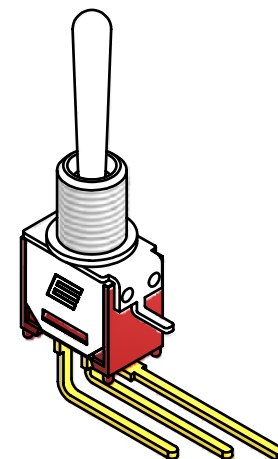
P.C. MOUNTING



PANEL MOUNT  
(WITHOUT LOCKING RING)



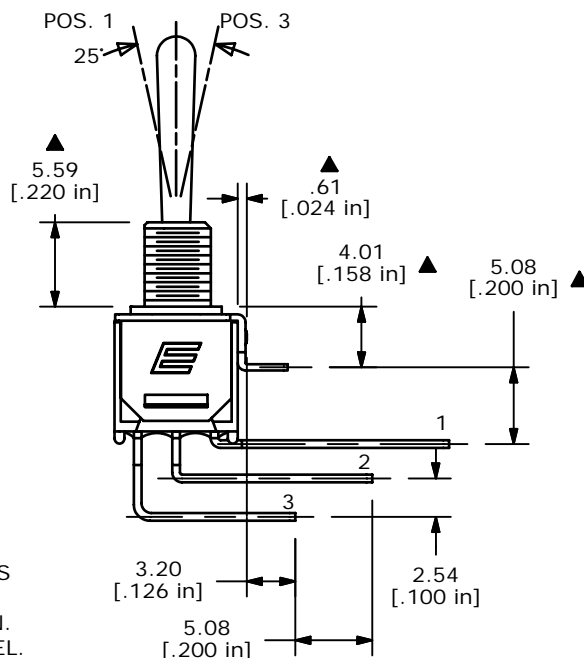
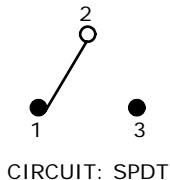
PANEL MOUNTING  
(WITH STANDARD LOCKING RING)



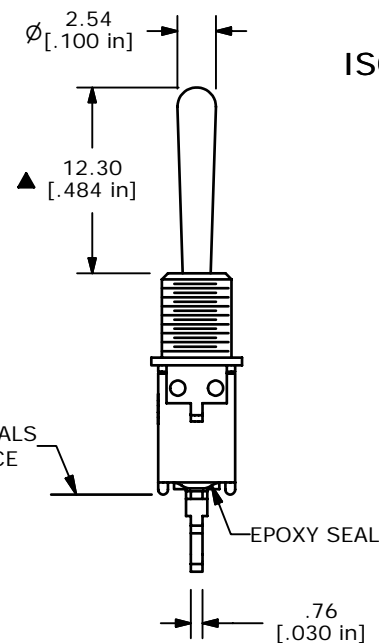
ISOMETRIC

SWITCH FUNCTION		
POS. 1	POS. 2	POS. 3
(ON)	NONE	ON
2-1	OPEN	2-3

(ON) = MOMENTARY



NO EPOXY ON TERMINALS  
BELOW THIS SURFACE



- NOTE:
1. ALL DIMENSIONS IN MM [INCH]
  2. GENERAL TOLERANCE: X.X=±0.4  
X.XX=±0.25
  3. TERMINAL NUMBERS FOR REF ONLY
  4. PLATING MATERIAL: SILVER
  5. RATING: 1A @ 250 V (AC or DC)  
3A @ 120VAC or 28VDC
  6. ELECTRIC LIFE: 30,000 MAKE-AND-BREAK CYCLES AT FULL LOAD.
  7. INSULATION RESISTANCE: 1,000 MEGA-OHM MIN.
  8. DIELECTRIC STRENGTH: 1,000 V RMS @SEA LEVEL.
  9. OPERATING TEMP.: -30°C to 85°C
  10. HARDWARE TO SHIPPED BULK  
T200001 - HEXNUT - QTY 2  
T200000 - LOCKWASHER - QTY 1  
T200002 - LOCKRING - QTY 1
  11. ▲ DENOTES CRITICAL PARAMETER.
  12. 2002/95/EC (ROHS) COMPLIANT

**E-SWITCH®**

A	17908	RELEASED FOR PRODUCTION	12/27/08	BLR
REV	PCR NO	DESCRIPTION	DATE	BY

TITLE 200MSP5T4B1M7QEH				
SCALE	DATE	DR	DWG	REV
2:1	12/27/2007	BLR	ST211108	A

THE INFORMATION CONTAINED IN THIS DOCUMENT IS PROPRIETARY TO E-SWITCH AND IS NOT TO BE COPIED OR TRANSFERRED