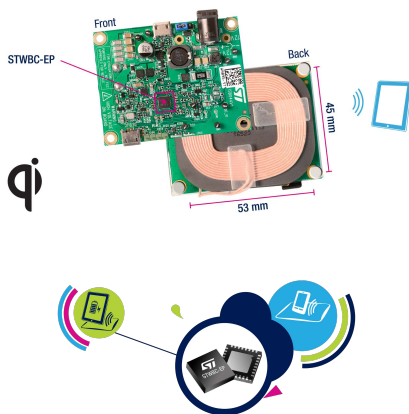


## Qi MP-A10 15 W wireless charger TX evaluation kit based on STWBC-EP



### Features

- **STWBC-EP** digital controller
- 15 W output power
- Qi MP-A10 reference design
- WPC Qi1.2.3 standard compliant
- Robust demodulation algorithm, with triple path (V, I, f)
- Foreign object detection (FOD)
- Accurate power control
- Active presence detection
- UART protocol to control and monitor the system
- Complete reference design (evaluation board, IC, firmware and tools)
- 2-layer PCB for easy design
- Flash memory-based
- RoHS compliant

### Description

The **STEVAL-ISB044V1** evaluation kit has been designed for devices, such as smartphones or tablets, requiring high power levels.

It supports wireless battery charging up to 15 W.

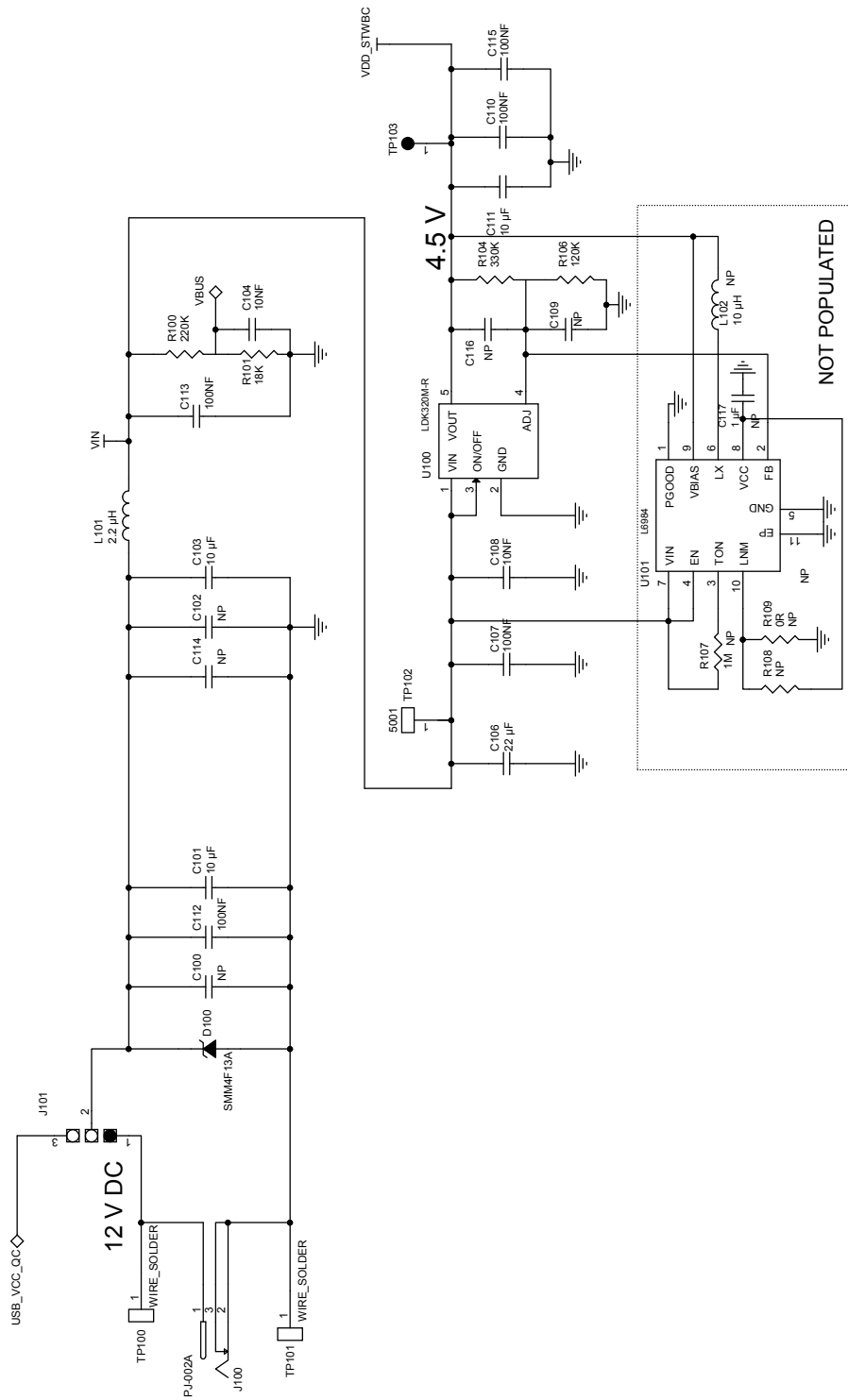
The embedded **STWBC-EP** digital controller transmitter is based on a cost-effective half-bridge topology providing external interfaces via UART and I<sup>2</sup>C.

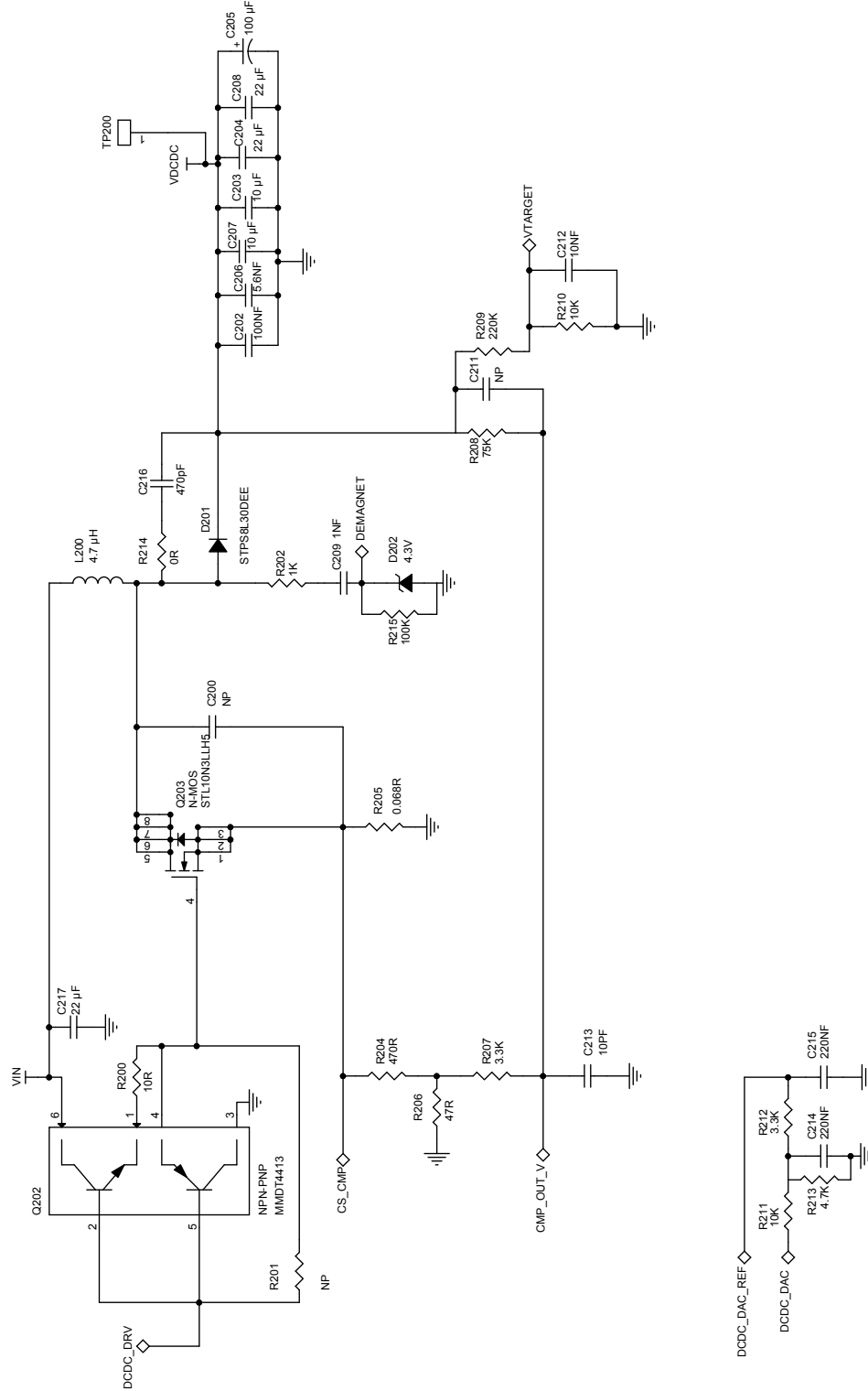
The kit also includes STWBC-EP firmware, a graphical interface for debug, schematics, layout files and bill of materials.

There are specific tools for the STEVAL-ISB044V1 available on [www.st.com](http://www.st.com) which give runtime information, such as the power delivered, the regulation error or the protocol status as well as parameter tuning.

Summary table	
Qi MP-A10 15 W wireless charger TX evaluation kit based on STWBC-EP	<b>STEVAL-ISB044V1</b>
Digital controller for wireless battery charger transmitters (WBC) in 15 W medium power applications	<b>STWBC-EP</b>

# 1 Schematic diagrams

**Figure 1. STEVAL-ISB044V1 circuit schematic (1 of 8)**


**Figure 2. STEVAL-ISB044V1 circuit schematic (2 of 8)**


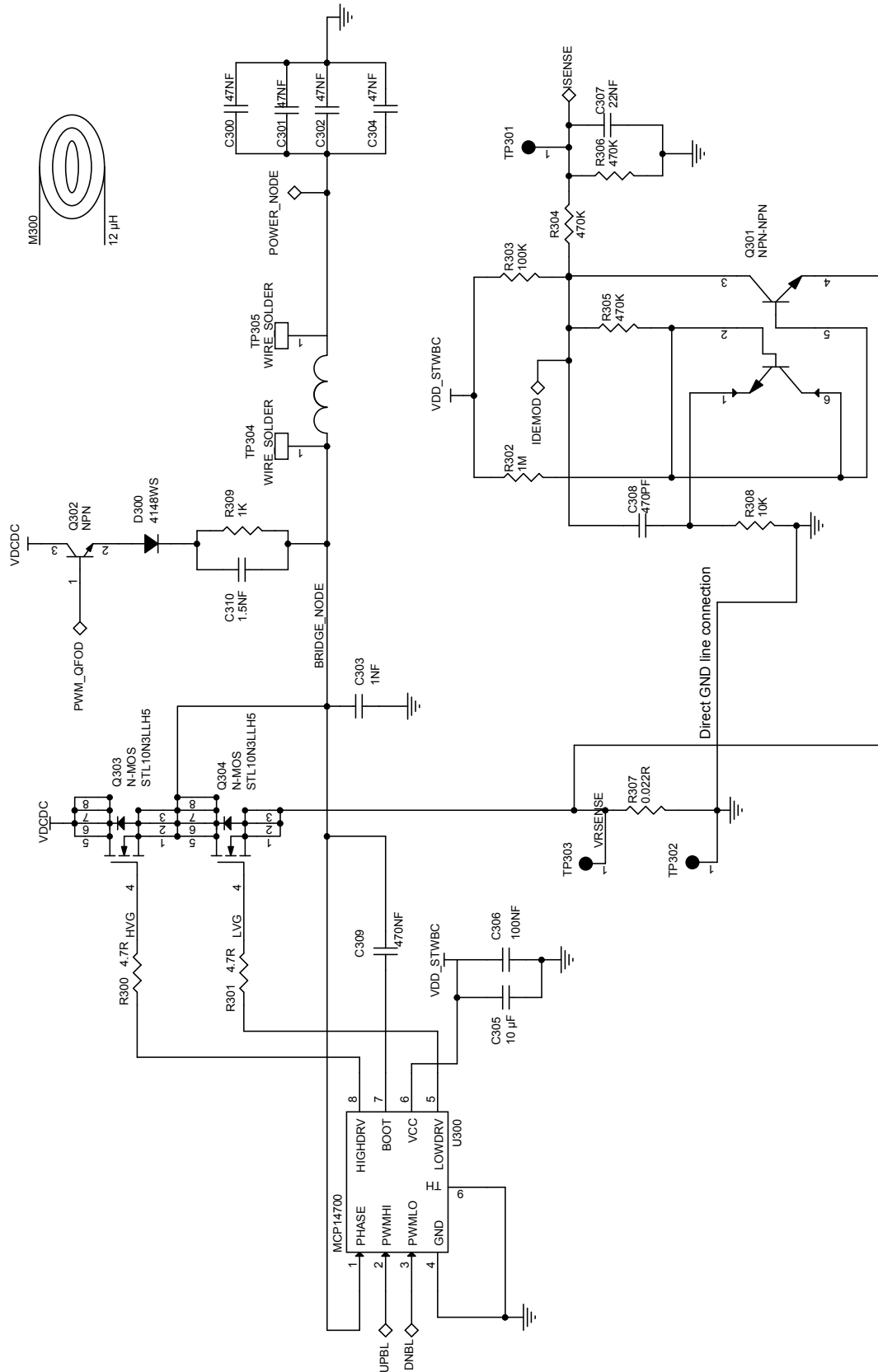
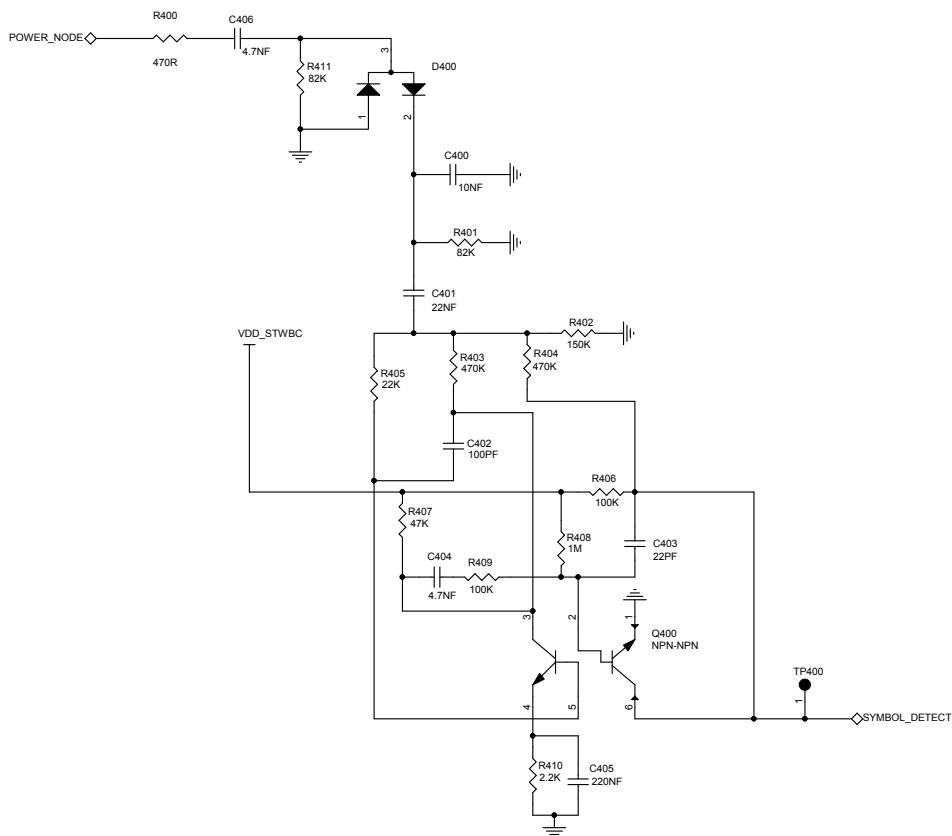
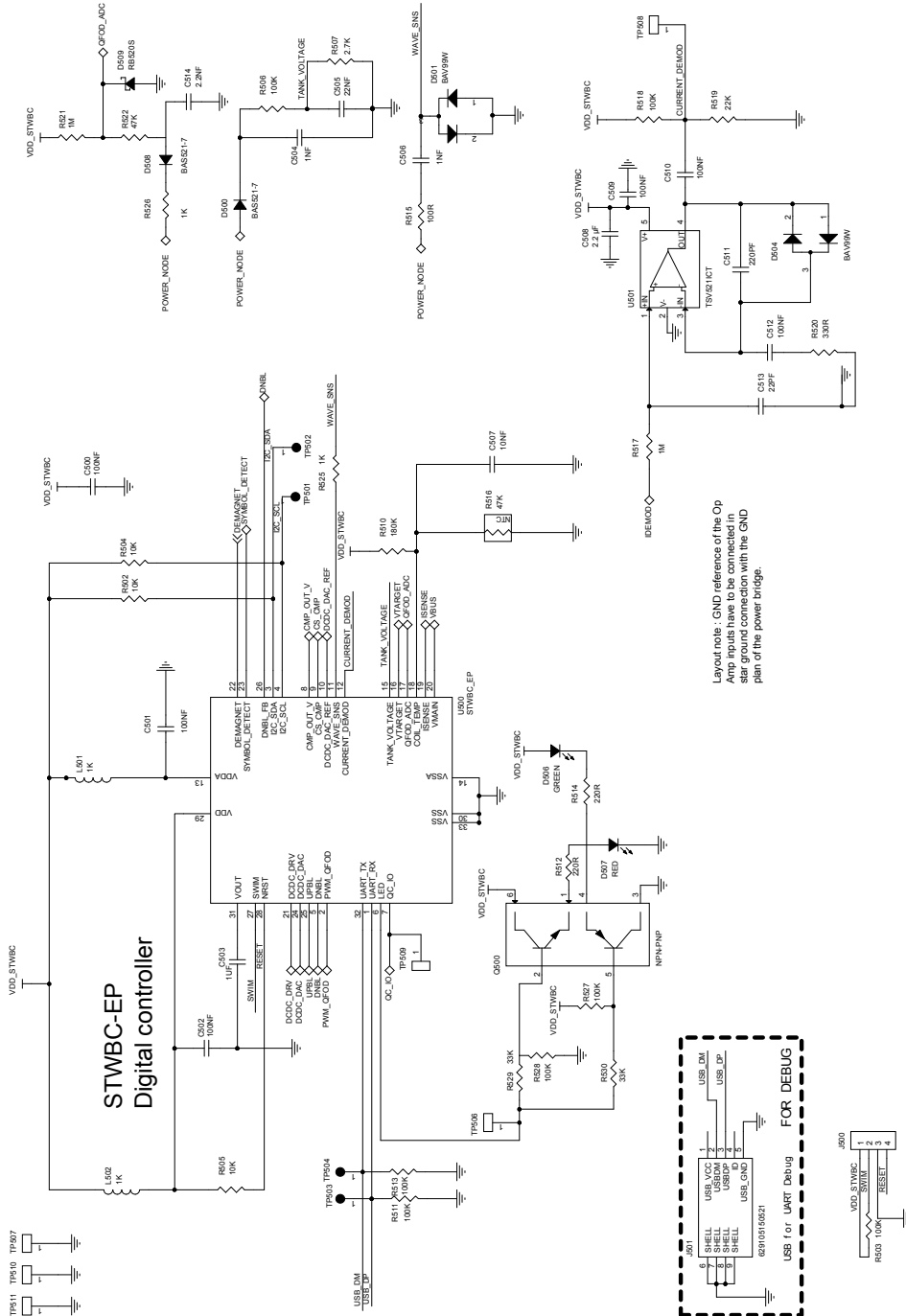
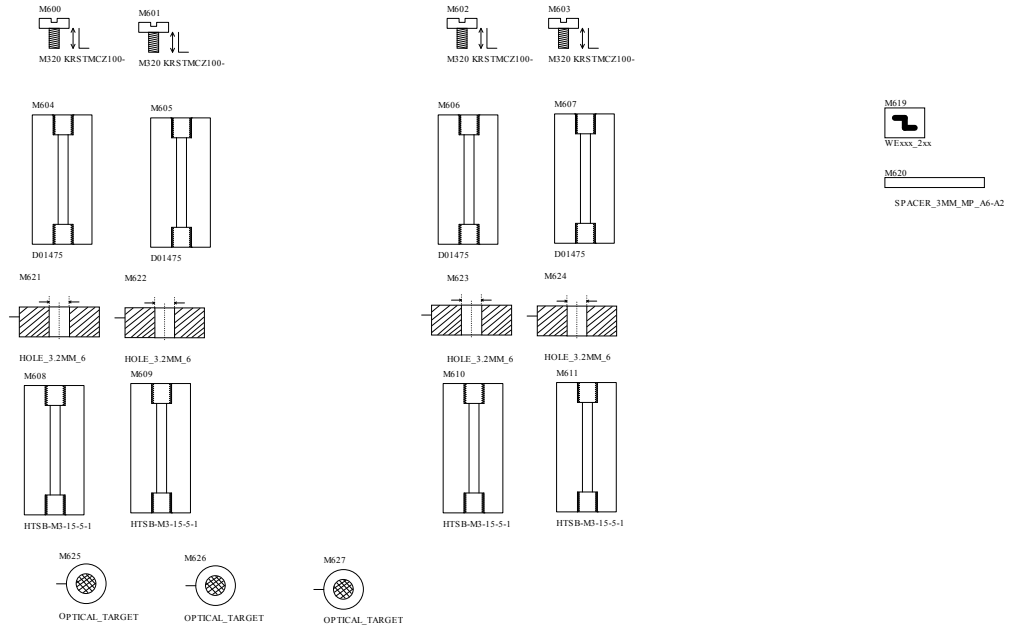
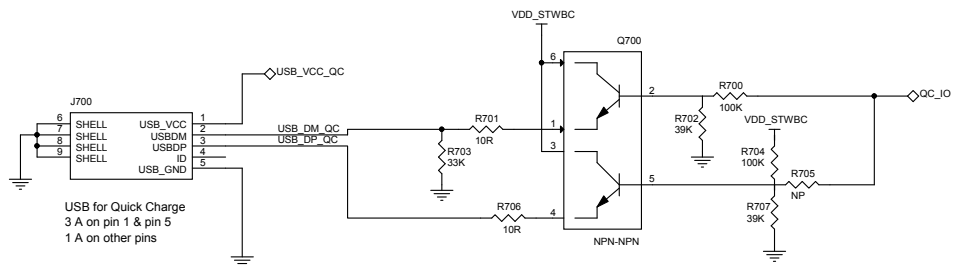
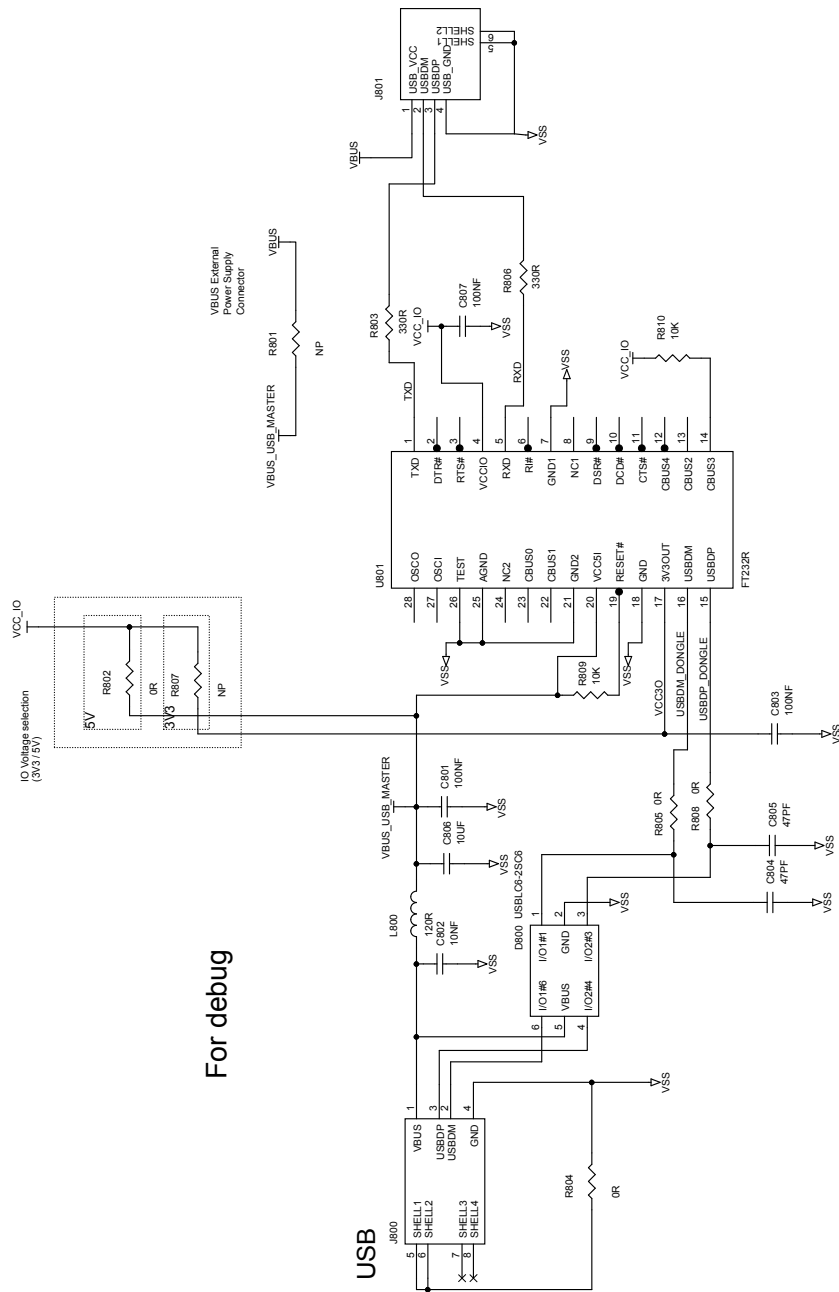
**Figure 3. STEVAL-ISB044V1 circuit schematic (3 of 8)**


Figure 4. STEVAL-IsB044V1 circuit schematic (4 of 8)



**Figure 5. STEVAL-ISB044V1 circuit schematic (5 of 8)**


**Figure 6. STEVAL-ISB044V1 circuit schematic (6 of 8)**

**Figure 7. STEVAL-ISB044V1 circuit schematic (7 of 8)**


**Figure 8. STEVAL-IsB044V1 circuit schematic (8 of 8)**




## Revision history

**Table 1. Document revision history**

Date	Version	Changes
09-Oct-2017	1	Initial release.
08-Feb-2018	2	Updated cover page image.

**IMPORTANT NOTICE – PLEASE READ CAREFULLY**

STMicroelectronics NV and its subsidiaries (“ST”) reserve the right to make changes, corrections, enhancements, modifications, and improvements to ST products and/or to this document at any time without notice. Purchasers should obtain the latest relevant information on ST products before placing orders. ST products are sold pursuant to ST’s terms and conditions of sale in place at the time of order acknowledgement.

Purchasers are solely responsible for the choice, selection, and use of ST products and ST assumes no liability for application assistance or the design of Purchasers’ products.

No license, express or implied, to any intellectual property right is granted by ST herein.

Resale of ST products with provisions different from the information set forth herein shall void any warranty granted by ST for such product.

ST and the ST logo are trademarks of ST. All other product or service names are the property of their respective owners.

Information in this document supersedes and replaces information previously supplied in any prior versions of this document.

© 2018 STMicroelectronics – All rights reserved