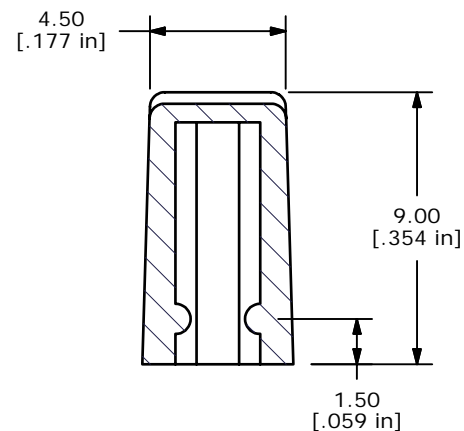
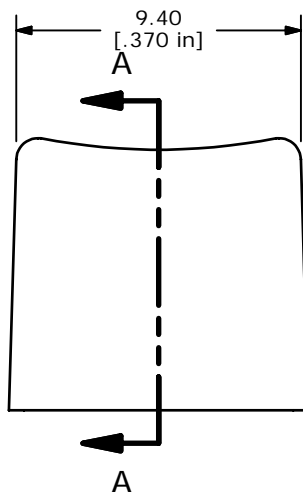
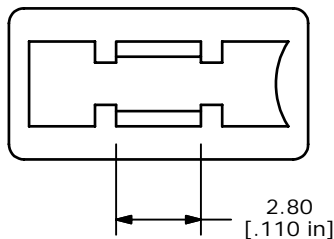


ISOMTRIC



SECTION A-A  
SCALE 4 : 1



- NOTES:
1. ALL DIMENSIONS IN MM [INCH]
  2. GENERAL TOLERANCE: X.XX=± 0.15
  - ▲ 3. MATERIAL: ABS, UL94V0
  - ▲ 4. COLOR: WHITE
  5. ▲ DENOTES CRITICAL PARAMETER.
  6. 2002/95/EC (ROHS) COMPLIANT

**E-SWITCH®**

B	15818	REMOVE PANTONE INFO.	2/23/06	PH
A	15646	RELEASED FOR PRODUCTION	1/3/06	PH
REV	PCR NO	DESCRIPTION	DATE	BY

TITLE 1CWHT				
SCALE 4:1	DATE 1/3/2006	DR PH	DWG Q800401	REV B

THE INFORMATION CONTAINED IN THIS DOCUMENT IS PROPRIETARY TO E-SWITCH AND IS NOT TO BE COPIED OR TRANSFERRED