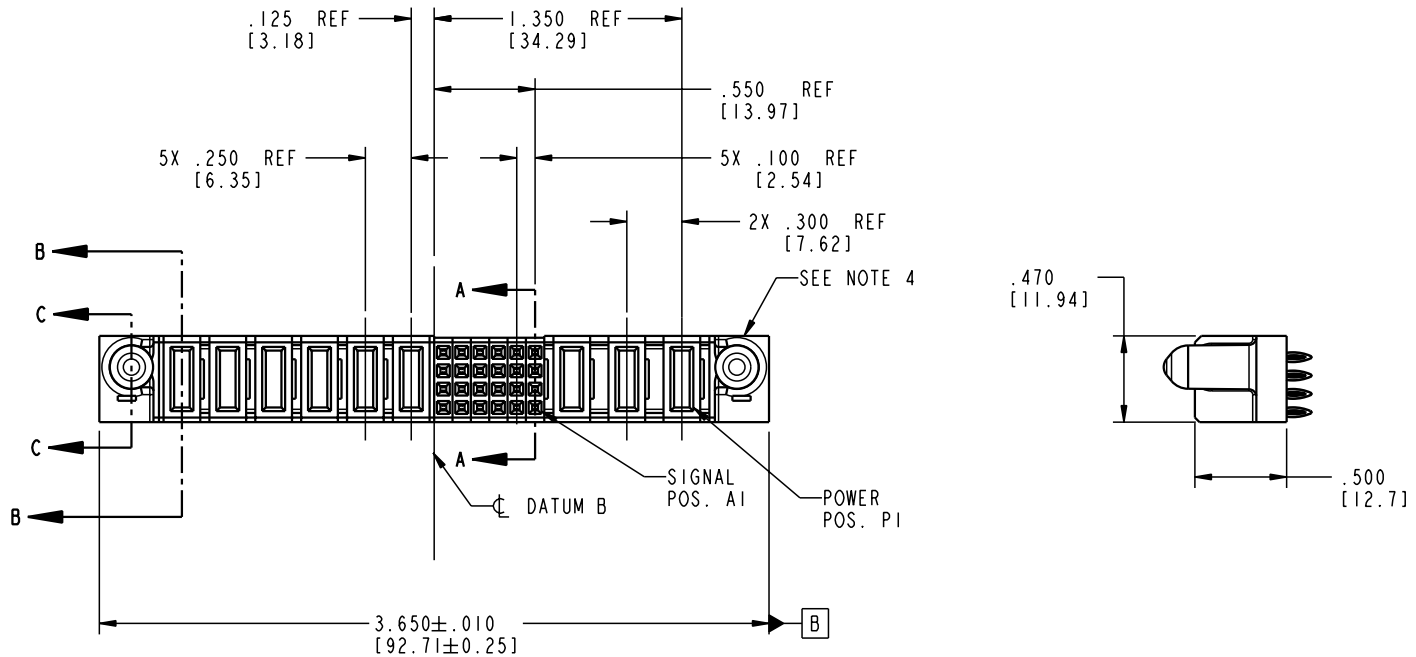


Tous droits strictement réservés. Reproduction ou communication a des tiers interdite sous quelque forme que ce soit sans autorisation écrite du propriétaire. Propriété de c FCI. Droits de reproduction FCI.



All rights strictly reserved. Reproduction or issue to third parties in any form whatever is not permitted without written authority from the proprietor. Property of FCI. Copyright FCI.

PRODUCT NO.	ROWS	POWER						SIGNAL					POWER			E1		
		E2	P9	P8	P7	P6	P5	P4	6	5	4	3	2	1	P3		P2	P1
51940-047	D C B A		PF	PF	PF	PF	PF	PF	PF	PF	PF	PF	PF	PF	PF	PF	PF	



CODE	DIM "M" MATING LENGTH	CONTACT TYPE
PF	.092 [2.34]	POWER
F	N/A [N/A]	SIGNAL
PC	.042 [1.07]	POWER

mat'l code				SEE NOTE 2		tolerances unless otherwise specified		CUSTOMER		 www.fciconnect.com	
ltr	ecn no.	dr	date	linear	.XX±.01/0.X±0.3		COPY		title		
A	V03-0705	MEM	6/25/03	angles	.XXX±.005/0.XX±0.13		projection		3ACP + 24S + 6P		
				dr	.XXX±.002/0.XX±0.051		 INCH/MM		VERTICAL PRESS FIT RECEPT		
				engr	0°±2°		scale		product family		code
				chr			1:1		PwrBlade		213
				appd					size		sheet
									dwg no		1 of 4
sheet index	revision sheet	A	A	A	A				A		
		1	2	3	4				51940-047		

cage code 22526

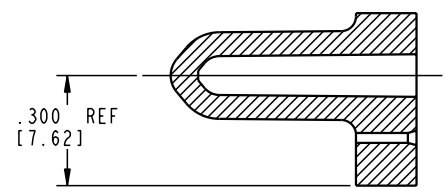
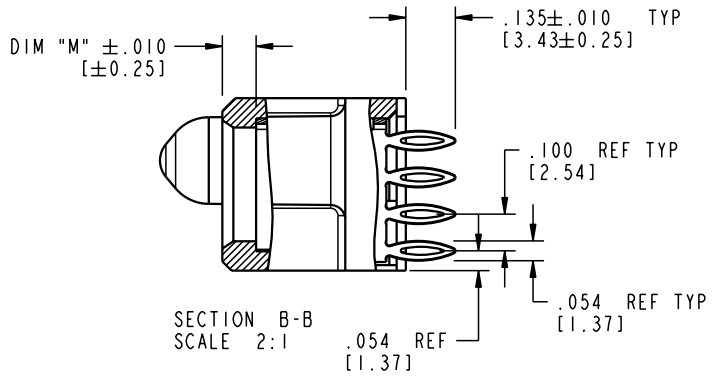
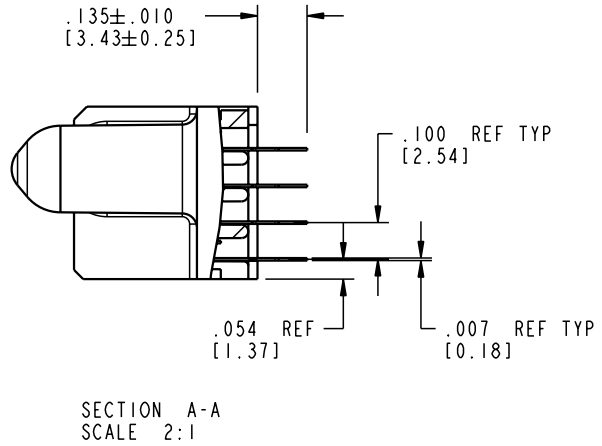
Pro/E

Tous droits strictement réservés. Reproduction ou communication a des tiers interdite sous quelque forme que ce soit sans autorisation écrite du propriétaire. Propriété de c FCI. Droits de reproduction FCI.

**A**  
**FCI**

All rights strictly reserved. Reproduction or issue to third parties in any form whatever is not permitted without written authority from the proprietor. Property of FCI. Copyright FCI.

PRODUCT NUMBER  
**51940-047**



mat'l code				SEE NOTE 2		tolerances unless otherwise specified		CUSTOMER		 www.fciconnect.com	
lfr	ecn no.	dr	date	linear	.XX±.01/0.X±0.3	COPY		projection		title	
A				angles	.XXX±.005/0.XX±0.13	INCH/MM				3ACP + 24S + 6P VERTICAL PRESS FIT RECEIPT	
				dr	.XXX±.0020/0.XXX±0.051	W. MOSTOLLER 6/25/03		product family		PwrBlade code	
				engr	0°±2°	W. MOSTOLLER 6/25/03		size		213	
				chr		H. BREWBAKER 6/25/03		dwg no		sheet	
				appd		W. MOSTOLLER 6/25/03		A		2 of 4	
sheet index		revision sheet									

cage code **22526**

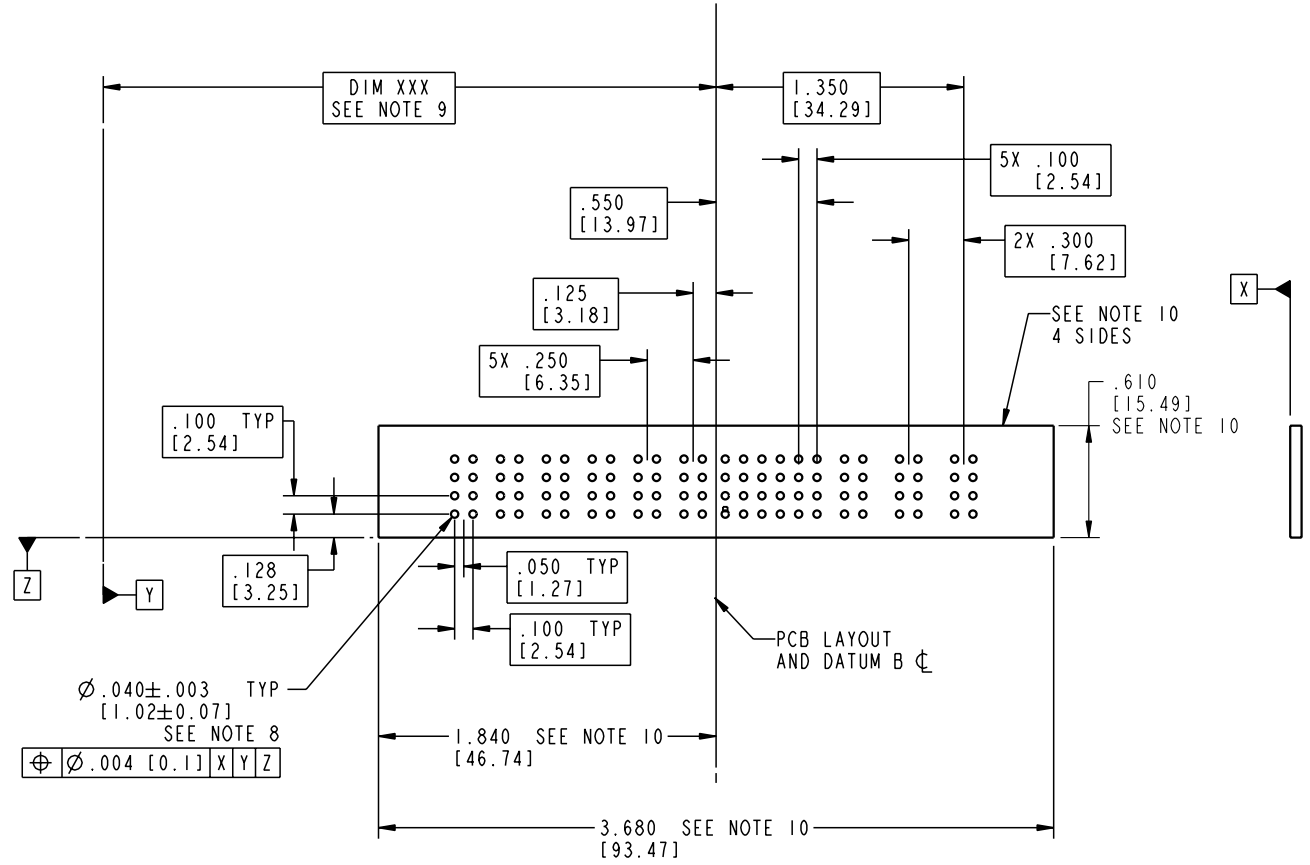
Pro/E

Tous droits strictement réservés. Reproduction ou communication a des tiers interdite sous quelque forme que ce soit sans autorisation écrite du propriétaire. Propriété de c FCI. Droits de reproduction FCI.

**FCI**

All rights strictly reserved. Reproduction or issue to third parties in any form whatever is not permitted without written authority from the proprietor. Property of FCI. Copyright FCI.

PRODUCT NUMBER  
**51940-047**



mat'l code		SEE NOTE 2		tolerances unless otherwise specified		CUSTOMER		<b>FCI</b> www.fciconnect.com	
ltr	ecr no.	dr	date	linear	.XX±.01/0.X±0.3	projection	title 3ACP + 24S + 6P		
A				angles	.XXX±.005/0.XX±0.13		VERTICAL PRESS FIT RECEPT		
				dr	.XXX±.002/0.XX±0.051	INCH/MM	product family	PwrBlade	code 213
				engr	0°±2°	scale	size	dwg no	sheet
				chr	0°±2°	1:1	A	51940-047	3 of 4
				appd	0°±2°				
sheet index	revision sheet								

cage code **22526**

Pro/E

Tous droits strictement réservés. Reproduction ou communication a des tiers interdite sous quelque forme que ce soit sans autorisation écrite du propriétaire. Propriété de c FCI. Droits de reproduction FCI.



All rights strictly reserved. Reproduction or issue to third parties in any form whatever is not permitted without written authority from the proprietor. Property of FCI. Copyright FCI.

1 | 2

3 |

4

PRODUCT NUMBER

51940-047

NOTES:

1. DIMENSIONS AND TOLERANCES ARE IN ACCORDANCE WITH ASME Y14.5M, 1994 UNLESS OTHERWISE SPECIFIED.

CONNECTOR NOTES:

2 HOUSING MATERIAL: UL 94 V-0 GLASS FILLED

HIGH-TEMP THERMOPLASTIC  
POWER CONTACT MATERIAL: COPPER ALLOY  
SIGNAL PIN MATERIAL: COPPER ALLOY

3. PLATING:  
SIGNAL PINS: 30u"/0.76um Au OVER 50u"/1.27um Ni  
POWER CONTACTS: 50u"/1.27um Ni UNDER ALL WITH 30u"/0.76um Au ON CONTACT AREA AND SnPb ON PCB INTERFACE

4 MANUFACTURER'S NAME, P/N, AND DATE CODE TO APPEAR ON THIS SURFACE.

5. PRODUCT SPECIFICATION GS-12-149.  
APPLICATION SPECIFICATION BUS-20-067.

PCB NOTES:

6. ALL HOLE DIAMETERS ARE FINISHED HOLE SIZE.  
7. MOUNTING HOLES, WHERE APPLICABLE, ARE UNPLATED.

8  $\varnothing .0453 \pm .0010$  [1.151  $\pm$  0.025] DRILLED HOLES PLATED WITH .0003 [0.008] MIN SnPb OVER .001 [0.03] TO .003 [0.08] Cu PLATING TO ACHIEVE  $\varnothing .040 \pm .003$  [1.02  $\pm$  .07] HOLE.

9 "DIM XXX" TO BE DETERMINED BY THE CUSTOMER.

10 CONNECTOR KEEP-OUT ZONE.

mat'l code				SEE NOTE 2		tolerances unless otherwise specified		CUSTOMER		 www.fciconnect.com	
ltr	ecn no.	dr	date	linear	.XX±.01/0.X±0.3	projection	COPY		title		
A				angles	.XXX±.005/0.XX±0.13	 INCH/MM	product family		3ACP + 24S + 6P		
				dr	.XXX±.0020/0.XXX±0.051		PwrBlade		VERTICAL PRESS FIT RECEPT		
				engr	0°±2°	scale	size		code		
				chr	M. MOSTOLLER 6/25/03	1:1	dwg no		213		
				appd	H. BREWBAKER 6/25/03		A		sheet		
					M. MOSTOLLER 6/25/03		51940-047		4 of 4		
sheet index	revision sheet										

1 | 2

Pro/E

3 |

cage code 22526

4