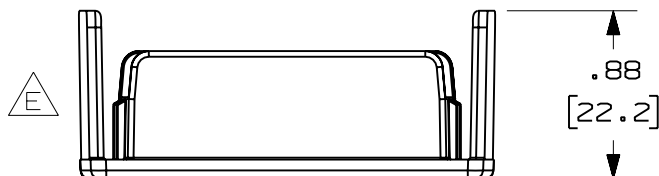


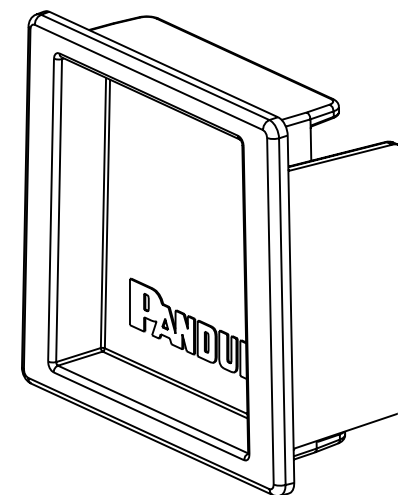
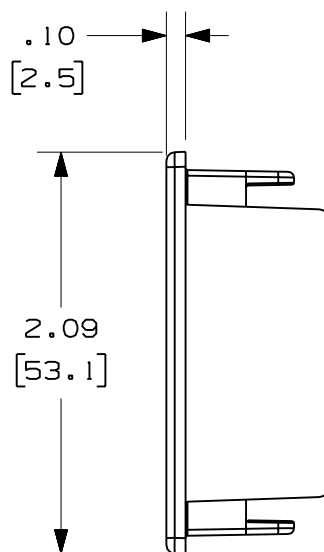
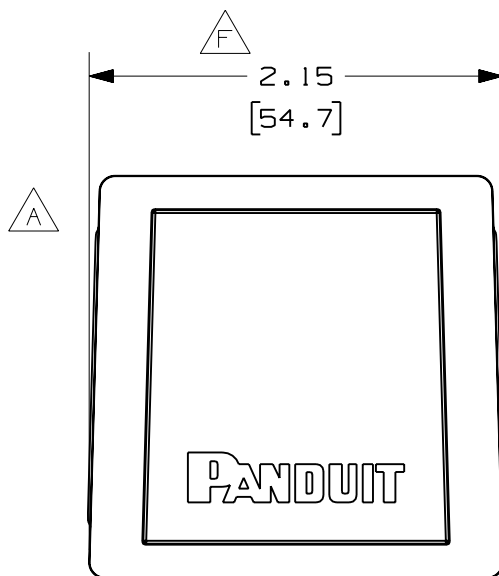
THIS COPY IS PROVIDED ON A RESTRICTED BASIS AND IS NOT TO BE USED IN ANY WAY DETRIMENTAL TO THE INTERESTS OF PANDUIT CORP.

PANDUIT PART NUMBER	WEIGHT
FEC2X2	0.03 LB/EACH (15g/EACH)



NOTES:

1. SEE CURRENT CATALOG FOR ADDITIONAL PART SUFFIXES TO INDICATE COLOR AND/OR PACKAGE QUANTITY.
2. DIMENSIONS IN PARENTHESES ARE IN METRIC.



ENG. REF.: D35245CB\_DC\_FEC2X2\_02.prt

CAD FILENAME/LAYERS FEC2X2.pdf

-	-----	---	---	H. REVISED GENERAL NOTES.	-----	--	--			
-	-----	---	---	G. REVISED MATERIAL. F. REVISED DIMENSION	-----	--	--			
-	-----	---	---	E. ADDED TOP VIEW D. REVISED PART WEIGHT	-----	--	--			
2	6-21-06	DTP	RN	C. REVISED CAD FILENAME B. REVISED DRAWING TITLE	35245-28	RN	RN			
1	5-15-97	JBA	CEF	A. REPOSITIONED PART AND PANDUIT LOGO.	35245-28	CEF	CEF			
R	1-17-97	RCA	CEF	RELEASED TO PRODUCTION	35245-28	CEF				
REV	DATE	BY	CHK	DESCRIPTION	ECN	R	CUST	SUP	GMBH	

<b>PANDUIT</b> CORP		TINLEY PARK, ILLINOIS	
<b>FIBER-DUCT 2x2 END CAP (FEC2X2)</b>			
CUSTOMER DRAWING			
UNLESS OTHERWISE SPECIFIED, DIMENSIONAL TOLERANCES ARE: (.X) ± (XXX) ± (.XX) ± .03 (.8) ANGLES ±		UNLESS OTHERWISE SPECIFIED, ALL DIMENSIONS ARE GIVEN IN INCHES, THIRD ANGLE PROJECTION.	
DRAWN BY RCA	MAT'L: ABS	SCALE NONE	DWG A
DATE 1-17-97		DRAWING NO. 35245-28	SIZE A
CHK'D CEF			