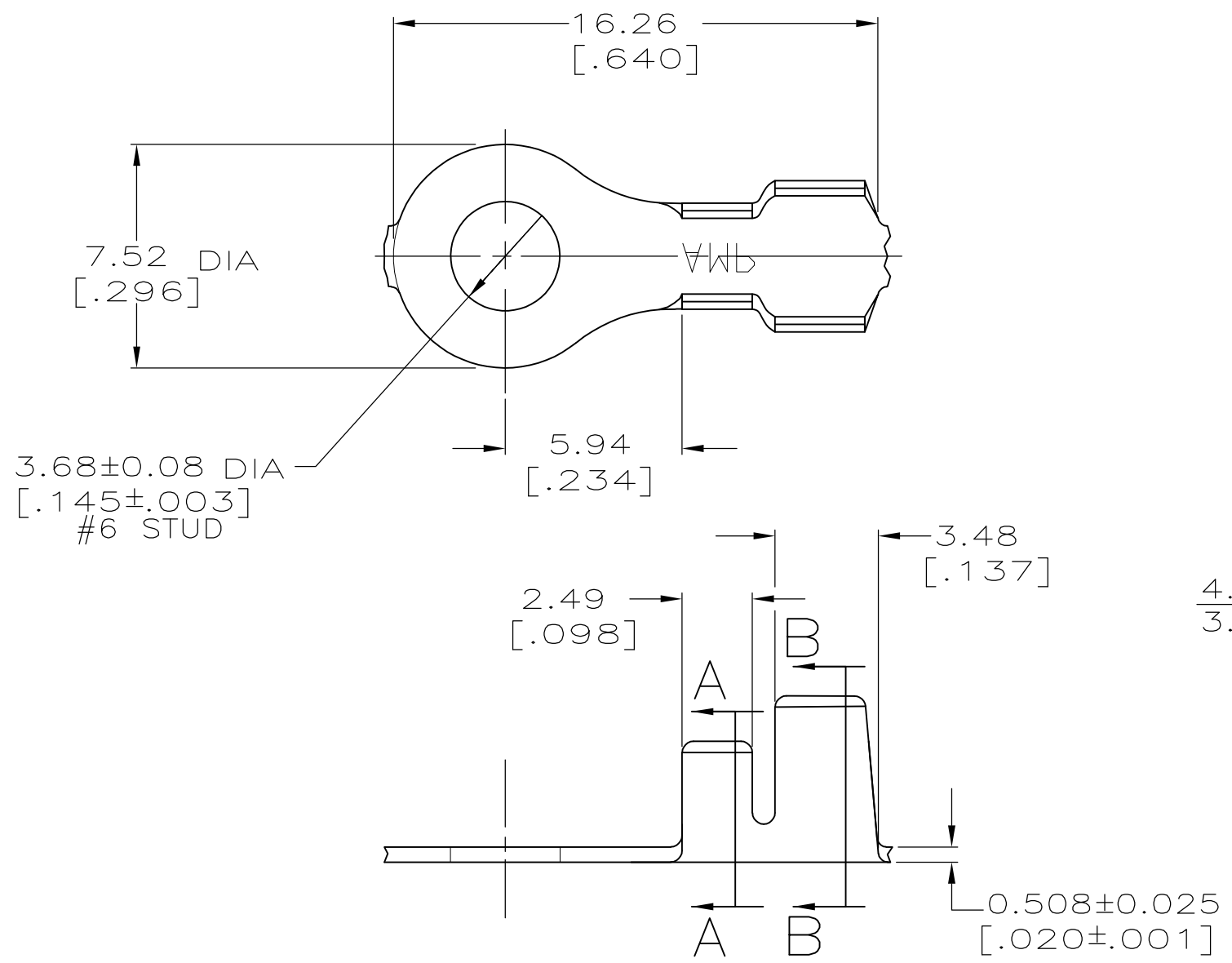
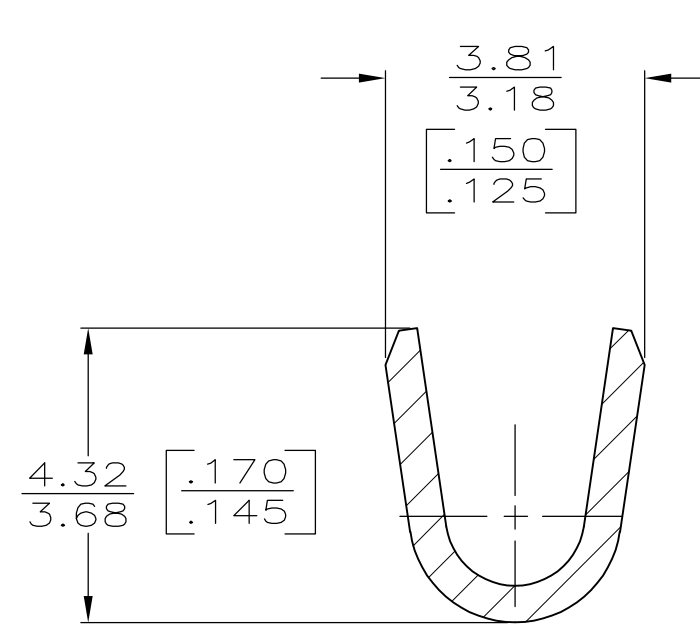


THIS DRAWING IS UNPUBLISHED. RELEASED FOR PUBLICATION
 © COPYRIGHT BY TYCO ELECTRONICS CORPORATION. ALL INTERNATIONAL RIGHTS RESERVED.

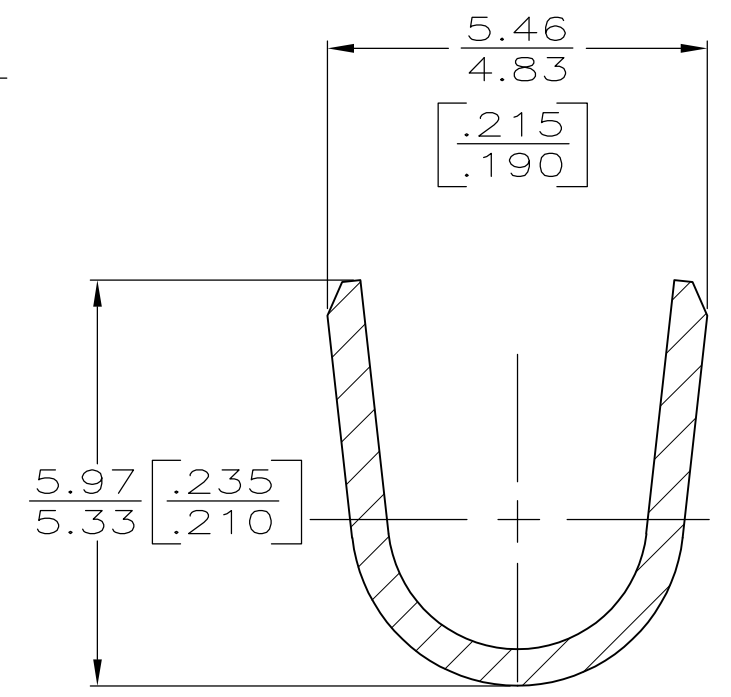
LOC	DIST	REVISIONS					
AF	50	P	LTR	DESCRIPTION	DATE	DWN	APVD
		P		REVISED PER ECR-08-007819	19NOV08	HMR	DD



1 CONTINUOUS STRIP ON REEL.
 2 PRELIMINARY - NOT FOR PRODUCTION.



SECTION A-A
SCALE 10:1



SECTION B-B
SCALE 10:1

-	3.05-4.32 DIA [.120-.170]	0.8-2.0mm [18-14] AWG	2 41330-1
TIN PLATING	3.05-4.32 DIA [.120-.170]	0.8-2.0mm [18-14] AWG	41330
FINISH	INSULATION RANGE	WIRE RANGE	PART NO

F OR O	4.57 [.180]	4.06 [.160]	F	3.05 [.120]	2.03[.080]	2.0mm²[14]
					1.83[.072]	1.3mm²[16]
					1.70[.067]	0.8mm²[18]
TYPE	WIDTH	STRIP LENGTH ±0.38 [±.015]	TYPE	WIDTH	±0.051[±.002] HEIGHT	WIRE
INSUL BARREL CRIMP			WIRE BARREL CRIMP			

THIS DRAWING IS A CONTROLLED DOCUMENT.
 DIMENSIONS: mm [INCHES]
 TOLERANCES UNLESS OTHERWISE SPECIFIED:
 0 PLC ± -
 1 PLC ± -
 2 PLC ± 0.25 [.010]
 3 PLC ± -
 4 PLC ± -
 ANGLES ± -
 MATERIAL: 082 BRASS
 FINISH: SEE TABLE

DWN P FORTNEY 7/22/91
 CHK MS FEHER 8/8/91
 APVD G YETTER 8/12/91
 Tyco Electronics
 Tyco Electronics Corporation
 Harrisburg, PA 17105-3608
 RING
 SIZE A3 CAGE CODE 00779 DRAWING NO C-41330
 WEIGHT -
 CUSTOMER DRAWING
 SCALE 5:1 SHEET 1 OF 1 REV P