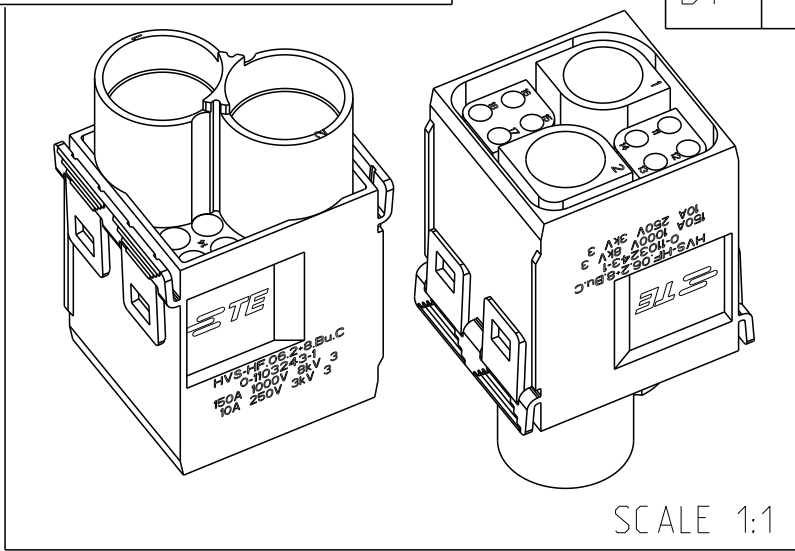
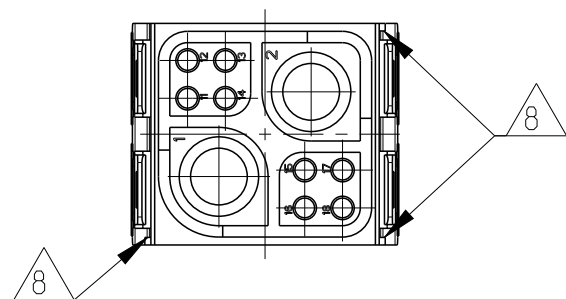


P	LTR	DESCRIPTION	DATE	DWN	APVD
	D	ECR-15-007353	01JUN2015	GSK	JB

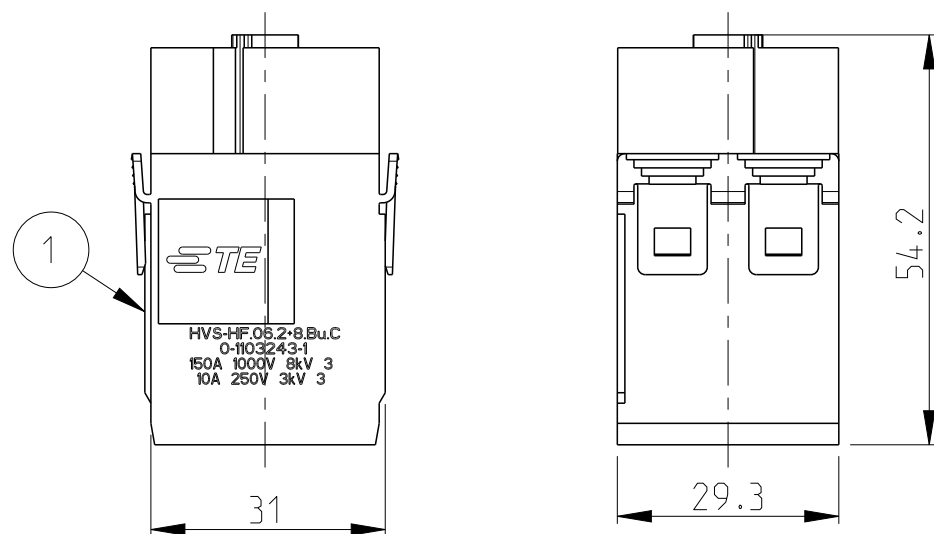
NOTES

- 1 SUITABLE CRIMP CONTACTS: SERIES HN.D
CUSTOMER DRAWING: 1105051
OUTER DIMENSIONS OF INSULATION: MAX. Ø4mm
- 2 SUITABLE CONTACTS: SERIES HF.06
CUSTOMER DRAWING: 1110949
OUTER DIMENSIONS OF INSULATION: MAX. Ø15mm
- 3 SUITABLE CRIMP BARRELS: SERIES HF.06/08
CUSTOMER DRAWING: 1108807
- 4 SUITABLE MODULE FIXING FRAME: SERIES HVS SIZE 3 TO 8
CUSTOMER DRAWING: 1103250
- 5 SUITABLE INSERTION TOOL:
CUSTOMER DRAWING: 1102855
- 6 SUITABLE EXTRACTION TOOL:
CUSTOMER DRAWING: 1102855
- 7 STANDARDS:
DIN EN 61984; DIN EN 60664-1
- 8 POLARIZATION RIBS
- 9 MARKING OF POLARIZATION ACCORDING TO MARKING OF
MODULE FRAME
- 10 PACKAGING:
10 PIECES IN A CARTON

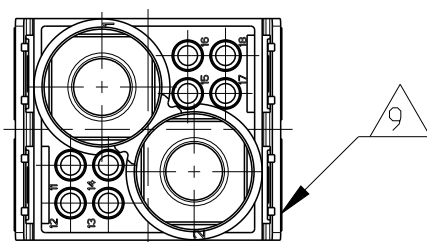
CONTACT ARRANGEMENT VIEW FROM CONNECTING SIDE



SCALE 1:1



CONTACT ARRANGEMENT VIEW FROM TERMINATION SIDE



PN 0-1 AS SHOWN

QTY	DESCRIPTION	MATERIAL	COLOR	NOTE	ITEM NO
1	FEMALE INSERT	PBT-GF10	LIGHT GREY	HVS-HF.06.Bu	1
HVS-HF.06.2+8.Bu.C					

THIS DRAWING IS A CONTROLLED DOCUMENT.		DWN	14.02.2006	TE Connectivity FEMALE INSERT HVS-HF.06.2+8.BU.C	
DIMENSIONS: mm		CHK	14.02.2006		
TOLERANCES UNLESS OTHERWISE SPECIFIED:		APVD	14.02.2006		
0 PLC ± 1 PLC ± 2 PLC ± 3 PLC ± 4 PLC ± ANGLES ±		NAME	T.SCHNURPFIL		
MATERIAL		PRODUCT SPEC	108-74024	SIZE	A3
FINISH		APPLICATION SPEC	-	CAGE CODE	00779
 		WEIGHT	-	DRAWING NO	©=1103243
		CUSTOMER DRAWING		RESTRICTED TO	
		SCALE	5:1	SHEET	1 OF 1
		REV	D		