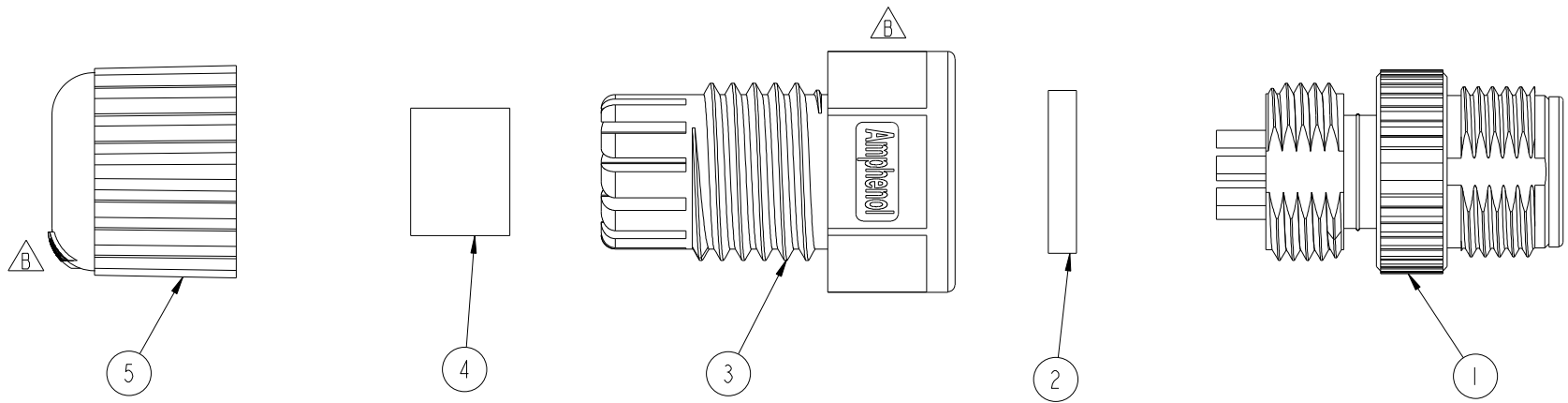
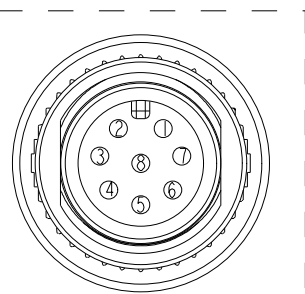


REV.	ECN NO.	DATE	SIGN	DESCRIPTION
B	LEN13B0303	2013-11-15	Lu Di	Change LOGO

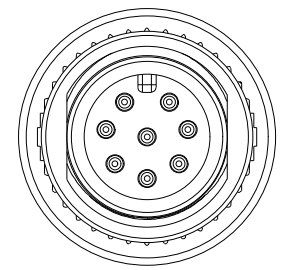
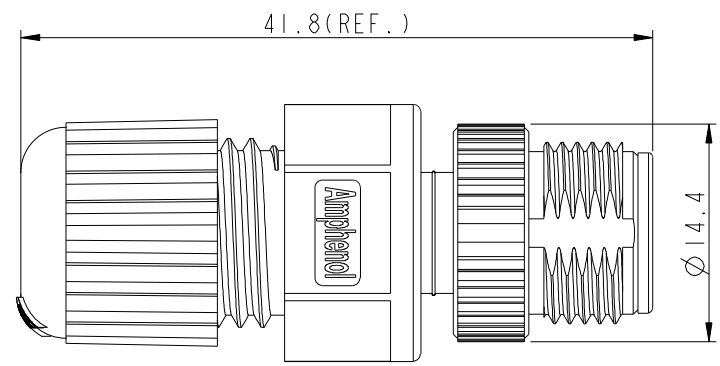


ALTW
CONFIDENTIAL
2013-11-15
R&D DEPT.

ALTW
DCC. DEPT.
CONFIDENTIAL
2013.11.29
ISSUED



Pin Assignments
Front View



Conn.

- Note:
- * \varnothing Important Dimension To Check.
 - * Waterproof Rate: IP68
 - * Housing: Black, Nylon+GF
 - * Pin: Copper Alloy, Gold Plated
 - * Nut: Zinc Alloy, Nickel Plated
 - * Gasket: Black, EPDM
 - * Clamp Ring: Black, Nylon
 - * Sealing Nut: Black, Nylon
 - * Seals: Black, EPDM
 - * Seal For Cable OD: \varnothing 4.5mm~ \varnothing 6.5mm

UNIT:mm		TITLE M12 Conn Assy Screw 8Pin M Conn M Pin			ITEM NO 12-08BMMA-SL8001		DRAWN BY Di_Lu	DATE 2013-11-15	
		SCALE 2:1		SIZE A4	SHEET 1 OF 1		CHECKED BY Mafei	DATE 2013-11-15	
		REV. B	WC-REV. A.3	QC: Inspection item		CUSTOMER ALTW		APPROVED BY Jerry	DATE 2013-11-15
		<h1>Amphenol LTW</h1> <p>安費諾亮泰企業股份有限公司</p>							

THIS DOCUMENT IS SUBJECT TO CHANGE WITHOUT NOTICE. IT IS CONFIDENTIAL AND A PROPERTY OF Amphenol LTW. DISCLOSURE TO THIRD PARTY HAS TO BE AUTHORIZED BY Amphenol LTW.