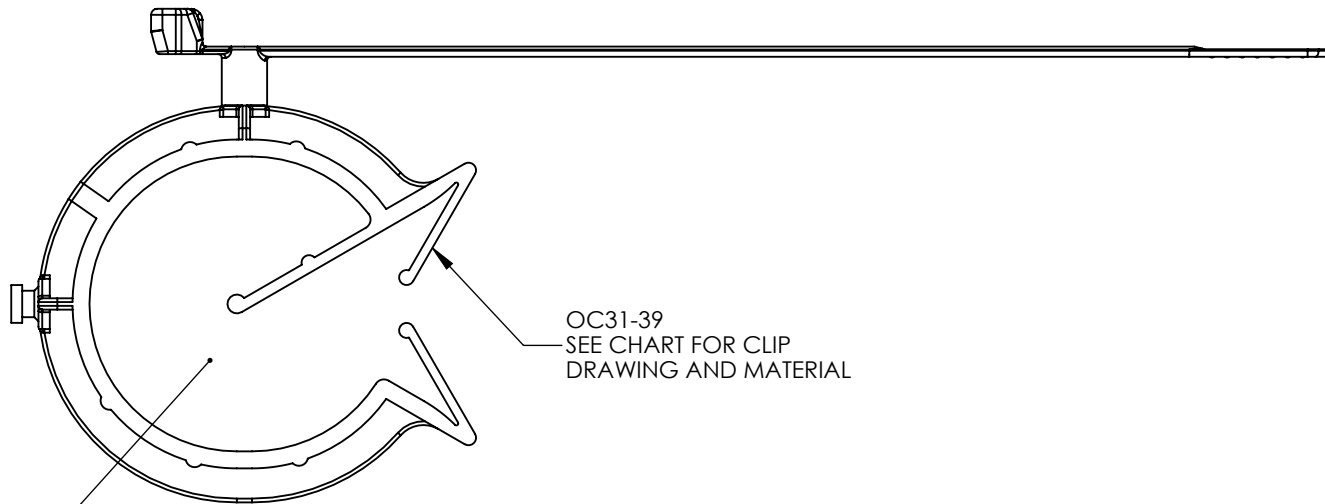
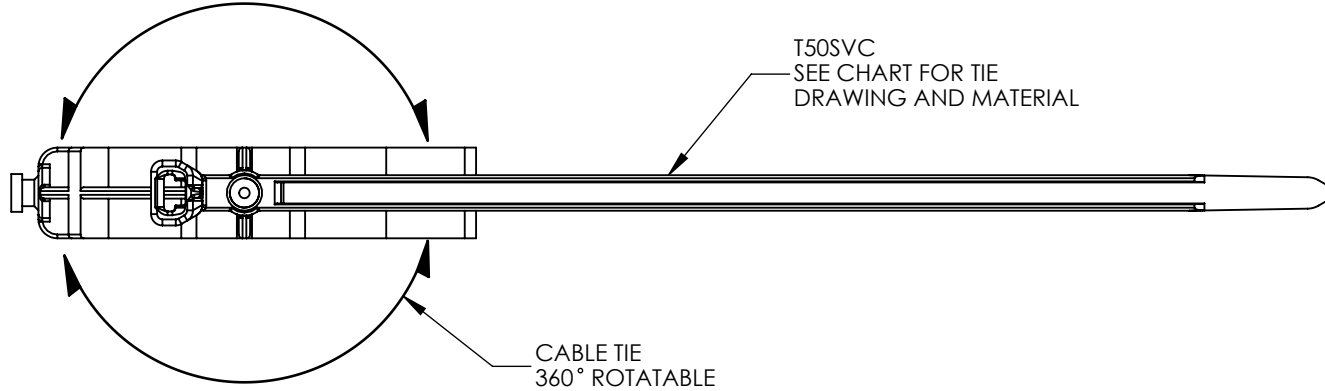


SW2011



Revision level			Revision Record	Changed	Date	Approved	Date
Drawing	State	Part					
01.1	Design Release	-	SEE ECN# 012883	AAC	11/19/14	KAC	11/19/14



TYPE	BUNDLE DIAMETER	CABLE TIE		CLIP	
		DRAWING	MATERIAL	DRAWING	MATERIAL
T50SVCOC31-39	2 to 35	14-0606-001-CSU	PA66HS	06-0210-001-CSG-HTIC	PA66IMHS

Material SEE CHART	Units: millimeters	The copyright of this drawing is reserved by HellermannTyton. It is issued on condition that it is not reproduced, copied, or disclosed to a third party, either wholly or in part, without the consent of HellermannTyton.	Drawn	AAC	11/18/14	Article/Type-No T50SVCOC31-39	Scale	1:1	
	Dimension without tolerances details to: .xxx = ±.013 .xx = ±.13 .x = ±.3 None = ±.8 ∠ = ±0.5° Dimension Formatted mm/[in]		Approved	KAC	11/18/14		Title T50SVCOC31-39 T50SVC CABLE TIE WITH OMEGA CLIP 31-39	Project Number PRP 06-0210	
	<p>North America Email: corp@htamericas.com Web: www.hellermann.tyton.com</p>			Drawing-No	Production : Phase			Format	AH
							06-0210-002-CSU		Sheet