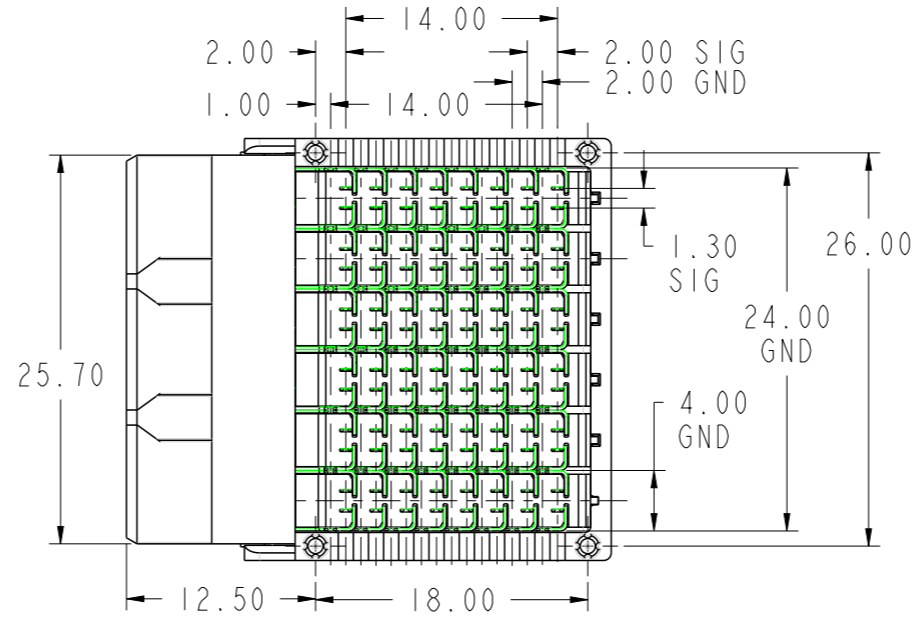
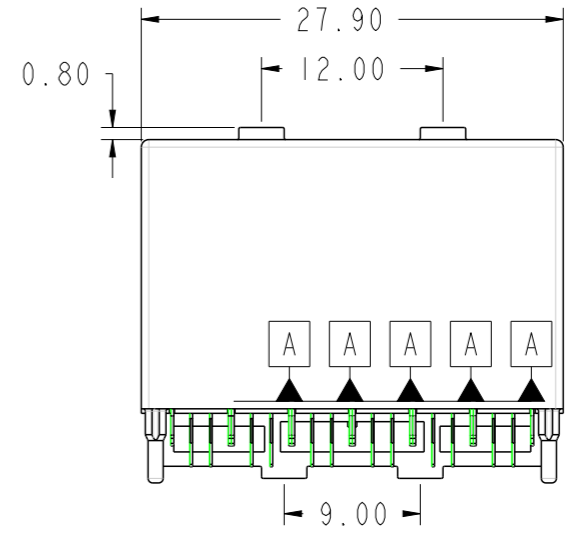
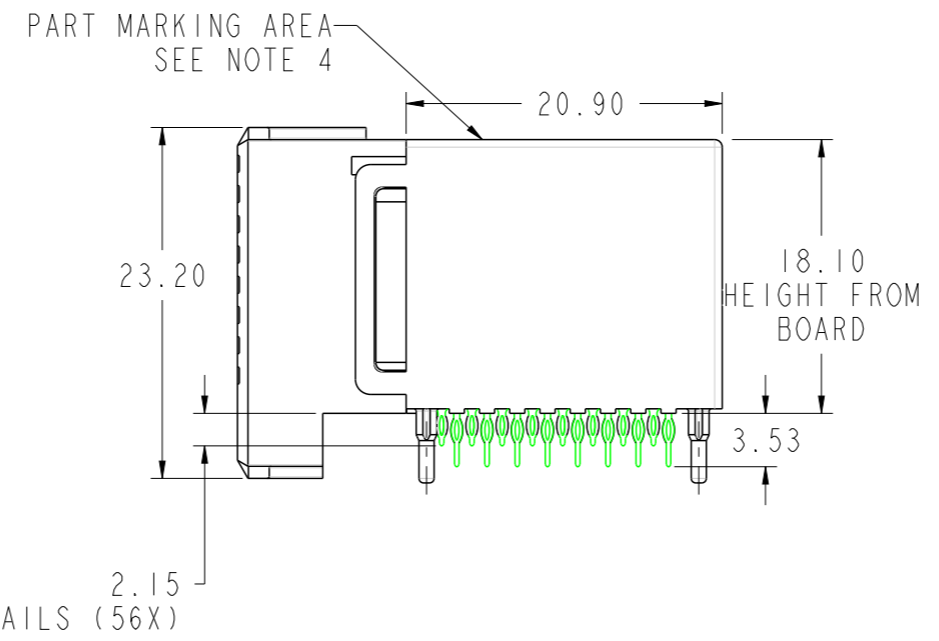
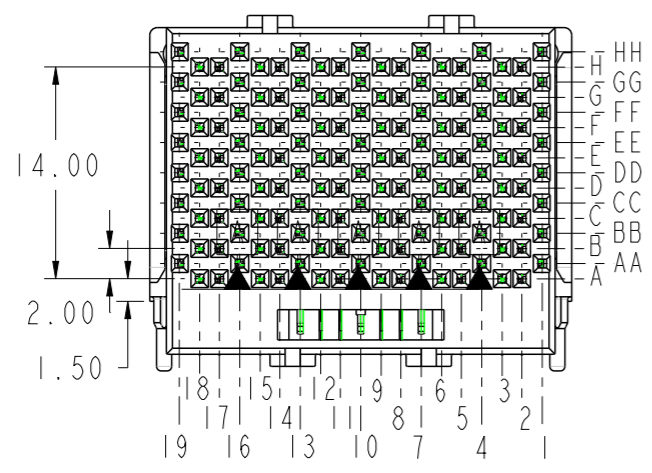


PRODUCT NUMBER	PCB THICKNESS
58347-112LF	>= 2.40



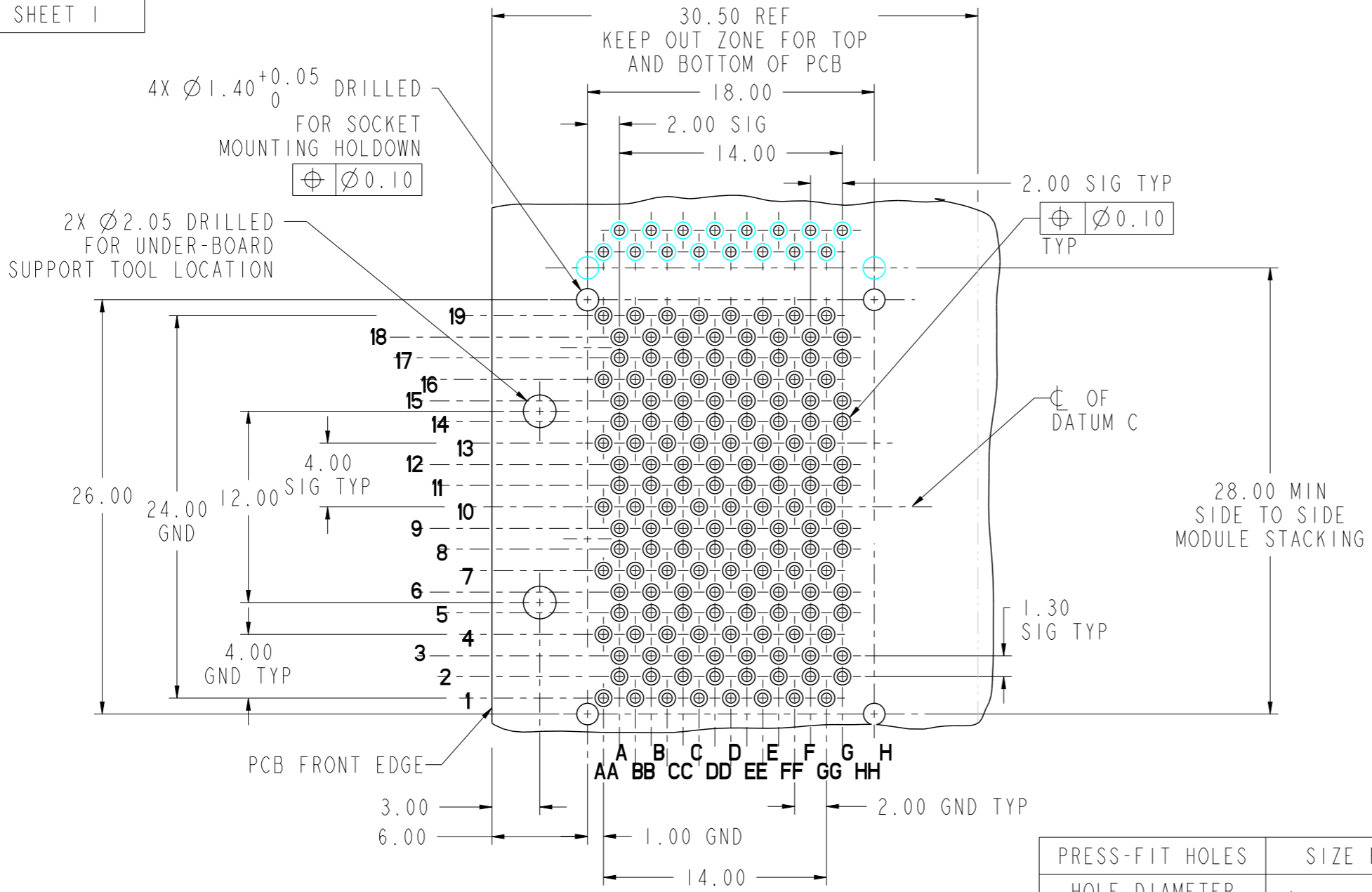
- NOTES:
1. BODY MATERIAL: LCP, 30% GF
FLAME RETARDANT ACC. UL 94-V0.
 2. CONTACT MATERIAL: COPPER ALLOY
 3. PLATING ON PRESS FIT TAIL: Sn (LEAD FREE)
PLATING IN CONTACT AREA MEETS TELCORDIA
CENTRAL OFFICE PERFORMANCE LEVEL.
 4. PRODUCT MARKING: PART NUMBER
AND BATCH ID.
 5. SEE GS-20-012 FOR APPLICATION TOOLING.
 6. THE PRODUCTS MEET THE EUROPEAN UNION DIRECTIVES
AND OTHER COUNTRY REGULATIONS AS DESCRIBED
IN GS-22-008.
 7. THIS PRODUCT WILL WITHSTAND EXPOSURE TO
260°C FOR 10 SECONDS IN A CONVECTION,
INFRA-RED OR VAPOR PHASE REFLOW OVEN,
IF IN A DRY ATMOSPHERE.

spec ref	-	dr	wcadmin	2001/07/03	projection	mm	size	A3	scale	2:1		
tolerance std	ASME Y14.5	eng	Dave Horchler	2010/05/04			ecn no	ELX-V-001162-1				
	TOLERANCES UNLESS OTHERWISE SPECIFIED	chr	Dave Horchler	2010/05/05				product family	METRAL(tm)	rel level	Released	
surface	3.2	appr	Dave Horchler	2010/05/05							METRAL 3000 R. A.	
					RECEPT. ASSY-8X6-28MM		Product - Customer Drw		sheet 1 of 4			



Copyright FCI.

PRODUCT NUMBER
SEE SHEET 1

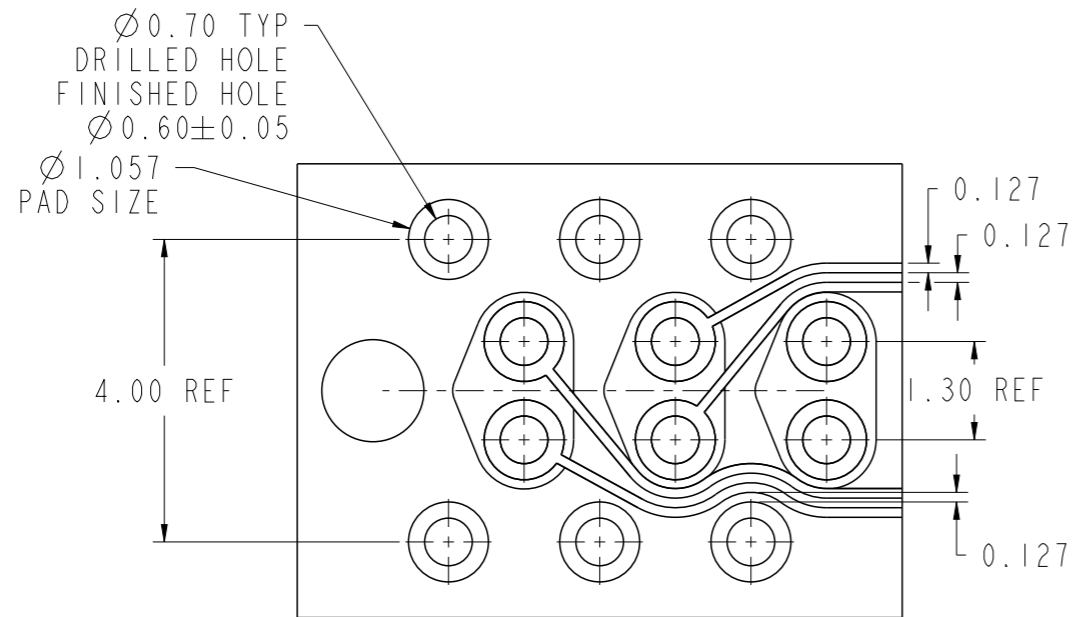


PRESS-FIT HOLES	SIZE RANGE	IMMERSION Sn	IMMERSION Ag	IMMERSION Au
HOLE DIAMETER AFTER PLATING	Ø0.55 - Ø0.65	0.58-0.68	0.58-0.68	0.58-0.68
DRILLED HOLE	Ø0.675 - Ø0.725	0.71-0.76	0.71-0.76	0.71-0.76
COPPER PLATING	0.025 MIN	0.025-0.05	0.025-0.05	0.025-0.05
NICKEL PLATING				0.003-.007
SnPb PLATING	0.005 - 0.015	-		
IMMERSION Sn		0.9-1.5um		
IMMERSION Ag			0.15-0.65um	
IMMERSION Au				FLASH UP TO 0.002

spec ref	-	dr	wcadmin	2001/07/03	projection	mm	size	A3	scale	1:1
tolerance std	ASME Y14.5	eng	Dave Horchler	2010/05/04			ecn no	ELX-V-001162-1	rel level	Released
TOLERANCES UNLESS OTHERWISE SPECIFIED		chr	Dave Horchler	2010/05/05						
surface	3.2	appr	Dave Horchler	2010/05/05						
linear	0.X	±0.3			product family METRAL(tm)	METRAL 3000 R. A. RECEPT. ASSY-8X6-28MM	dwg no 58347	rev M		
	0.XX	±0.13								
	0.XXX	±0.050								
angular	0°	±2°	www.fci.com	cat. no.	-	Product - Customer Drw	sheet 2 of 4			

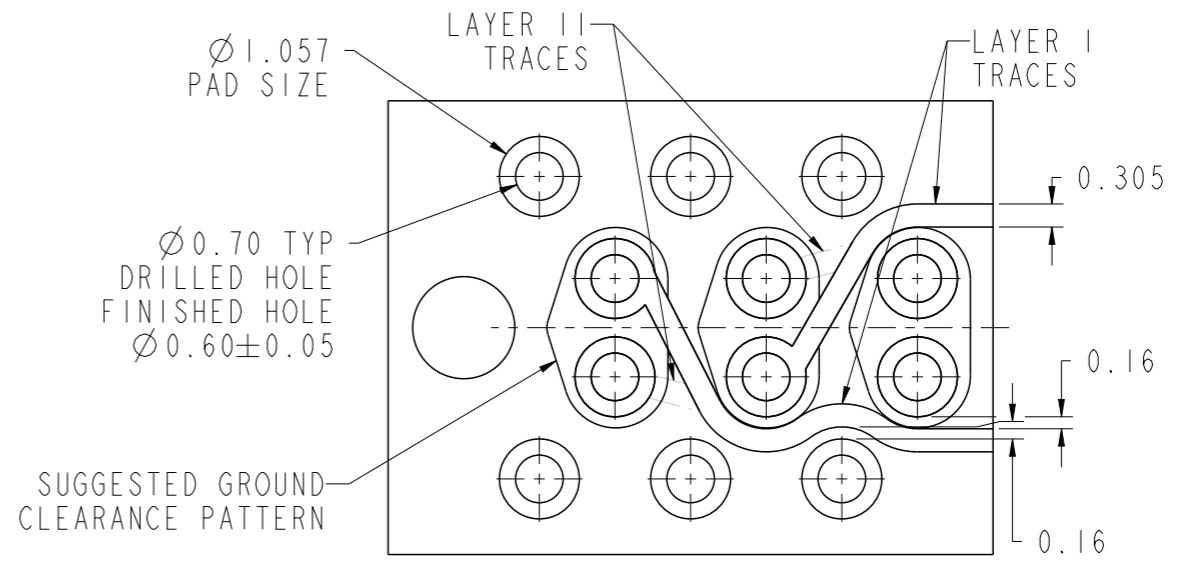
Copyright FCI.

PRODUCT NUMBER
SEE SHEET 1



OPTION A (EDGE COUPLED)
DIFFERENTIAL
PCB TRACE LAYOUT

- 0.127 mm [0.005 in] TRACES MAX. WITH 0.127 mm [0.005 in] GAPS
- 4 TRACES (2 PAIRS) PER LAYER



OPTION B (BROADSIDE COUPLED)
DIFFERENTIAL
PCB TRACE LAYOUT

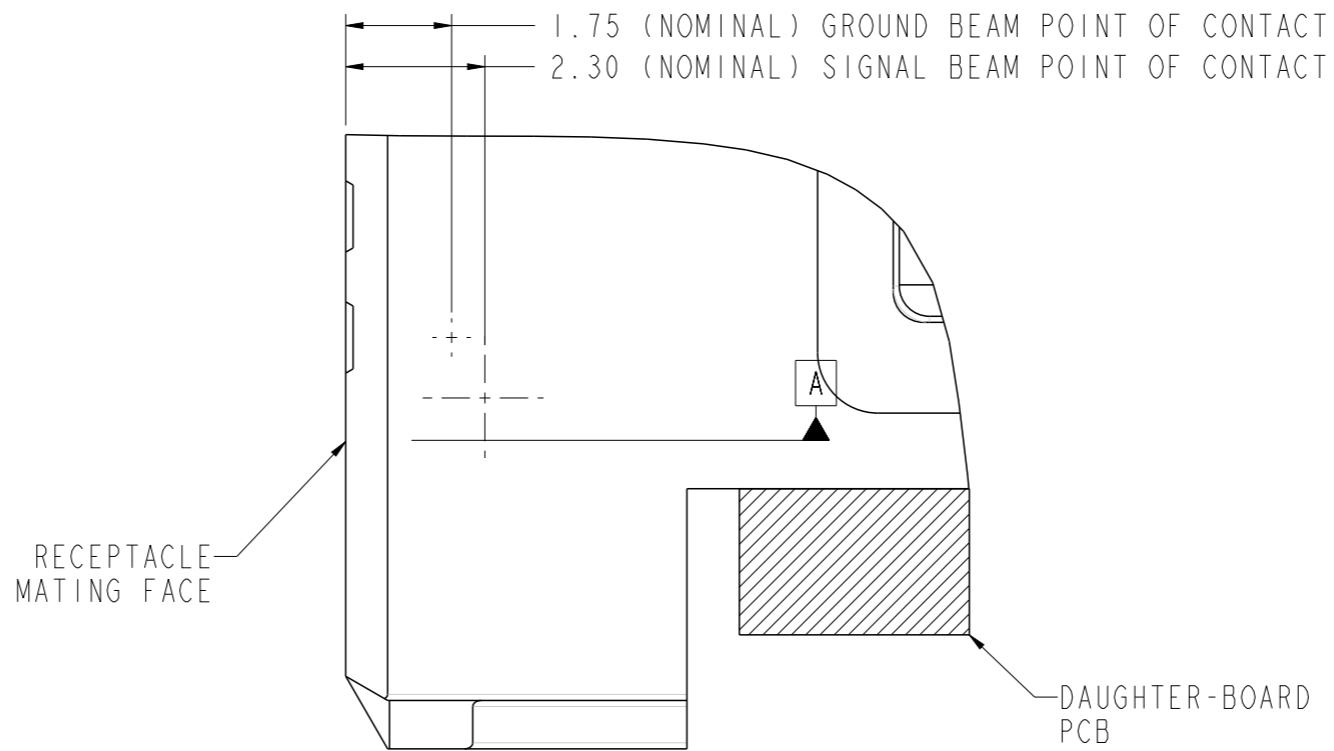
- UP TO 0.305 mm [0.012 in] TRACES MAX WITH 0.16 mm [0.006 in] GAPS
- 2 TRACES PER LAYER

spec ref	-			dr	wcadmin	2001/07/03	projection	mm	size	A3	scale	1:1		
tolerance std	ASME Y14.5			eng	Dave Horchler	2010/05/04			ecn no			ELX-V-001162-1		
TOLERANCES UNLESS OTHERWISE SPECIFIED			chr	Dave Horchler	2010/05/05	product family			METRAL(tm)	rel level	Released			
surface	3.2	linear	0.X	±0.3	appr	Dave Horchler			2010/05/05	METRAL 3000 R. A.			dwg no	58347
ASME Y14.5		angular	0°	±2°	www.fci.com		cat. no.	-	Product - Customer Drw			sheet 3 of 4		



Copyright FCI.

PRODUCT NUMBER
SEE SHEET 1



Copyright FCI.

spec ref -		dr	wcadmin	2001/07/03	projection	mm	size	A3	scale	8:1		
tolerance std	ASME Y14.5	TOLERANCES UNLESS OTHERWISE SPECIFIED			eng	Dave Horchler	2010/05/04	ecn no ELX-V-001162-1				
		chr	Dave Horchler	2010/05/05	product family		METRAL(tm)	rel level Released				
surface	3.2	linear	0.X	±0.3	 METRAL 3000 R. A. RECEPT. ASSY-8X6-28MM		dwg no		58347	rev	M	
			0.XX	±0.13			cat. no.		Product - Customer Drw		sheet 4 of 4	
		angular	0°	±2°			www.fci.com		STATUS: Released		Printed: Dec 01, 2010	