

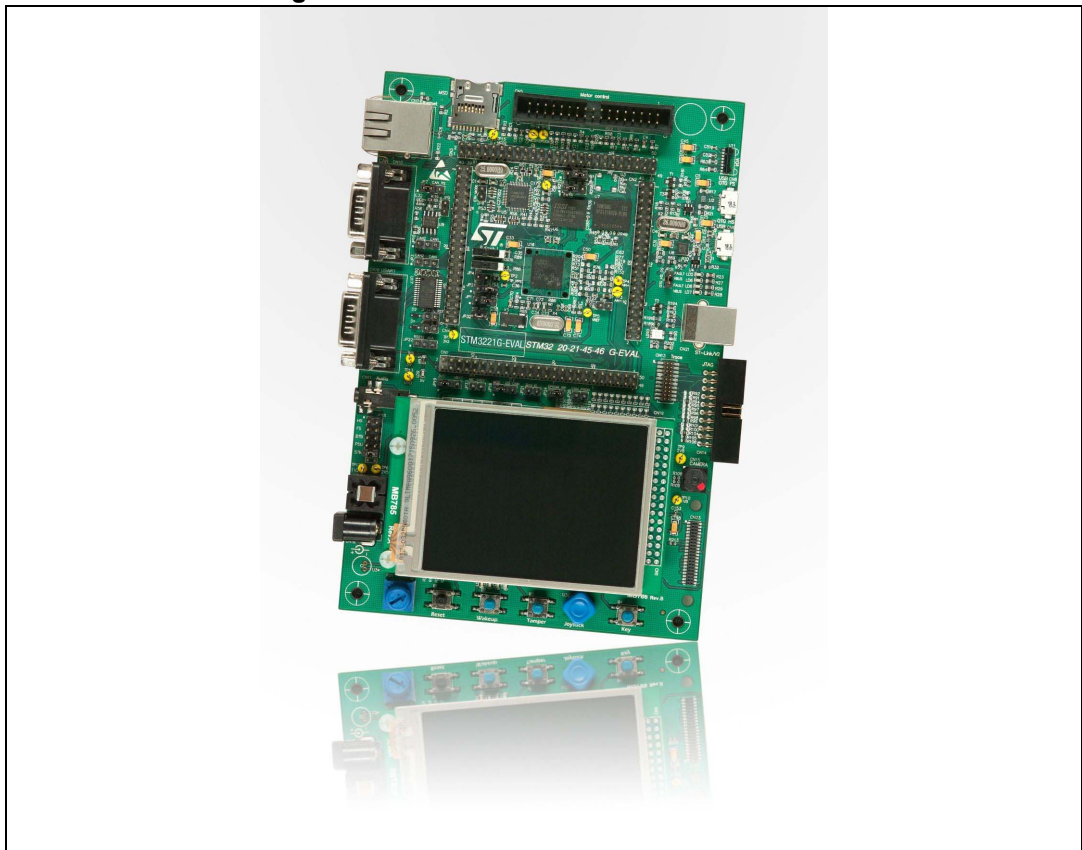
Introduction

The STM3221G-EVAL evaluation board is a complete demonstration and development platform for the STM32F2 Series and includes an embedded STM32F217IGH6 high-performance ARM®Cortex®-M3 32-bit microcontroller with a cryptographic acceleration cell.

The full range of hardware features on the board is described to evaluate all peripherals (such as USB OTG HS, USB OTG FS, Ethernet, motor control, CAN, microSD™ card, smartcard, USART, Audio DAC, RS-232, IrDA up to version C07 of the board, SRAM, ST MEMS, EEPROM) before developing applications. Extension headers are used to easily connect a daughterboard or a wrapping board for any specific application.

The in-circuit ST-LINK tool provides easy JTAG and SWD interface debugging and programming.

Figure 1. STM3221G-EVAL evaluation board



1. Picture is not contractual.

Contents

- 1 Overview 6**
 - 1.1 Features 6
 - 1.2 Demonstration software 6
 - 1.3 Ordering information 6
 - 1.4 Delivery recommendations 7

- 2 Hardware layout and configuration 8**
 - 2.1 Power supply11
 - 2.2 Boot option 12
 - 2.3 Clock source 13
 - 2.4 Reset source 13
 - 2.5 Audio 13
 - 2.6 EEPROM 14
 - 2.7 CAN 14
 - 2.8 RS-232 and IrDA 16
 - 2.9 Motor control 17
 - 2.10 Smartcard 18
 - 2.11 microSD card 18
 - 2.12 ST MEMS 19
 - 2.13 Potentiometer 19
 - 2.14 ADC 19
 - 2.15 USB OTG FS 19
 - 2.16 Ethernet 19
 - 2.17 USB OTG HS 21
 - 2.18 Camera module 21
 - 2.19 SRAM 22
 - 2.20 Development and debug support 23
 - 2.21 Display and input devices 24

- 3 Connectors 25**
 - 3.1 Daughterboard extension connectors CN1, 2, 3 and 4 25

3.2	Motor control connector CN5	31
3.3	microSD connector CN6	32
3.4	Ethernet RJ45 connector CN7	33
3.5	USB OTG FS Micro-AB connector CN8	33
3.6	USB OTG HS Micro-AB connector CN9	34
3.7	CAN D-type 9-pin male connectors CN10 (CAN1 or CAN2)	34
3.8	Audio connector CN11	34
3.9	Trace debug connector CN13	35
3.10	JTAG debug connector CN14	35
3.11	Camera module connector CN15	36
3.12	RS-232 connector CN16	37
3.13	Power connector CN18	37
3.14	TFT LCD connector CN19	37
3.15	Smartcard connector CN20	38
3.16	ST-LINK/V2 connector CN21	38
3.17	Camera extension connector CN23	38
3.18	STM3221G-EVAL pinout	39
Appendix A Schematics		45
Revision history		67

List of tables

Table 1.	Ordering information	7
Table 2.	Power related jumpers and solder bridges	11
Table 3.	Boot related jumpers	12
Table 4.	Audio related jumpers	14
Table 5.	EEPROM related jumper and solder bridge	14
Table 6.	CAN-related jumpers	14
Table 7.	RS-232 and IrDA related jumpers	16
Table 8.	Motor control solder bridges	17
Table 9.	Connection between ST8024 and STM32F217IGH6	18
Table 10.	Smartcard related jumper	18
Table 11.	microSD card related jumpers	18
Table 12.	Ethernet related jumpers and solder bridges	20
Table 13.	microSD card related jumper	21
Table 14.	Camera module related jumpers	21
Table 15.	SRAM related jumpers	22
Table 16.	Third-party toolchain support	23
Table 17.	LCD modules	24
Table 18.	Daughterboard extension connector CN1	25
Table 19.	Daughterboard extension connector CN2	26
Table 20.	Daughterboard extension connector CN3	28
Table 21.	Daughterboard extension connector CN4	30
Table 22.	Motor Control connector CN5	31
Table 23.	microSD connector CN6	32
Table 24.	RJ45 connector CN7	33
Table 25.	USB OTG FS Micro-AB connector CN8	33
Table 26.	USB OTG HS Micro-AB connector CN9	34
Table 27.	CAN D-type 9-pin male connector CN10 (CAN1 or CAN2)	34
Table 28.	Trace debugging connector CN13	35
Table 29.	JTAG debug connector CN14	35
Table 30.	Camera module connector CN15	36
Table 31.	RS-232 connector CN16 with ISP support	37
Table 32.	Smartcard connector CN20	38
Table 33.	Camera extension connector CN23	38
Table 34.	STM3221G-EVAL pinout	39
Table 35.	Document revision history	67

List of figures

Figure 1.	STM3221G-EVAL evaluation board	1
Figure 2.	Hardware layout and configuration	9
Figure 3.	STM3221G-EVAL evaluation board layout	10
Figure 4.	Pin 1 camera plug	22
Figure 5.	Motor Control connector CN5	31
Figure 6.	microSD connector CN6	32
Figure 7.	Ethernet RJ45 connector CN7	33
Figure 8.	USB OTG FS Micro-AB connector CN8	33
Figure 9.	USB OTG HS Micro-AB connector CN9	34
Figure 10.	CAN D-type 9-pin male connector CN10 (CAN1 or CAN2)	34
Figure 11.	Trace debug connector CN13	35
Figure 12.	JTAG debug connector CN14	35
Figure 13.	Camera module connector CN15	36
Figure 14.	RS-232 connector CN16 with ISP support	37
Figure 15.	Power supply connector CN18	37
Figure 16.	Smartcard connector CN20	38
Figure 17.	STM3221G-EVAL	46
Figure 18.	MCU	47
Figure 19.	USB OTG HS	48
Figure 20.	Camera	49
Figure 21.	Ethernet	50
Figure 22.	Audio	51
Figure 23.	USB OTG FS	52
Figure 24.	SRAM	53
Figure 25.	LCD	54
Figure 26.	RS-232 and IrDA	55
Figure 27.	CAN	56
Figure 28.	I/O peripherals	57
Figure 29.	I/O expander	58
Figure 30.	microSD card	59
Figure 31.	Motor control	60
Figure 32.	Smartcard	61
Figure 33.	JTAG and trace	62
Figure 34.	Power	63
Figure 35.	Extension connector	64
Figure 36.	STLINK/V2	65
Figure 37.	3.2" LCD module with SPI and 16-bit interface	66

1 Overview

1.1 Features

- STM32F217IGH6 microcontroller
- 16 Mbit SRAM
- 1 Gbyte or more microSD card
- Boot from user Flash, system memory or SRAM
- Both ISO/IEC 14443 type A and B smartcard support
- I²C compatible serial interface 8 Kbyte EEPROM, ST MEMS and I/O expander
- IEEE 802.3-2002 compliant Ethernet connector
- Two CAN 2.0 A/B channels on the same DB connector
- RS-232 communication
- IrDA transceiver (only supported up to C07 version of the board, no more supported from C08 version)
- USB OTG (HS and FS) with Micro-AB connector
- Inductor motor control connector
- I²S Audio DAC, stereo audio jack for headset
- 3.2" 240x320 TFT color LCD with touchscreen
- 4 color LEDs
- Camera module and extension connector for ST camera plug-in
- Joystick with 4-direction control and selector
- Reset, wakeup, tamper and user button
- RTC with backup battery
- Extension connector for daughterboard or wrapping board
- JTAG, SW and trace debug support
- Embedded ST-LINK/V2
- Five 5V power supply options: Power jack, USB FS connector, USB HS connector, ST-LINK/V2 or daughterboard
- MCU consumption measurement circuit

1.2 Demonstration software

Demonstration software is preloaded in the board-mounted Flash memory for easy demonstration of the device peripherals in standalone mode. For more information and to download the latest version, please refer to STM3221G-EVAL demonstration software at the www.st.com/mcu website.

1.3 Ordering information

To order the STM3221G-EVAL evaluation board, refer to [Table 1](#):

Table 1. Ordering information

Order code	Target STM32
STM3221G-EVAL	STM32F217IGH6

1.4 Delivery recommendations

Several verifications are needed before using the board for the first time to make sure that nothing has been damaged during shipment and no components are unplugged and lost.

When the board is extracted from its plastic bag, please check that no component remains in the bag. Main components to verify are:

1. The 25 MHz crystal (X1 and X4) may have been removed by a shock.
2. The camera connected on socket CN15 located on the right side of the board under the JTAG connector may be unplugged. If this is the case, please refer to the note in [Section 2.18: Camera module](#) to make sure to replugin it in the correct position.
3. The microSD card may have been ejected from its connector CN6 (top left corner of the board).

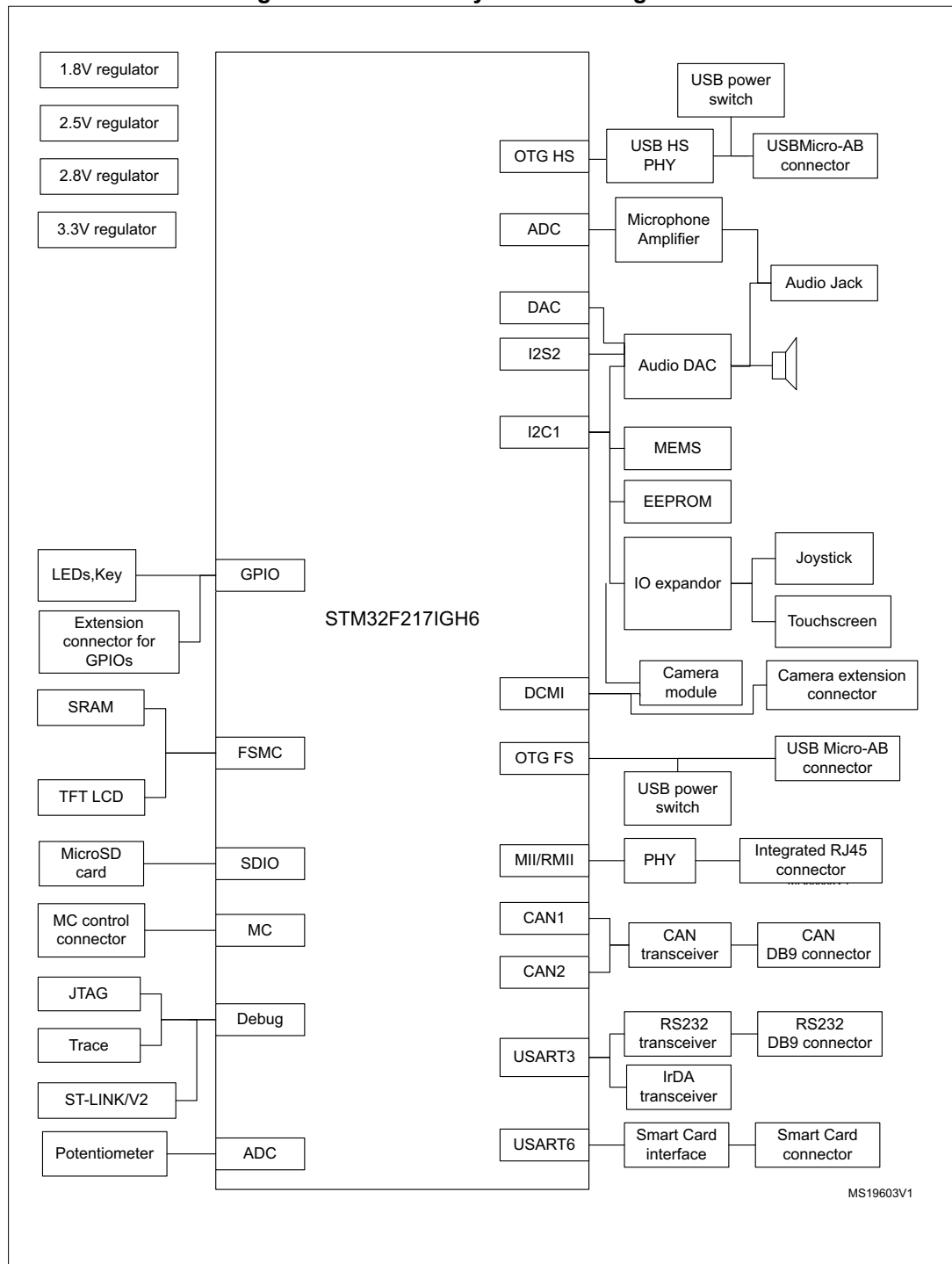
The plastic protection on the camera should be removed carefully as the connection is very fragile.

2 Hardware layout and configuration

The STM3221G-EVAL evaluation board is designed around the STM32F217IGH6 microcontroller with a cryptographic acceleration cell in the UFBGA176 package. The hardware block diagram [Figure 2](#) illustrates the connection between STM32F217IGH6 and peripherals (Camera module, LCD, SRAM, EEPROM, ST MEMS, USART, IrDA up to version C07 of the board, USB OTG HS, USB OTG FS, Ethernet, Audio, CAN bus, smartcard, microSD card and motor control) and [Figure 3](#) locates these features on the evaluation board.

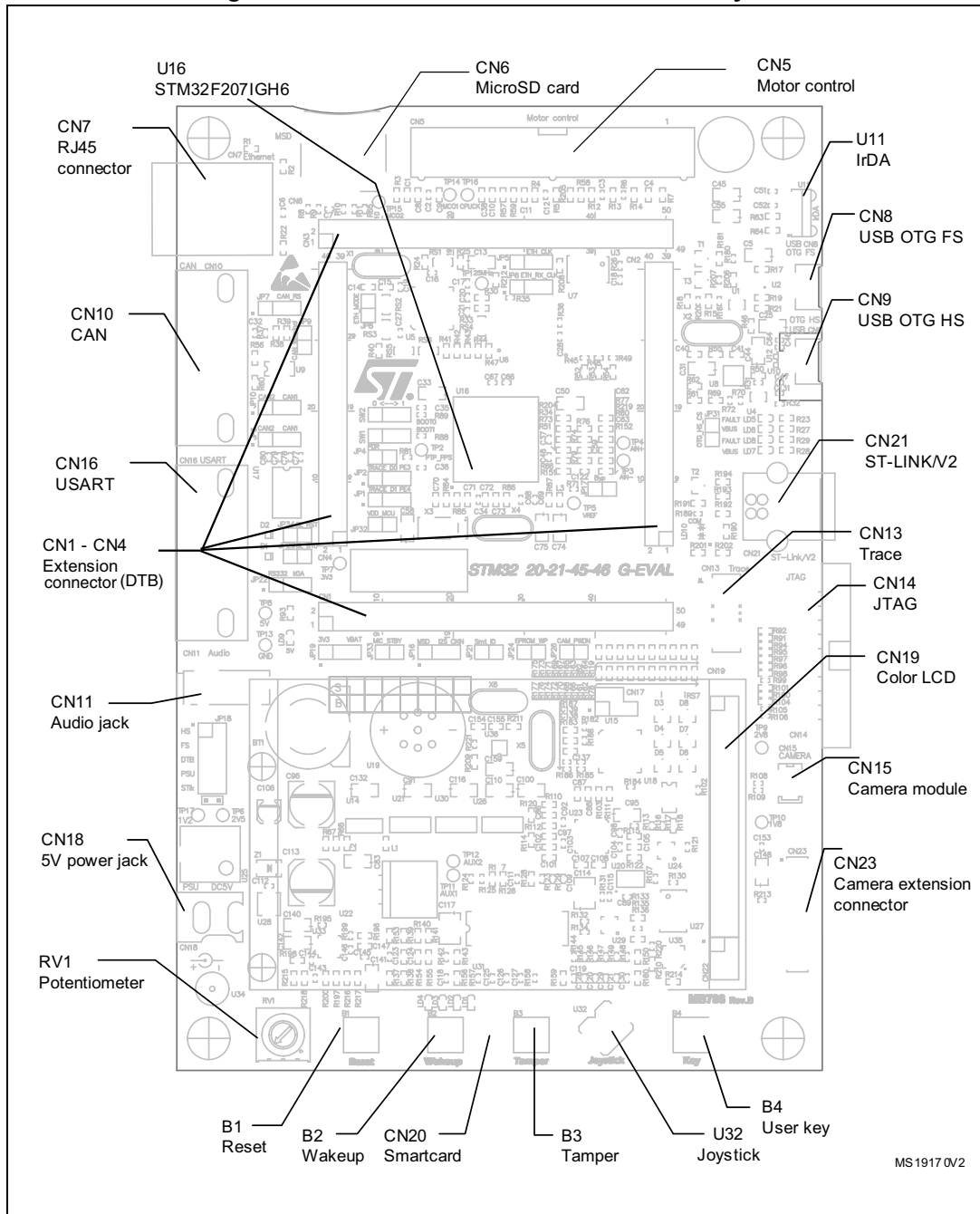
Note that for every figure (layouts and schematics) of this user manual, whenever IrDA is indicated it is only significant for board version up to C07, since IrDA has not been populated on latest versions of the board (so IrDA is not present from the C08 board onwards).

Figure 2. Hardware layout and configuration



1. IrDA is not populated on the board from version C08 of the board.

Figure 3. STM3221G-EVAL evaluation board layout



1. IrDA is not populated on the board from version C08 of the board.

2.1 Power supply

The STM3221G-EVAL evaluation board is designed to be powered by 5 V DC power supply and to be protected by PolyZen from a wrong power plug-in event. It is possible to configure the evaluation board to use any of following five sources for the power supply:

- 5 V DC power adapter connected to JP18, the power jack on the board
- 5 V DC power with 500 mA limitation from CN8, the USB OTG FS Micro-AB connector
- 5 V DC power with 500 mA limitation from CN9, the USB OTG HS Micro-AB connector
- 5 V DC power with 500 mA limitation from CN21, the ST-LINK/V2 USB connector
- 5 V DC power from both CN1 and CN3, the extension connector for daughterboard (DTB for daughterboard on silkscreen)

The power supply is configured by setting the related jumpers JP4, JP32, JP18 and JP19 as described in [Table 2](#).

Table 2. Power related jumpers and solder bridges

Jumper	Description	
JP4	Jumper reserved for future use (RFU). Default setting: Fitted	
JP32	MCU_VDD is connected to 3.3 V power when JP32 is closed and MCU current consumption measurement can be done manually by multi-meter when JP32 is open. Default setting: Fitted	
JP18	JP18 selects one of the five possible power supply sources. Selects the ST-LINK/V2 USB connector (CN21) power supply, set JP18 as shown: (Default setting)	HS ● ● FS ● ● DTB ● ● PSU ● ● STIk ● ●
	To select power supply jack (CN18) power supply, set JP18 as shown:	HS ● ● FS ● ● DTB ● ● PSU ● ● STIk ● ●
	To select daughterboard connector (CN1 and CN3) power supply, set JP18 as shown:	HS ● ● FS ● ● DTB ● ● PSU ● ● STIk ● ●

Table 2. Power related jumpers and solder bridges (continued)

Jumper	Description											
JP18 (cont.)	To select USB OTG FS (CN8) power supply, set JP18 as shown:	<table style="border: none;"> <tr><td>HS</td><td>● ●</td></tr> <tr><td>FS</td><td>■ ●</td></tr> <tr><td>DTB</td><td>● ●</td></tr> <tr><td>PSU</td><td>● ●</td></tr> <tr><td>STIk</td><td>● ●</td></tr> </table>	HS	● ●	FS	■ ●	DTB	● ●	PSU	● ●	STIk	● ●
	HS	● ●										
	FS	■ ●										
DTB	● ●											
PSU	● ●											
STIk	● ●											
To select USB OTG HS (CN9) power supply, set JP18 as shown:	<table style="border: none;"> <tr><td>HS</td><td>■ ●</td></tr> <tr><td>FS</td><td>● ●</td></tr> <tr><td>DTB</td><td>● ●</td></tr> <tr><td>PSU</td><td>● ●</td></tr> <tr><td>STIk</td><td>● ●</td></tr> </table>	HS	■ ●	FS	● ●	DTB	● ●	PSU	● ●	STIk	● ●	
HS	■ ●											
FS	● ●											
DTB	● ●											
PSU	● ●											
STIk	● ●											
To select power supply jack (CN18) power supply to both STM3221G-EVAL and daughterboard connected on CN1 and CN3, set JP18 as shown (daughterboard must not have its own power supply connected)	<table style="border: none;"> <tr><td>HS</td><td>● ●</td></tr> <tr><td>FS</td><td>● ●</td></tr> <tr><td>DTB</td><td>■ ●</td></tr> <tr><td>PSU</td><td>■ ●</td></tr> <tr><td>STIk</td><td>● ●</td></tr> </table>	HS	● ●	FS	● ●	DTB	■ ●	PSU	■ ●	STIk	● ●	
HS	● ●											
FS	● ●											
DTB	■ ●											
PSU	■ ●											
STIk	● ●											
JP19	To connect Vbat to the battery, set JP19 as shown:	<table style="border: none;"> <tr><td>1</td><td>2</td><td>3</td></tr> <tr><td>●</td><td>■</td><td>●</td></tr> </table>	1	2	3	●	■	●				
	1	2	3									
●	■	●										
To connect Vbat to 3.3 V power, set JP19 as shown: (Default setting)	<table style="border: none;"> <tr><td>1</td><td>2</td><td>3</td></tr> <tr><td>■</td><td>●</td><td>●</td></tr> </table>	1	2	3	■	●	●					
1	2	3										
■	●	●										

Note: LED LD9 is lit when the STM3221G-EVAL evaluation board is powered by 5 V correctly.

2.2 Boot option

The STM3221G-EVAL evaluation board is able to boot from:

- Embedded User Flash
- System memory with boot loader for ISP
- Embedded SRAM for debugging

The boot option is configured by setting switch SW1 (BOOT1) and SW2 (BOOT0). The BOOT0 can be configured also via RS-232 connector CN16.

Table 3. Boot related jumpers

BOOT 0	BOOT 1	Boot source
0	1 or 0	STM3221G-EVAL boots from User Flash (Default setting)
1	1	STM3221G-EVAL boots from Embedded SRAM
1	0	STM3221G-EVAL boots from System Memory

2.3 Clock source

Four clock sources are available on STM3221G-EVAL evaluation board for STM32F217IGH6 and RTC embedded:

- X1, 25 MHz crystal for Ethernet PHY with socket. It can be removed when clock is provided by MCO pin of the MCU
- X2, 26 MHz crystal for USB OTG HS PHY
- X3, 32 kHz crystal for embedded RTC
- X4, 25 MHz crystal with socket for STM32F217IGH6 microcontroller (it can be removed from socket when internal RC clock is used)

2.4 Reset source

The reset signal of STM3221G-EVAL evaluation board is low active and the reset sources include:

- Reset button B1
- Debugging tools from JTAG connector CN14 and trace connector CN13
- Daughterboard from CN3
- RS-232 connector CN16 for ISP
- ST-LINK/V2

2.5 Audio

The STM3221G-EVAL evaluation board enables stereo audio play and microphone recording by an external headset connected on audio jack CN11. An audio DAC CS43L22 is connected to the I2S2 port and the DAC channel and a microphone amplifier is connected to ADC of the STM32F217IGH6. The CS43L22 can be configured via I2C1 and the external PLL (U36) can provide an external clock which is connected to the I2S_CKIN pin (PC9).

Note: To avoid speaker damage it is mandatory to connect the headphone to the board on CN11 during debug of audio code. When the program is stopped on a breakpoint, a DC voltage may be applied to the speaker which induces power consumption incompatible with the speaker.

Warning: Signal I2S_SD (PI3) is close to signal TCK/SWCLK of the JTAG/SWD interface, so to avoid possible communication issues on JTAG/SWD when the I2S interface is used the recommendations are to:

- 1) Prefer usage of embedded ST-LINK/V2 to external tool connected on CN14.
- 2) Configure PI3 GPIO in low speed (2 MHz or 10 MHz).

Table 4. Audio related jumpers

Jumper	Description
JP16	Description of JP16 is in Table 11 on page 18 .
JP33	The microphone amplifier can be disabled when JP33 is fitted. Default setting: Not fitted.

2.6 EEPROM

A 64 Kbit EEPROM is connected to the I2C1 bus of STM32F217IGH6.

Table 5. EEPROM related jumper and solder bridge

Jumper	Description
JP24	EEPROM is in Write Protection mode when JP24 is not fitted. Default setting: Not fitted.

2.7 CAN

The STM3221G-EVAL evaluation board enables two channels of CAN2.0A/B compliant CAN bus communication based on a 3.3 V CAN transceiver on one DB9 connector (CN10). The two CAN buses can be disconnected by jumpers from the relevant STM32F217IGH6 I/Os which are shared with FSMC and USB OTG HS.

JP3 and JP10 must be refitted to enable CAN1 or CAN2 as listed in [Table 6](#).

High-speed, Standby and Slope Control modes can be selected by setting jumper JP7.

Table 6. CAN-related jumpers

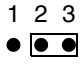
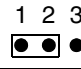
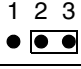
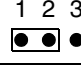
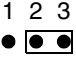
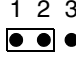
Jumper	Description
JP3	To connect CAN1_TX to CAN transceiver, set JP3 as shown: 
	To connect CAN2_TX to CAN transceiver, set JP3 as shown: 
JP10	To connect CAN1_RX to CAN transceiver, set JP10 as shown: 
	To connect CAN2_RX to CAN transceiver, set JP10 as shown: 
	PD0 and PB5 are disconnected from the CAN transceiver and used for FSMC and USB_OTG_HS when jumper JP10 is not fitted (default setting).

Table 6. CAN-related jumpers (continued)

Jumper	Description
JP7	To enable the selected CAN transceiver to work in Standby mode, set JP7 as shown: <div style="float: right; text-align: center;"> 1 2 3  </div>
	To enable the selected CAN transceiver to work in High-speed mode, set JP7 as shown (Default setting): <div style="float: right; text-align: center;"> 1 2 3  </div>
	To enable the selected CAN transceiver to work in Slope Control mode, do not fit JP7.
JP9	To enable the terminal resistor for the selected CAN, fit a jumper on JP9. (Default setting: Not fitted).

2.8 RS-232 and IrDA

Both RS-232 and IrDA communication is enabled by D-type 9-pin RS-232 connector (CN16) and IrDA transceiver U11 which are connected to USART3 of STM32F217IGH6 on the STM3221G-EVAL evaluation board.

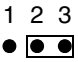
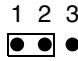
The IrDA transceiver (TFDU6300) is not populated on the STM3221G-EVAL evaluation board from version C08. The version of the board is written on sticker placed on bottom side of the board (ex: MB786-C08). For boards version C08 or newer it is possible to solder manually the TDFU6300 on U11 footprint to support IRDA feature.

For ISP support, two signals are added on the RS-232 connector CN16:

- Bootloader_RESET (shared with CTS signal)
- Bootloader_BOOT0 (shared with DSR signal)

RS-232 or IrDA can be selected by setting JP22 (note that jumper JP22 position 2-3 is unused from version C08), and ISP can be enabled by setting JP29 and JP34 as shown in [Table 7](#).

Table 7. RS-232 and IrDA related jumpers

Jumper	Description
JP22	To connect USART3_RX to IrDA transceiver and enable IrDA communication, set JP22 as shown (this configuration is useless on the board from version C08): 
	To connect USART3_RX to RS-232 transceiver and enable RS-232 communication, set JP22 as shown (Default setting): 
	To enable microSD card, which shares same I/Os with RS-232, JP22 is not fitted.
JP29	Bootloader_BOOT0 is managed by pin 6 of CN16 (RS-232 DSR signal) when JP29 is closed. This configuration is used for boot loader application only. Default setting: Not fitted.
JP34	Bootloader_RESET is managed by pin 8 of CN16 (RS-232 CTS signal) when JP34 is fitted. This configuration is used for boot loader application only. Default setting: Not fitted.

2.9 Motor control

The STM3221G-EVAL evaluation board enables a three-phase brushless motor control via a 34-pin connector (CN5), which provides all required control and feedback signals to and from the motor power-driving board. Available signals on this connector include emergency stop, motor speed, 3-phase motor current, bus voltage, heatsink temperature (coming from the motor driving board) and 6 channels of PWM control signal going to the motor driving circuit.

The solder bridge (SB18) allows to choose two kinds of synchronization methods for PFCs (Power Factor Correction) while the SB17 can be set for different signals on pin 31 of CN5.

The I/O pins used on motor control connector CN5 are multiplexed with some peripherals on the board; either motor control connector or multiplexed peripherals can be enabled by the setting of solder bridges SB10, SB11, SB12, SB14, SB15 and SB16.

Table 8. Motor control solder bridges

Solder bridge	Description	Multiplexed peripherals
SB18	When closed, SB18 redirects the PFC synchronized signal to timer 3 input capture pin 2 in addition to the timer 3 external trigger input. Default setting: Open	-
SB17	For CN5 encoder signal input (pin 31), SB17 must be open. For CN5 special motor analog signal input (pin 31), SB17 must be closed. Default setting: Open	-
SB16	To connect MC_EmergencySTOP to PI4, close SB16. Default setting: Open	Camera module connected to CN15
SB10	To connect MC_EnIndex to PB8, close SB10. Default setting: Open	Ethernet
SB11	To connect MC_CurrentA to PC1, close SB11. Default setting: Open	
SB12	To connect MC_CurrentB to PC2, close SB12. Default setting: Open	
SB14	To connect MC_EnB to PD13, close SB14. Default setting: Open	FSMC
SB15	To connect MC_EnA to PD12 close SB15. Default setting: Open	

Note: 1 *Some 0 ohm resistors have to be removed or soldered to enable motor control application except the solder bridges configurations mentioned above:*

- R34, R58 & R51 to be removed
- R66, R204 & R205 to be soldered

2 *microSD card must be removed from CN6 for motor control application.*

2.10 Smartcard

STMicroelectronics smartcard interface chip ST8024 is used on STM3221G-EVAL board for asynchronous 3 V and 5 V smartcards. It performs all supply protection and control functions based on the connections with STM32F217IGH6 listed in [Table 9](#):

Table 9. Connection between ST8024 and STM32F217IGH6

ST8024 signals	Description	Connect to STM32F217IGH6
5V/3V	Smartcard power supply selection pin	PH15
I/OUC	MCU data I/O line	PC6
XTAL1	Crystal or external clock input	PG7
OFF	Detect presence of a card, MCU interrupt, share same pin with motor controller	PF6
RSTIN	Card reset input from MCU	PF7
CMDVCC	Start activation sequence input (Active Low), share same pin with I2S DAC and Motor control	PG12

Smartcard shares some I/Os with I2S bus for Audio. Some jumper settings need to be reconfigured to enable smartcard as indicated below:

Table 10. Smartcard related jumper

Jumper	Description
JP21	To connect Smartcard_IO to PC6, JP21 must be fitted. JP21 must not be fitted for Audio DAC connection to I2S. Default setting: Not fitted.

2.11 microSD card

The 1 GByte or more microSD card connected to SDIO of STM32F217IGH6 is available on the board. microSD card detection is managed by the standard I/O port PH13. microSD card shares I/Os with motor control, RS-232 and audio. The jumpers JP22 and JP16 must be refit and motor control connector (CN5) must be disconnected for microSD card function.

Table 11. microSD card related jumpers

Jumper	Description
JP22	Description of JP22 is in Section 2.8: RS-232 and IrDA
JP16	PC9 is connected to microSD card_D1 when JP16 is set as shown to the right: (Default setting):
	PC9 is connected to I2S_CKIN when JP16 is set as show to the right:



2.12 ST MEMS

The ST MEMS device LIS302DL is connected to I2C1 bus of STM32F217IGH6 on the board.

2.13 Potentiometer

There is one 10 kΩ potentiometer RV1 connected to PF9 of STM32F217IGH6 on the board.

2.14 ADC

Two test points (TP3 AIN-) and (TP4 AIN+) are placed close to port PC1 of the MCU allowing precise measurements on ADC1, ADC2 or ADC3 channel 11. As PC1 is also used as current A input on the motor control connector it is recommended to remove R219 to optimize noise immunity on this input.

A potentiometer RV1 is connected to PF9 of STM32F217IGH6. If needed, a low pass filter (R74 and C59) can be placed on this input to reduce the bandwidth of the analog input PF9.

It is also possible to place the Ethernet PHY (U5) in low power mode in order to reduce the noise induced by this high frequency peripheral. Power down pin (MII_INT in the schematic) is connected to PB14 of the MCU, so this I/O can be configured as output low during analog precision measurement.

2.15 USB OTG FS

The STM3221G-EVAL evaluation board enables USB OTG full speed communication via a USB micro-AB connector (CN8) and USB power switch (U1) connected to VBUS. The evaluation board can be powered by this USB connection at 5 V DC with a 500 mA current limitation.

LED LD6 indicates that either:

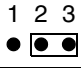
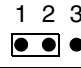
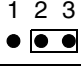
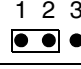
- Power switch (U1) is ON and the STM3221G-EVAL functions as a USB host or
- VBUS is powered by another USB host while the STM3221G-EVAL functions as a USB device.

LED LD5 indicates an over-current.

2.16 Ethernet

The STM3221G-EVAL evaluation board enables 10/100M Ethernet communication by a PHY DP83848CVV (U5) and integrated RJ45 connector (CN7). Both MII and RMII interface modes can be selected by setting jumpers JP5, JP6 and JP8 as listed below:

Table 12. Ethernet related jumpers and solder bridges

Jumper	Description
JP8	JP8 selects MII or RMII interface mode. To enable MII, JP8 is not fitted. To enable RMII interface mode, JP8 is fitted. Default setting: Not fitted.
JP6	To enable MII interface mode, set JP6 as shown (Default setting): 
	To enable RMII interface mode, set JP6 as shown: 
JP5	To provide 25 MHz clock for MII or 50 MHz clock for RMII by MCO at PA8, set JP5 as shown (Default setting): 
	To provide 25 MHz clock by external crystal X1 (for MII interface mode only) set JP5 as shown: 
	When clock is provided by external oscillator U3, JP5 must not be fitted (Default setting).
SB1	SB1 selects clock source only for RMII mode. To connect the clock from MCO to RMII_REF_CLK, close SB1. The resistor R212 has to be removed in this case. Default setting: Open.

- Note:*
- 1 A test point (TP2) is available on the board for the PTP_PPS feature test.
 - 2 The Ethernet PHY, U5, can be powered down by regulating PB14.
 - 3 In RMII mode it is not possible to use MCO to output the 50 MHz clock to PHY due to the PLL limitation explained in chapter 2.6.5 of STM32F20x & STM32F21x Errata sheet (ES0005). In such a case it is possible to provide the 50 MHz clock by soldering a 50 MHz oscillator (ref SM7745HEV-50.0M or equivalent) on the U3 footprint located under CN3 and also removing jumper on JP5. This oscillator is not provided with the board.

2.17 USB OTG HS

The STM3221G-EVAL evaluation board enables USB OTG high speed communication via a USB micro-AB connector (CN9), USB high speed PHY (U8) and USB power switch (U4) connected to VBUS. The evaluation board can be powered by this USB connector (CN9) at 5 V DC with a 500 mA current limitation.

LED LD7 indicates that power switch (U4) is ON and the STM3221G-EVAL is working as a USB host or that VBUS is powered by another USB host when the STM3221G-EVAL is working as a USB device. LD8 indicates an over-current.

The USB ULPI bus is shared with CAN2 bus, JP10 and JP3 must be kept open for USB OTG HS.

Table 13. microSD card related jumper

Jumper	Description
JP31	To disable USB OTG PHY U8, JP31 is not fitted. Default setting: Fitted.

Note: On boards MB786 prior to version B03 it is possible that after a board RESET the MCU is no longer able to control communication with the OTG PHY (U8). When this issue occurs the only way to recover OTG PHY control is to power the board OFF and ON. This issue is fixed on MB786 version B03 or newer.

2.18 Camera module

A camera module is connected to DCMI bus of STM32F217IGH6 and shares the same I/Os with the motor control connector. SB16 must be kept open (default setting) for camera module application.

There are two possible modules and omnivision cameras populated on the CN15 connector of the board:

- 1.3 Megapixel: Module CN01302H1045-C: Camera OV9655
- 2 Megapixel: Module CN020VAH2554-C: Camera OV2640

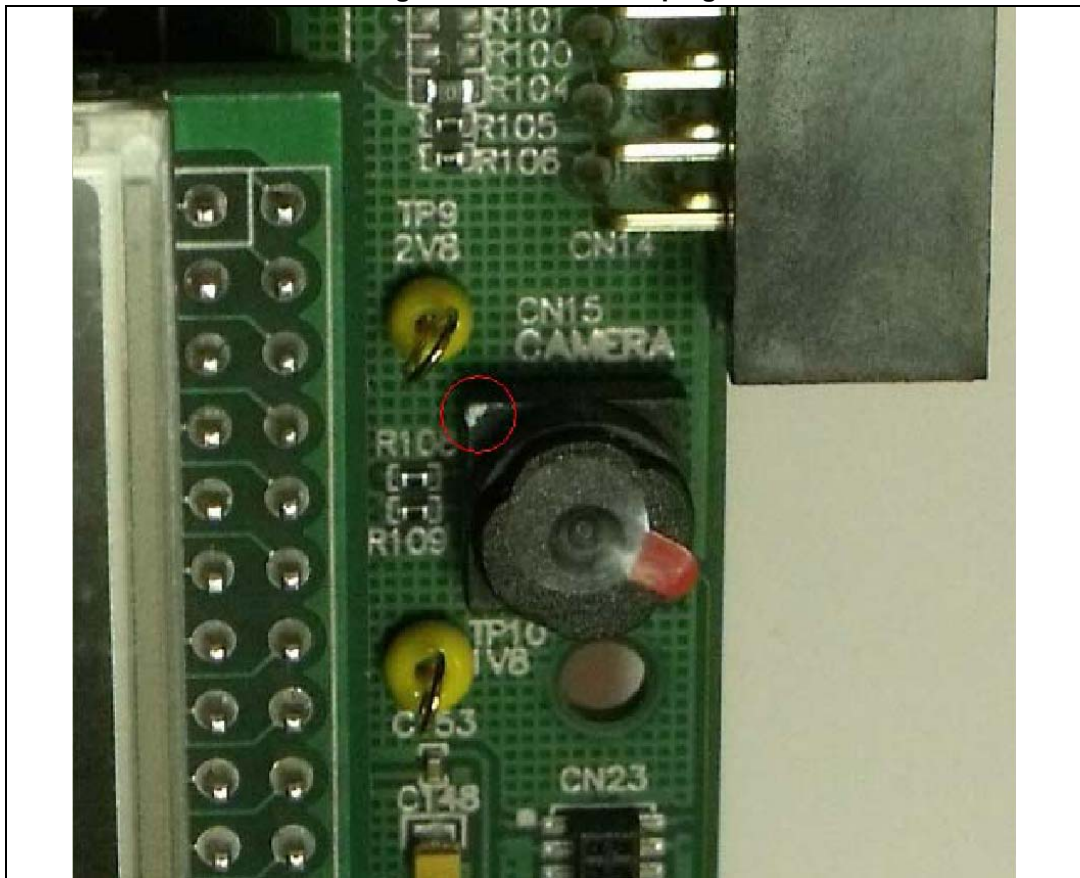
Table 14. Camera module related jumpers

Jumper	Description
JP26	To set power down mode for the camera module, JP26 is fitted. Default setting: Not fitted.
SB16	Description of SB16 is in Section 2.9: Motor control .

Note:

- 1 When the camera demo loaded in Flash is executed, some green pixels may appear in high contrast zones, depending on the image captured.
- 2 The camera is not firmly restricted on its connector (CN15). It is possible that during shipment the camera could be unplugged. In such case plug it into the right position as shown on the picture below (pin 1 dot on top left corner of the socket).
It is not recommended to remove it in order to avoid false contact later.

Figure 4. Pin 1 camera plug



1. Picture is not contractual

The camera extension connector CN23 is available on the boards to connect the ST camera plug-in board.

2.19 SRAM

The 16 Mbit SRAM is connected to FSMC bus of the STM32F217IGH6 which shares the same I/Os with CAN1 bus. JP3 and JP10 must not be fitted for SRAM and LCD application.

Table 15. SRAM related jumpers

Jumper	Description	
JP1	Connect PE4 to SRAM as A20 by setting JP1 as shown (Default setting):	1 2 3 ● ● ●
	Connect PE4 to trace connector CN13 as TRACE_D1 by setting JP1 as shown:	1 2 3 ● ● ●
JP2	Connect PE3 to SRAM as A19 by setting JP2 as shown (Default setting):	1 2 3 ● ● ●
	Connect PE3 to trace connector CN13 as TRACE_D0 by setting JP2 as shown:	1 2 3 ● ● ●

2.20 Development and debug support

Version 2 of the ST-LINK, called ST-LINK/V2, is embedded on the board. This tool allows onboard program loading and debugging of the STM32F using the JTAG or SWD interface. Third-party debug tools are also supported by the JTAG (CN14) or Trace (CN13) connectors.

To communicate with the embedded ST-LINK/V2, a specific driver needs to be installed on the PC. To download and install this driver, refer to the software and development tools page for the STM32F family available on www.st.com (the install shield is called ST-LINK_V2_USBdriver.exe).

Third-party toolchains, Atollic TrueSTUDIO, KEIL ARM-MDK, IAR EWARM and Tasking VX-Toolset support ST-LINK/V2 according to the following table:

Table 16. Third-party toolchain support

Manufacturer	Toolchain	Version
Atollic	TrueSTUDIO	2.1
IAR	EWARM	6.20.4
Keil	MDK-ARM	4.20
Tasking	VX-Toolset	ARM Cortex-M 4.0.1

The embedded ST-LINK/V2 connects to the PC via a standard USB cable from connector CN21. The bicolor LED LD10 (COM) indicates the status of the communication as follows:

- Slow blinking Red/Off: At power-on before USB initialization
- Fast blinking Red/Off: After the first correct communication between PC and ST-LINK/V2 (enumeration)
- Red LED On: When initialization between PC and ST-LINK/V2 is successfully finished
- Green LED On: After successful target communication initialization
- Blinking Red/Green: During communication with target
- Green On: Communication finished and OK
- Orange On: Communication failure

- Note:*
- 1 *It is possible to power the board via CN21 (embedded ST-LINK/V2 USB connector) even if an external tool is connected to CN13 (trace) or CN14 (external JTAG and SWD).*
 - 2 *If the I2S interface is used, refer to the warning in [Chapter 2.5](#).*

2.21 Display and input devices

The 3.2" TFT color LCD connected to FSMC bus and 4 general purpose color LEDs (LD 1, 2, 3, 4) are available as display devices. A touchscreen connected to an I/O expander (U24), 4-direction joystick with selection key, general purpose button (B4), wakeup button (B2) and tamper detection button (B3) are available as input devices.

Table 17. LCD modules

Pin on CN19	Pin name	Pin connection	Pin on CN19	Pin name	Pin connection
1	CS	FSMC_NE3 (PG10)	18	PD14	FSMC_D12
2	RS	FSMC_A0	19	PD15	FSMC_D13
3	WR/SCL	FSMC_NWE	20	PD16	FSMC_D14
4	RD	FSMC_NOE	21	PD17	FSMC_D15
5	RESET	RESET#	22	BL_GND	GND
6	PD1	FSMC_D0	23	BL_Control	+5V
7	PD2	FSMC_D1	24	VDD	+3V3
8	PD3	FSMC_D2	25	VCI	+3V3
9	PD4	FSMC_D3	26	GND	GND
10	PD5	FSMC_D4	27	GND	GND
11	PD6	FSMC_D5	28	BL_VDD	+5V
12	PD7	FSMC_D6	29	SDO	NC
13	PD8	FSMC_D7	30	SDI	NC
14	PD10	FSMC_D8	31	XL	I/O expander U24
15	PD11	FSMC_D9	32	XR	I/O expander U24
16	PD12	FSMC_D10	33	YD	I/O expander U24
17	PD13	FSMC_D11	34	YU	I/O expander U24

3 Connectors

3.1 Daughterboard extension connectors CN1, 2, 3 and 4

Four male headers, CN1, 2, 3 and 4, can be used to connect with a daughterboard or standard wrapping board to STM3221G-EVAL evaluation board. A total number of 140 GPIOs are available on the board.

Each pin on CN1, 2, 3 and 4 can be used by a daughterboard after disconnecting it from the corresponding function block on the STM3221G-EVAL evaluation board. Please refer to tables from [Table 18](#) to [Table 21](#) for details.

Table 18. Daughterboard extension connector CN1

Pin	Description	Alternative function	How to disconnect with function block on STM3221G-EVAL board
1	GND	-	-
3	PE3	Trace_D0 and FSMC_A19	Keep JP2 on 2->3
5	PE5	Trace_D2	-
7	PI8	LCD_HSYNC	-
9	PC14	OSC32_IN	Remove R84, SB4 closed
11	PC15	OSC32_OUT	Remove R85, SB5 closed
13	PI10	MII_RX_ER	Remove RS3
15	PF0	FSMC_A0	-
17	PF2	FSMC_A2	-
19	GND	-	-
21	PF5	FSMC_A5	-
23	PF7	Smartcard_RST	-
25	PF9	Potentiometer	Remove R151
27	PH0	OSC_IN	SB6 closed
29	PC0	ULPI_STP	-
31	PC1	MII_MDC	SB11 open
33	PC3	MII_TX_CLK	Remove R51
35	PA0	WakeUP	Remove R139
37	PA2	MII_MDIO	-
39	GND	-	-
41	PH4	ULPI_NXT	Remove R61
43	NC	-	-
45	NC	-	-
47	EMU_3V3	-	-
49	EMU_5V	-	-

Table 18. Daughterboard extension connector CN1 (continued)

Pin	Description	Alternative function	How to disconnect with function block on STM3221G-EVAL board
2	PE2	Trace_CLK	-
4	PE4	Trace_D1 & FSMC_A20	Keep JP1 on 2<->3
6	PE6	Trace_D3	-
8	PC13	Anti-Tamper	Remove R143
10	GND	-	-
12	PI9	LED3	Remove R141
14	PI11	ULPI_DIR	Remove R62
16	PF1	FSMC_A1	-
18	PF3	FSMC_A3	-
20	PF4	FSMC_A4	-
22	PF6	Smartcard_OFF	Remove R126
24	PF8	LCD_CS	-
26	PF10	Audio_IN	Remove R196
28	PH1	OSC_OUT	Remove R86, SB7 closed
30	GND	-	-
32	PC2	MII_TXD2 & MC	SB12 open
34	VREF+	-	-
36	PA1	MII_RX_CLK	JP6 open
38	PH2	MII_CRS	Remove RS3
40	PH3	MII_COL	Remove RS3
42	PH5	OTG_FS_PowerSwitchOn	Remove R18
44	NC	-	-
46	NC	-	-
48	APP_3V3	-	-
50	GND	-	-

Table 19. Daughterboard extension connector CN2

Pin	Description	Alternative Function	How to disconnect with function block on STM3221G-EVAL board
1	GND	-	-
3	PA3	ULPI_D0	-
5	PA5	ULPI_CLK	Remove R69
7	PA7	MII_RX_DV	Remove RS2, JP8 open
9	PC5	MII_RXD1	Remove R58

Table 19. Daughterboard extension connector CN2 (continued)

Pin	Description	Alternative Function	How to disconnect with function block on STM3221G-EVAL board
11	PB0	ULPI_D1	-
13	PB2	BOOT1	-
15	PF12	FSMC_A6	-
17	PF14	FSMC_A8	-
19	GND	-	-
21	PG1	FSMC_A11	-
23	PE8	FSMC_D5	-
25	PE10	FSMC_D7	-
27	PE12	FSMC_D9	-
29	PE14	FSMC_D11	-
31	PE15	FSMC_D12	-
33	PB11	ULPI_D4	-
35	PH7	MII_RXD3	Remove RS3
37	PH9	DCMI_D0	Remove camera module from CN15
39	GND	-	-
2	APP_VCC	-	-
4	PA4	Audio_DAC_OUT	Remove R115
6	PA6	DCMI_PIXCK	Remove camera module from CN15
8	PC4	MII_RXD0	Remove RS2
10	GND	-	-
12	PB1	ULPI_D2	-
14	PF11	OTG_FS_Overcurrent	Remove R15
16	PF13	FSMC_A7	-
18	PF15	FSMC_A9	-
20	PG0	FSMC_A10	-
22	PE7	FSMC_D4	-
24	PE9	FSMC_D6	-
26	PE11	FSMC_D8	-
28	PE13	FSMC_D10	-
30	GND	-	-
32	PB10	ULPI_D3	-
34	PH6	MII_RXD2	Remove RS5
36	PH8	DCMI_HSYNC & MC	Remove camera module from CN15. Disconnect motor control board from CN5.

Table 19. Daughterboard extension connector CN2 (continued)

Pin	Description	Alternative Function	How to disconnect with function block on STM3221G-EVAL board
38	PH10	DCMI_D1 &MC	Remove camera module from CN15. Disconnect motor control board from CN5.
40	PH11	DCMI_D2 &MC	Remove camera module from CN15. Disconnect motor control board from CN5.

Table 20. Daughterboard extension connector CN3

Pin	Description	Alternative Function	How to disconnect with function block on STM3221G-EVAL board
1	GND	-	-
3	PI1	I2S_CK	-
5	PH15	Smartcard_3/5V & MC	Disconnect motor control board from CN5
7	PH13	microSDCard_detect & MC	Remove microSD card from CN6. Disconnect motor control board from CN5.
9	PC13	Anti-tamper	Remove R143
11	RESET#	Reset button	-
13	PA11	OTG_FS_DM	Remove R17
15	PA9	VBUS_FS	Remove USB cable from CN8. Remove R18.
17	PC9	microSDCard_D1 & I2S_CKIN	Keep JP16 on open
19	EMU_5V	-	-
21	PC6	I2S_MCK & Smartcard_IO	JP21 open
23	PG7	Smartcard_CLK	-
25	PG5	FSMC_A15	-
27	PG3	FSMC_A13	-
29	PD15	FSMC_D1	-
31	PD14	FSMC_D0	-
33	PD12	FSMC_A17	SB15 open
35	PD10	FSMC_D15	-
37	PD8	FSMC_D13	-
39	GND	-	-
41	PB13	ULPI_D6 & CAN2_TX	-
43	PH12	DCMI_D3 & MC	Remove camera module from CN15. Disconnect motor control board from CN5.
45	NC	-	-
47	EMU_3V3	-	-

Table 20. Daughterboard extension connector CN3 (continued)

Pin	Description	Alternative Function	How to disconnect with function block on STM3221G-EVAL board
49	EMU_5V	-	-
2	PI2	IO_Expandor_INT	Remove R136
4	PI0	I2S_CMD	-
6	PH14	DCMI_D4 & MC	Remove camera module from CN15. Disconnect motor control board from CN5.
8	PA13	TMS/SWDIO	-
10	GND	-	-
12	PA12	OTG_FS_DP	Remove R19
14	PA10	OTG_FS_ID	Remove R21
16	PA8	MCO	JP5 open
18	PC8	microSDCard_D0 & MC	Remove microSD card from CN6. Disconnect motor control board from CN5.
20	PC7	LED4	Remove R140
22	PG8	LED2	Remove R154
24	PG6	LED1	Remove R155
26	PG4	FSMC_A14	-
28	PG2	FSMC_A12	-
30	GND	-	-
32	PD13	FSMC/MC	SB14 open. Disconnect motor control board from CN5.
34	PD11	FSMC_A16	-
36	PD9	FSMC_D14	-
38	PB15	OneNAND_INT	Remove R53
40	PB14	MII_INT	Remove R41
42	PB12	ULPI_D5	-
44	NC	-	-
46	NC	-	-
48	APP_3V3	-	-
50	GND	-	-

Table 21. Daughterboard extension connector CN4

Pin	Description	Alternative Function	How to disconnect with function block on STM3221G-EVAL board
1	GND	-	-
3	PI6	DCMI_D6 & MC	Remove camera module from CN15. Disconnect motor control board from CN5.
5	PI4	DCMI_D5 & MC	Remove camera module from CN15. SB16 open
7	PE0	FSMC_BL0	-
9	PB8	MII_TXD3 & MC	Remove RS5 SB10 open Disconnect motor control board from CN5.
11	BOOT0	BOOT0	-
13	PB6	I2C1_SCL	Remove R103
15	PB4	TRST	-
17	PG15	User button	Remove R150
19	GND	-	-
21	PG12	Smartcard_CMDVCC & CLD_VSYNC	Remove R128
23	PG10	FSMC_NE3	Remove LCD board MB785 from CN19
25	PD7	FSMC_NE1	Remove R52
27	PD5	FSMC_NWE	-
29	PD3	FSMC_CLK	-
31	PD2	microSDCard_CMD	-
33	PD0	FSMC_D2 & CAN1_RX	JP10 open
35	PC11	microSDCard_D3 & RS232/IrDA_RX	JP22 open Remove microSD card from CN6
37	PA15	TDI	-
39	GND	-	-
2	PI7	DCMI_D7 & MC	Remove camera module from CN15 Disconnect motor control board from CN5
4	PI5	DCMI_VSYNC & MC	Remove camera module from CN15 Disconnect motor control board from CN5
6	PE1	FSMC_BL1	-
8	PB9	I2C1_SDA	Remove R111
10	GND	-	-
12	PB7	FSMC_NL	-
14	PB5	ULPI_D7 & CAN2_RX	JP10 open
16	PB3	TDO/SWO	-

Table 21. Daughterboard extension connector CN4 (continued)

Pin	Description	Alternative Function	How to disconnect with function block on STM3221G-EVAL board
18	PG14	MII_TXD1	Remove RS6
20	PG13	MII_TXD0	Remove RS6
22	PG11	MII_TX_EN	Remove RS6
24	PG9	FSMC_NE2	Remove R47
26	PD6	FSMC_NWAIT	Remove R54
28	PD4	FSMC_NOE	-
30	GND	-	-
32	PD1	FSMC_D3 & CAN1_TX	JP3 open
34	PC12	microSDCard_CLK	Remove microSD card from CN6
36	PC10	microSDCard_D2 & RS232/IrDA_TX	Remove microSD card from CN6
38	PA14	TCK/SWCLK	-
40	PI3	I2S_DIN	-

3.2 Motor control connector CN5

Figure 5. Motor Control connector CN5

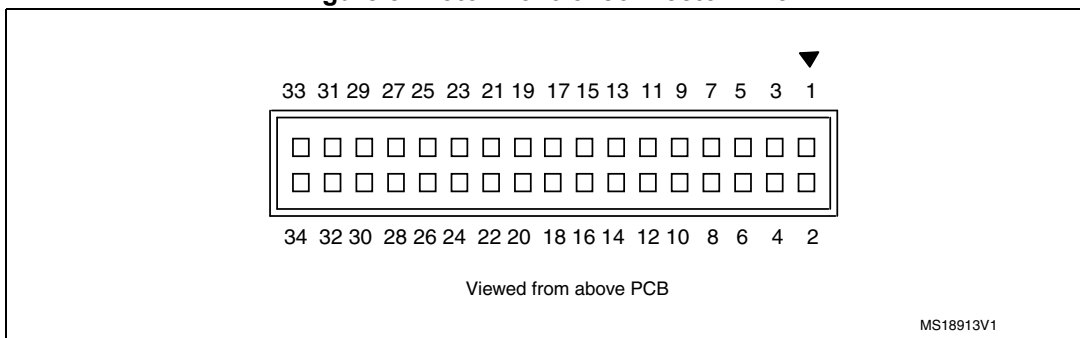


Table 22. Motor Control connector CN5

Description	STM32F217IGH6 pin	CN5 pin	CN5 pin	STM32F217IGH6 pin	Description
Emergency stop	PI4	1	2	-	GND
PWM-UH	PI5	3	4	-	GND
PWM-UL	PH13	5	6	-	GND
PWM-VH	PI6	7	8	-	GND
PWM-VL	PH14	9	10	-	GND
PWM-WH	PI7	11	12	-	GND
PWM-WL	PH15	13	14	PC4	BUS voltage

Table 22. Motor Control connector CN5 (continued)

Description	STM32F217IGH6 pin	CN5 pin	CN5 pin	STM32F217IGH6 pin	Description
Phase A current	PC1	15	16	-	GND
Phase B current	PC2	17	18	-	GND
Phase C current	PC3	19	20	-	GND
NTC bypass relay	PH8	21	22	-	GND
Dissipative brake PWM	PC8	23	24	-	GND
+5V power	+5V	25	26	PC5	Heatsink temperature
PFC SYNC	PH10 and PH11	27	28	-	VDD_Micro
PFC PWM	PH12	29	30	-	GND
Encoder A	PD12	31	32	-	GND
Encoder B	PD13	33	34	PB8	Encoder Index

3.3 microSD connector CN6

Figure 6. microSD connector CN6

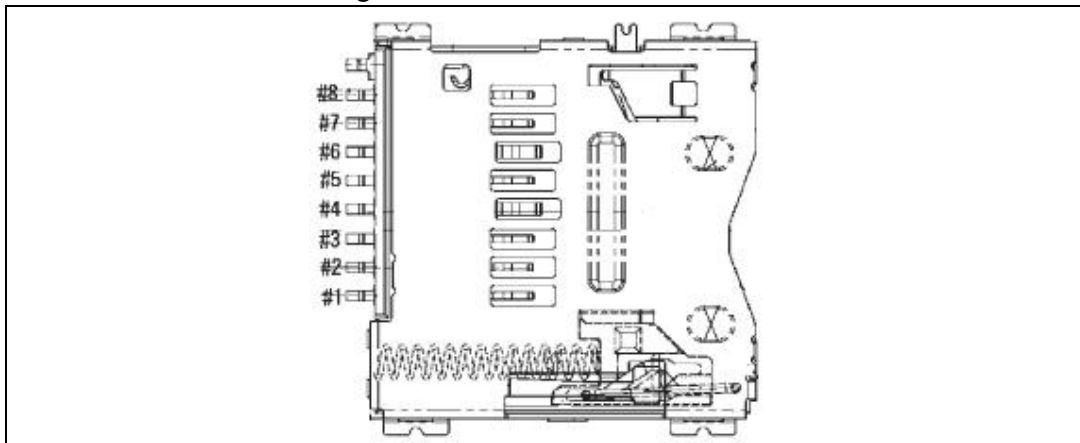


Table 23. microSD connector CN6

Pin number	Description	Pin number	Description
1	SDIO_D2 (PC10)	5	SDIO_CLK (PC12)
2	SDIO_D3 (PC11)	6	Vss/GND
3	SDIO_CMD (PD2)	7	SDIO_D0 (PC8)
4	+3V3	8	SDIO_D1 (PC9)
-	-	10	microSDCard_detect (PH13)

3.4 Ethernet RJ45 connector CN7

Figure 7. Ethernet RJ45 connector CN7

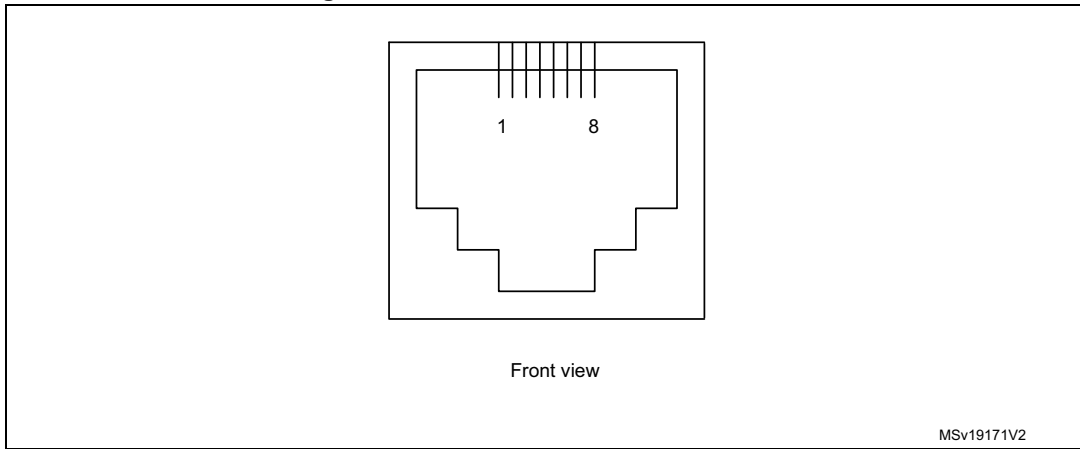


Table 24. RJ45 connector CN7

Pin number	Description	Pin number	Description
1	TxData+	2	TxData-
3	RxData+	4	Shield
5	Shield	6	RxData-
7	Shield	8	Shield

3.5 USB OTG FS Micro-AB connector CN8

Figure 8. USB OTG FS Micro-AB connector CN8

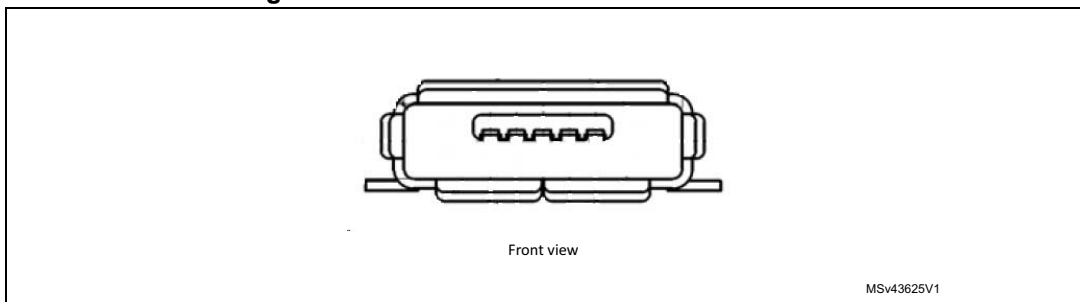


Table 25. USB OTG FS Micro-AB connector CN8

Pin number	Description	Pin number	Description
1	VBUS (PA9)	4	ID (PA10)
2	D- (PA11)	5	GND
3	D+ (PA12)	-	-

3.6 USB OTG HS Micro-AB connector CN9

Figure 9. USB OTG HS Micro-AB connector CN9

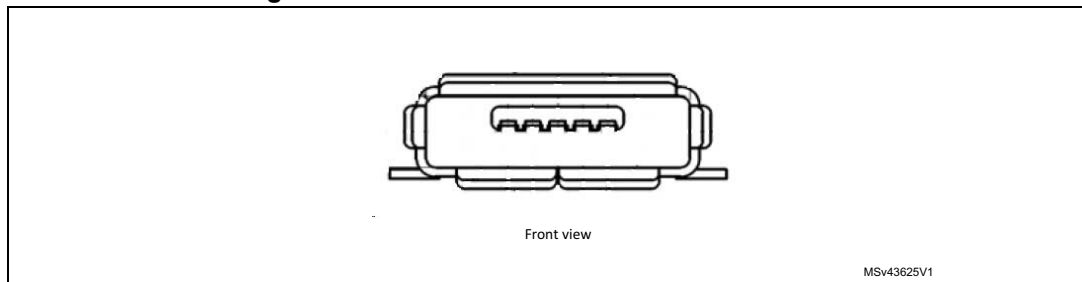


Table 26. USB OTG HS Micro-AB connector CN9

Pin number	Description	Pin number	Description
1	VBUS	4	ID
2	D-	5	GND
3	D+	-	-

3.7 CAN D-type 9-pin male connectors CN10 (CAN1 or CAN2)

Figure 10. CAN D-type 9-pin male connector CN10 (CAN1 or CAN2)

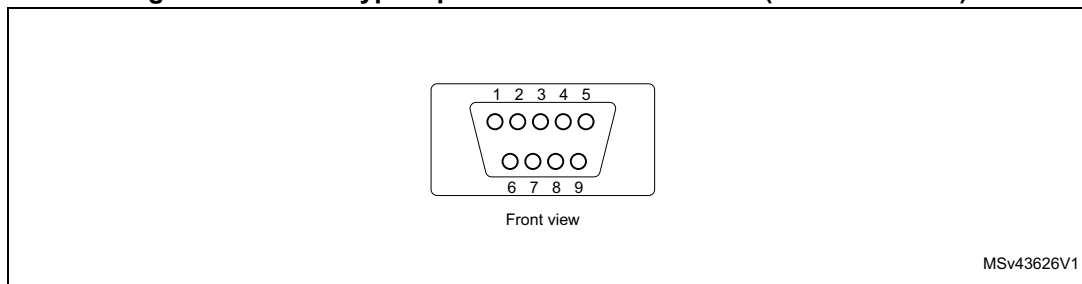


Table 27. CAN D-type 9-pin male connector CN10 (CAN1 or CAN2)

Pin number	Description	Pin number	Description
1,4,8,9	NC	7	CANH
3,5,6	GND	2	CANL

3.8 Audio connector CN11

A 3.5 mm stereo audio jack CN11 is available on the STM3221G-EVAL board to support a headset (headphone & microphone integrated).

3.9 Trace debug connector CN13

Figure 11. Trace debug connector CN13

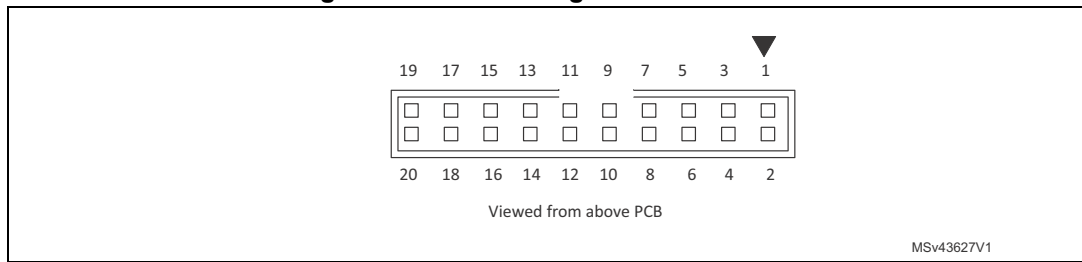


Table 28. Trace debugging connector CN13

Pin number	Description	Pin number	Description
1	3.3 V power	2	TMS/PA13
3	GND	4	TCK/PA14
5	GND	6	TDO/PB3
7	KEY	8	TDI/PA15
9	GND	10	RESET#
11	GND	12	TraceCLK/PE2
13	GND	14	TraceD0/PE3 or SWO/PB3
15	GND	16	TraceD1/PE4 or nTRST/PB4
17	GND	18	TraceD2/PE5
19	GND	20	TraceD3/PE6

3.10 JTAG debug connector CN14

Figure 12. JTAG debug connector CN14

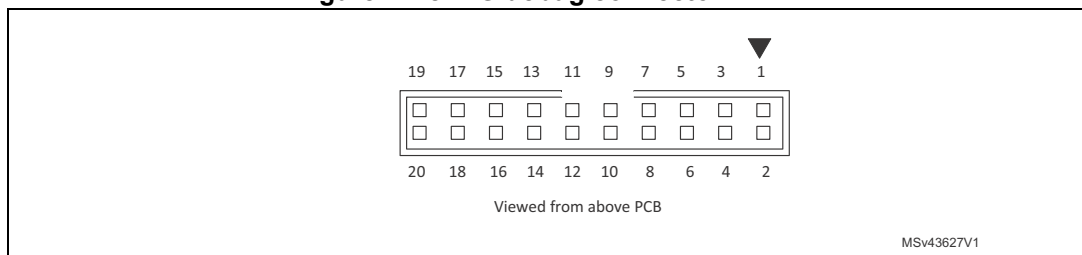


Table 29. JTAG debug connector CN14

Pin number	Description	Pin number	Description
1	3.3 V power	2	3.3 V power
3	PB4	4	GND
5	PA15	6	GND
7	PA13	8	GND

Table 29. JTAG debug connector CN14 (continued)

Pin number	Description	Pin number	Description
9	PA14	10	GND
11	RTCK	12	GND
13	PB3	14	GND
15	RESET#	16	GND
17	DBGREQ	18	GND
19	DBGACK	20	GND

3.11 Camera module connector CN15

Figure 13. Camera module connector CN15

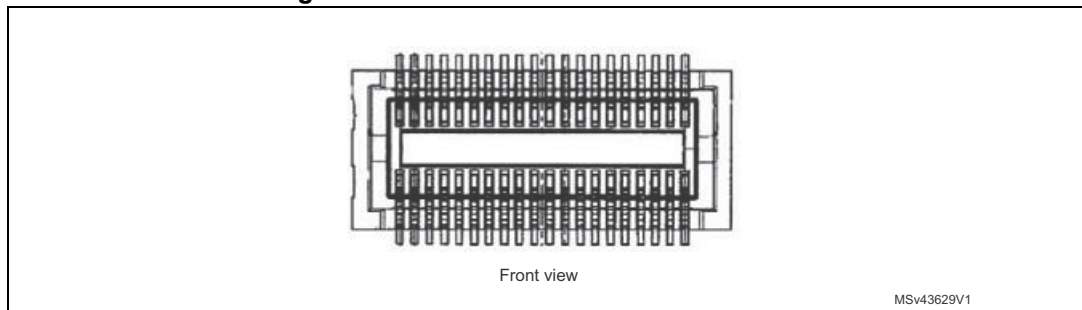


Table 30. Camera module connector CN15

Pin number	Description	Pin number	Description
1	DGND	13	XCLK1
2	DGND	14	Y6(PI6)
3	SIO_D (PB9)	15	DGND
4	AVDD (2.8V)	16	Y5(PI4)
5	SIO_C (PB6)	17	PCLK (PA6)
6	RESET	18	Y4(PH14)
7	VSYN (PI5)	19	Y0 (PH9)
8	PWDN	20	Y3(PH12)
9	HREF (PH8)	21	Y1(PH10)
10	DVDD (1.8V)	22	Y2(PH11)
11	DOVDD (2.8V)	23	AGND
12	Y7(PI7)	24	AGND

3.12 RS-232 connector CN16

Figure 14. RS-232 connector CN16 with ISP support

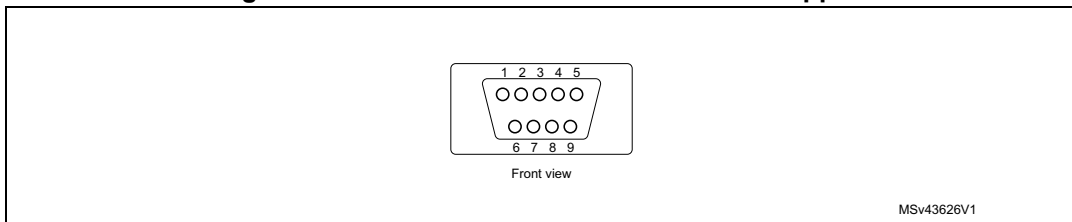


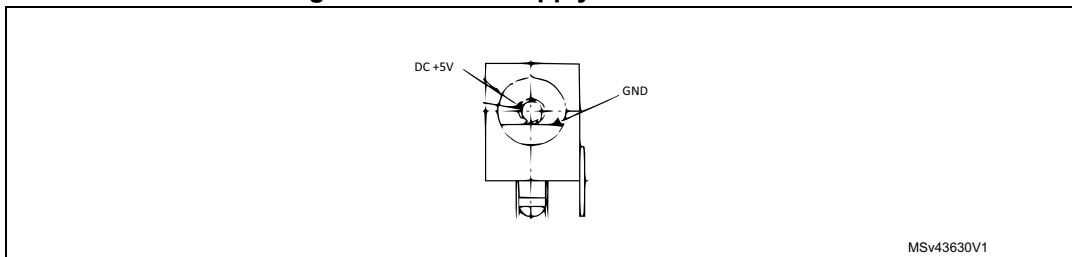
Table 31. RS-232 connector CN16 with ISP support

Pin number	Description	Pin number	Description
1	NC	6	Bootloader_BOOT0
2	RS232_RX (PC11)	7	NC
3	RS232_TX (PC10)	8	Bootloader_RESET
4	NC	9	NC
5	GND	-	-

3.13 Power connector CN18

The STM3221G-EVAL evaluation board can be powered from a 5 V DC power supply via the external power supply jack (CN18) shown in [Figure 15](#). The central pin of CN18 must be positive.

Figure 15. Power supply connector CN18



3.14 TFT LCD connector CN19

One 34-pin male header CN19 is available on the board for connecting LCD module board MB785. Please refer to [Section 2.21: Display and input devices](#) for details.

3.15 Smartcard connector CN20

Figure 16. Smartcard connector CN20

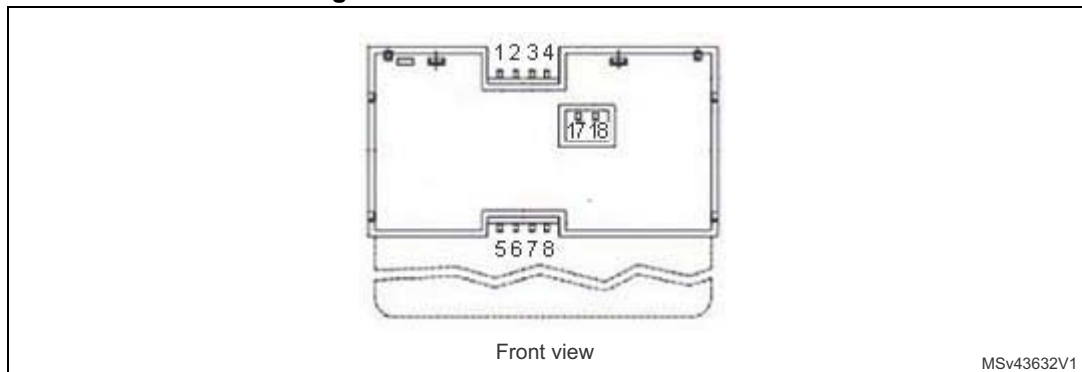


Table 32. Smartcard connector CN20

Pin number	Description	Pin number	Description
1	VCC	5	GND
2	RST	6	NC
3	CLK	7	I/O
4	NC	8	NC
17	Card presence detection pin	18	Card presence detection pin

3.16 ST-LINK/V2 connector CN21

The USB type B connector CN21 is for ST-LINK/V2 connected between the STM3221G-EVAL evaluation board and the PC for board debugging.

3.17 Camera extension connector CN23

Table 33. Camera extension connector CN23

Pin number	Description	Pin number	Description
1	+1V8	2	+1V8
3	GND	4	GND
5	NC	6	NC
7	GND	8	GND
9	NC	10	NC
11	GND	12	GND
13	SCL	14	SDA
15	Camera_Plug	16	GND
17	Camera_RST	18	NC

Table 33. Camera extension connector CN23 (continued)

Pin number	Description	Pin number	Description
19	Camera_XSDN	20	Camera_CLK
21	GND	22	GND
23	DCMI_D0	24	DCMI_D1
25	DCMI_D2	26	DCMI_D3
27	DCMI_D4	28	DCMI_D5
29	DCMI_D6	30	DCMI_D7
31	HSYSC	32	VSYS
33	PIXCLK	34	NC
35	NC	36	NC
37	GND	38	GND
39	+2V8	40	+2V8

3.18 STM3221G-EVAL pinout

Table 34. STM3221G-EVAL pinout

Pin no.	Pin name	Description
A2	PE2	TRACE_CLK / FSMC_A23
A1	PE3	TRACE_D0 / FSMC_A19
B1	PE4	TRACE_D1 / FSMC_A20
B2	PE5	TRACE_D2 / FSMC_A21
B3	PE6	TRACE_D3 / FSMC_A22
C1	VBAT	VBAT
D2	PI8- ANTI TAMP2	LCD_HSYNC
D1	PC13-ANTI_TAMP	ANTI-TAMPER_BUTTON
E1	PC14-OSC32_IN	32K_OSC
F1	PC15-OSC32_OUT	32K_OSC
D3	PI9	LED2
E3	PI10	ETHER_RX_ER
E4	PI11	USB_HS_DIR
F2	VSS_13	-
F3	VDD_13	-
E2	PF0	FSMC_A0
H3	PF1	FSMC_A1
H2	PF2	FSMC_A2
J2	PF3	FSMC_A3

Table 34. STM3221G-EVAL pinout (continued)

Pin no.	Pin name	Description
J3	PF4	FSMC_A4
K3	PF5	FSMC_A5
G2	VSS_5	-
G3	VDD_5	-
K2	PF6	SmartCard_OFF
K1	PF7	SmartCard_RESET
L3	PF8	LCD_CS
L2	PF9	POTENTIOMETER
L1	PF10	Audio_IN
G1	PH0 - OSC_IN	OSC_IN
H1	PH1 - OSC_OUT	OSC_OUT
J1	NRST	RESET_BUTTON
M2	PC0	USB_HS_STP
M3	PC1	ETHER_MDC / MC_ADC123_11 pin 15 (Current A)
M4	PC2	ETHER_TXD2 / MC_ADC123_1 2 pin 17 (Current B)
M5	PC3	ETHER_TX_CLK / MC_ADC123_13 pin 19 (Current C)
M1	VSSA	-
N1	VREF-	-
P1	VREF+	-
R1	VDDA	-
N3	PA0-WKUP	WAKEUP_BUTTON
N2	PA1	ETHER_RX_CLK
P2	PA2	ETHER_MDIO
F4	PH2	ETHER_CRS
G4	PH3	ETHER_COL
H4	PH4	USB_HS_NXT
J4	PH5	USB_FS_POWER_ON
R2	PA3	USB_HS_D0
L4	BYPASS	BYPASS
K4	VDD_4	-
N4	PA4	Audio_DAC_OUT
P4	PA5	USB_HS_CK
P3	PA6	CAM_PIXCK
R3	PA7	ETHER_DV
N5	PC4	ETHER_RXD0 / MC_ADC12_14 pin 14 (Bus voltage)

Table 34. STM3221G-EVAL pinout (continued)

Pin no.	Pin name	Description
P5	PC5	ETHER_RXD1 / MC_ADC12_15 pin 26 (Heatsink temperature)
R5	PB0	USB_HS_D1
R4	PB1	USB_HS_D2
M6	PB2	BOOT1 /
R6	PF11	USB_FS_OVERCURRENT
P6	PF12	FSMC_A6
M8	VSS6	-
N8	VDD_6	-
N6	PF13	FSMC_A7
R7	PF14	FSMC_A8
P7	PF15	FSMC_A9
N7	PG0	FSMC_A10
M7	PG1	FSMC_A11
R8	PE7	FSMC_D4
P8	PE8	FSMC_D5
P9	PE9	FSMC_D6
M9	VSS_7	-
N9	VDD_7	-
R9	PE10	FSMC_D7
P10	PE11	FSMC_D8
R10	PE12	FSMC_D9
N11	PE13	FSMC_D10
P11	PE14	FSMC_D11
R11	PE15	FSMC_D12
R12	PB10	USB_HS_D3
R13	PB11	ULPI_D4
M10	VCAP1	VCAP / 1.2V
N10	VDD_1	-
M11	PH6	ETHER_RXD2
N12	PH7	ETHER_RXD3
M12	PH8	CAM_HSYNC / MC_NTC_bypass
M13	PH9	CAM_D0
L13	PH10	CAM_D1 / MC_TIM5_ETR pin 27 (PFC SYNC)
L12	PH11	CAM_D2 / MC_TIM3_CH2 pin 27 (PFCSYNC)

Table 34. STM3221G-EVAL pinout (continued)

Pin no.	Pin name	Description
K12	PH12	CAM_D3 / TIM5_CH3 pin 29 (PFCPWM)
H12	VSS_14	-
J12	VDD_14	-
P12	PB12	ULPI_D5
P13	PB13	ULPI_D6 / CAN2_TX
R14	PB14	ETHER_INT
R15	PB15	OneNAND_INT
P15	PD8	FSMC_D13
P14	PD9	FSMC_D14
N15	PD10	FSMC_D15
N14	PD11	FSMC_A16
N13	PD12	FSMC_A17 / MC_TIM4_CH2 pin 33 (EnB)
M15	PD13	FSMC_A18 / MC_TIM4_CH2 pin 33 (EnB)
J13	VDD_8	-
M14	PD14	FSMC_D0
L14	PD15	FSMC_D1
L15	PG2	FSMC_A12
K15	PG3	FSMC_A13
K14	PG4	FSMC_A14
K13	PG5	FSMC_A15
J15	PG6	LED0
J14	PG7	SmartCard_CK
H14	PG8	LED1
G12	VSS_9	-
H13	VDD_9	-
H15	PC6	SmartCard_IO / Audio_I2S_MCK
G15	PC7	LED3
G14	PC8	SDIO_D0/ MC_TIM3_CH3 pin23 (Dissipative Brake)
F14	PC9	SDIO_D1 I2S_CKIN
F15	PA8	MCO
E15	PA9	USB_FS_VBUS
D15	PA10	USB_FS_ID
C15	PA11	USB_FS_DM
B15	PA12	USB_FS_DP
A15	PA13	JTAG_TMS

Table 34. STM3221G-EVAL pinout (continued)

Pin no.	Pin name	Description
F13	VCAP2	VCAP / 1.2V
F12	VSS 2	-
G13	VDD_2	-
E12	PH13	MC_TIM8_CH1N pin 5 (UL) / microSDCard_detect
E13	PH14	CAM_D4 / MC_TIM8_CH2N pin 9 (VL)
D13	PH15	MC_TIM8_CH3N pin 13 (WL) / SmartCard_3/5V
E14	PI0	Audio_I2S_WS
D14	PI1	Audio_I2S_CK
C14	PI2	Expander_INT
C13	PI3	Audio_I2S_DOOUT
D9	VSS_15	-
C9	VDD_15	-
A14	PA14	JTAG_TCK
A13	PA15	JTAG_TDI
B14	PC10	SDIO_D2 / RS232_TX
B13	PC11	SDIO_D3 / RS232_RX
A12	PC12	SDIO_CK
B12	PD0	FSMC_D2 / CAN1_RX
C12	PD1	FSMC_D3 / CAN1_TX
D12	PD2	SDIO_CMD
D11	PD3	FSMC_CLK
D10	PD4	FSMC_NOE
C11	PD5	FSMC_NWE
D8	VSS_10	-
C8	VDD_10	-
B11	PD6	FSMC_NWAIT
A11	PD7	FSMC_NE1
C10	PG9	FSMC_NE2
B10	PG10	FSMC_NE3
B9	PG11	ETHER_TXEN
B8	PG12	SmartCard_CMDVCC
A8	PG13	ETHER_TXD0
A7	PG14	ETHER_TXD1
D7	VSS_11	-
C7	VDD_11	-

Table 34. STM3221G-EVAL pinout (continued)

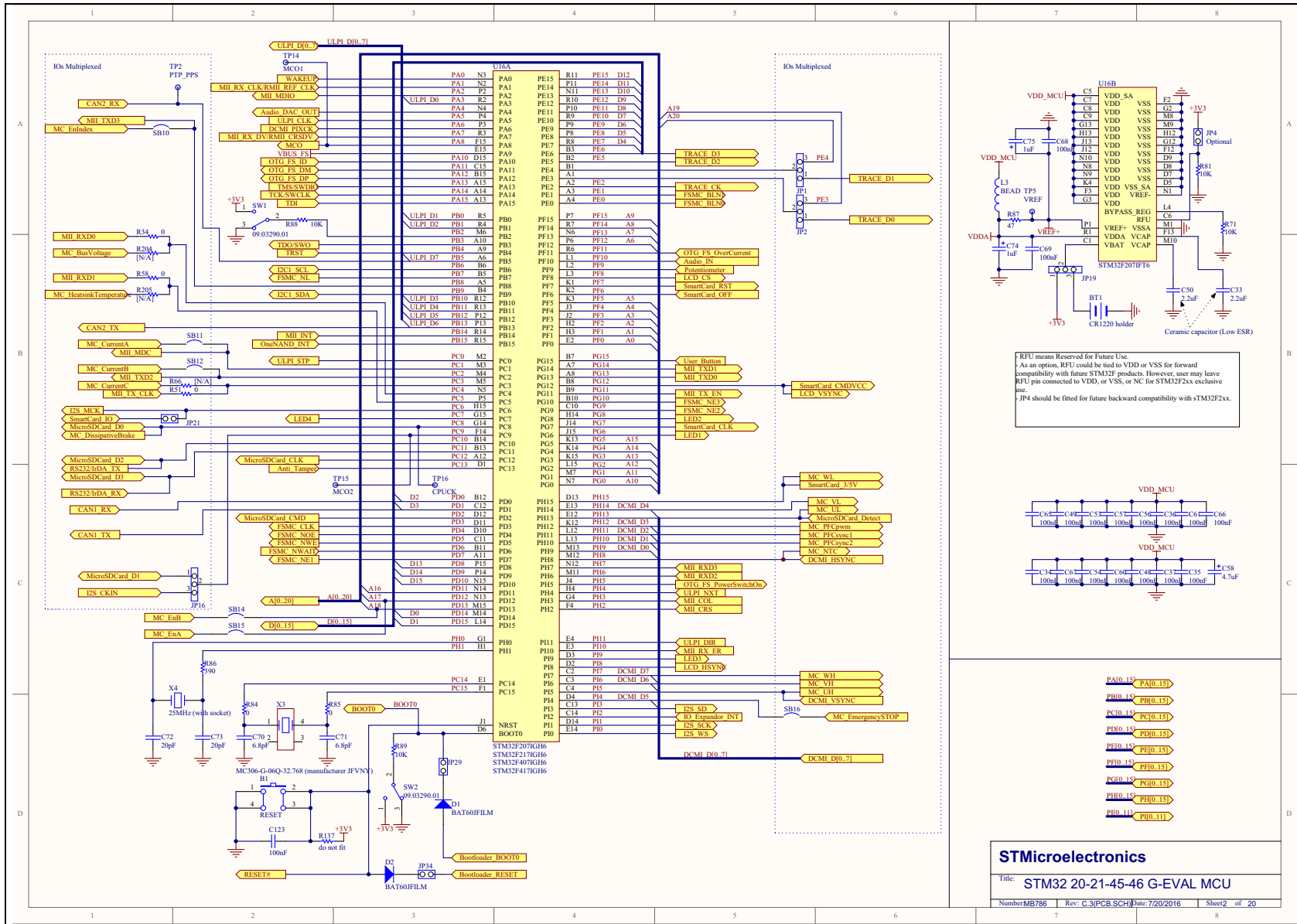
Pin no.	Pin name	Description
B7	PG15	USER_BUTTON
A10	PB3	JTAG_TDO
A9	PB4	JTAG_TRST
A6	PB5	CAN2_RX / ETHER_PPS_OUT / ULPI_D7
B6	PB6	I2C1_SCL
B5	PB7	FSMC_NL
D6	BOOT0	BOOT0
A5	PB8	ETHER_TXD3 / MC_TIM4_CH3 pin 34 (Index)
B4	PB9	I2C1_SDA
A4	PE0	FSMC_NBL0
A3	PE1	FSMC_NBL1
D5	VSS_SA	-
C6	VDD_3	POR Disable
C5	VDD_SA	-
D4	PI4	CAM_D5 / MC_TIM8_BKIN pin 1 (Stop)
C4	PI5	CAM_VSYNC / MC_TIM8_CH1 pin 3 (UH)
C3	PI6	CAM_D6 / MC_TIM8_CH2 pin 7 (VH)
C2	PI7	CAM_D7 / MC_TIM8_CH3 pin 11 (WH)

Appendix A Schematics

Appendix A contains the schematic diagrams listed below:

- [Figure 17: STM3221G-EVAL on page 46](#)
- [Figure 18: MCU on page 47](#)
- [Figure 19: USB OTG HS on page 48](#)
- [Figure 20: Camera on page 49](#)
- [Figure 21: Ethernet on page 50](#)
- [Figure 22: Audio on page 51](#)
- [Figure 23: USB OTG FS on page 52](#)
- [Figure 24: SRAM on page 53](#)
- [Figure 25: LCD on page 54](#)
- [Figure 26: RS-232 and IrDA on page 55](#)
- [Figure 27: CAN on page 56](#)
- [Figure 28: I/O peripherals on page 57](#)
- [Figure 29: I/O expander on page 58](#)
- [Figure 30: microSD card on page 59](#)
- [Figure 31: Motor control on page 60](#)
- [Figure 32: Smartcard on page 61](#)
- [Figure 33: JTAG and trace on page 62](#)
- [Figure 34: Power on page 63](#)
- [Figure 35: Extension connector on page 64](#)
- [Figure 36: STLINK/V2 on page 65](#)
- [Figure 37: 3.2" LCD module with SPI and 16-bit interface on page 66](#)

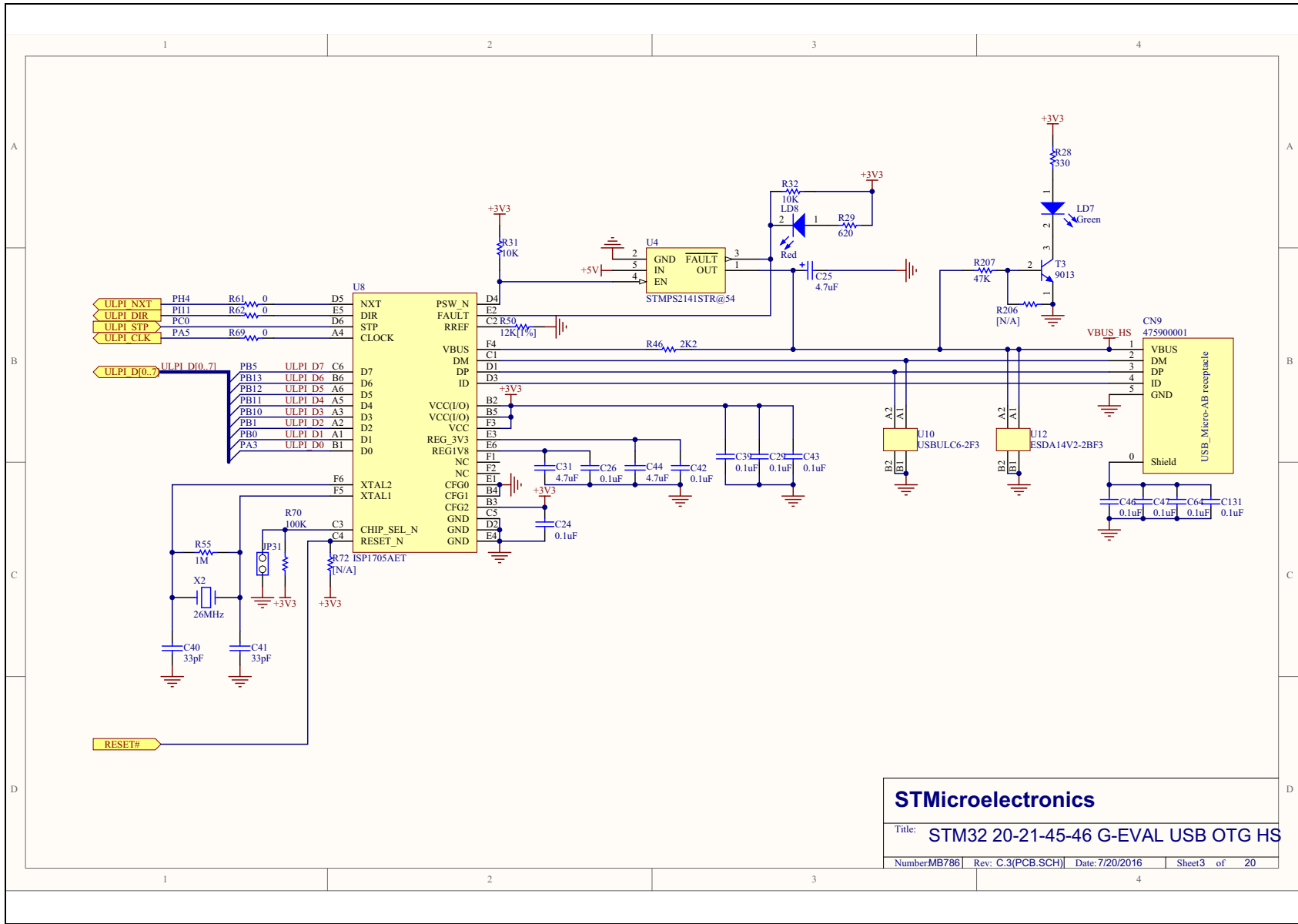
Figure 18. MCU



STMicroelectronics
 Title: **STM32 20-21-45-46 G-EVAL MCU**
 NumberMB786 Rev: C3(PCB SCH) Date: 7/20/2016 Sheet 2 of 20

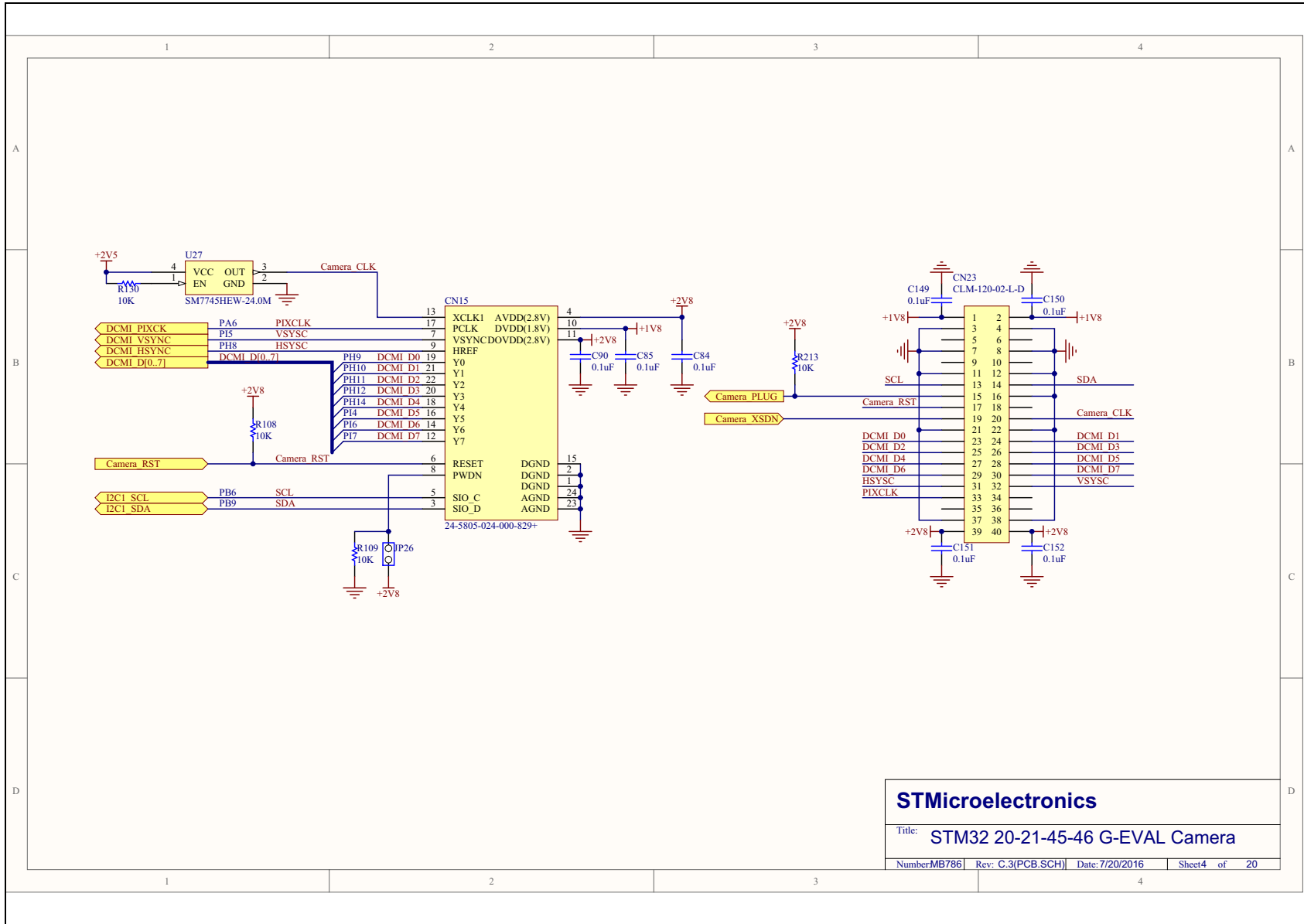


Figure 19. USB OTG HS



STMicroelectronics
 Title: STM32 20-21-45-46 G-EVAL USB OTG HS
 Number MB786 | Rev: C.3(PCB.SCH) | Date: 7/20/2016 | Sheet 3 of 20

Figure 20. Camera



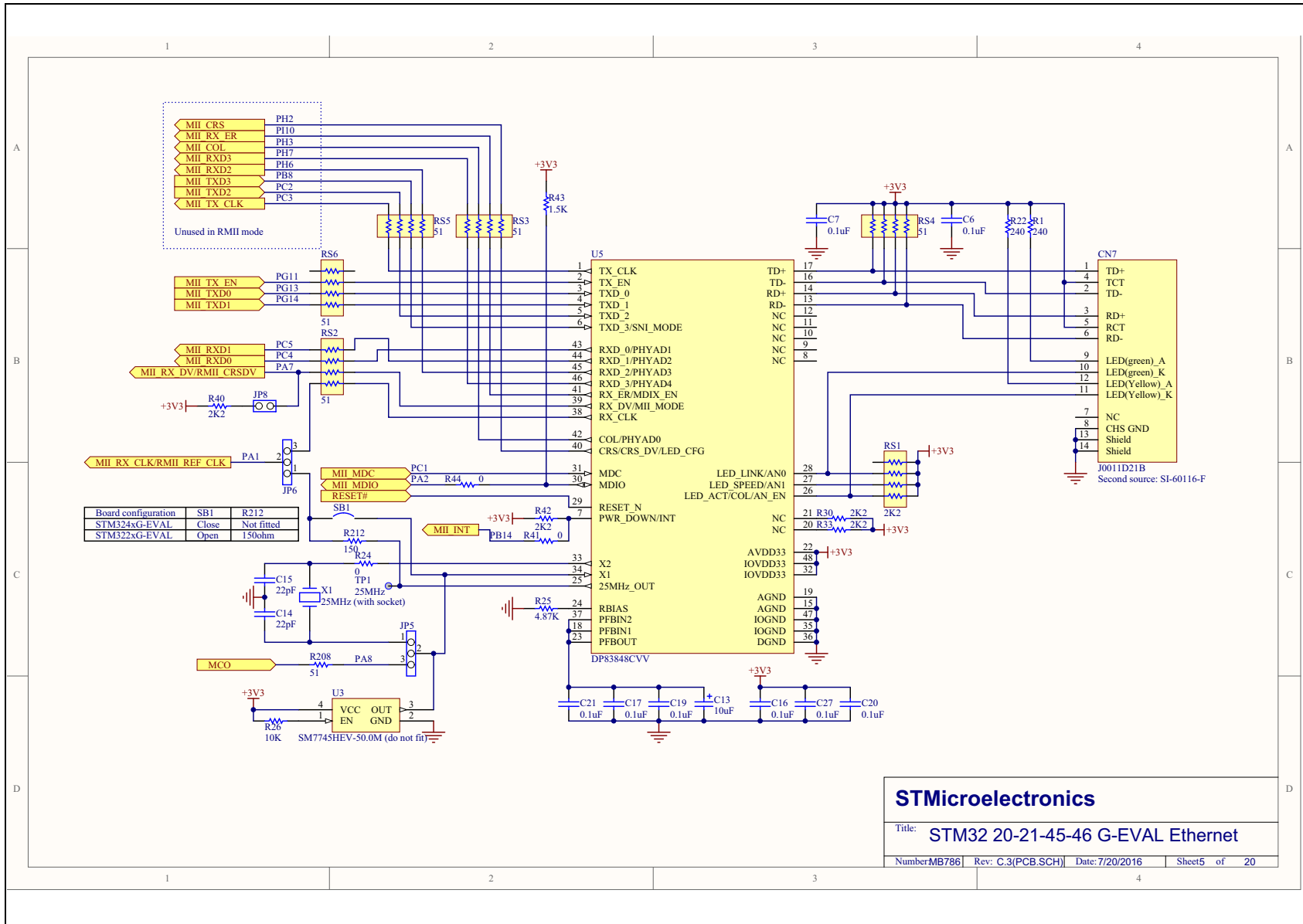
STMicroelectronics

Title: STM32 20-21-45-46 G-EVAL Camera

Number MB786 | Rev: C_3(PCB.SCH) | Date: 7/20/2016 | Sheet 4 of 20



Figure 21. Ethernet

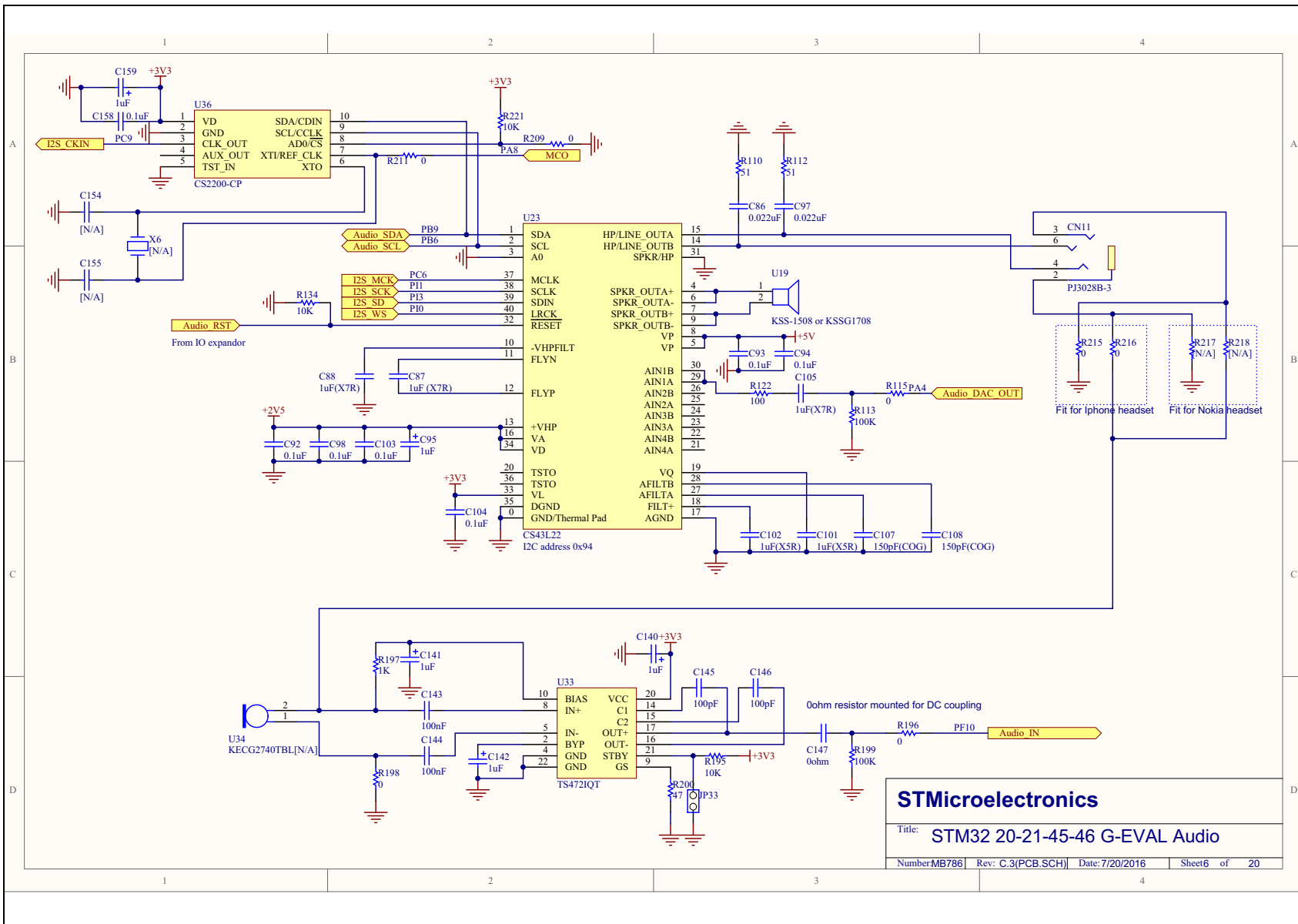


STMicroelectronics

Title: STM32 20-21-45-46 G-EVAL Ethernet

Number MB786 Rev: C.3(PCB.SCH) Date: 7/20/2016 Sheet 5 of 20

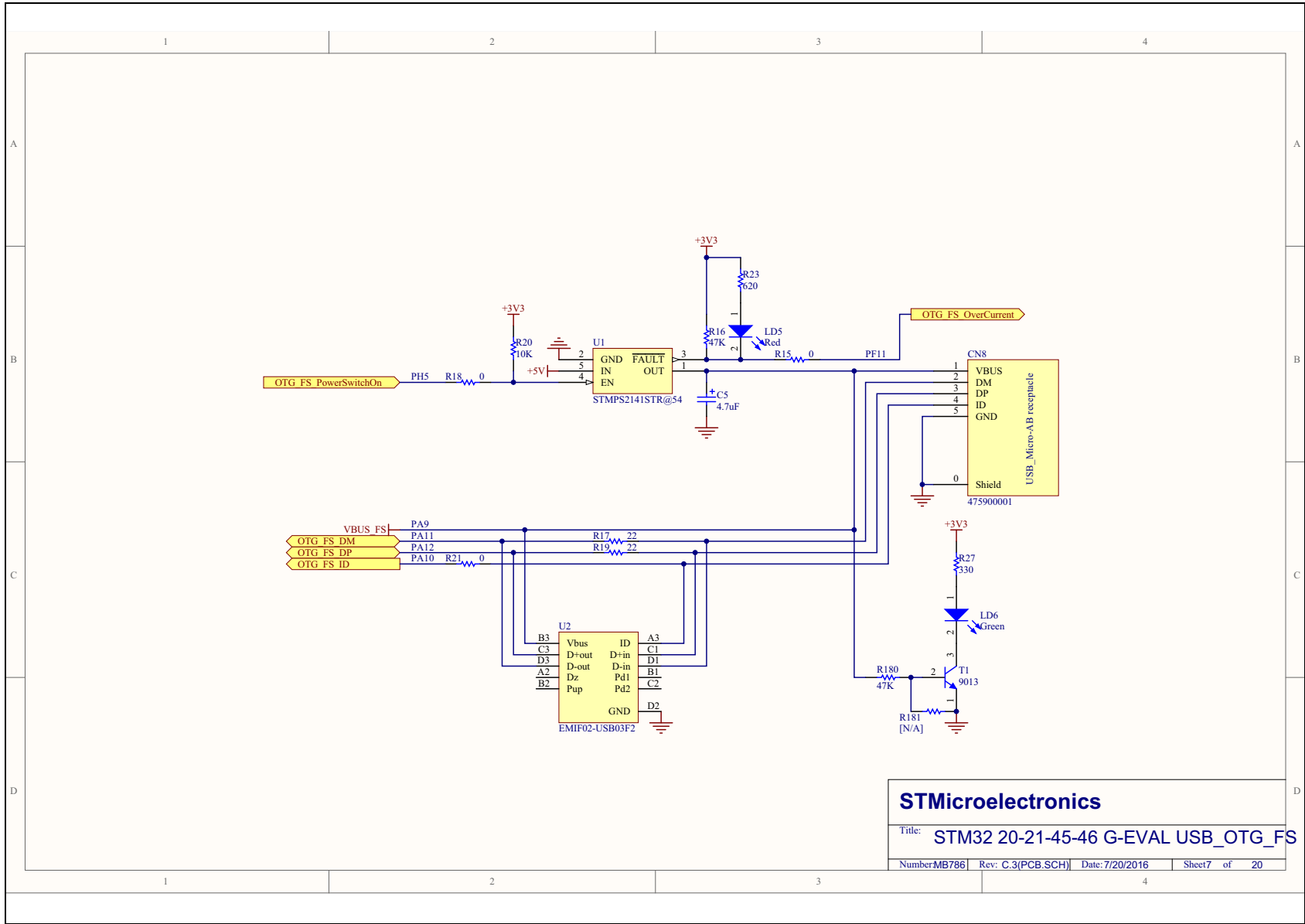
Figure 22. Audio



STMicroelectronics
 Title: STM32 20-21-45-46 G-EVAL Audio
 Number MB786 | Rev: C.3(PCB.SCH) | Date: 7/20/2016 | Sheet 6 of 20



Figure 23. USB OTG FS



STMicroelectronics

Title: **STM32 20-21-45-46 G-EVAL USB_OTG_FS**

Number MB786 Rev: C.3(PCB_SCH) Date: 7/20/2016 Sheet 7 of 20

Figure 24. SRAM

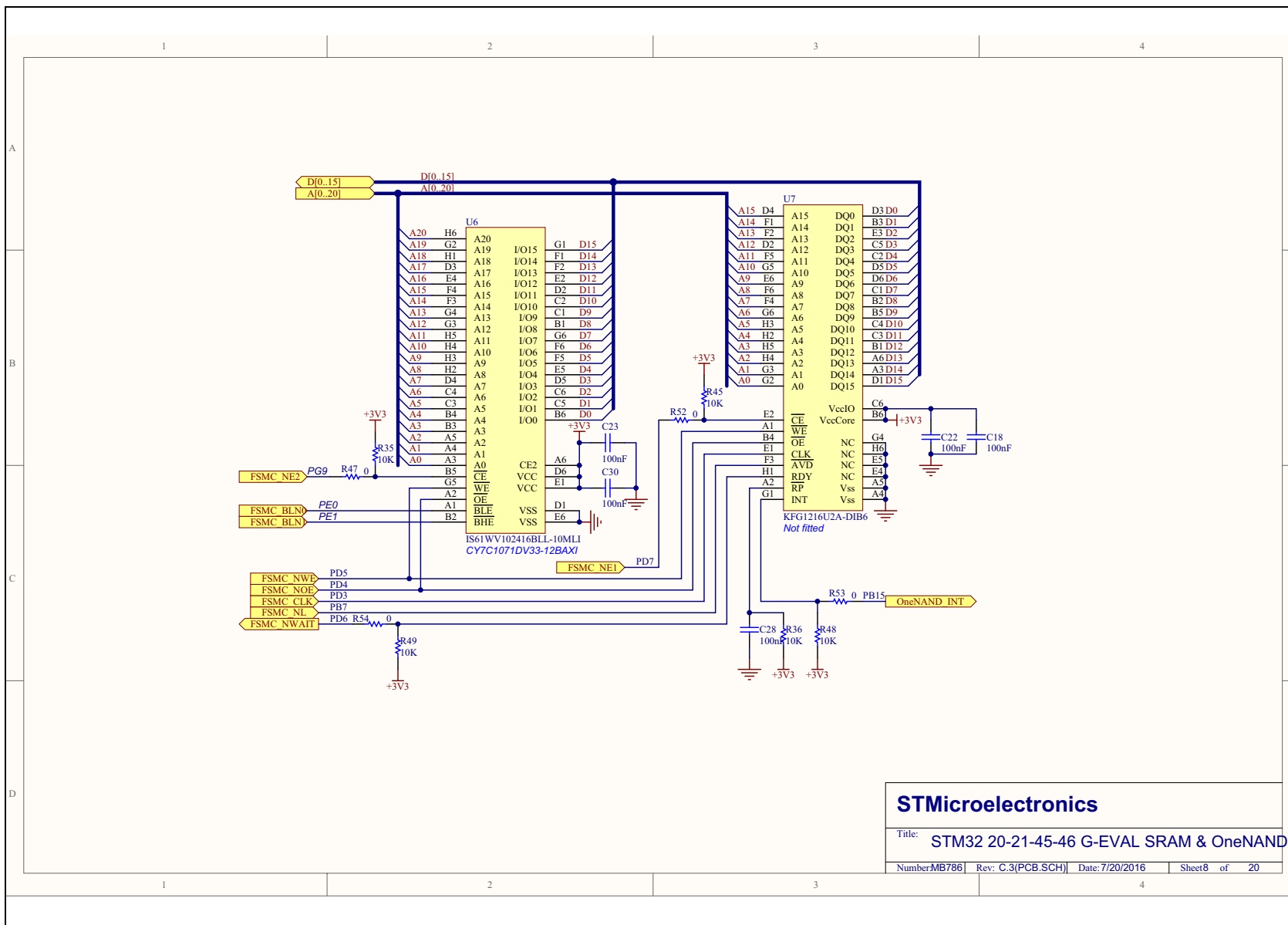




Figure 25. LCD

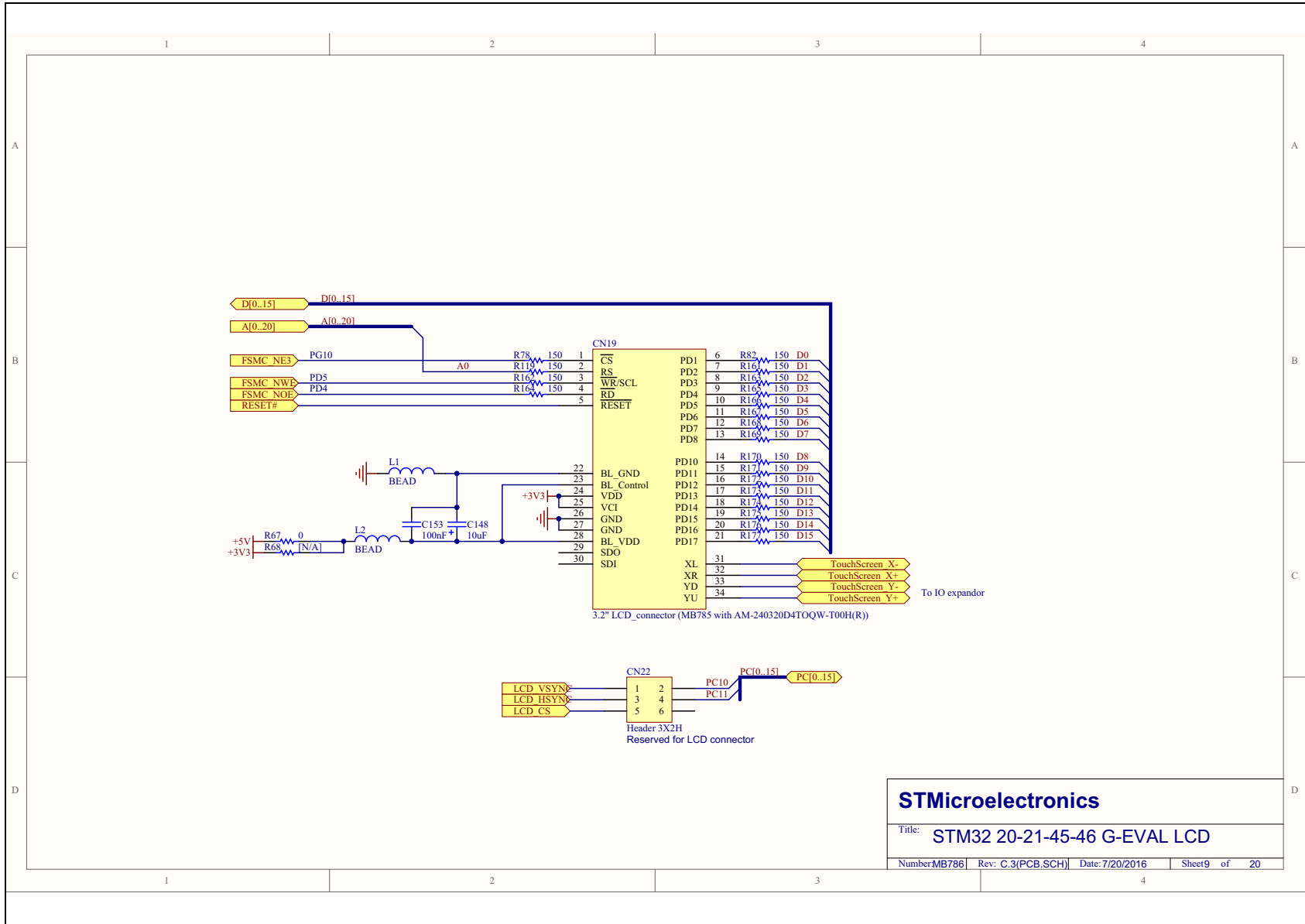


Figure 26. RS-232 and IrDA

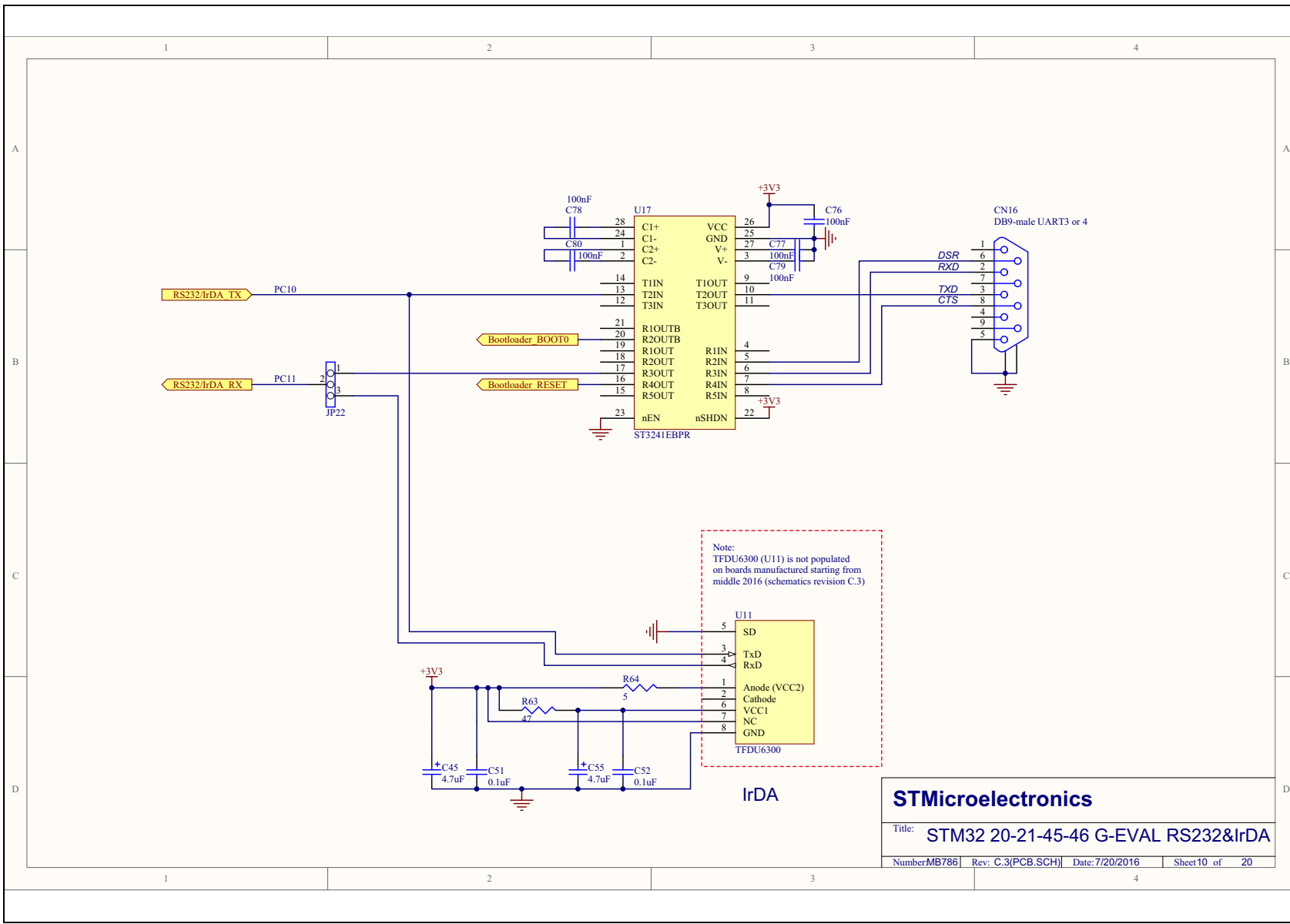
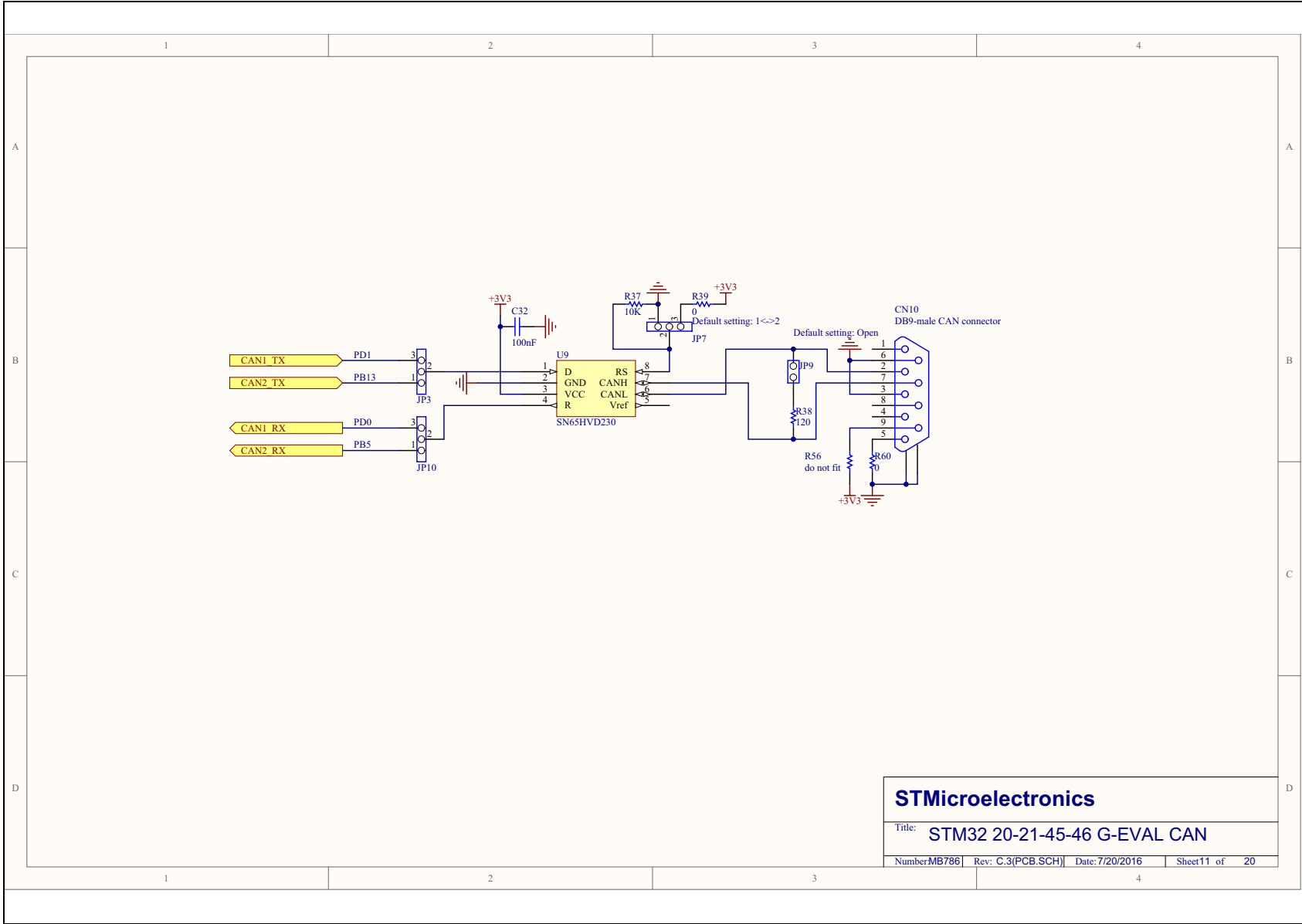


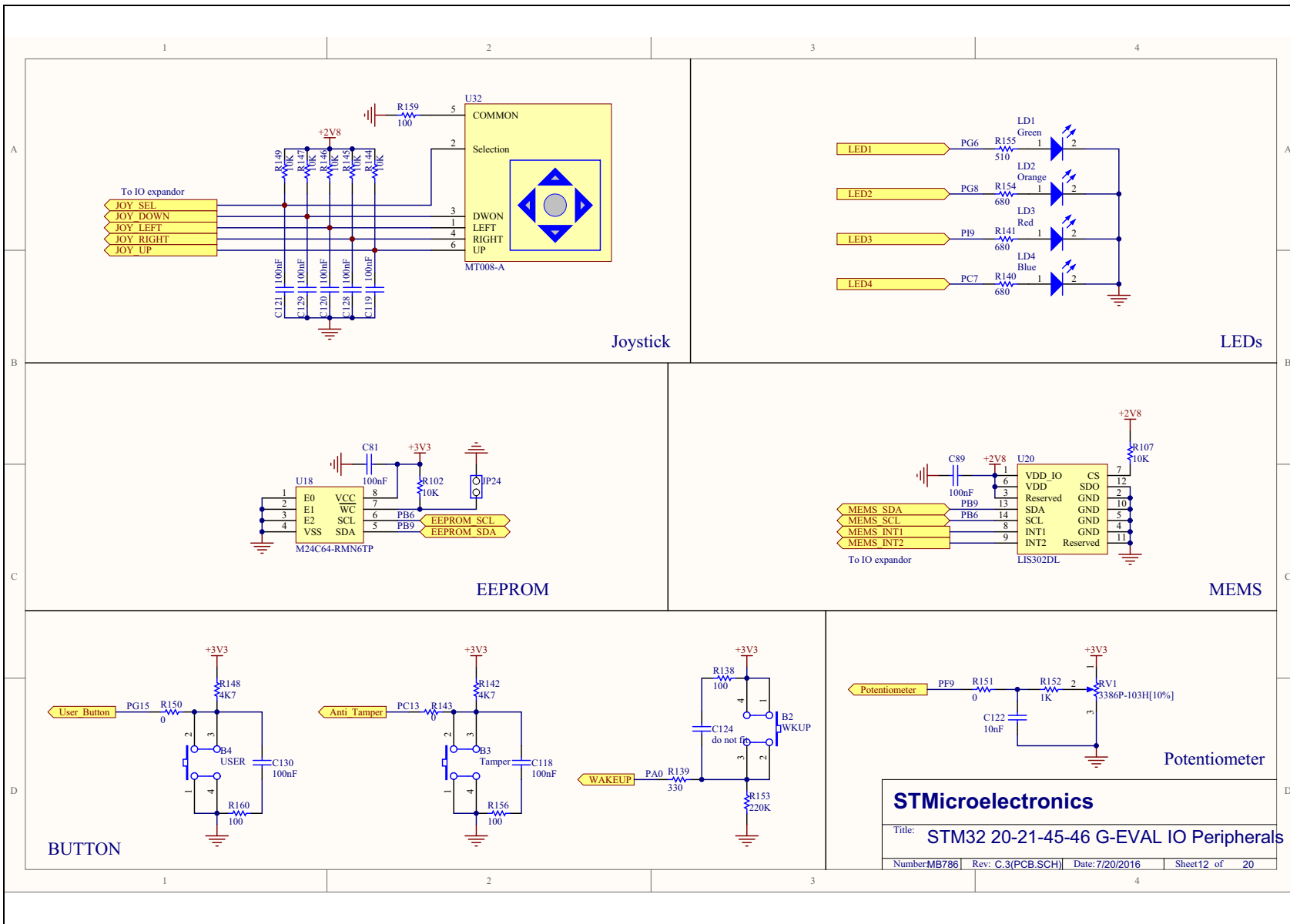


Figure 27. CAN



STMicroelectronics			
Title: STM32 20-21-45-46 G-EVAL CAN			
Number MB786	Rev: C.3(PCB.SCH)	Date: 7/20/2016	Sheet 11 of 20

Figure 28. I/O peripherals



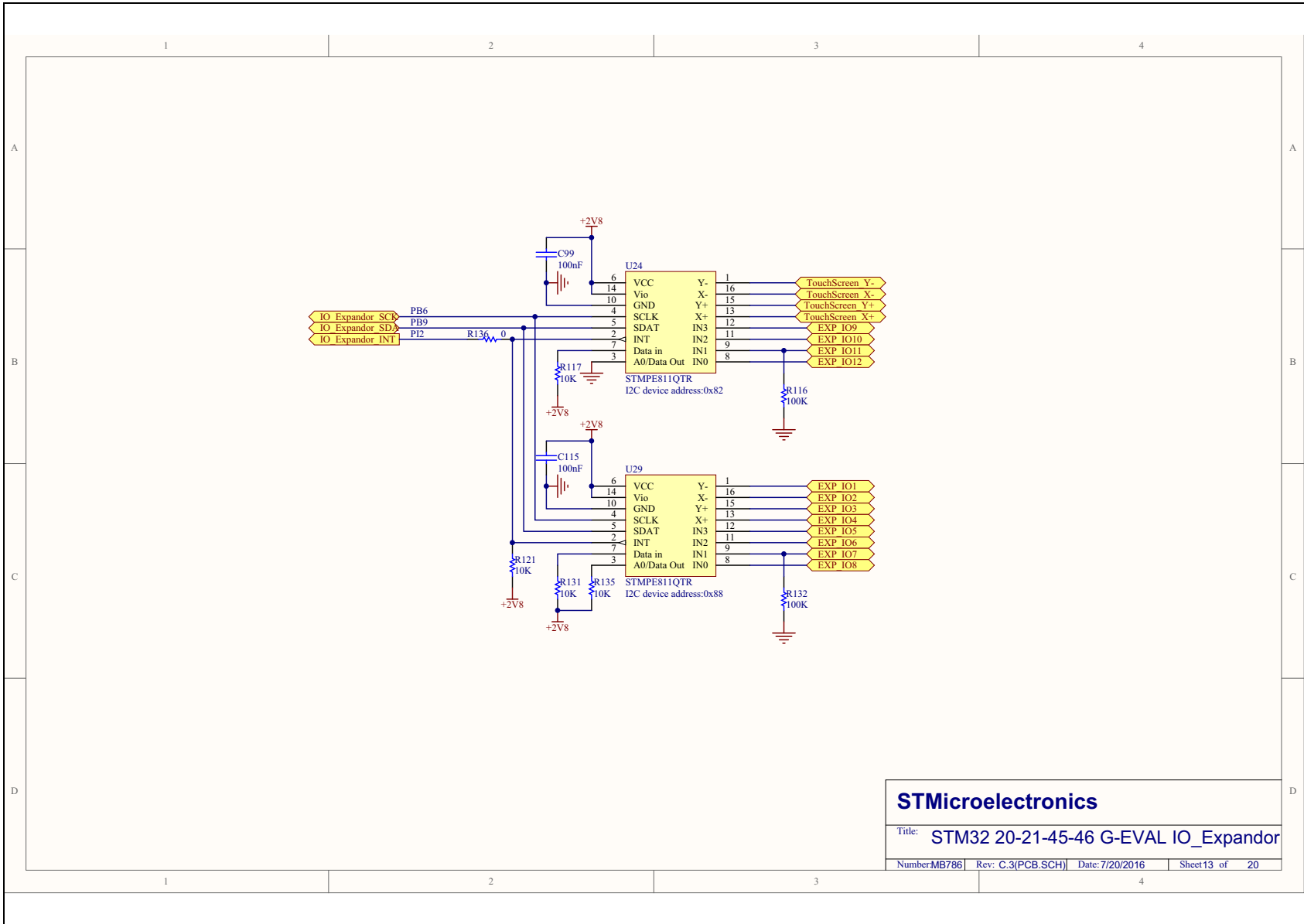
STMicroelectronics

Title: STM32 20-21-45-46 G-EVAL IO Peripherals

Number MB786 | Rev: C.3(PCB.SCH) | Date: 7/20/2016 | Sheet 12 of 20



Figure 29. I/O expander



STMicroelectronics			
Title: STM32 20-21-45-46 G-EVAL IO_Expander			
Number MB786	Rev: C.3(PCB.SCH)	Date: 7/20/2016	Sheet 13 of 20

Figure 30. microSD card

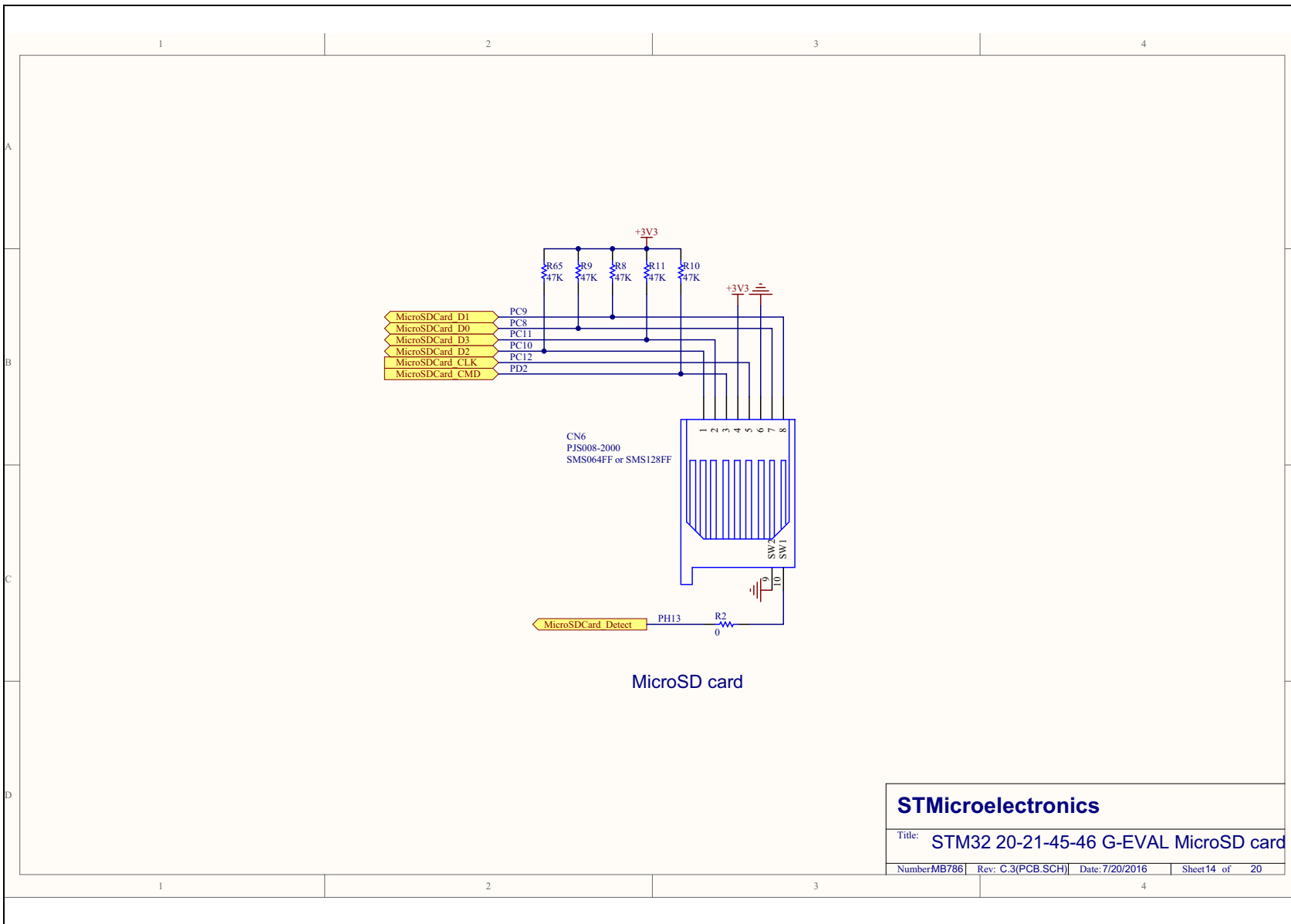




Figure 31. Motor control

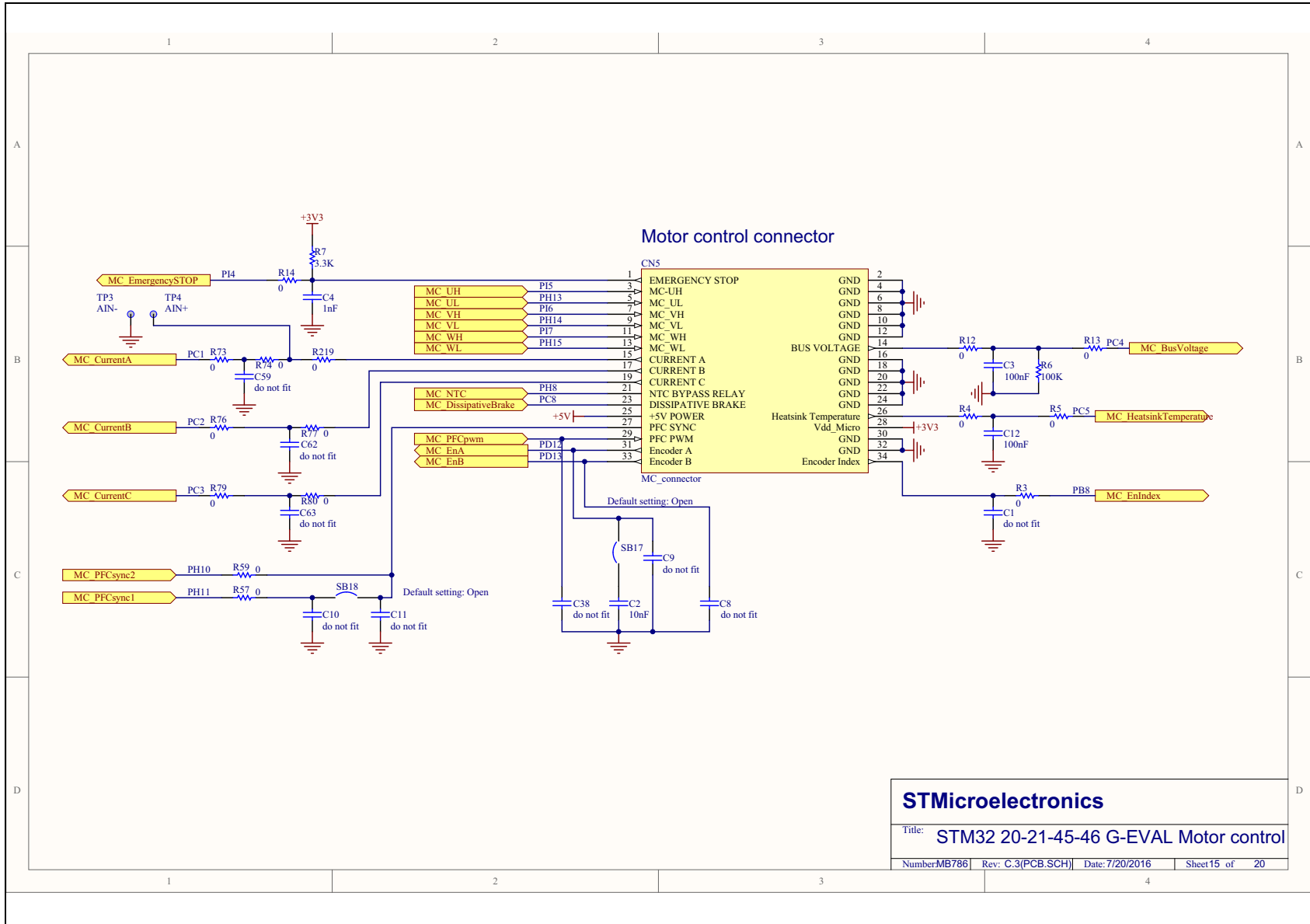


Figure 32. Smartcard

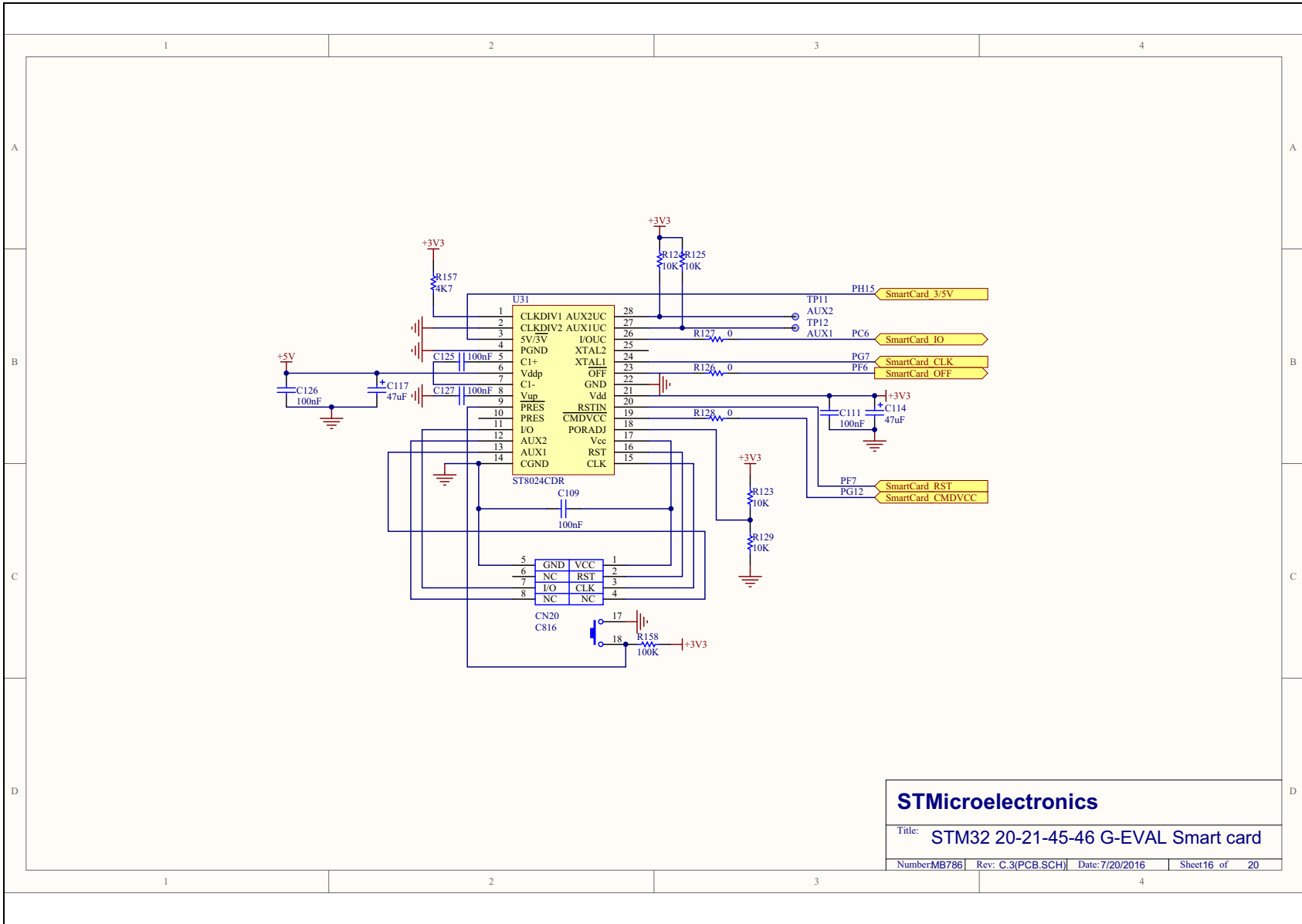


Figure 33. JTAG and trace

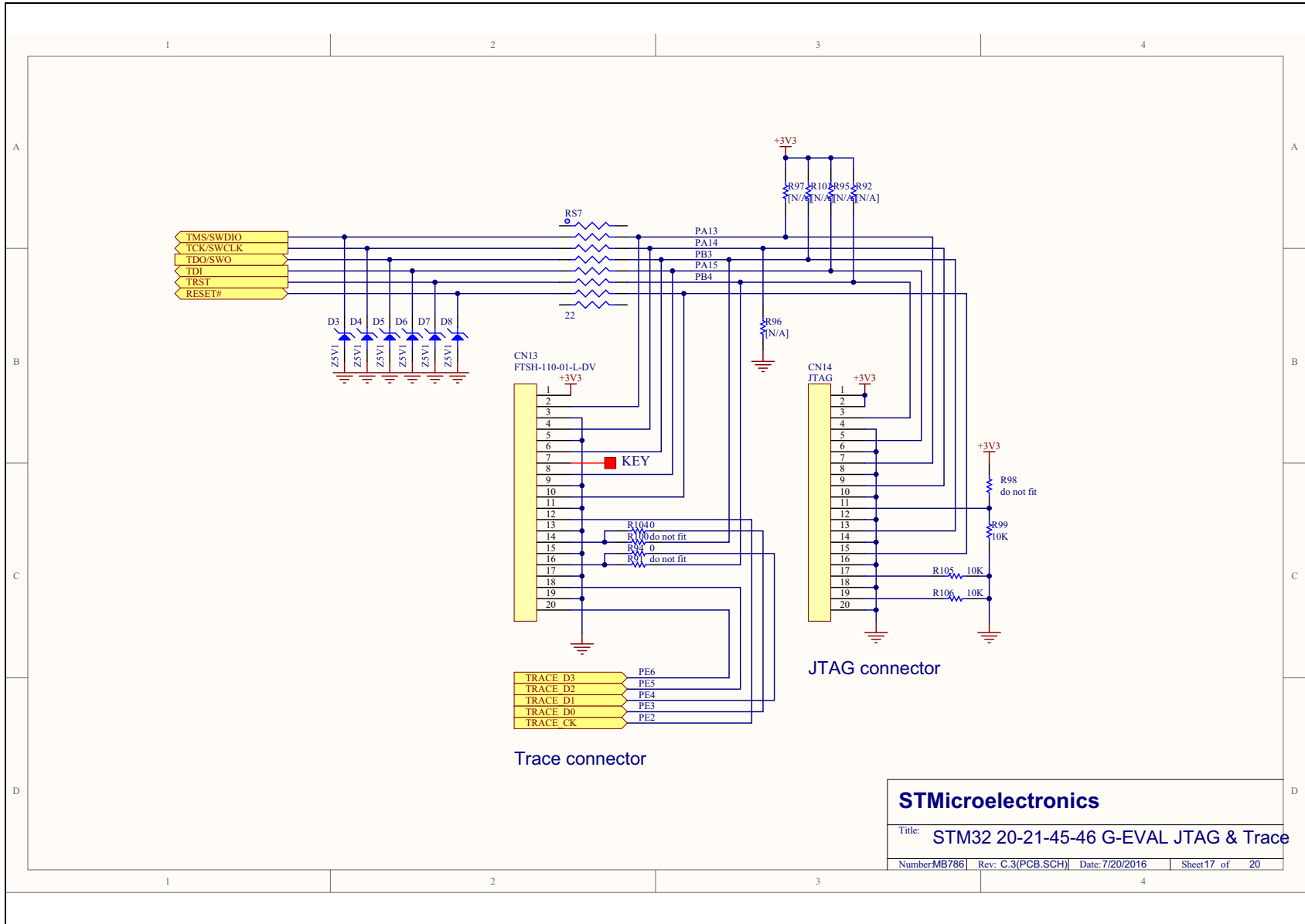
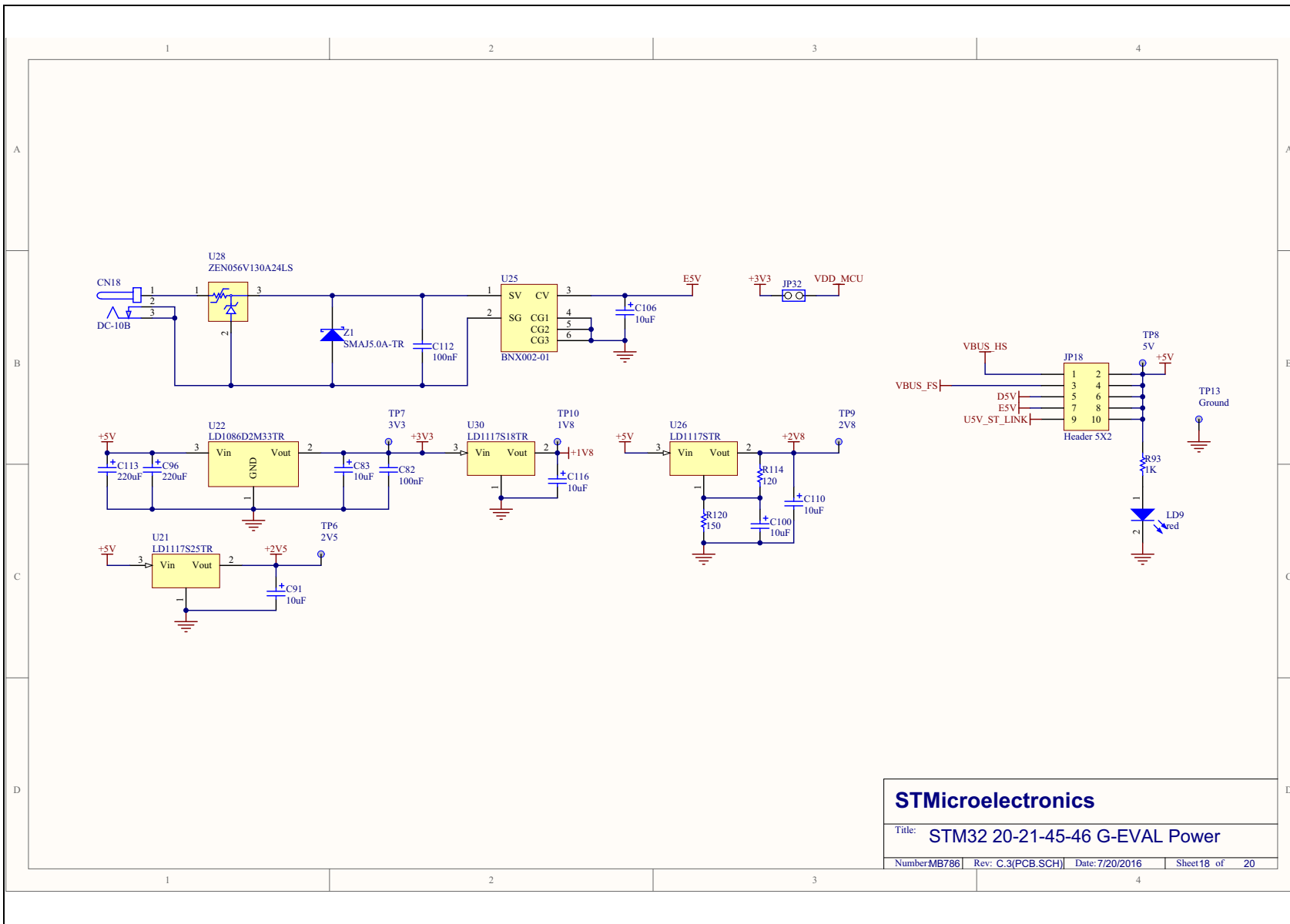


Figure 34. Power



STMicroelectronics

Title: **STM32 20-21-45-46 G-EVAL Power**

Number: MB786 | Rev: C.3(PCB_SCH) | Date: 7/20/2016 | Sheet 18 of 20



Figure 35. Extension connector

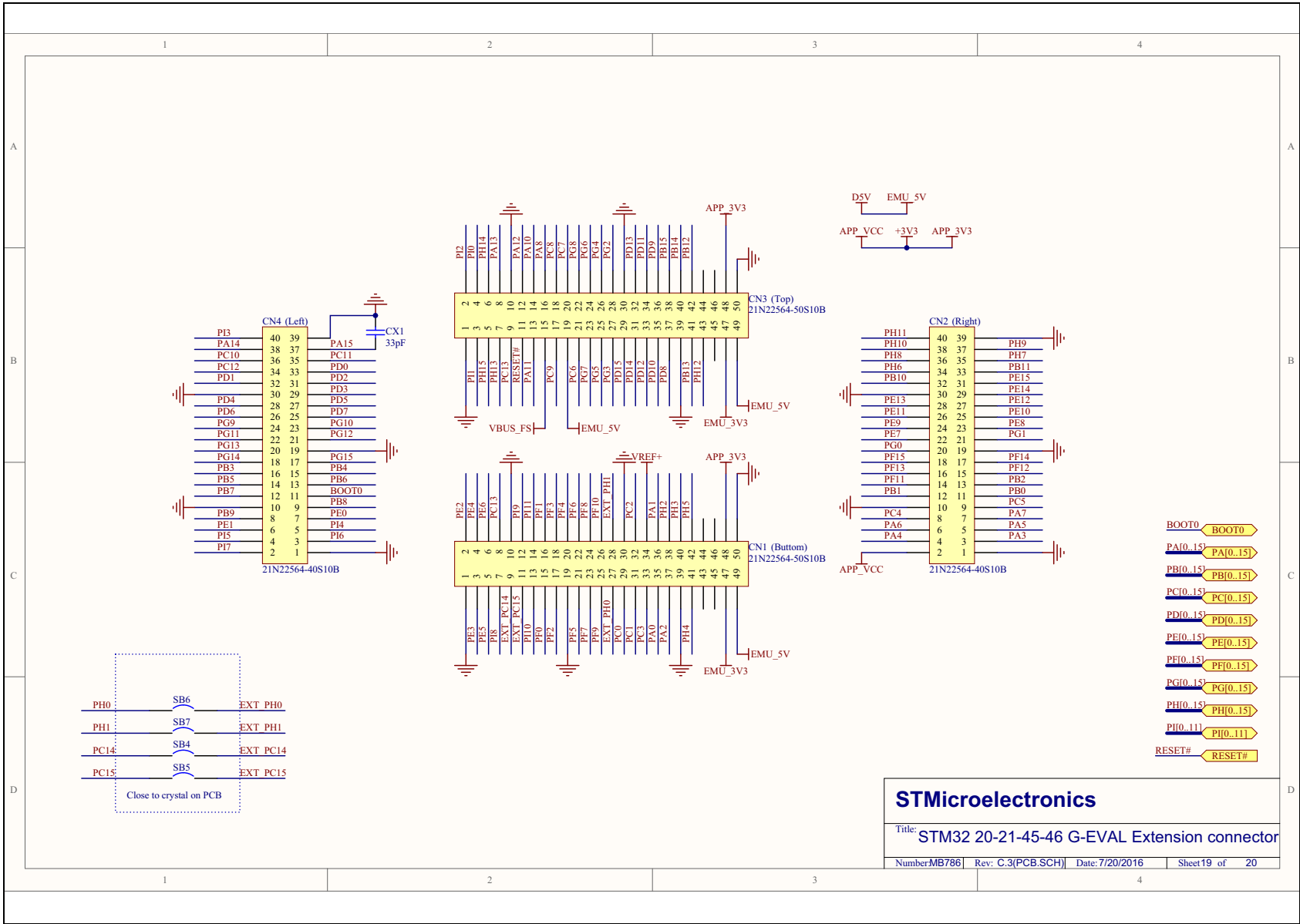
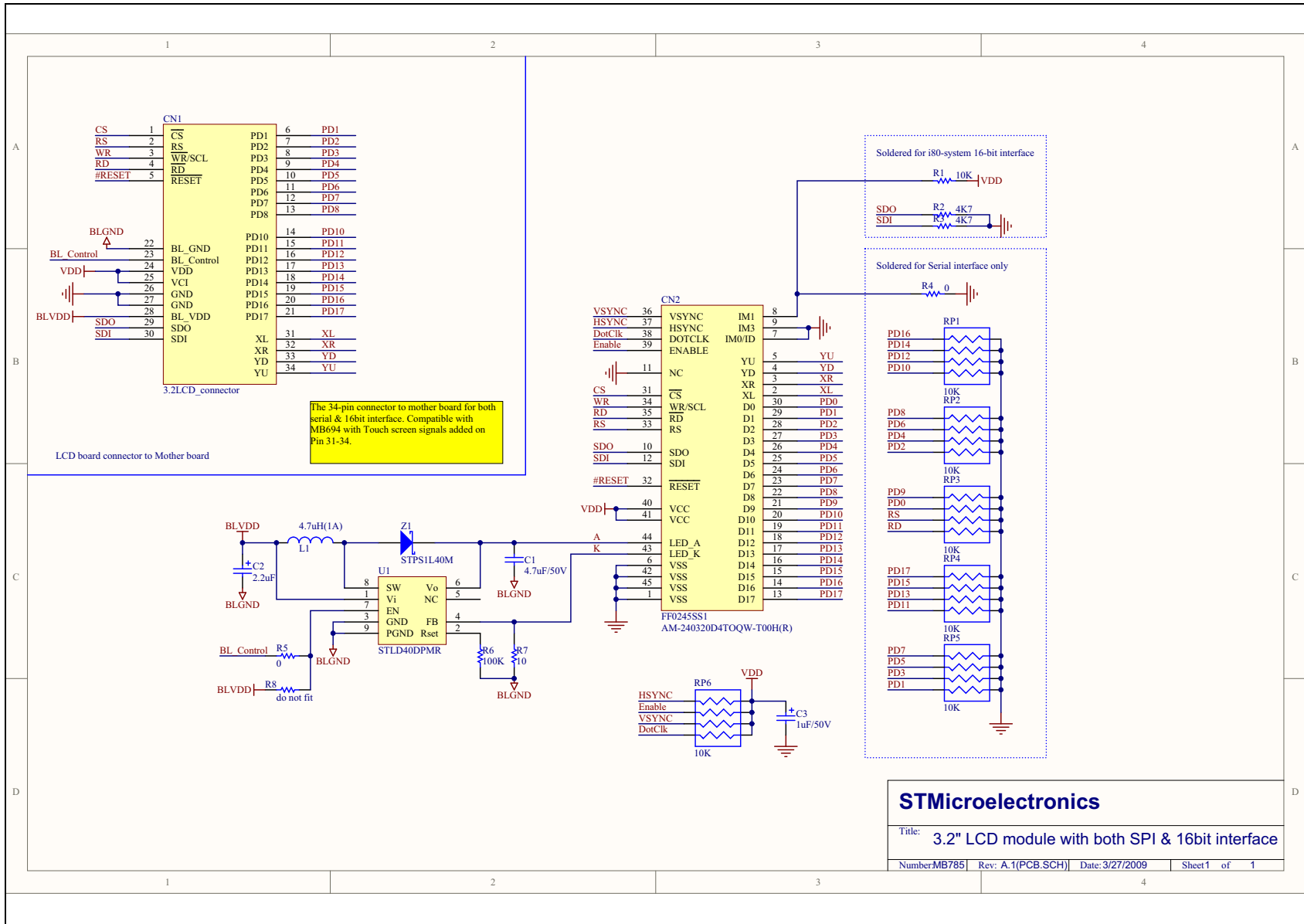




Figure 37. 3.2" LCD module with SPI and 16-bit interface



STMicroelectronics

Title: 3.2" LCD module with both SPI & 16bit interface

Number MB785 | Rev: A.1(PCB.SCH) | Date: 3/27/2009 | Sheet 1 of 1

Revision history

Table 35. Document revision history

Date	Revision	Changes
15-Apr-2011	1	Initial release.
23-May-2011	2	Updated preliminary watermarks.
26-July-2011	3	Added Section 1.4: Delivery recommendations . Updated Section 2.16: Ethernet , Section 2.17: USB OTG HS and Section Appendix A: Schematics .
07-Oct-2011	4	Updated Table 2 JP4 description, Table 5 JP24 description and Section Appendix A: Schematics . Added warning in Chapter 2.5 and note in Chapter 2.20 .
09-Jan-2012	5	Added note in Chapter 2.5 and updated Section Appendix A: Schematics .
02-Nov-2016	6	Added comment IrDA is only supported up to C07 version of the board. Figure 17 to Figure 37 updated.

IMPORTANT NOTICE – PLEASE READ CAREFULLY

STMicroelectronics NV and its subsidiaries ("ST") reserve the right to make changes, corrections, enhancements, modifications, and improvements to ST products and/or to this document at any time without notice. Purchasers should obtain the latest relevant information on ST products before placing orders. ST products are sold pursuant to ST's terms and conditions of sale in place at the time of order acknowledgement.

Purchasers are solely responsible for the choice, selection, and use of ST products and ST assumes no liability for application assistance or the design of Purchasers' products.

No license, express or implied, to any intellectual property right is granted by ST herein.

Resale of ST products with provisions different from the information set forth herein shall void any warranty granted by ST for such product.

ST and the ST logo are trademarks of ST. All other product or service names are the property of their respective owners.

Information in this document supersedes and replaces information previously supplied in any prior versions of this document.

© 2016 STMicroelectronics – All rights reserved