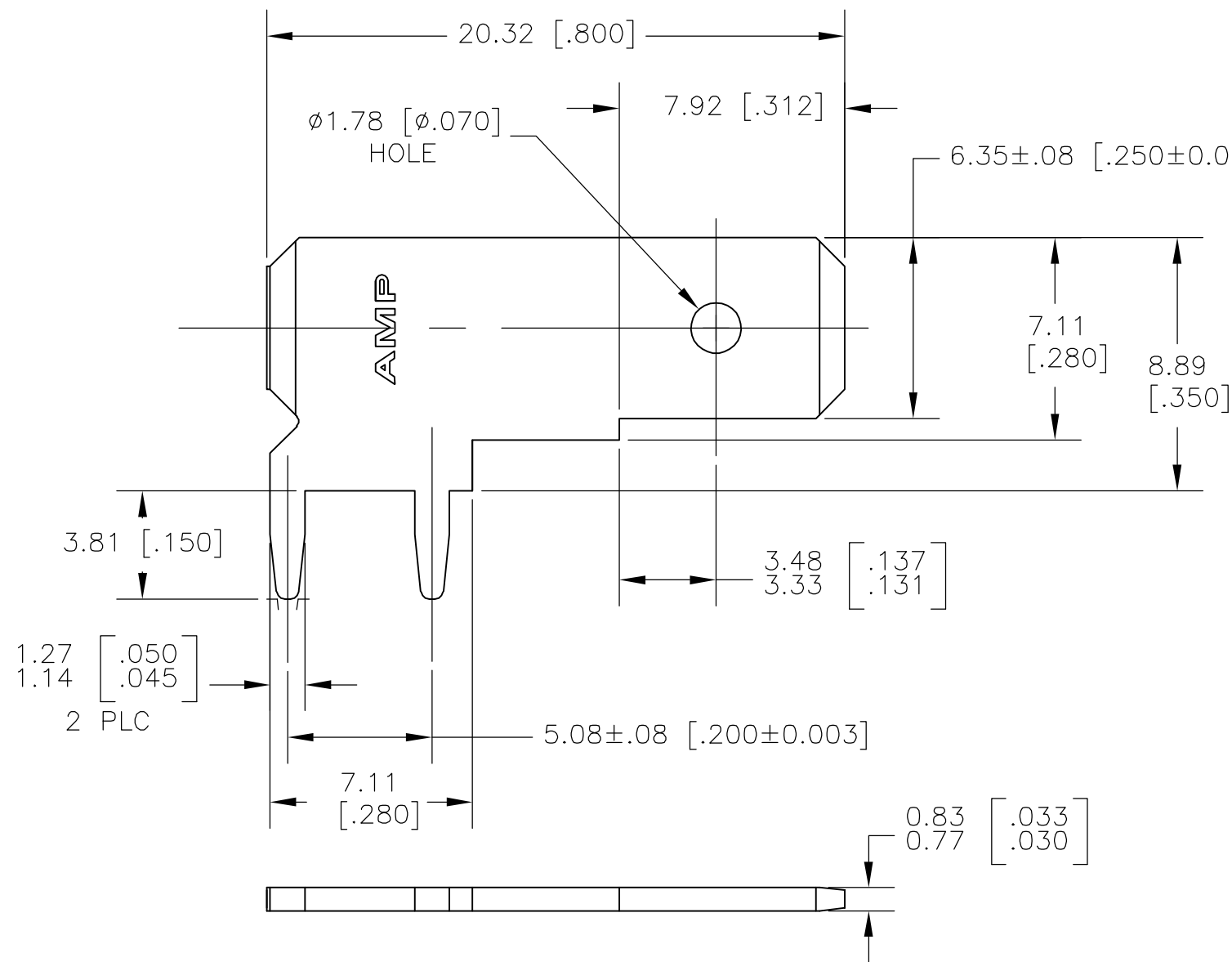
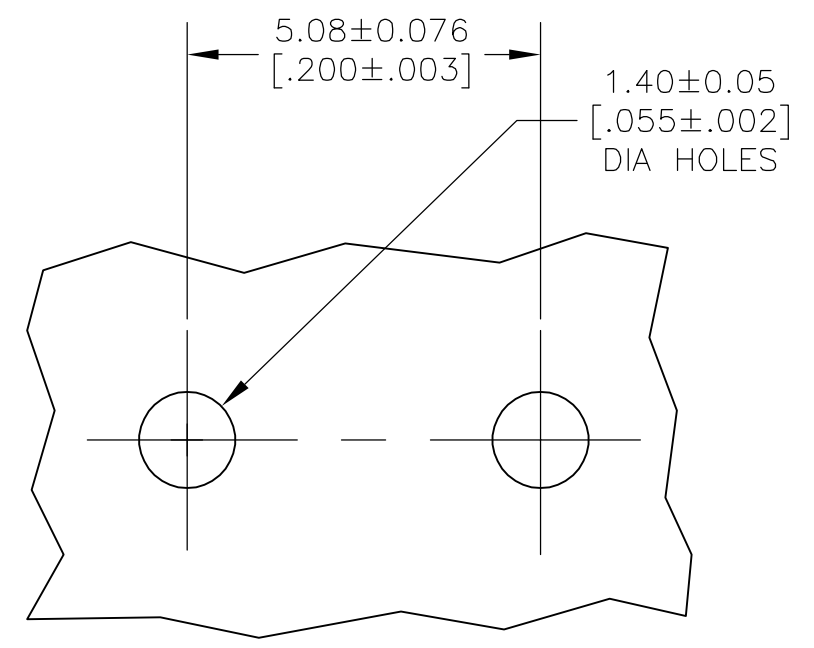


THIS DRAWING IS UNPUBLISHED. RELEASED FOR PUBLICATION
 © COPYRIGHT BY TYCO ELECTRONICS CORPORATION. ALL RIGHTS RESERVED.

LOC	DIST	REVISIONS					
AF	50	P	LTR	DESCRIPTION	DATE	DWN	APVD
		C		REV PER ECR-05-017407	12APR06	HMR	KR



1 SUPPLIED IN LOOSE PIECE
 2 0.00381 [.000150] MIN TIN OVER
 0.00127 [.000050] MIN NICKEL.



P.C. BOARD HOLES

1217754-1
 PART NO.

THIS DRAWING IS A CONTROLLED DOCUMENT.		DWN	JR RUTH	07NOV01	 Tyco Electronics Corporation Harrisburg, PA 17105-3608		
DIMENSIONS:		CHK	N DEIBERT	07NOV01			
mm [INCHES]		APVD	N DEIBERT	07NOV01			
		PRODUCT SPEC	-				
TOLERANCES UNLESS OTHERWISE SPECIFIED:		APPLICATION SPEC	114-2115		NAME	TAB, FASTON, 6.35 [.250] SERIES	
0 PLC	± -	WEIGHT	-		SIZE	A3	
1 PLC	± -	FINISH	2		CAGE CODE	00779	
2 PLC	± 0.25 [.010]				DRAWING NO	C-1217754	
3 PLC	± -	MATERIAL	082 BRASS		RESTRICTED TO	-	
4 PLC	± -					SCALE	5:1
ANGLES	± -	CUSTOMER DRAWING				SHEET	1 OF 1
						REV	C