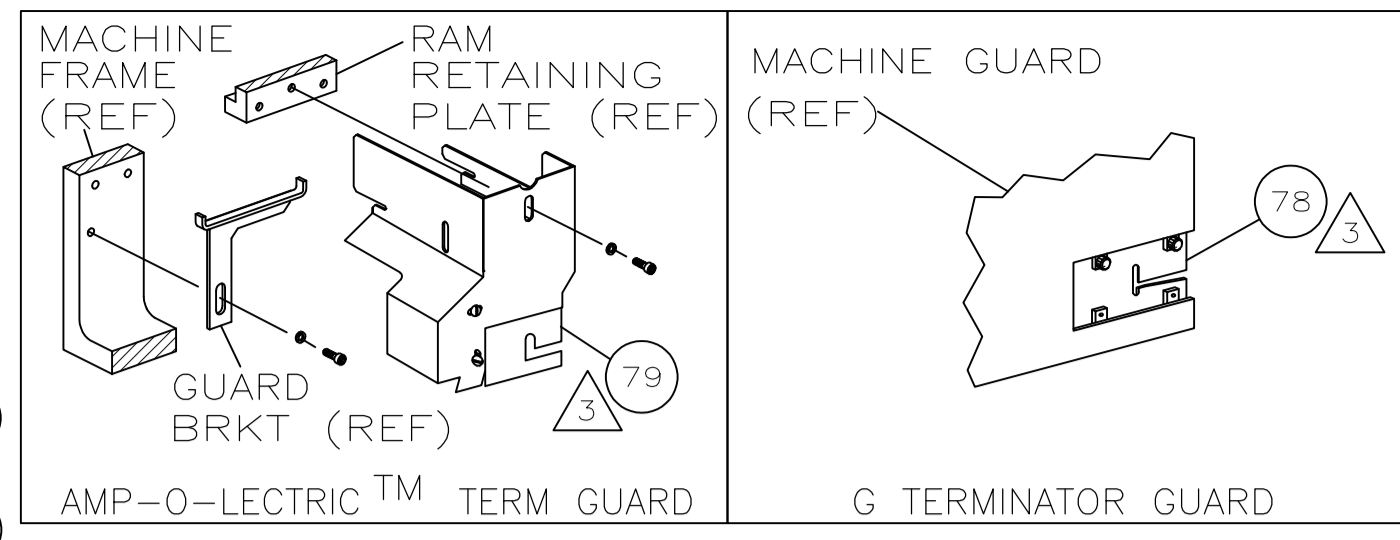


THIS DRAWING IS UNPUBLISHED. RELEASED FOR PUBLICATION. ALL RIGHTS RESERVED.

PART NUMBER	REV	FIRST USED
466571-1	U	854400-1
466571-2	U	565435-5
466571-3		DUAL HDM
466571-4	U	354500-1
7-466571-7	T	

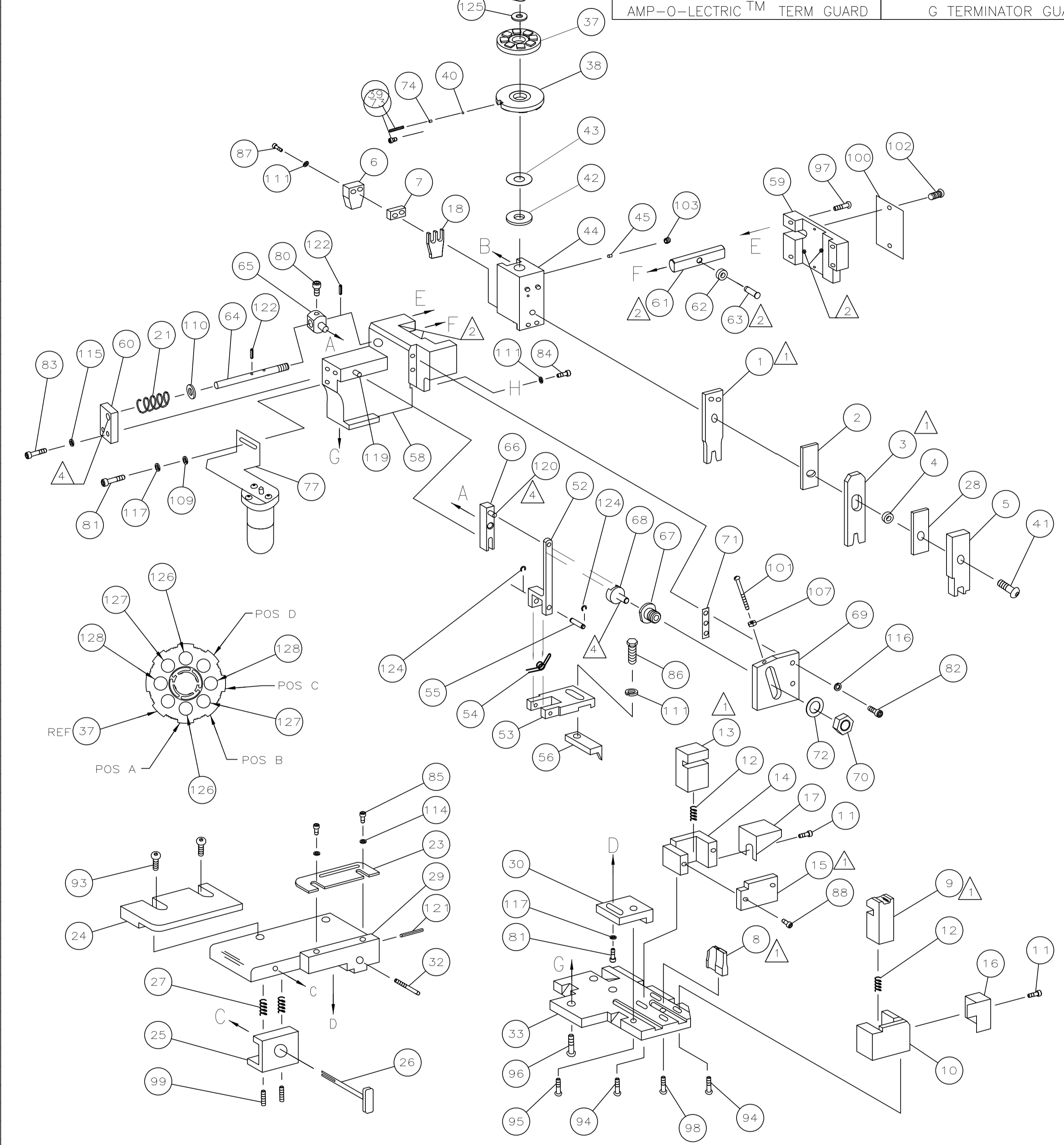
SEE DRAWING 466571-3



TERMINAL NAME:		CRIMPING DATA			
MOD IV FEMALE CONTACT		PAD LTR	CRIMP HEIGHT	WIRE SIZE	
	87666	A	.036 ±.002	22	
	87756	B	.032 ±.002	24	
	87809	C	.030 ±.002	26	
	102548	D	NOT	USED	
	103171				
		CRIMP	SIZE	TYPE	RANGE
		WIRE	.042	F	26-22
		FEED	.062	0	.061 MAX
		APPL INST	408-8040	SET UP GAGE	LAYOUT
		.300		458637-1	893
TERM APPL SPEC 114-25003		WIRE STRIP LENGTH .109-.172			

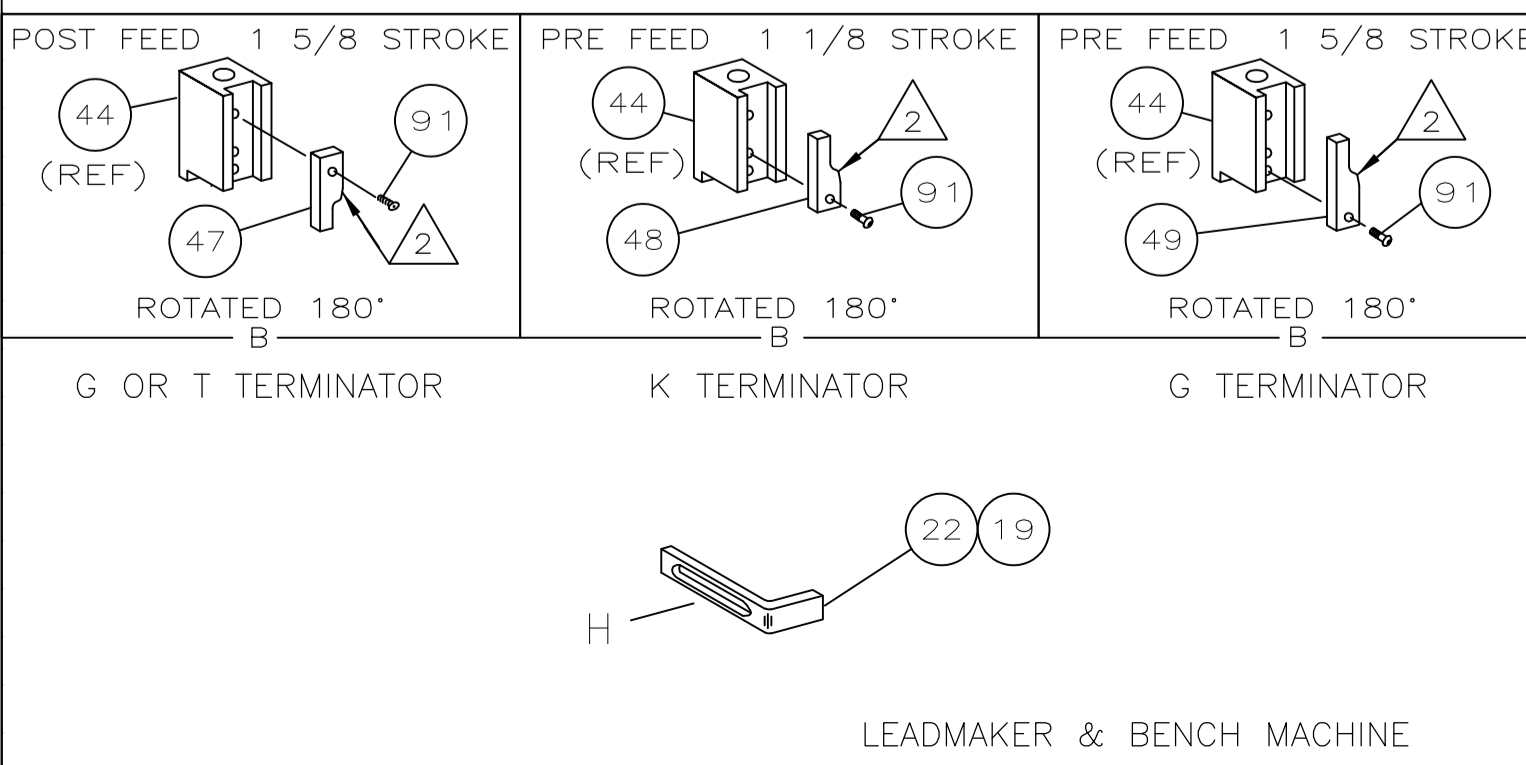
LOC	DIST	REVISIONS			
A	66	F LTR	DESCRIPTION	DATE	BY
		U1	ECR-07-029569	12-2007	MY

-1	LEADMAKER	MECH POST FEED	-77	SPARE TOOLING KIT
-2	BENCH MODEL K	MECH PRE FEED		
-4	BENCH MODEL G	MECH PRE FEED		



-	2	2	2	-	6-354779-2	PIN, WIRE DISC (.3300)C	129		
-	2	2	2	-	6-354779-0	PIN, WIRE DISC (.3290)B	127		
-	2	2	2	-	5-354779-0	PIN, WIRE DISC (.3240)A	126		
-	1	1	1	-	986950-1	WASHER, FLAT PRECISION	125		
-	REF	REF	REF	-	21045-3	RING, RET "C" (Ø.187)FD FING PIN	124		
-							123		
-	REF	REF	REF	-	5-21028-1	PIN, SLT SPR (Ø.125x.50)ADJ ROD	122		
-	1	1	1	-	4-21028-0	PIN, SLT SPR (Ø.093x.75)ST GDE PL	121		
-	REF	REF	REF	-	1-21030-1	PIN, DOWEL (Ø.187x.50)LEVER	120		
-	REF	REF	REF	-	1-21030-6	PIN, DOWEL (Ø.187x1.25)HOUSING	119		
-							118		
-	1	2	1	-	21024-5	WASHER, LOCK (#10)ADJ BLOCK	117		
-	REF	REF	REF	-	21024-5	WASHER, LOCK (#10)ADJ PLATE	116		
-	REF	REF	REF	-	21024-5	WASHER, LOCK (#10)FEED GDE ROD	115		
-	2	2	2	-	21024-2	WASHER, LOCK (#4)FRONT STP GUIDE	114		
-							113		
-	4	4	4	-	21024-4	WASHER, LOCK (#8)STRIPPER	112		
-	REF	REF	REF	-	21899-4	WASHER, FLAT (Ø5/16)SCREW ADJ	110		
-					21899-2	WASHER, FLAT (NO.10)LUB ASSY	109		
-							108		
-	REF	REF	REF	-	21018-5	NUT, HEX (6-32)FEED ADJ	107		
-							106		
-							105		
-							104		
-	1	1	1	-	21009-2	SCR, SKT SET (1/4-20x.25 LW)RAM	103		
-	2	2	2	-	21017-2	SCR, DRIVE (#2x.19)ID PLATE	102		
-	REF	REF	REF	-	6-23715-5	SCR, PAN HD (6-32x1.50)FEED ADJ	101		
-	1	1	1	-	461264-1	PLATE, IDENTIFICATION	100		
-	2	2	2	-	5-21006-6	SCR, SET (10-32x.75)DRAG	99		
-	1	1	1	-	22733-8	SCR, BHC (8-32x.38 LW)ANVIL	98		
-	REF	REF	REF	-	2-21002-9	SCR, BHC (10-32x.75)CAP	97		
-	REF	REF	REF	-	2-22733-8	SCR, BHC (1/4-20x.62)HOUSING	96		
-	REF	REF	REF	-	2-21002-7	SCR, BHC (10-32x.50)SG ADJ BLOCK	95		
-	4	4	4	-	2-21002-2	SCR, BHC (8-32x.50)SHEAR	94		
-	2	2	2	-	2-21002-1	SCR, BHC (8-32x.38)R STRIP GUIDE	93		
-							92		
-	1	1	1	-	1-21002-7	SCR, BHC (6-32x.38)CAM	91		
-							90		
-							89		
-	2	2	2	-	1-21000-8	SCR, SHC (6-32x.25)R SHEAR PLATE	88		
-	2	2	2	-	2-21000-8	SCR, SHC (8-32x.62)DEP-HOLD	87		
-	1	1	1	-	2-22603-0	SCR, HEX HD (8-32x.31)FEED FINGER	86		
-	2	2	2	-	1-21000-3	SCR, SHC (4-40x.25)F ST GUIDE	85		
-	1	1	1	-	2-21000-7	SCR, SHC (8-32x.50)STRIPPER	84		
-	REF	REF	REF	-	3-21000-7	SCR, SHC (10-32x.75)FEED ROD GD	83		
-	REF	REF	REF	-	3-21000-6	SCR, SHC (10-32x.62)FD ADJ BLK	82		
-	1	2	1	-	3-21000-4	SCR, SHC (10-32x.38)SG ADJ BL	81		
-	REF	REF	REF	-	3-21000-4	SCR, SHC (10-32x.38)PIVOT BLK	80		
-	REF	REF	REF	-	455749-1	GUARD, WINDOW	79		
-	REF	REF	REF	-	679532-1	INSERT, GUARD	78		
-					1-465184-0	LUBRICATOR ASSY	77		
-							76		
-							75		
-	1	1	1	-	690603-1	SPRING, ASSIST	74		
-	1	1	1	-	23030-1	SCR, SHC (6-32x.25 SL)INS DISC	73		
-	REF	REF	REF	-	458109-1	WASHER, SPECIAL	72		
-	REF	REF	REF	-	690517-1	SPACER	71		
-	-77	-4	-2	-1	U/M	PART NO	ITEM NO		
QTY REQD PER ASSY		PARTS LIST				QTY REQD PER ASSY		PARTS LIST	

-	REF	REF	REF	-	22594-8	NUT, HEX (1/2-20)	70		
-	REF	REF	REF	-	240628-1	PLATE, ADJUSTMENT	69		
-	REF	REF	REF	-	240626-1	SHAFT, PIVOT	68		
-	REF	REF	REF	-	240633-1	BUSHING	67		
-	REF	REF	REF	-	455680-1	LEVER, INTERMEDIATE	66		
-	REF	REF	REF	-	240629-1	BLOCK, PIVOT	65		
-	REF	REF	REF	-	240632-2	SCREW, ADJ FEED ROD	64		
-	REF	REF	REF	-	240659-3	PIN, CAM ROLLER	63		
-	REF	REF	REF	-	240658-1	ROLLER, CAM	62		
-	REF	REF	REF	-	454398-2	ROD, FEED	61		
-	REF	REF	REF	-	454178-1	GUIDE, FEED ROD	60		
-	REF	REF	REF	-	454220-1	CAP, RAM	59		
-	REF	REF	REF	-	454485-1	HOUSING	58		
-							57		
-	1	1	1	-	458537-1	PAWL, FEED	56		
-	REF	REF	REF	-	240624-1	PIN, FEED FINGER	55		
-	REF	REF	REF	-	691499-1	SPRING, FEED FINGER	54		
-	REF	REF	REF	-	690541-1	HOLDER, FEED FINGER	53		
-	REF	REF	REF	-	455679-1	LEVER, TERMINAL FEED ARM	52		
-							51		
-							50		
-	1	-	-	-	690602-6	CAM, PRE-FEED 1 5/8 ST	49		
-	-	1	-	-	690602-5	CAM, PRE-FEED 1 1/8 ST	48		
-	-	-	1	-	690501-4	CAM, POST-FEED 1 5/8 ST	47		
-	1	1	1	-	459456-1	APPLICATOR, BASIC (SUBASSY)	46		
-	1	1	1	-	690191-1	PLUG, NYLON	45		
-	1	1	1	-	455673-1	RAM	44		
-	1	1	1	-	690125-1	WASHER, LAMINATED	43		
-	1	1	1	-	690124-1	WASHER, RAM	42		
-	1	1	1	-	7-21002-9	BOLT, CRIMPER (5/16x1.00)	41		
-	1	1	1	-	23241-6	BALL, STEEL	40		
-	1	1	1	-	690170-1	SPRING, COMPRESSION	39		
-	1	1	1	-	690142-3	DISC, INSULATION	38		
-	1	1	1	-	354777-1	WIRE DISC, PLASTIC	37		
-	1	1	1	-	22480-5	WASHER, SPRING	36		
-	1	1	1	-	690212-1	POST, RAM	35		
-							34		
-	REF	REF	REF	-	455675-1	PLATE, BASE	33		
-	1	1	1	-	690432-3	SCREW, ADJUSTMENT	32		
-							31		
-	REF	REF	REF	-	455689-1	BLOCK, STRIP GUIDE ADJ	30		
-	1	1	1	-	455671-5	PLATE, STRIP GUIDE	29		
-	1	1	1	-	1-455888-2	SPACER, FRONT SHEAR DEP	28		
-	2	2	2	-	1-22284-0	SPRING, DRAG	27		
-	1	1	1	-	690546-1	LEVER, DRAG RELEASE	26		
-	1	1	1	-	240792-1	DRAG, TERMINAL	25		
-	1	1	1	-	6-690504-4	GUIDE, STRIP (REAR)	24		
-	1	1	1	-	690438-1	GUIDE, STRIP (FRONT)	23		
-	-	-	1	-	690472-2	STRIPPER	22		
-	REF	REF	REF	-	4-22284-9	SPRING, FEED RETURN	21		
-							20		
-	1	1	-	-	691353-1	STRIPPER	19		
-	1	1	1	-	690518-2	HOLDER, TERMINAL	18		
-	1	1	1	-	691668-1	GUARD, CHIP (REAR)	17		
-	1	1	1	-	691667-1	GUARD, CHIP (FRONT)	16		
-	1	1	1	-	1-690691-1	PLATE, SHEAR (REAR)	15		
-	1	1	1	-	690462-1	HOLDER, SHEAR (REAR)	14		
-	1	1	1	-	690463-1	SHEAR, FLOAT (REAR)	13		
-	2	2	2	-	3-22280-3	SPRING, SHEAR	12		
-	2	2	2	-	690461-1	STOP, SHEAR	11		
-	1	1	1	-	690459-1	HOLDER, SHEAR (FRONT)	10		
-	1	1	1	-	462006-1	SHEAR, FLOAT (FRONT)	9		
1	1	1	1	-	4-690512-9	ANVIL	8		
-	1	1	1	-	240641-5	SPACER, DEPRESSOR (REAR)	7		
-	1	1	1	-	690468-1	DEPRESSOR, SHEAR (REAR)	6		
-	1	1	1	-	2-455889-0	DEPRESSOR, SHEAR (FRONT)	5		
-	1	1	1	-	238011-7	SPACER, BLOCK CRIMPER	4		
1	1	1	1	-	8-456135-3	CRIMPER, INSULATION	3		
-	1	1	1	-	455888-4	SPACER, CRIMPER	2		
1	1	1	1	-	217885-6	CRIMPER, WIRE	1		
-77	-4	-2	-1	U/M	PART NO	DESCRIPTION	ITEM NO		
QTY REQD PER ASSY		PARTS LIST				QTY REQD PER ASSY		PARTS LIST	



- 1 RECOMMENDED SPARE PARTS.
- 2 GREASE LIGHTLY.
- 3 GUARD MUST BE IN PLACE WHEN OPERATING APPLICATOR IN A BENCH MACHINE.
- 4 LUBRICATE DAILY USING NO. 20 MACHINE OIL.
- 5. ITEMS WITH QTY OF REF SPECIFIED (EXCEPT ITEMS 78 AND 79) ARE USED ON ITEM 46.

DIMENSIONS:		TOLERANCES UNLESS OTHERWISE SPECIFIED:		APPROVALS:		CUSTOMER DRAWING	
INCHES		0 PLC	± .005	DATE	8/11/94	SCALE	1 of 1
		1 PLC	± .002	BY	D. SALTZER	SHEET	1
		2 PLC	± .001	CHK	C. FERISMAN	REV	U1
		3 PLC	± .0005	APPR	J. BEDDICK		
		4 PLC	± .0002	NAME	Tyco Electronics Corporation		
		ANGLES	± .0001		Harrisburg, PA 17105-3608		
MATERIAL	FINISH	WEIGHT		SIZE	A1	DRAWING NO	00779
				PRODUCT SPEC		DRAWING NO	466571
				APPLICATION SPEC		SCALE	
				RESTRICTED TO			