

## FPC-600 and PD-600 CONVERSION KIT INSTALLATION INSTRUCTIONS

© Panduit Corp. 2007

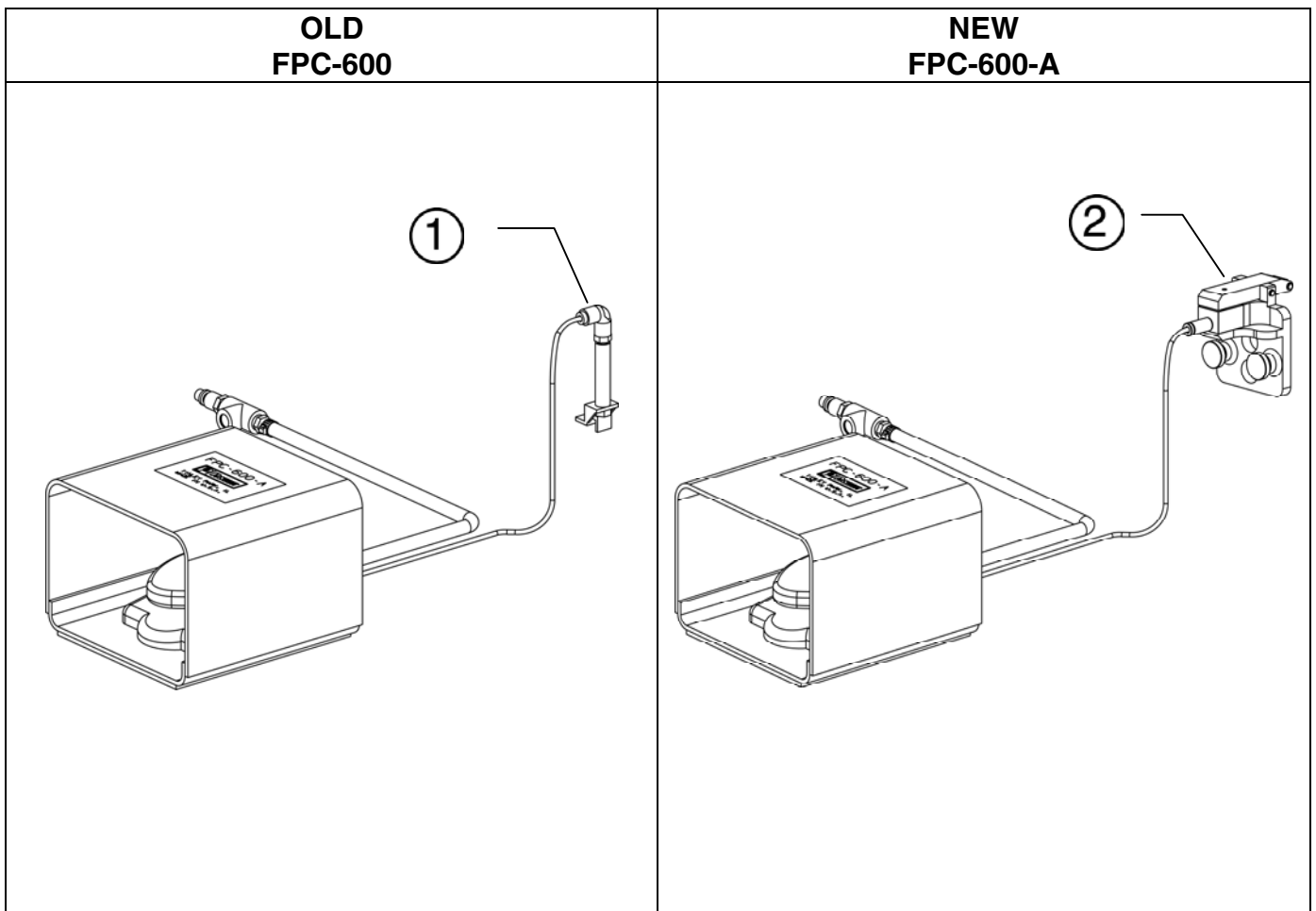
Converts the FPC-600 (Foot Petal Control) and PD-600 (Positioning Device) for use with the CT-600-A.

### Kit Contents:

- Actuator (TP25343C01)
- Tool Clamps (1 pair) (TP25345C01)
- 10mm Hex wrench (CA20674A01)

### FPC-600

1. Disconnect the 3mm air line connected to the Foot Petal Actuating Cylinder (1).
2. Push the 3 mm air line into the air fitting on the Actuator (2).



Website: [www.panduit.com](http://www.panduit.com)  
E-mail: [cs@panduit.com](mailto:cs@panduit.com)

Technical Support:  
888-506-5400, ext. 3255  
Fax: (630) 759-7532

**PD-600**

1. Loosen the two M12 x 80 mm HSHC screws (3) to remove CT-600.
2. Remove the two M12 x 80 mm HSHC screws (3). Retain for latter use.
3. Discard the 2 tool clamps (4).
4. Install new 65 mm (2.6 in) ID pipe clamps (5) and CT-600-A with M12 x 80 mm HSHC screws (3) removed earlier.
5. Position CT-600-A at preferred position and tighten screws.

