

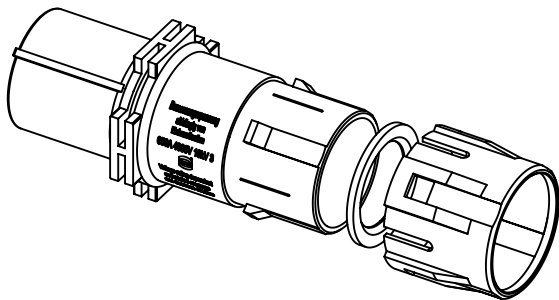
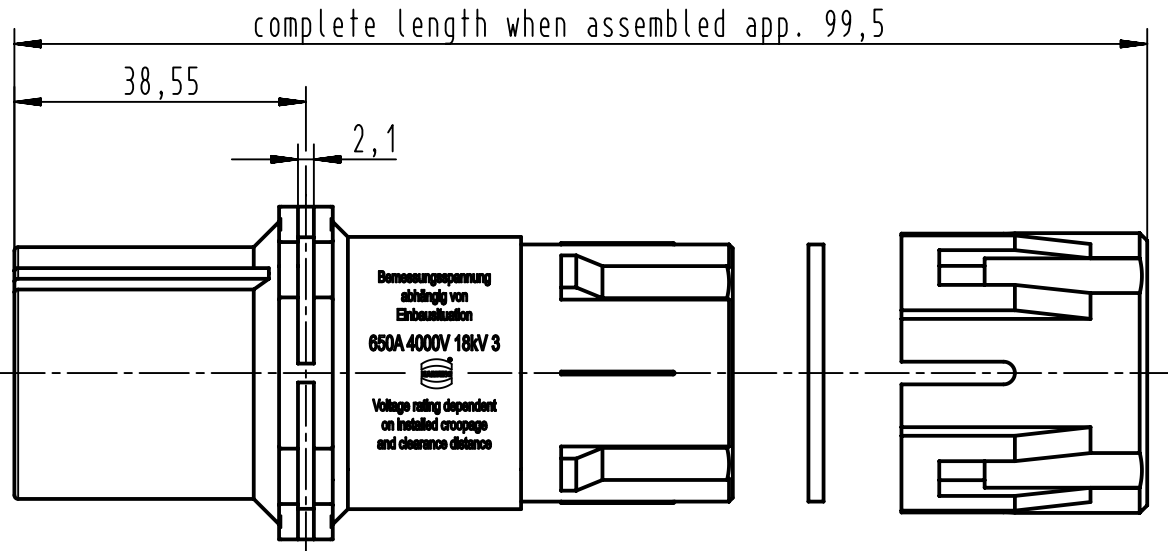
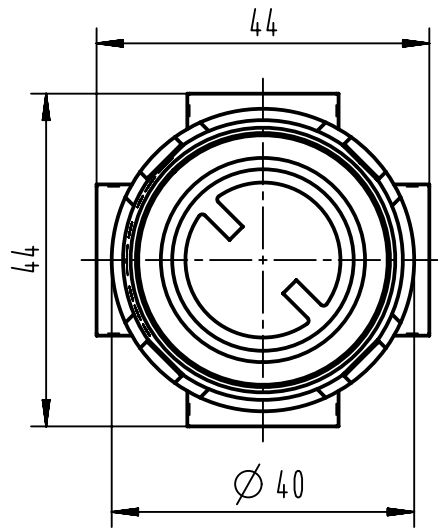
1                      2                      3                      4                      5                      6


A

B

C

D



|   |  |   |                   |                       |                          |                 |                                       |
|---|--|---|-------------------|-----------------------|--------------------------|-----------------|---------------------------------------|
|  | All rights reserved<br>Department EL PD - DE | All Dimensions in mm<br>Original Size DIN A4        |                   |                       | Scale 1:1                | Free size tol.  | Ref.                                  |
|   |  | HARTING Electric GmbH & Co. KG<br>D-32339 Espelkamp | Created by GRUBES | Inspected by BEISCHER | Standardisation SCHMIDTM | Date 2012-11-16 | State Final Release                   |
| Title Han 1HC-F-TC650   |  |   |                   |                       |                          |                 | Doc-Key / ECM-Nr. 100172498/UGD/004/C |
| Type TB   |  |   |                   |                       | Number 09 11 001 3111    |                 | Rev. C                                |
|   |  |   |                   |                       |                          |                 | Page 1/1                              |