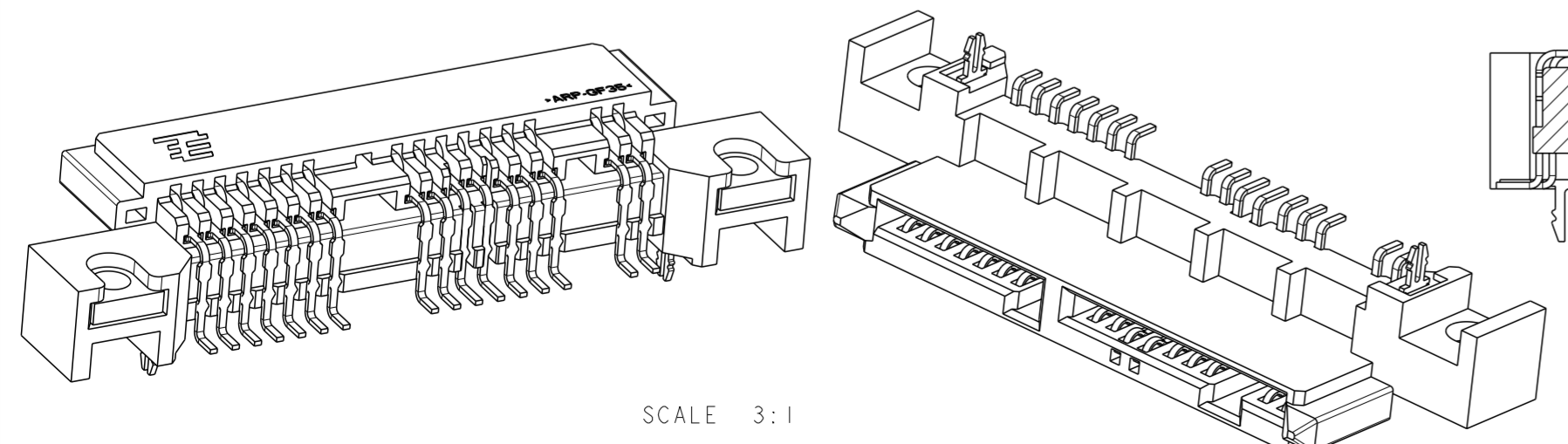
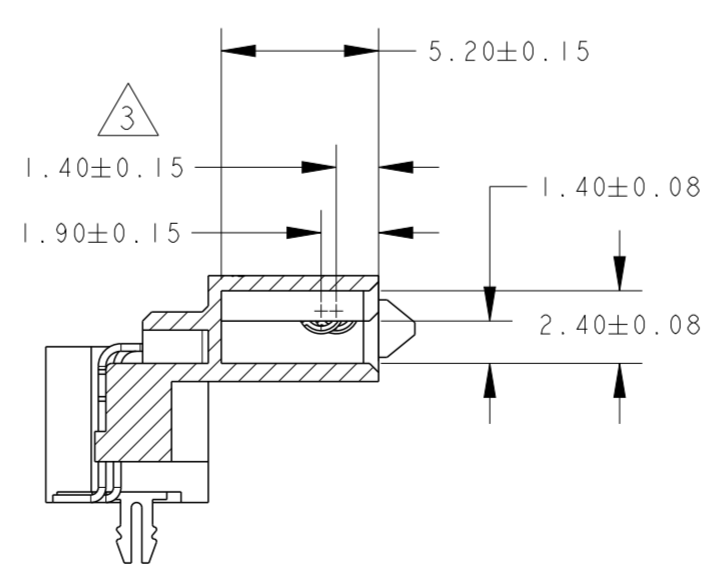
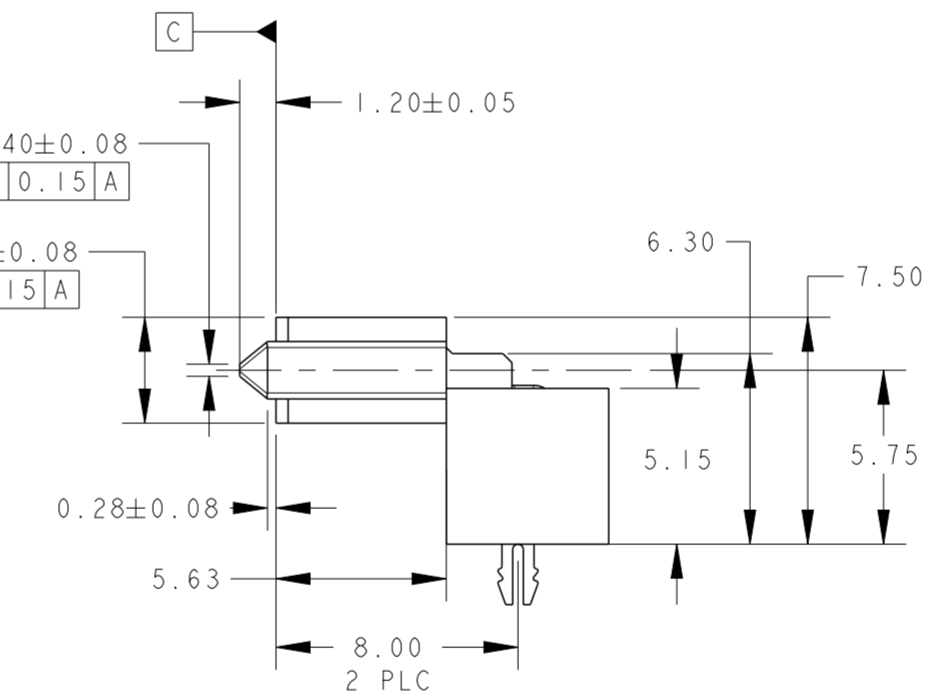
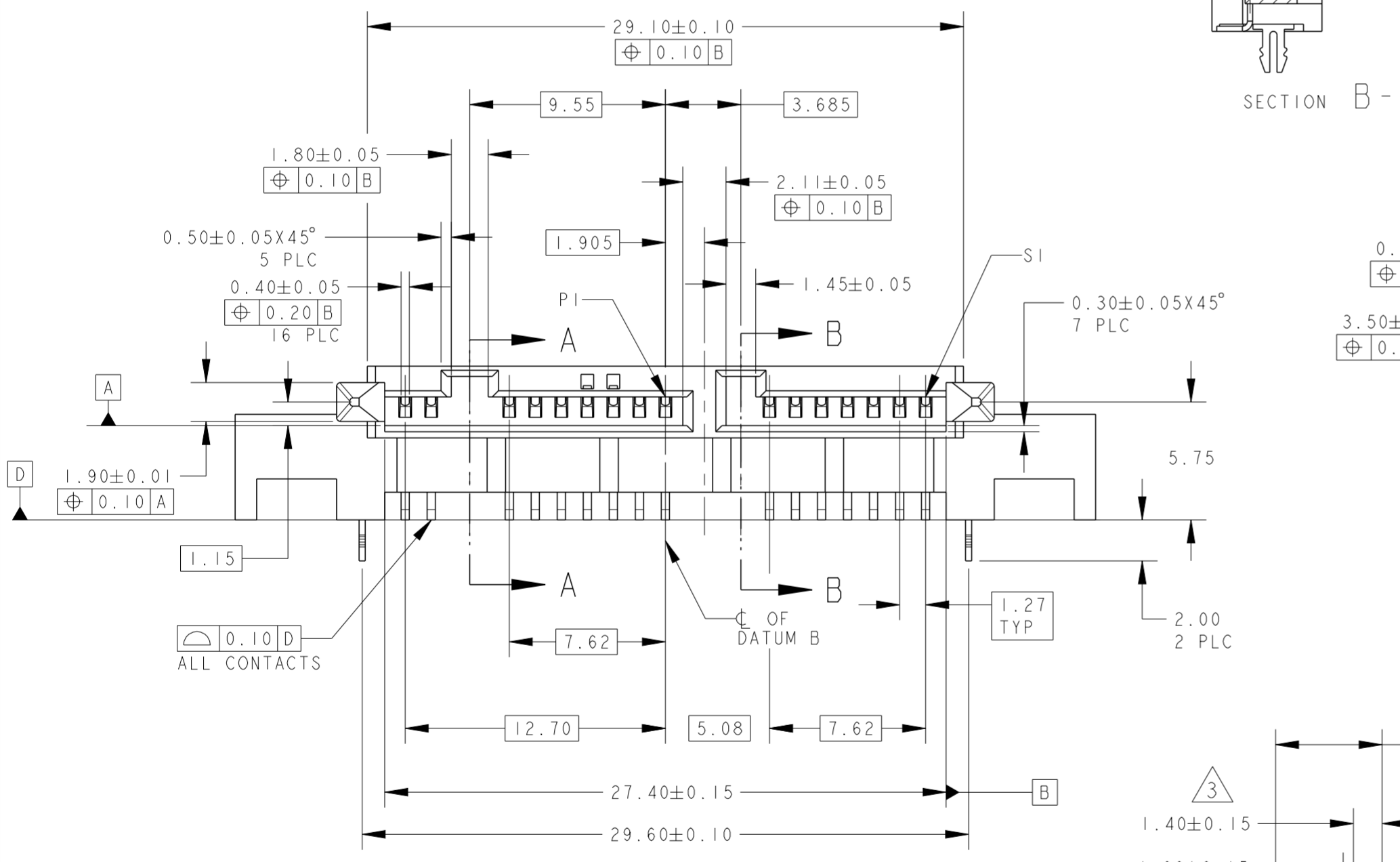
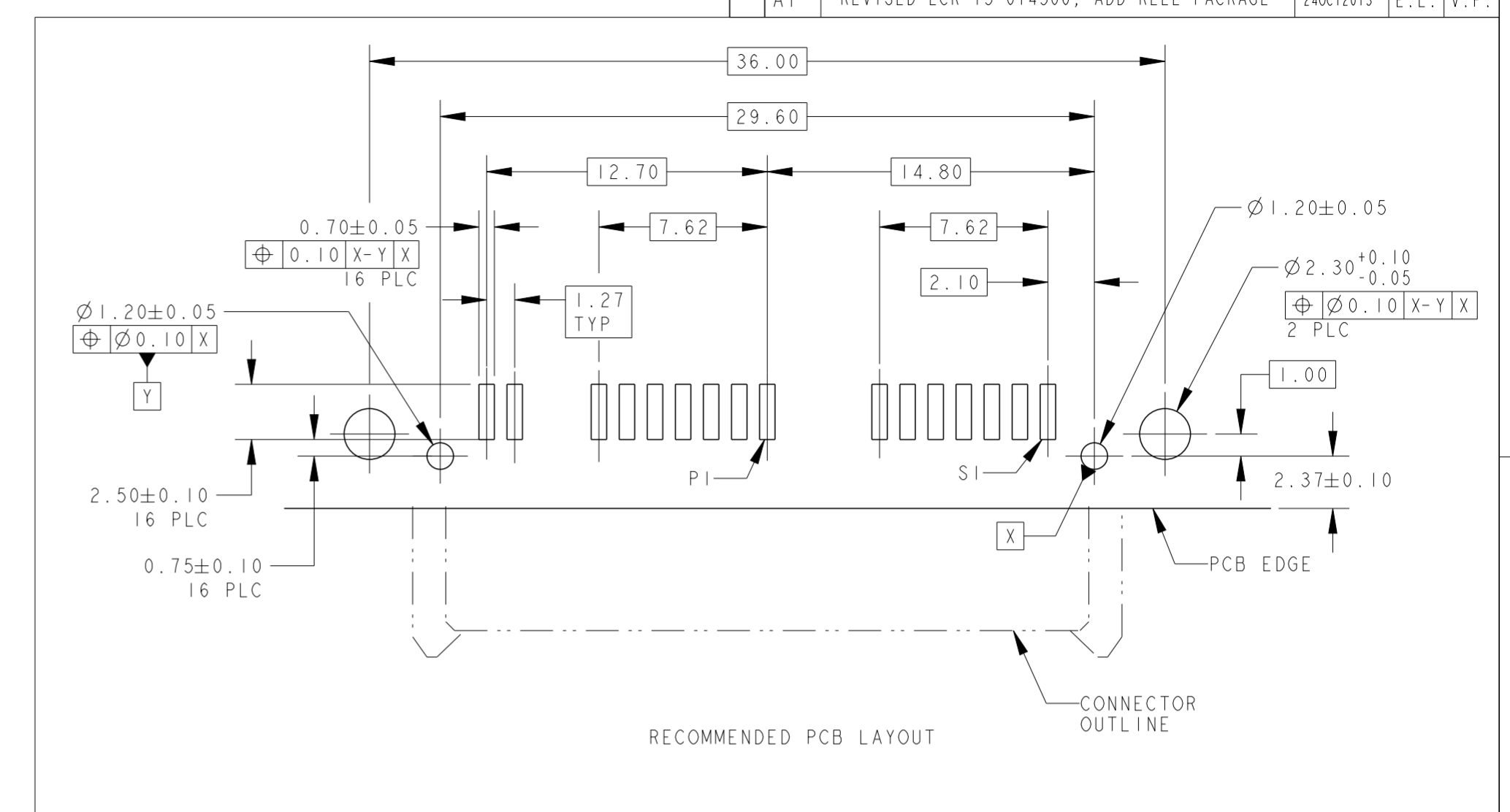
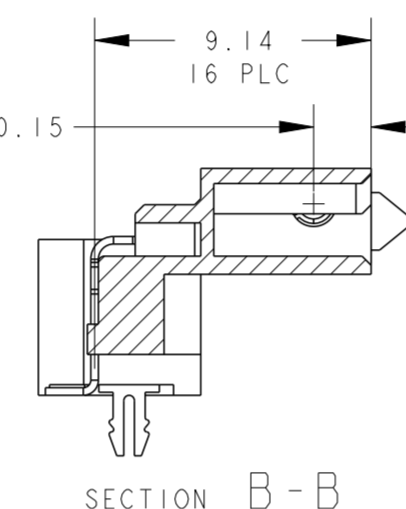
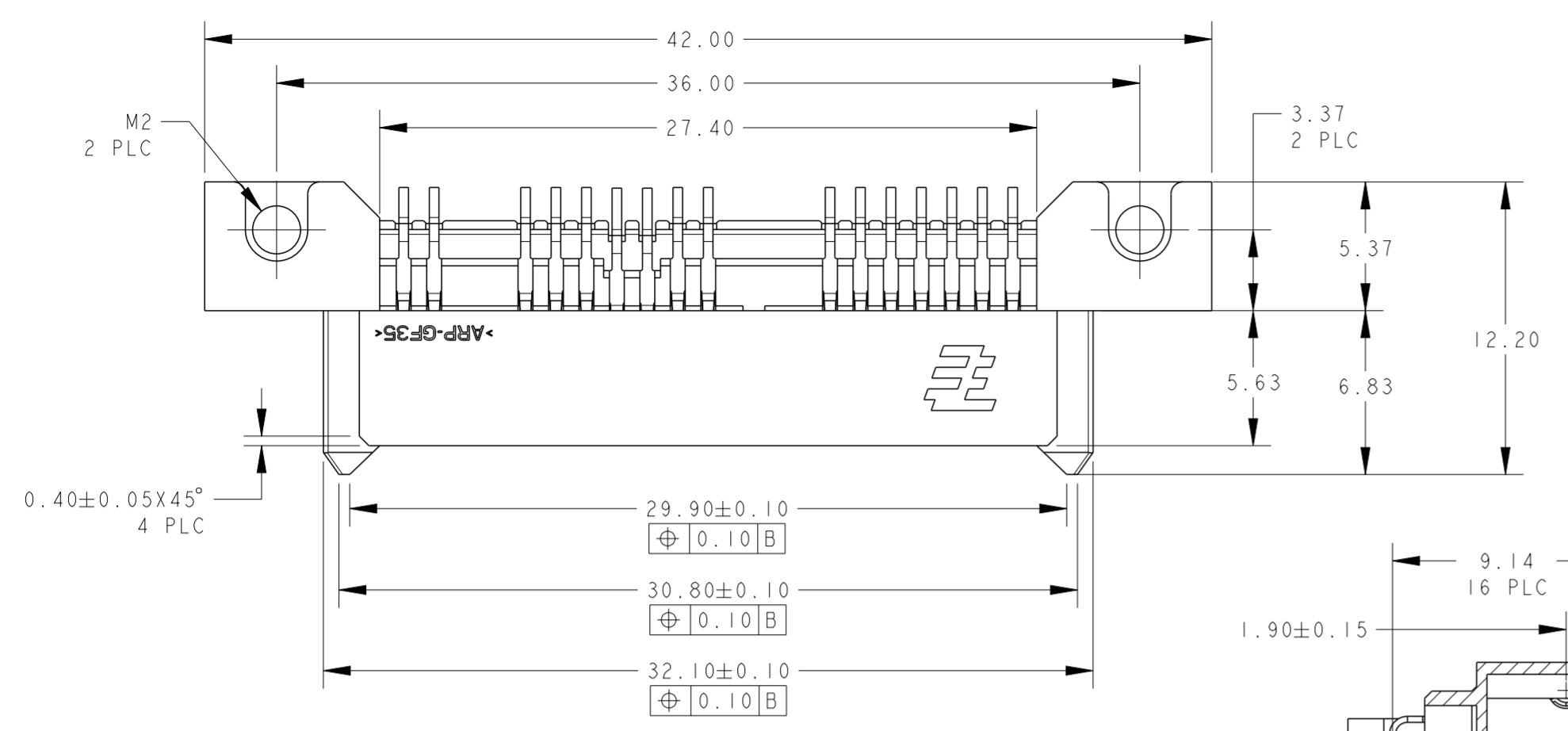


THIS DRAWING IS UNPUBLISHED. RELEASED FOR PUBLICATION 20
 © COPYRIGHT 20 BY - ALL RIGHTS RESERVED.

LOC		DIST		REVISIONS			
P	LTR	DESCRIPTION	DATE	DWN	APVD		
AI		REVISED ECR-13-014306, ADD REEL PACKAGE	24OCT2013	E.L.	V.P.		



SCALE 3:1

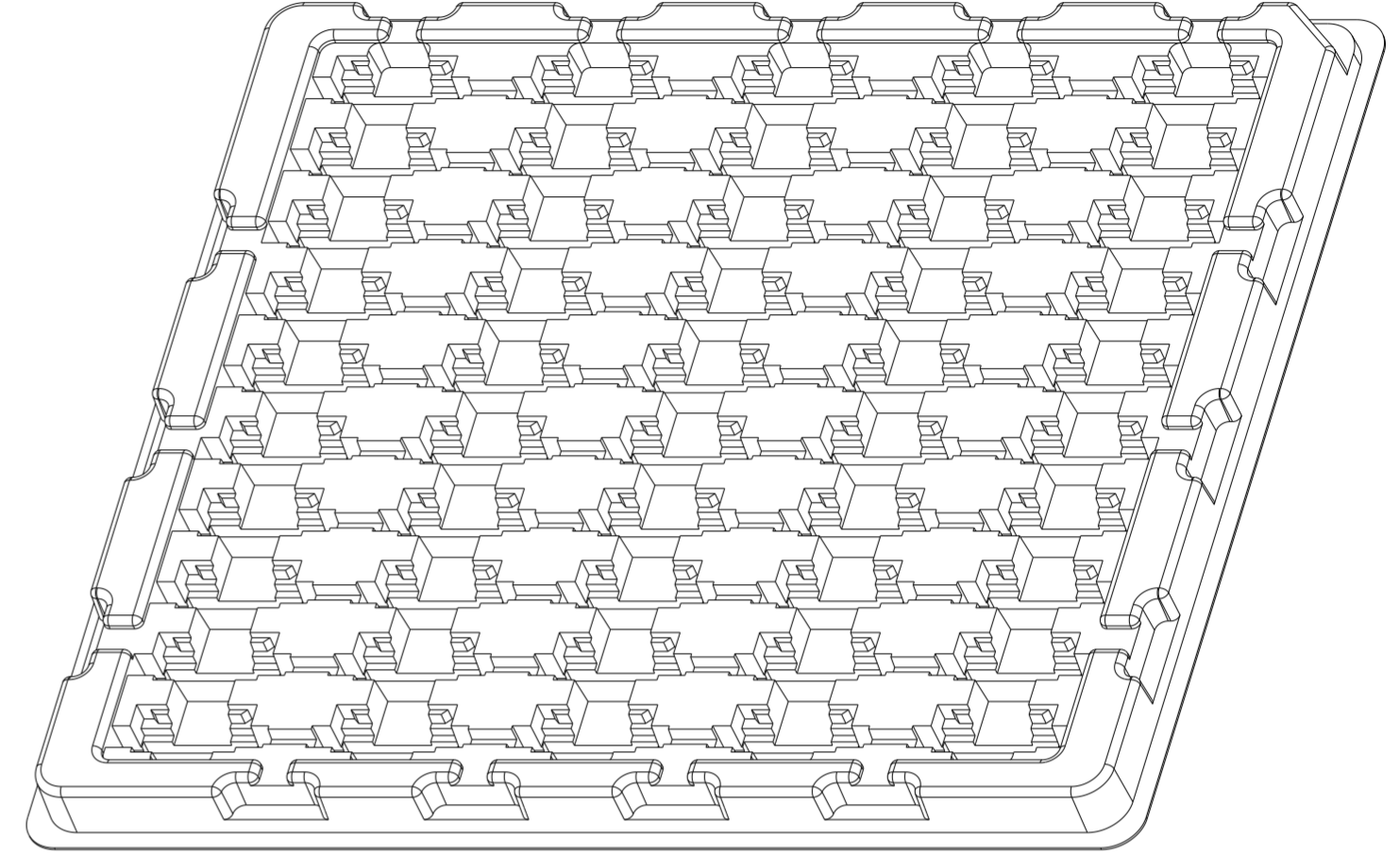
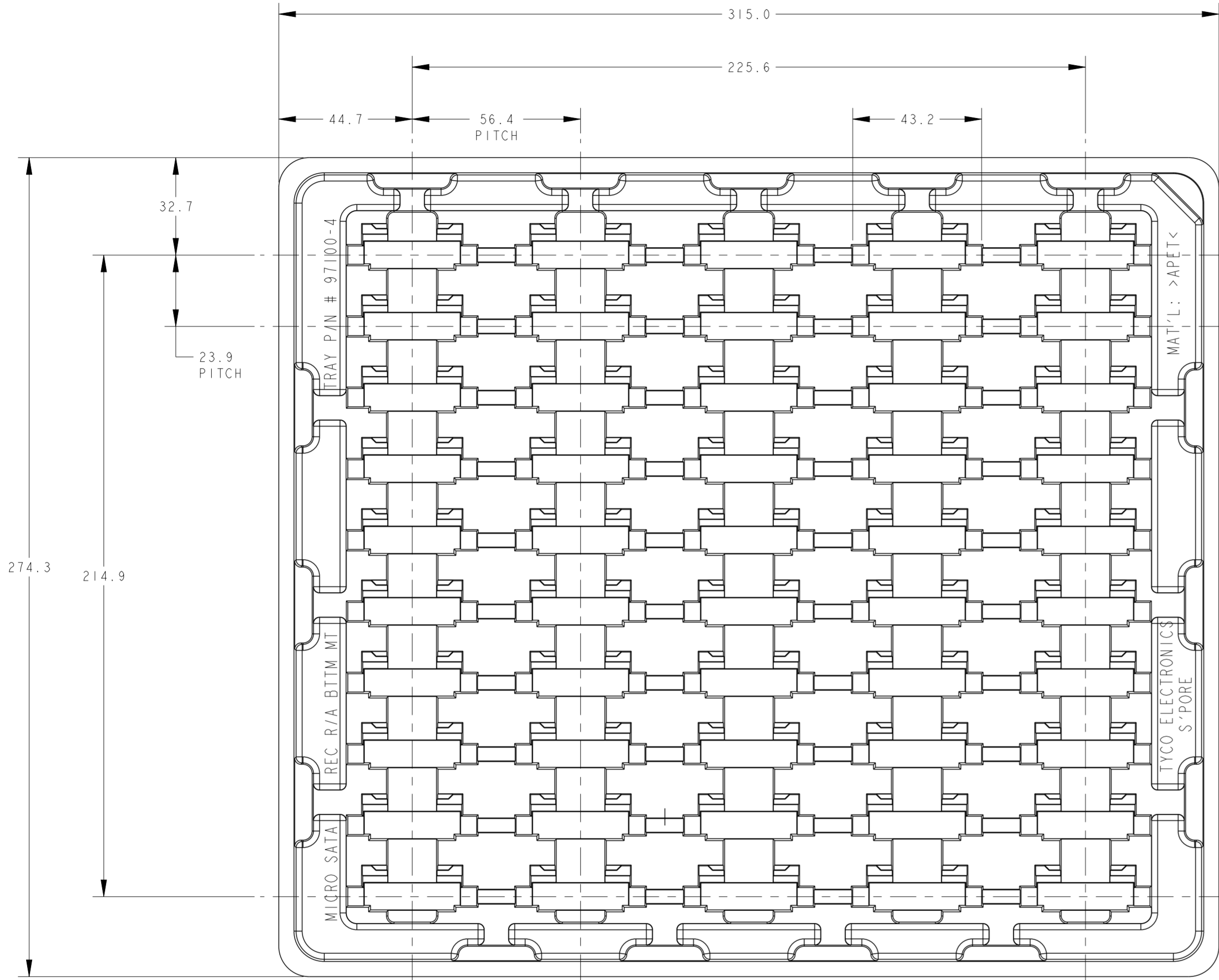
- NOTES:
- MATERIAL:
 HOUSING: HIGH TEMP THERMOPLASTIC, UL94V-0, COLOR: BLACK
 CONTACT: COPPER ALLOY
 BOARDLOCK: COPPER ALLOY
 M2 NUT: STEEL
 - FINISH:
 CONTACT MATING AREA: GOLD PLATING OR GOLD FLASH OVER
 PALLADIUM-NICKEL (REFER TO TABLE)
 CONTACT SOLDER TAIL: MIN 2.54um MATTE TIN PLATING
 BOARDLOCK: MIN 2.54um MATTE TIN PLATING
 UNDERPLATE: MIN 1.27um NICKEL PLATING ALL OVER
 - PIN #P3 AND #P4 ONLY

REEL	PLATING	PART NUMBER
	GOLD FLASH ONLY	I-1735583-3
	0.38µm [15u"] MIM	I-1735583-2
	0.76µm [30u"] MIN	I-1735583-1
TRAY	PLATING	PART NUMBER
	GOLD FLASH ONLY	1735583-3
	0.38µm [15u"] MIM	1735583-2
	0.76µm [30u"] MIN	1735583-1
PACKAGE TYPE	PLATING	PART NUMBER
	AU OR PD-NI THICKNESS	PART NUMBER

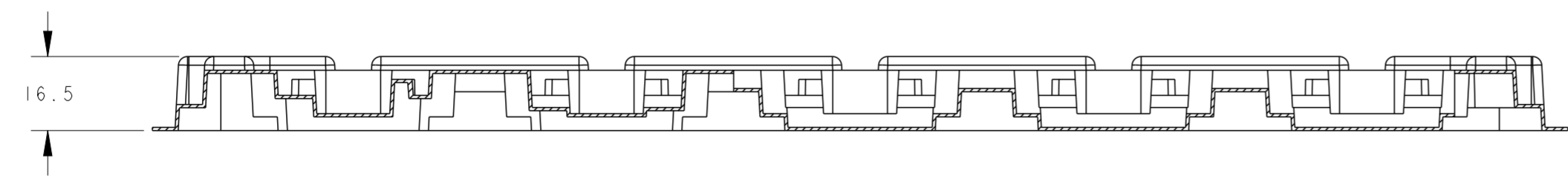
THIS DRAWING IS A CONTROLLED DOCUMENT.		DWN TY PANG	12NOV2007	TE Connectivity
DIMENSIONS: mm		CHK SF LEONG	04JAN2008	
TOLERANCES UNLESS OTHERWISE SPECIFIED:		APVD SF LEONG	04JAN2008	
0 PLC ± 1 PLC ± 2 PLC ±0.20 3 PLC ± 4 PLC ± ANGLES ±3° FINISH		PRODUCT SPEC		
MATERIAL		APPLICATION SPEC		NAME MICRO SATA RECEPTACLE, 16P RIGHT ANGLE, SMT BOTTOM MOUNT, H5.75
		WEIGHT		SIZE CAGE CODE DRAWING NO RESTRICTED TO
		CUSTOMER DRAWING		A200779 C-1735583
		SCALE 4:1	SHEET 1 OF 3	REV A1

THIS DRAWING IS UNPUBLISHED. RELEASED FOR PUBLICATION 20
 © COPYRIGHT 20 BY - ALL RIGHTS RESERVED.

LOC	DIST	REVISIONS				
P	LTR	DESCRIPTION	DATE	DWN	APVD	
DY	-	SEE SHEET 1	-	-	-	



4. PACKAGE MATERIAL TRAY: APET

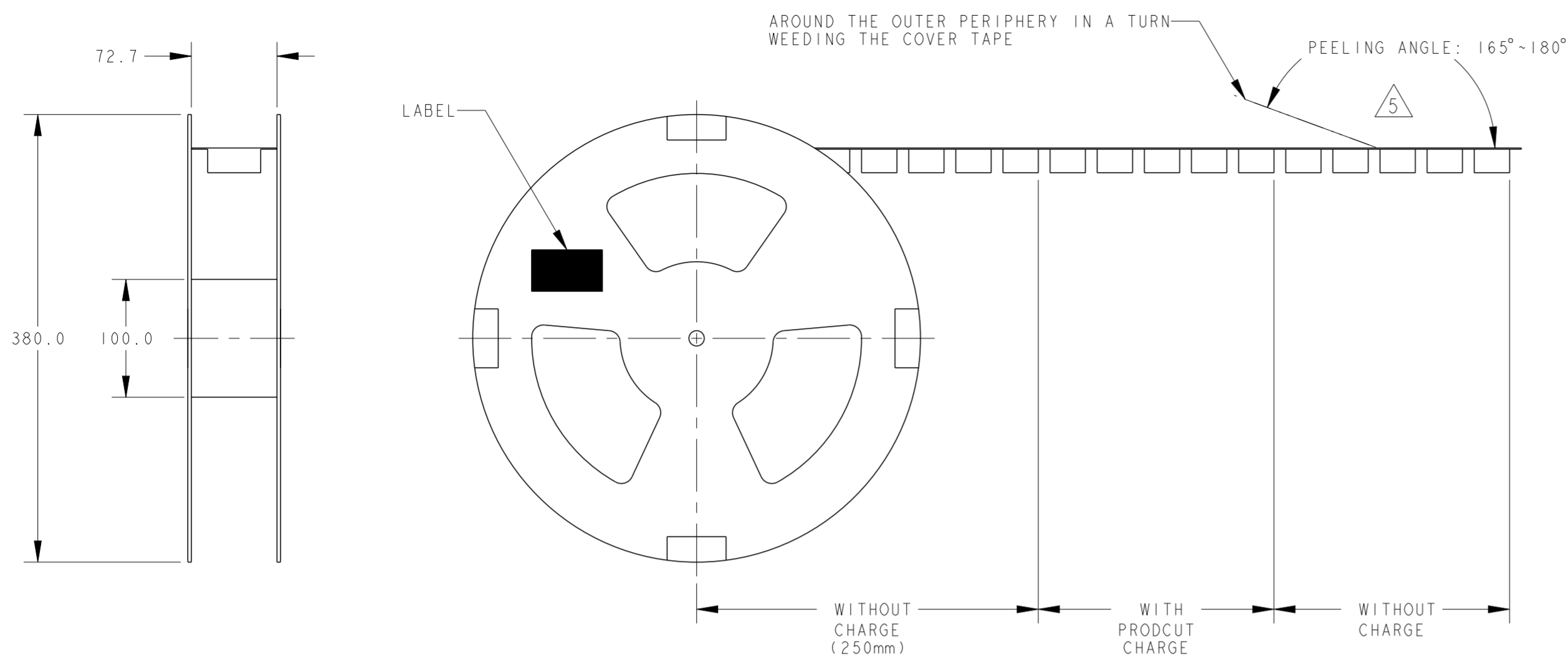


50	11	550	1735583-3
			1735583-2
			1735583-1
PCS/TRAY	TRAY/BOX	PCS/BOX	PART NUMBER

THIS DRAWING IS A CONTROLLED DOCUMENT.		DWN	TE Connectivity STE	
DIMENSIONS: mm		CHK		
TOLERANCES UNLESS OTHERWISE SPECIFIED:		APVD		
0 PLC ± 1 PLC ±3 2 PLC ±2 3 PLC ±1 4 PLC ± ANGLES ±3° FINISH		PRODUCT SPEC		
MATERIAL		APVD	NAME MICRO SATA RECEPTACLE, 16P RIGHT ANGLE, SMT BOTTOM MOUNT, H5.75	
		PRODUCT SPEC	SIZE CAGE CODE DRAWING NO RESTRICTED TO	
		APPLICATION SPEC	A200779 C-1735583	
		WEIGHT	SCALE NONE SHEET 2 OF 3 REV A1	
		CUSTOMER DRAWING		

THIS DRAWING IS UNPUBLISHED. RELEASED FOR PUBLICATION 20
 © COPYRIGHT 20 BY - ALL RIGHTS RESERVED.

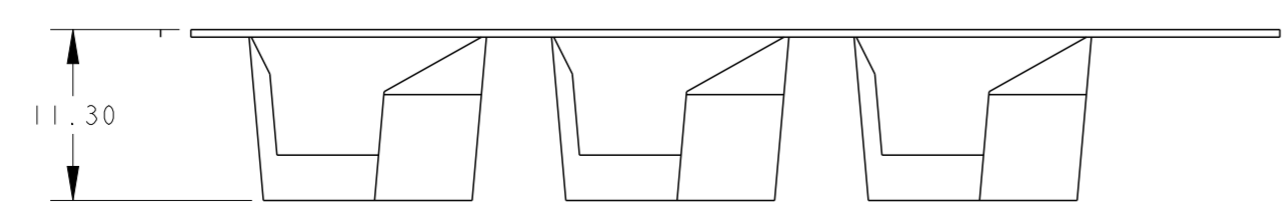
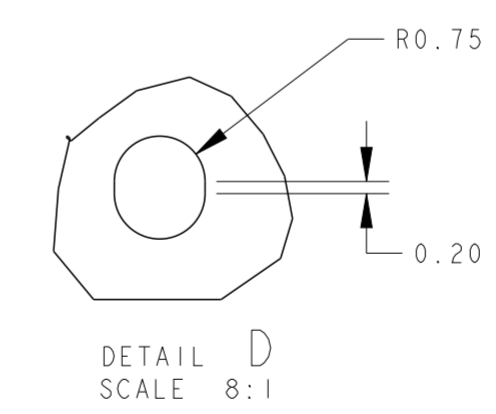
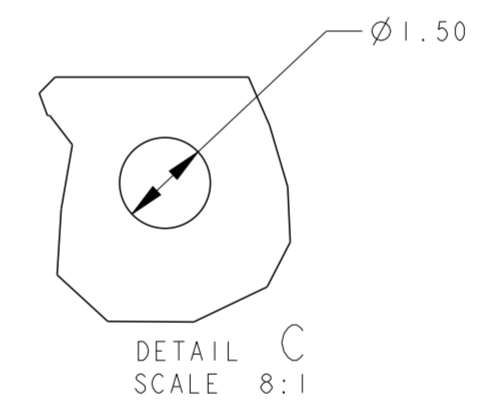
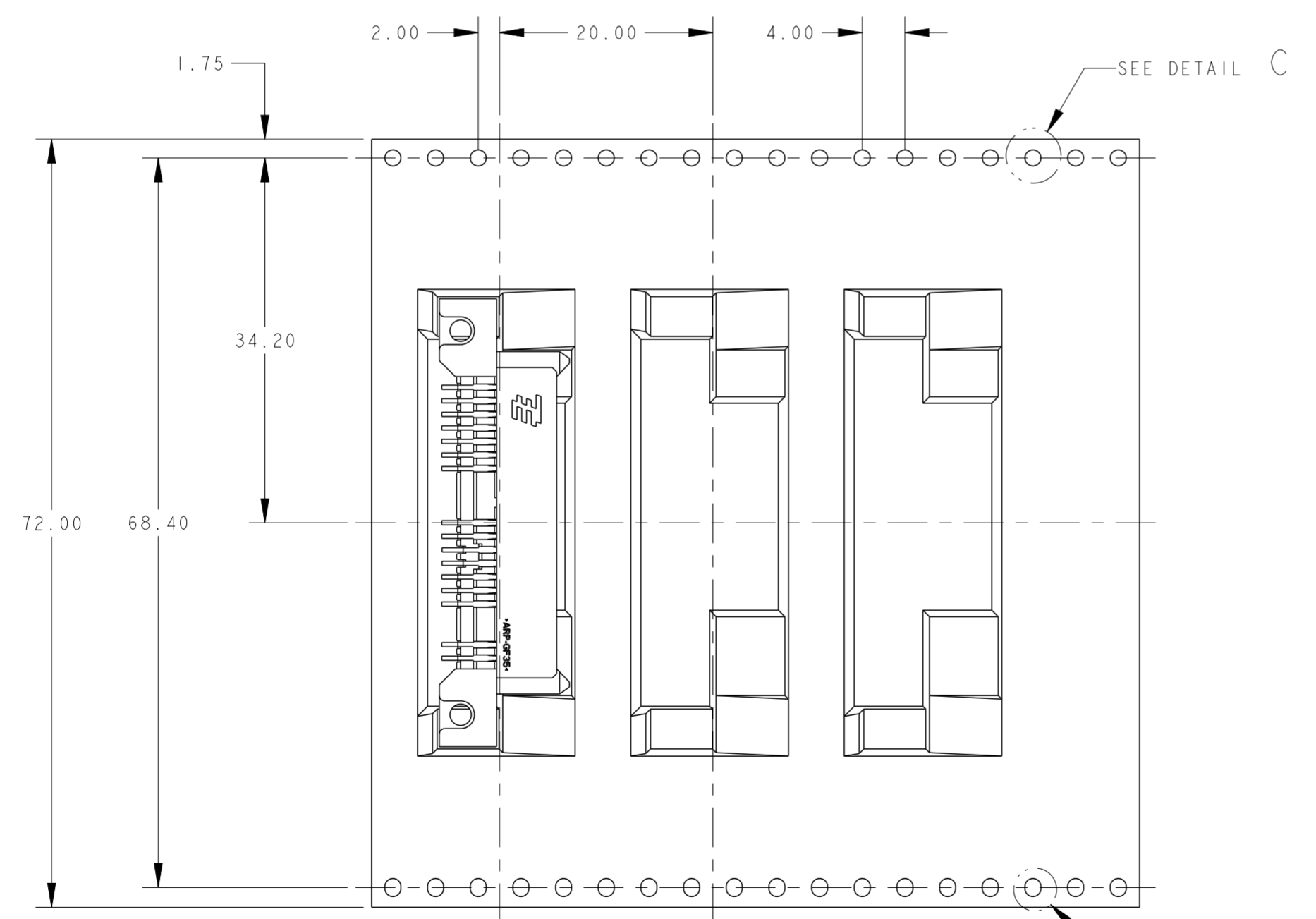
LOC	DIST	REVISIONS			
P	LTR	DESCRIPTION	DATE	DWN	APVD
DY	-	SEE SHEET 1	-	-	-



5 PEELING STRENGTH OF COVER TAPE: 0.2N~1.2N

6. PACKAGE MATERIAL
 CARRY TAPE: PS, COLOR: BLACK
 COVER TAPE: PET, COLOR: CLEAR

USER DIRECTION OF UNREELING →



400	3	1200	1-1735583-3
			1-1735583-2
			1-1735583-1
PCS/REEL	REEL/BOX	PCS/BOX	PART NUMBER

THIS DRAWING IS A CONTROLLED DOCUMENT.		DWN	TE Connectivity	
DIMENSIONS: mm		CHK	NAME	
TOLERANCES UNLESS OTHERWISE SPECIFIED:		APVD	MICRO SATA RECEPTACLE, 16P	
0 PLC	±	PRODUCT SPEC	RIGHT ANGLE, SMT	
1 PLC	±1	APPLICATION SPEC	BOTTOM MOUNT, H5.75	
2 PLC	±0.5	WEIGHT	SIZE	CAGE CODE
3 PLC	±	CUSTOMER DRAWING	A200779	C-1735583
4 PLC	±	SCALE	NONE	SHEET 3 OF 3
ANGLES	±3°	REV	AI	
FINISH				