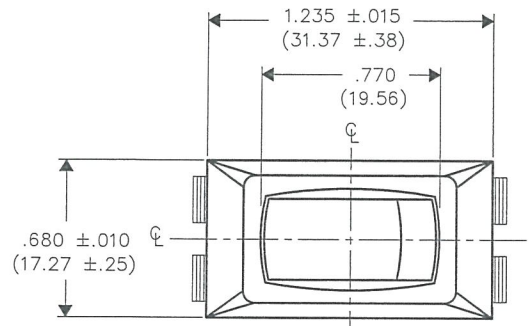


F  
 D  
 C  
 B  
 A

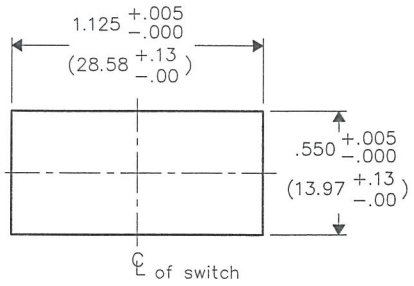
THIS INFORMATION IS CONFIDENTIAL AND PROPRIETARY TO CW INDUSTRIES INCORPORATED AND ITS AFFILIATES. IT MAY NOT BE DISCLOSED TO ANYONE OTHER THAN CW INDUSTRIES PERSONNEL, WITHOUT WRITTEN AUTHORIZATION FROM CW INDUSTRIES INCORPORATED, SOUTHAMPTON, PENNSYLVANIA USA.

DIMENSIONS IN INCHES (MILLIMETERS)  
 DO NOT SCALE DRAWING .....

Dwg. No.  
**GRLH-2011-1600**

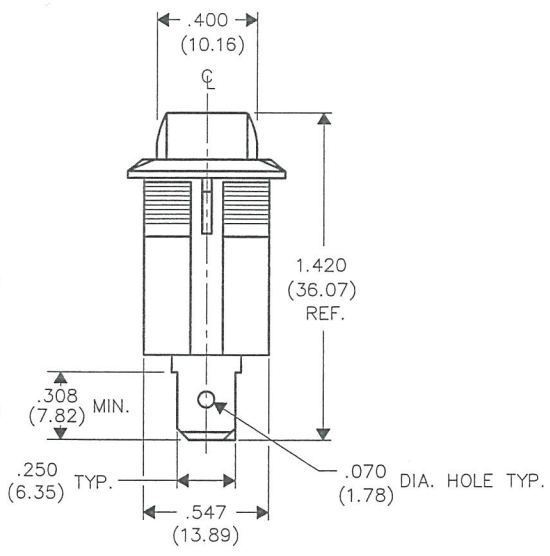
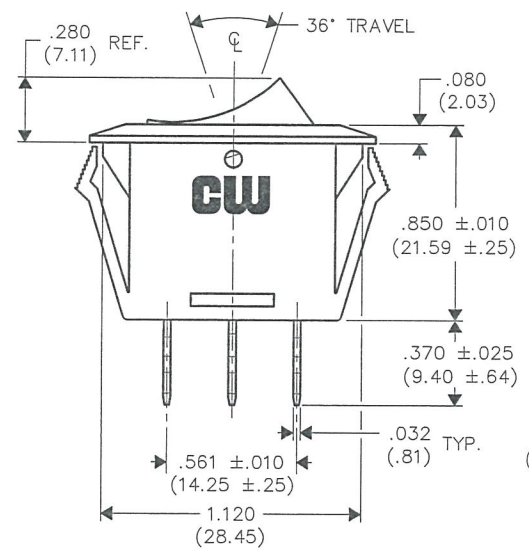


**PANEL PIERCING**



BUTTON COLOR - Red Transparent  
 HOUSING COLOR - Black

**SWITCH RATINGS:**  
 UL/CSA/105°  
 16A. 125VAC 12A. 250VAC  
 3/4 H.P. 125-250 VAC  
 VDE  
 12(6)A. 250V ~ T55°



1      2      3      4      5      6      7      8      9      10

FORM-B3  
**REVISIONS**

0  
 RELEASED  
 DGW 7-01-13  
 JUL 19 2013

PDF File Made  
 ID. No.

**CW INDUSTRIES**  
 Southampton, Pa. 18966  
 TOLERANCES UNLESS OTHERWISE SPECIFIED  
 2 Place Decimal ±.010 METRIC  
 3 Place Decimal ±.005 1 Place Dec. ±.25mm  
 Angles ..... ±1' 2 Place Dec. ±.13mm  
 Made for: CW IND.  
 Drawn by: DGW 7-01-13  
 Checked by: *G. Guld 7-8-13*  
 Approval: *G. Guld 7-8-13*

Title: **ROCKER SWITCH ASSEMBLY (SNAP IN) S.P.-S.T. LAMP STYLE**  
 Division: **SWITCH**  
 Dwg. No. **GRLH-2011-1600**

MASTER