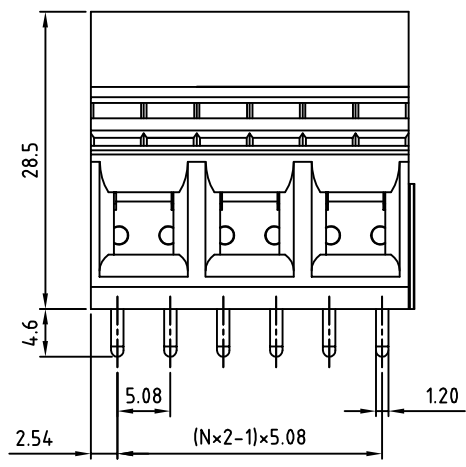
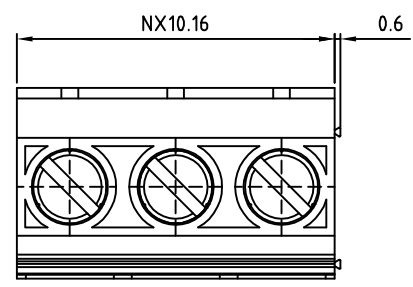
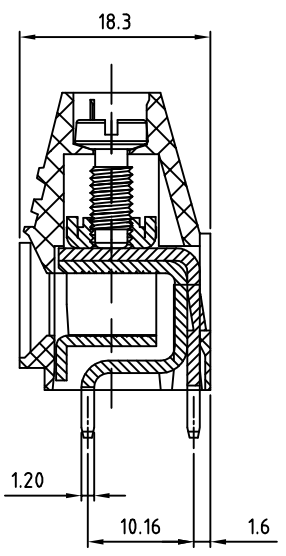


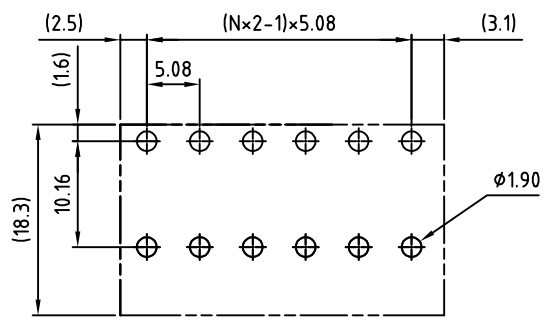
SIGN	DATE	DESCRIPTION	APPROVER
		<i>THIS IS CAD DRAWING, DO NOT REVISE MANUALLY!!!</i>	



N=Number of poles



P.C.B LAYOUT



- Material**
- Terminal body (metal housing) : Steel stamping
 - Terminal screw : Steel Zinc plating "-" slot type
 - Contacts : Brass
 - Surface of solder tail : Tin plated
 - Insulator (housing) : Thermoplastic (UL94V-0)

- Electrical**
- Voltage rating : 300V
 - Current rating : 57A
 - Wire range : Solid wire (AWG) : 8-22 Stranded wire (AWG) : 8-22
 - Torque (LB-In.) : 19
 - Screw : M4
 - Wire strip length : 10-11mm
 - Withstanding voltage : 1.6KV
 - Operating temperature : -30°C+105°C
 - Soldering temperature : 250°C+10°C/5 Sec
 - Safety Approval: US

RoHS Compliant

PART NUMBER:

OSTVPXX6585

No. of Poles	COLOR
02 2 Poles	0: Black
03 3 Poles	5: Green
...	6: Blue
12 12 Poles	8: Grey (Standard)



THESE DRAWINGS AND SPECIFICATIONS ARE THE PROPERTY OF ON-SHORE TECHNOLOGY, INC. AND SHALL NOT BE REPRODUCED, COPIED OR USED IN ANY MANNER WITHOUT THE PRIOR WRITTEN CONSENT OF ON-SHORE TECHNOLOGY, INC.

TITLE		OSTVP 10.16mm Series (double contact) with steel stamping, 2p-12p					
PART NO.	OSTVPXX6585	DWG NO.	OSTVPXX6585.DWG				
APPROVED	CHECKED	DESIGNED	DRAWN	CUST NO.	Tolerance		
Shi Jun 2006.10.23	Marvin 2006.10.23	Marvin 2006.10.23	Marvin 2006.10.23		UNIT: mm	X.	±0.50
				SHEET: 01/01	SCALE: NONE	X.X	±0.30
					REV.: F	X.XX	±0.10
						X°	±1°