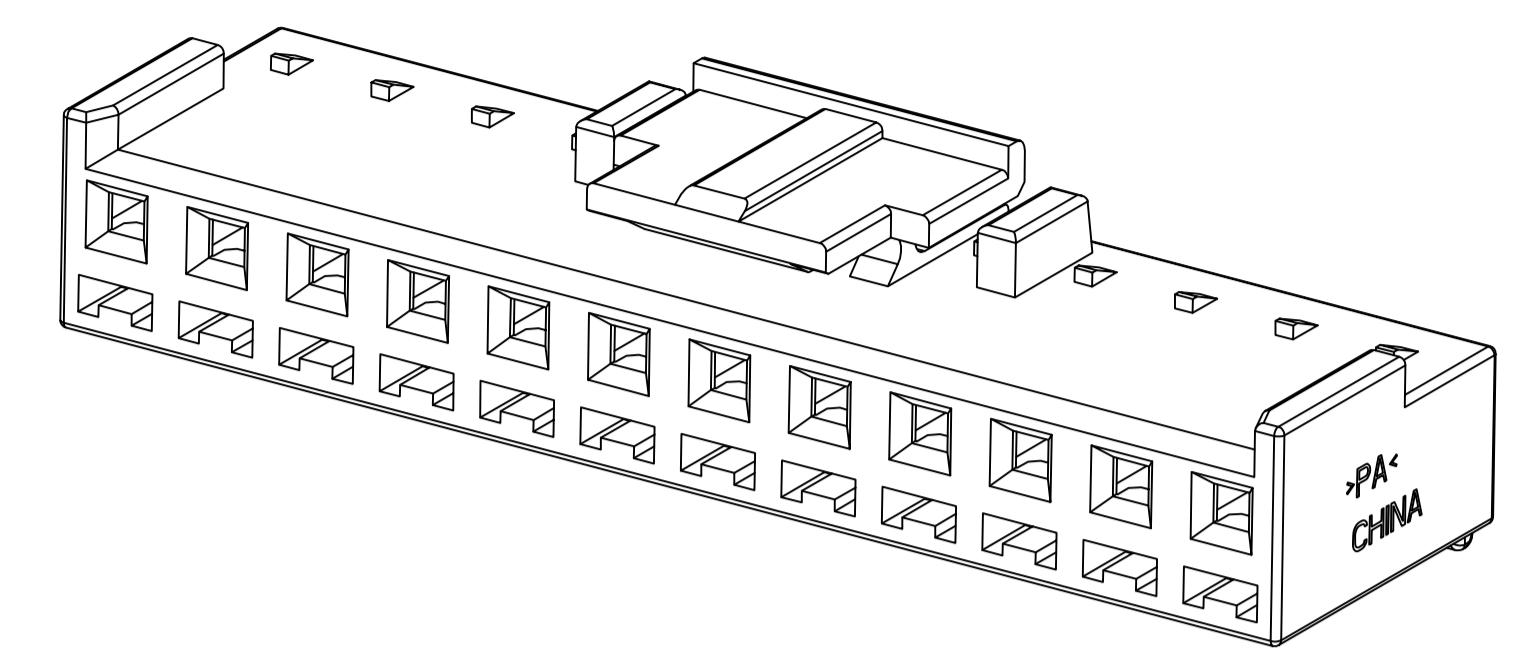
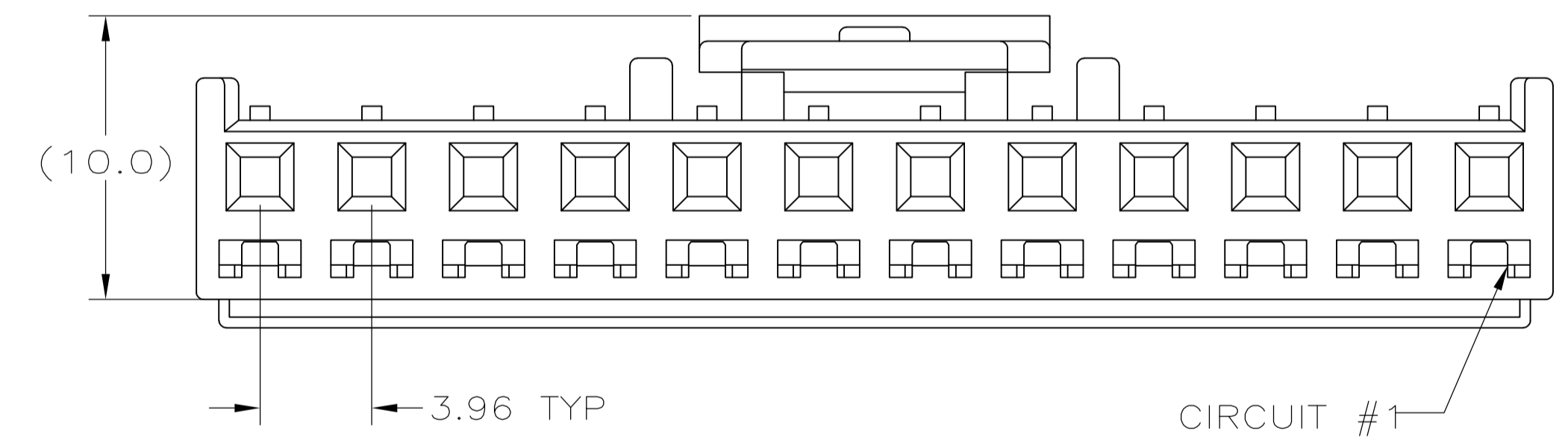
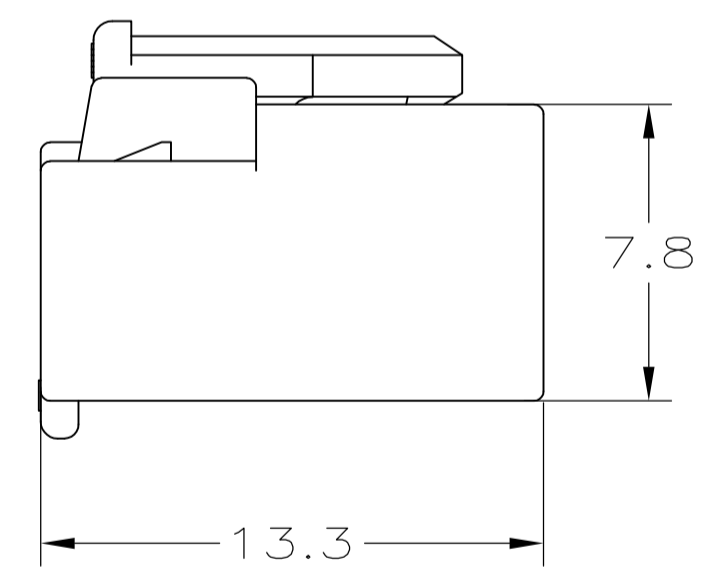
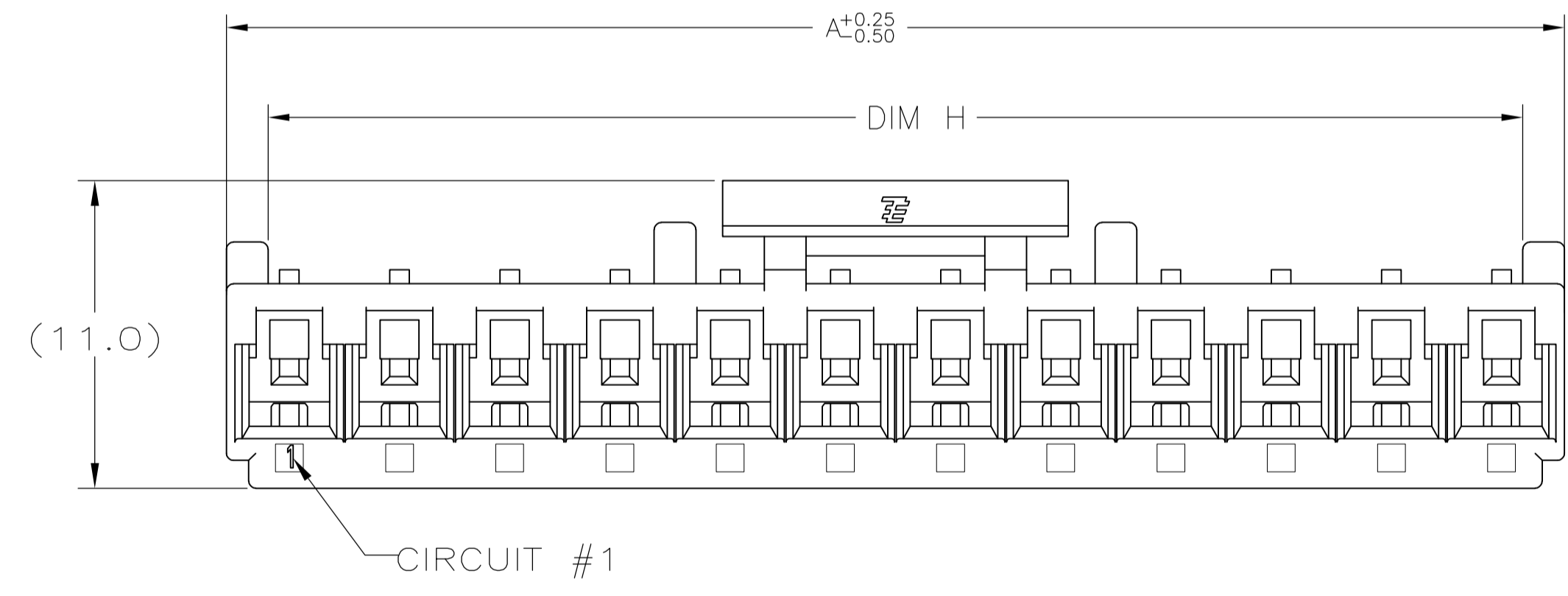
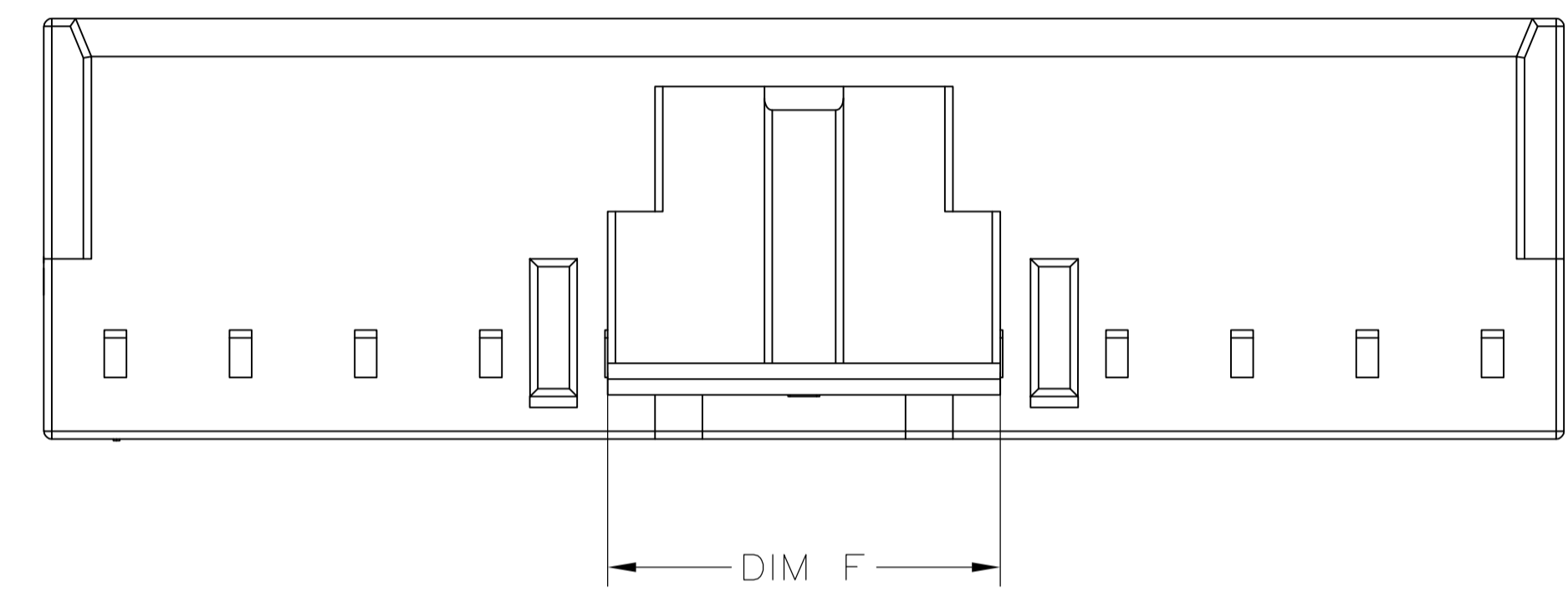


ISOMETRIC REAR VIEW
(12 POSITION SHOWN)



ISOMETRIC MATING FACE VIEW
(12 POSITION SHOWN)



- 1 MATERIAL: NYLON, UL94V-0 FLAME RETARDENT, COLOR: NATURAL
- 2 HOUSINGS TO USE "BREAKWAY RETAINER", P/N:1-1744416-2 (12 POSN), 12 POSITION PART TO BE SEPARATED AT APPROPRIATE NOTCHES TO FIT 2 POSITION THRU 11 POSITION HOUSINGS.
- 3 COMPLY WITH GLOW WIRE REQUIREMENTS FOR PARTS OF NON-METALLIC MATERIAL SUPPORTING A CURRENT-CARRYING CONNECTION DETAILED IN IEC 60335-1, SECTION 30(GWT)

45.68	12.42	48.08	12	1-1744416-2
41.72	8.46	44.12	11	1-1744416-1
37.76	12.42	40.16	10	1-1744416-0
33.80	8.46	36.20	9	1744416-9
29.84	12.42	32.24	8	1744416-8
25.88	8.46	28.28	7	1744416-7
21.92	12.42	24.32	6	1744416-6
17.96	8.46	20.36	5	1744416-5
14.36	12.42	16.40	4	1744416-4
10.40	8.46	12.44	3	1744416-3
6.44	4.50	8.48	2	1744416-2
DIM H	DIM F	DIM A	NO. OF POSN	PART NUMBERS

THIS DRAWING IS A CONTROLLED DOCUMENT.

DIMENSIONS: mm	TOLERANCES UNLESS OTHERWISE SPECIFIED:	DIN: JR_RUTH 31OCT11	STE	TE Connectivity
0 PLC ± -	1 PLC ± 0.4	CHK: SAM_MACE 31OCT11		
2 PLC ± 0.25	3 PLC ± 0.13	APVD: SAM_MACE 31OCT11		
4 PLC ± -	ANGLES ± 1	NAME: RECEPTACLE HOUSING, ECONOMY POWER II, GLOW WIRE		
MATERIAL: 1	FINISH: -	APPLICATION SPEC: -	SIZE: A1	RESTRICTED TO: -
		WEIGHT: -	CAGE CODE: 00779	DRAWING NO: 1744416
		CUSTOMER DRAWING	SCALE: 5:1	SHEET 1 OF 1