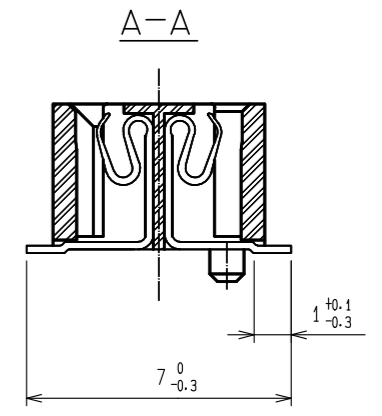
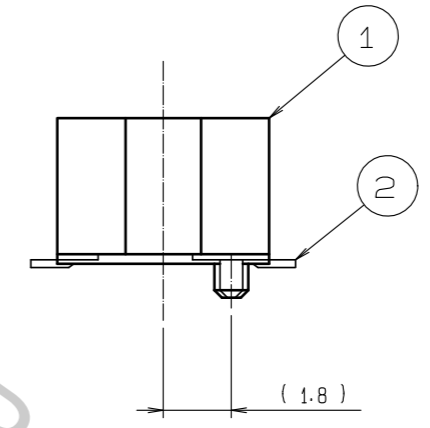
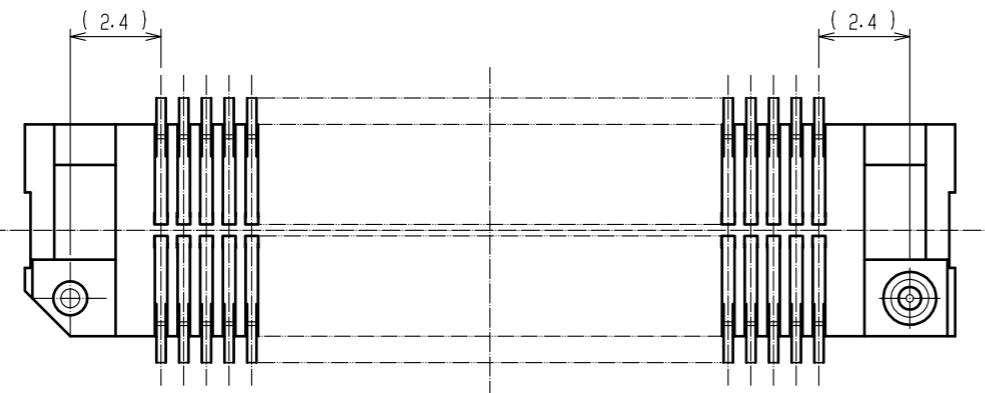
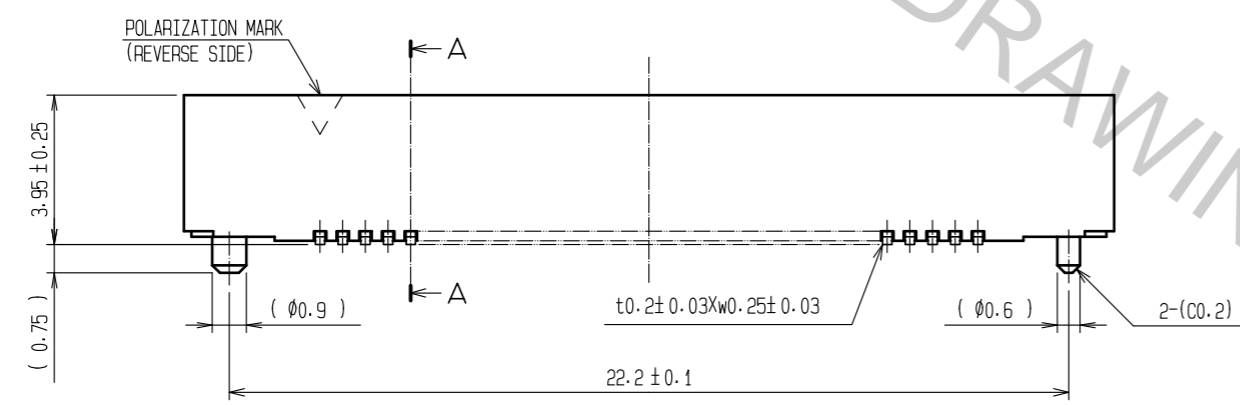
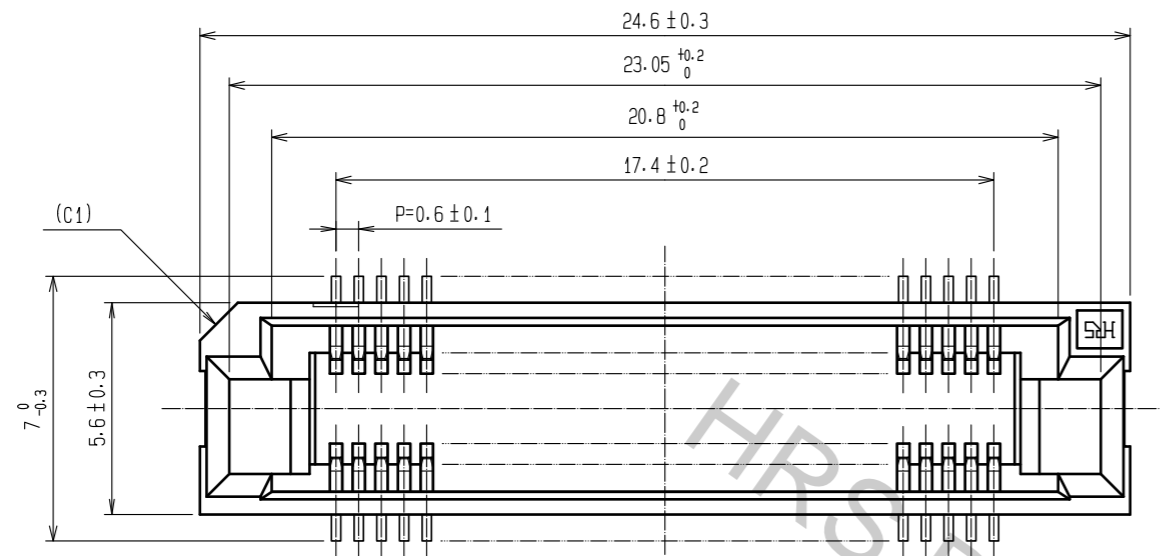
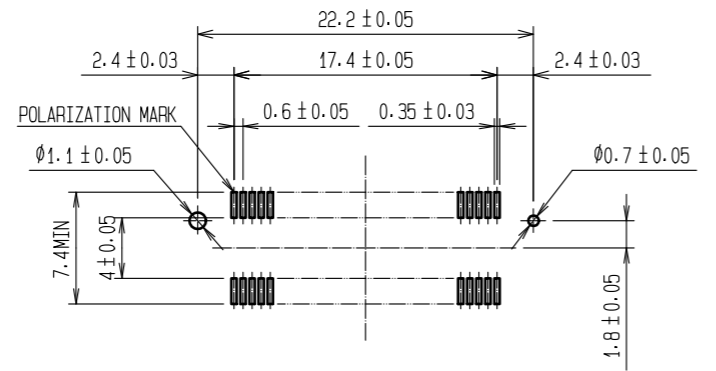


Aug.1.2018 Copyright 2018 HIROSE ELECTRIC CO., LTD. All Rights Reserved.
 In case that the application demands a high level of reliability, such as automotive,
 please contact a company representative for further information.



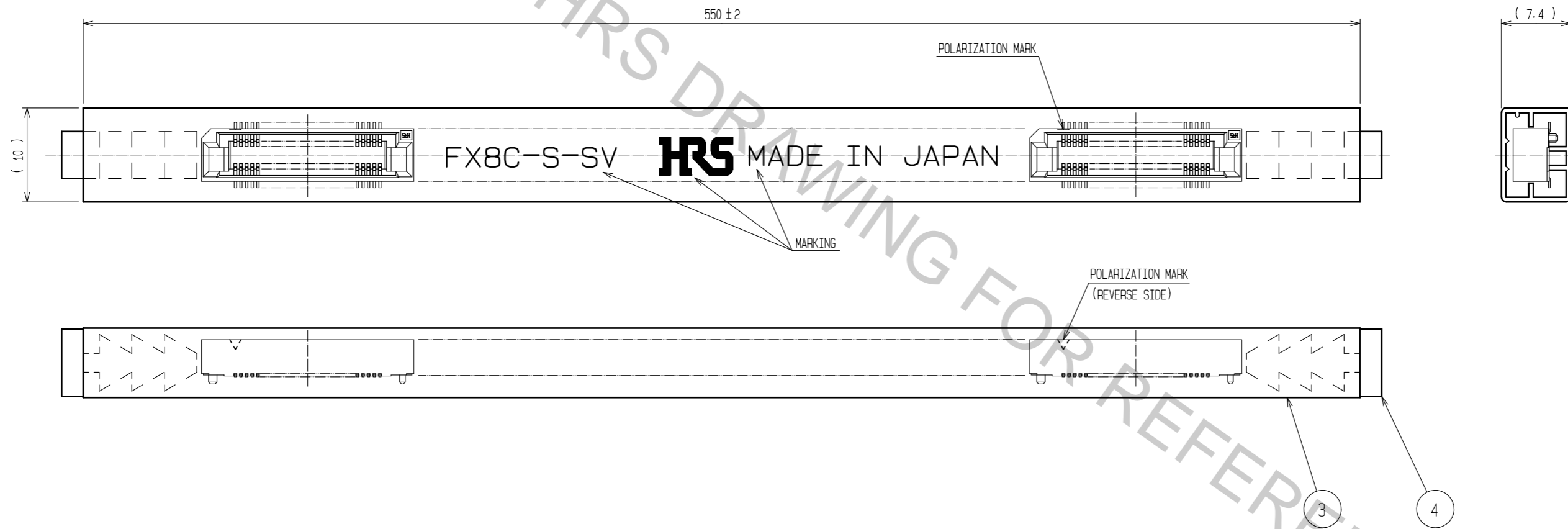
RECOMMENDED LAND PATTERN DIMENSION OF PCB (MOUNTING SIDE) (2:1)
 (RECOMMENDED METAL MASK THICKNESS:0.15mm)



- NOTE 1. LEAD CO-PLANARITY SHALL BE 0.1mm MAX.
 2. TUBE PACKAGING SHALL BE APPLIED FOR THIS PRODUCT.
 SEE NEXT PAGE FOR DETAILS.
 3. FOR MODIFICATION, ETC., PREVENTIVE HOLE FOR SINK
 MARK MAY BE ADDED ACCORDING TO CIRCUMSTANCES.
 4. THE DIMENSIONS IN PARENTHESES ARE FOR REFERENCE.

2	PHOSPHOR BRONZE	CONTACT AREA:GOLD 0.1μm min. LEAD AREA:GOLD 0.03μm min.	4	ELASTOMERS	(STOPPER)			
1	PPS	UNDER PLATING:NICKEL 1.5μm min. LIGHT BROWN (UL94V-0)	3	POLYVINYL CHLORIDE	(TUBE)			
NO.	MATERIAL	FINISH . REMARKS	NO.	MATERIAL	FINISH . REMARKS			
UNITS		SCALE	COUNT	DESCRIPTION OF REVISIONS		DESIGNED	CHECKED	DATE
mm		5 : 1						
HRS HIROSE ELECTRIC CO., LTD.		APPROVED : NH. NAKATA	18.02.28	DRAWING NO.		EDC-150881-68-00		
		CHECKED : HT. YAMAGUCHI	18.02.28	PART NO.		FX8C-60S-SV(68)		
		DESIGNED : TY. EDAGAWA	18.02.28	CODE NO.		CL578-0801-2-68		
		DRAWN : MK. INOUE	18.02.22			1/2		

DRAWING FOR PACKING(FREE)



- NOTE 1. 1 TUBE : 21 CONNECTORS.
 2. THE DIMENSIONS IN PARENTHESSES ARE FOR REFERENCE.

HRS	DRAWING NO.	EDC-150881-68-00
	PART NO.	FX8C-60S-SV(68)
	CODE NO.	CL578-0801-2-68

2/2

Aug.1.2018 Copyright 2018 HIROSE ELECTRIC CO., LTD. All Rights Reserved.
 In case that the application demands a high level of reliability, such as automotive,
 please contact a company representative for further information.