

Technical specification :

Rated voltage: IEC 61076-2-104	30 V
Current rating: IEC 61076-2-104	3 A at 40°C
Insulation resistance: IEC 60512	$\geq 100 \text{ M}\Omega$
Pollution degree: IEC 60664-1	3/2
Degree of protection: IEC 60529	IP 67, in mated condition
Temperature range: IEC 60664-1	-30°C ... +80°C
Mating cycles: IEC 60512-9a	≥ 100

Materials:

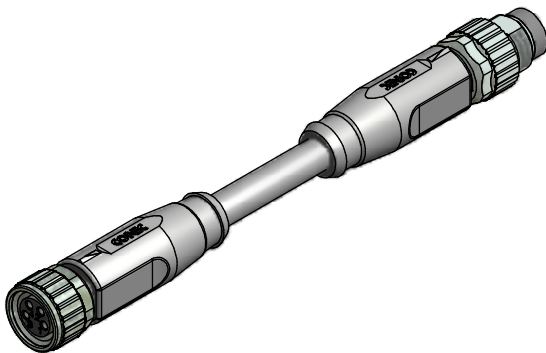
Contact:	CuZn
Contact plating:	Nickel, gold plated
Contact carrier:	TPU GF, UL 94
Sealing:	FPM
Coupling nut/ screw:	GD-Zn, nickel plated
Moulding body:	TPU, UL 94, grey

Installation specification:

Recommended torque:	0,4 Nm
Conec installation tool:	Torque wrench: 36-000200 Insert across flats 9: 36-000210

Contact assignment:

- 1) brown
- 2) white
- 3) blue
- 4) black



D see data sheet cable

Part no:	Description:	Length L:	Cable:
42-10157	SAL - 8 - RK4 - RS4 - 0,3 / A1	0,3m	PVC, grey, 4x0,25mm ² Cable: 781-A12400
42-10158	SAL - 8 - RK4 - RS4 - 0,6 / A1	0,6m	
42-10159	SAL - 8 - RK4 - RS4 - 1,5 / A1	1,5m	
42-10160	SAL - 8 - RK4 - RS4 - 3 / A1	3,0m	
42-xxxxx	SAL - 8 - RK4 - RS4 - ... / A1	x	

DO NOT ALTER CAD DRAWING BY HAND
Directive 2002/95/EC RoHS compliant

Index: a 16.03.11 VF Ä3945
Coupling nut/ screw modified, spanner flats added, data sheet modified

tolerance of cable: $L \leq 4\text{m}: L + 40\text{mm}$
 $L > 4\text{m}: L + 1\%$

THIS DRAWING MAY NOT BE COPIED OR REPRODUCED IN ANY WAY, AND MAY NOT BE PASSED ON TO A THIRD PARTY WITHOUT WRITTEN PERMISSION.
OWNERSHIP AND COPYRIGHT OF CONEC GmbH

dim. in mm	date	name
	drawn 13.12.07	Franz
	appd. 13.12.07	Mankopf



title: **Connecting cable M8x1, female connector axial - male connector axial**

dwg no: **42K1A039**

part no: **see table**