

PRODUCT NUMBER
SEE P/N TABLE

- NOTE:
- MATERIAL:
HOUSING: HIGH TEMP. THERMOPLASTIC UL94V-0,
COLOR: BLACK
CONTACT: COPPER ALLOY.
 - CONTACT FINISH: 50u" MIN. NICKEL UNDERPLATED.
OPTIONAL PLATING ON CONTACT AREA.
 - THIS PLUG MATES WITH FCI RECEPTACLE WIRE
CONNECTOR 10127716.
 - PRODUCT SPECIFICATION: GS-12-1177.
 - PACKAGE SPECIFICATION: GS-14-2359.
 - THE HOUSING WILL WITHSTAND EXPOSURE TO 260°C PEAK
TEMPERATURE 10 SECONDS IN A REFLOW OVEN.
 - PART NUMBER SCHEME:
10127720- XX X X X LF

POS. CODE:
02: 2 POS
04: 4 POS
8: 8 POS
24: 24 POS

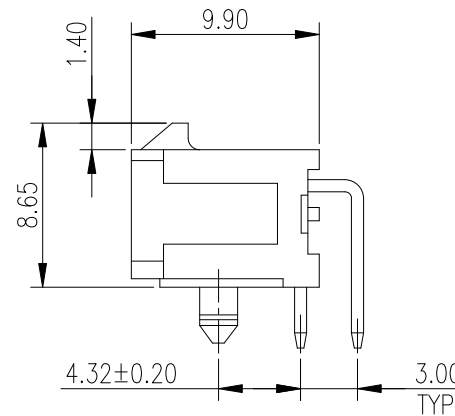
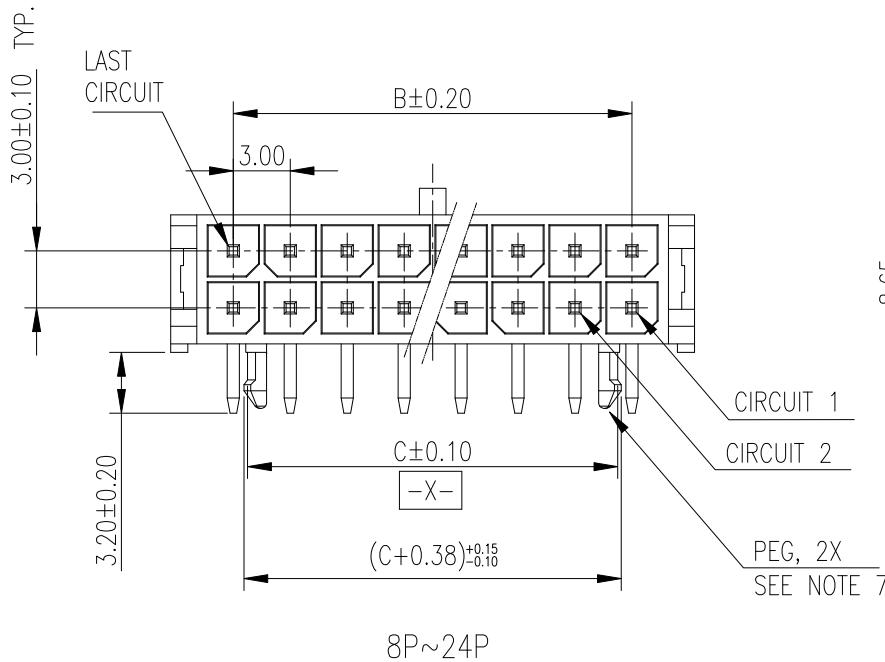
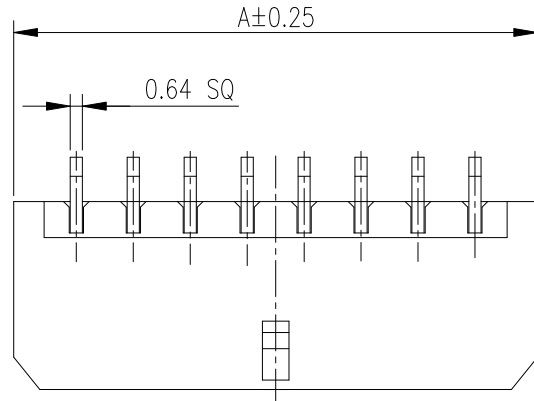
OPTIONAL PEGS:
N: NO PEG, ONLY
FOR 8 & 10 POS.

PLATING CODE:
1: 100u" TIN
2: GOLD FLASH
3: 15u" Au
4: 30u" Au

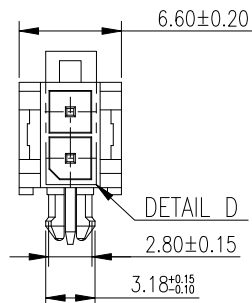
GLOW WIRE COMPATIBLE:
BLANK: NON-COMPATIBLE
G: COMPATIBLE

8. P/N & DIMENSION TABLE:

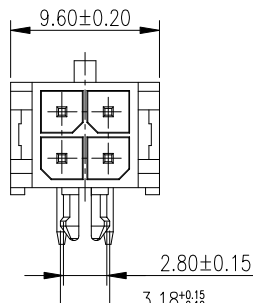
PART NO.	POS	A	B	C	D
10127720-02XXXLF	2	6.60	--	2.80	--
10127720-04XXXLF	4	9.60	3.00	2.80	--
10127720-06XXXLF	6	12.60	6.00	2.80	--
10127720-08XXXLF	8	15.60	9.00	7.50	4.70
10127720-10XXXLF	10	18.60	12.00	10.50	7.70
10127720-12XXXLF	12	21.60	15.00	13.50	10.70
10127720-14XXXLF	14	24.60	18.00	16.50	13.70
10127720-16XXXLF	16	27.60	21.00	19.50	16.70
10127720-18XXXLF	18	30.60	24.00	22.50	19.70
10127720-20XXXLF	20	33.60	27.00	25.50	22.70
10127720-22XXXLF	22	36.60	30.00	28.50	25.70
10127720-24XXXLF	24	39.60	33.00	31.50	28.70



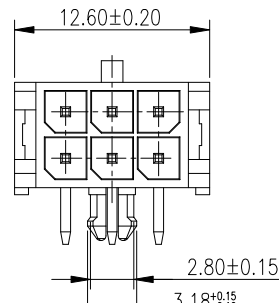
mat'l. code				surface		tolerance		projection		product family		
				✓				⊕		MINITEK PWR3.0		
ltr				ecn no		dr		date		title		
A				TAI		2013-10-21		tolerances unless otherwise specified		MINITEK PWR3.0 WTB HEADER		
B				ELX-T-17184		TAI		2014-03-12		DUAL ROW, R/A DIP TYPE		
C				ELX-T-19251		TAI		2014-10-31		scale		
D				ELX-T-23045		TAI		2016-01-15		dr		KENNY TAI
E				ELX-T-24032		TAI		2016-05-05		enchr		KENNY TAI
										chr		KENNY TAI
										appd		PM ZHENG
										date		2013-10-21
										date		2013-10-21
										date		2013-10-21
										date		2013-11-06
sheet index				revision sheet		E		E		1		2
										dwg no		10127720
										sheet 1 of 2		size
										CUSTOMER Drawing		A4
										type		CUSTOMER Drawing



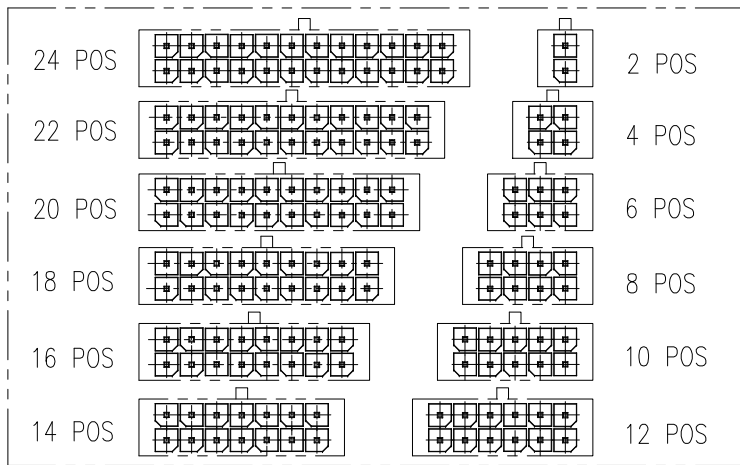
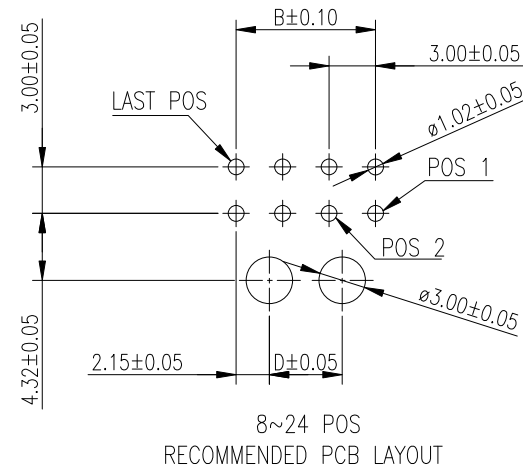
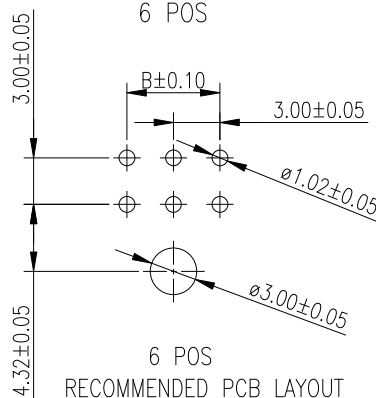
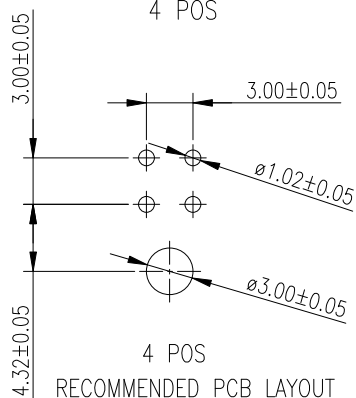
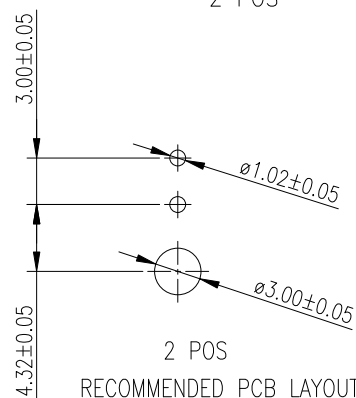
2 POS



4 POS



6 POS



DETAIL D

mat'l. code		surface	tolerance	projection	product family
ltr		tolerances unless otherwise specified		 MM	MINITEL PWR3.0
ecn no	dr	date	angles		title
			linear X.X ±0.3 X.XX ±0.20 X°±2°	 MM	MINITEL PWR3.0 WTB HEADER DUAL ROW, R/A DIP TYPE
			dr	scale	dwg no
			enr		sheet 2 of 2
			chr		size
			appd		A4
sheet index	revision sheet	E	E		type
		1	2		CUSTOMER Drawing

