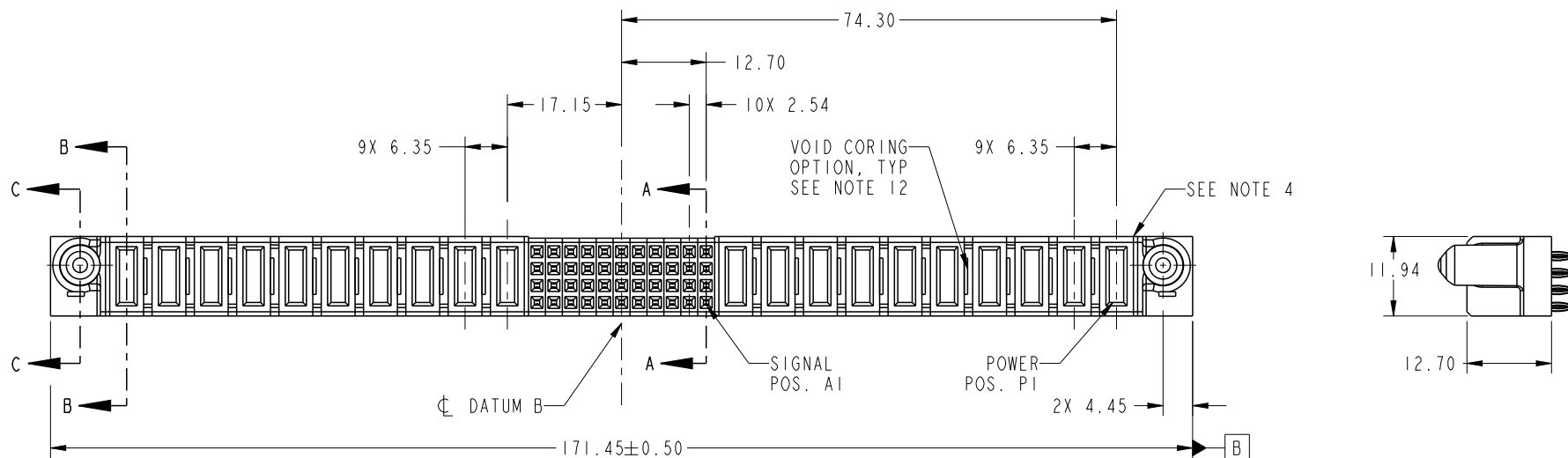


PRODUCT NO. 51750-119-- NOTE: 3	ROWS D C B A	POWER										SIGNAL										POWER										E1	
		E2	P20	P19	P18	P17	P16	P15	P14	P13	P12	P11	11	10	9	8	7	6	5	4	3	2	1	P10	P9	P8	P7	P6	P5	P4	P3		P2
			PF	PF	PF	PF	PF	PF	PF	PF	PF	F	F	F	F	F	F	F	F	F	F	F	PC	PC	PC	PC	PC	PC	PC	PC	PC	PC	

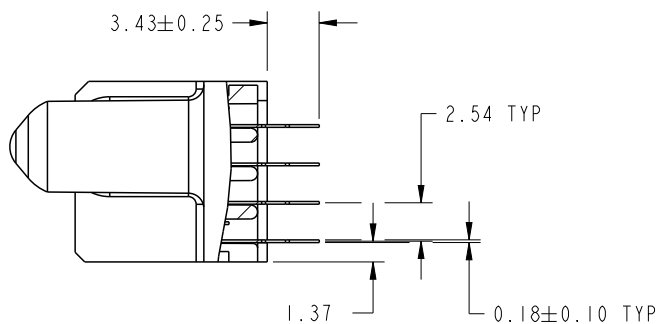


CODE	DIM "M" MATING LENGTH	CONTACT TYPE
PF	[2.34]	POWER
PC	[1.07]	POWER
F	[N/A]	SIGNAL

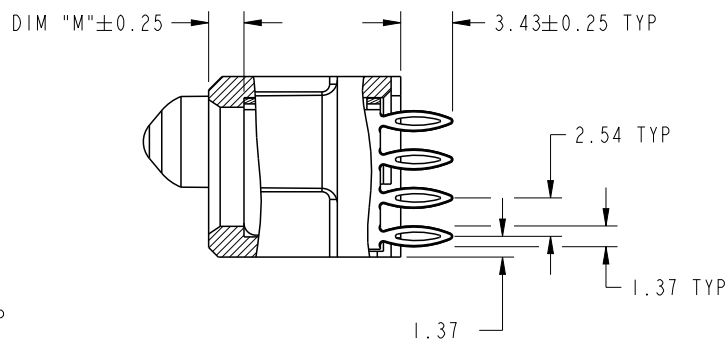
spec ref	dr Guang, Shi 2012/02/28		projection	MM	size	scale	
tolerance std	eng Luo Weller 2012/09/19				A4	1:1	
SEE NOTE	chr -		product family	PwrBlade	ecn no	-	
surface <input checked="" type="checkbox"/>	linear	0.X	±0.5	 www.fci.com	title 10P + 44S + 10P VERTICAL PRESS FIT RECEPT	dwg no 51750-119	
		0.XX	±0.25				rel level Released
		0.XXX	±0.1				
angular	0°	±2°	cat. no.	-	Product - Customer Drw	sheet 1 of 4	

PRODUCT NUMBER

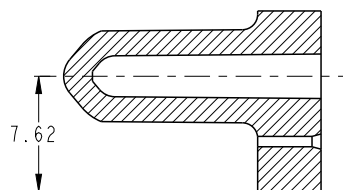
51750-119_
NOTE: 3



SECTION A-A
SCALE 2:1



SECTION B-B
SCALE 2:1



SECTION C-C
SCALE 2:1

dr	Guang, Shi	2012/02/28	projection 	MM 	size	A4	scale	1:1
eng	Luo Weller	2012/09/19			ecn no	-		
chr	-	-			rel level	Released		
appr	Pei-Ming Zheng	2012/09/19	product family	PwrBlade	rev	A		
	title	10P + 44S + 10P VERTICAL PRESS FIT RECEPT		dwg no	51750-119			
www.fci.com	cat. no.	-	Product - Customer Drw	sheet 2 of 4				

PRODUCT NUMBER

51750-119_
NOTE: 3

A

B

C

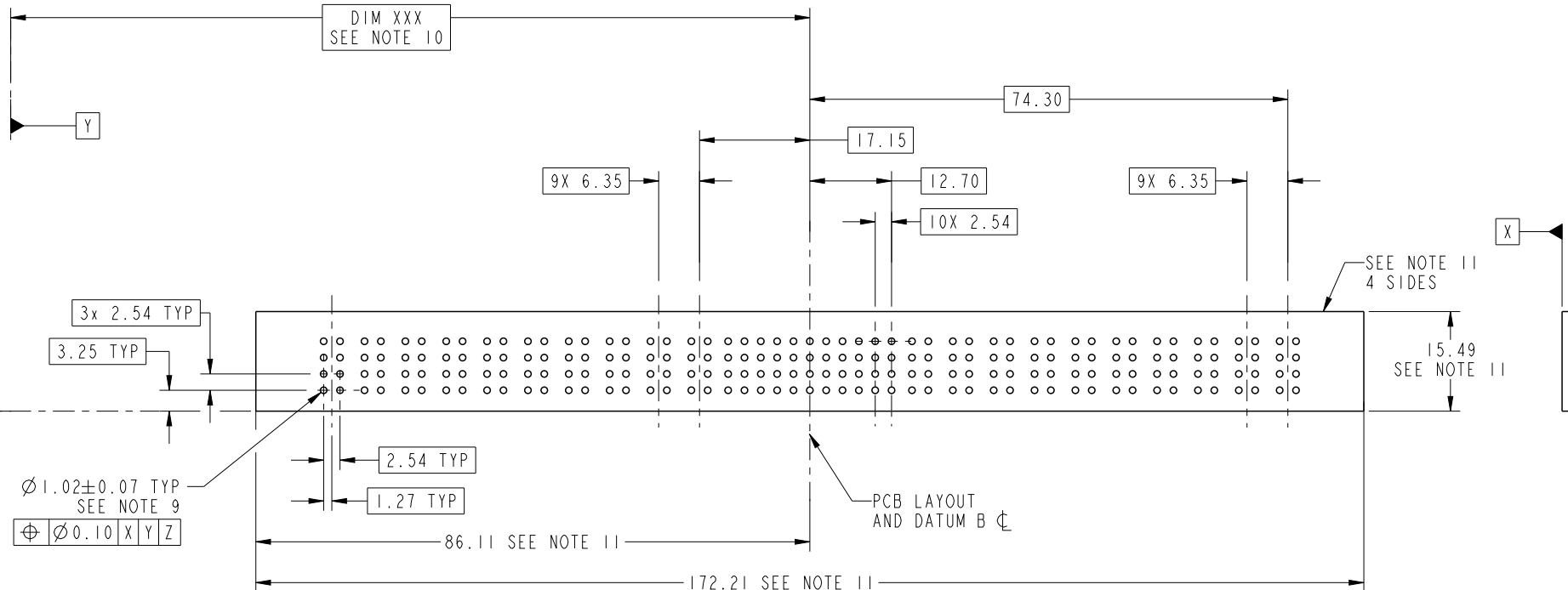
D

A

B

C

D



RECOMMENDED PCB LAYOUT

dr	Guang, Shi	2012/02/28	projection 	MM 	size	A4	scale	1:1
eng	Luo Weller	2012/09/19			ecn no	-		
chr	-	-			rel level	Released		
appr	Pei-Ming Zheng	2012/09/19	product family	PwrBlade				
	title	10P + 44S + 10P VERTICAL PRESS FIT RECEPT		dwg no	51750-119		rev	A
www.fci.com	cat. no.	-	Product - Customer Drw		sheet 3 of 4			



1

2

3

4

PRODUCT NUMBER

51750-119__
NOTE: 3

NOTES:

1. DIMENSIONS AND TOLERANCES ARE IN ACCORDANCE WITH ASME Y14.5M, 1994 UNLESS OTHERWISE SPECIFIED.

CONNECTOR NOTES:

2 HOUSING MATERIAL: UL 94 V-0 GLASS FILLED HIGH-TEMP THERMOPLASTIC
POWER CONTACT MATERIAL: COPPER ALLOY
SIGNAL PIN MATERIAL: COPPER ALLOY

3. SEE ITEM 7 & 8 IN PRINT 10064183 FOR PLATING SPEC OF 51750-119 AND 51750-119LF RESPECTIVELY.

4 MANUFACTURER'S NAME, DATE CODE AND OPTIONAL P/N TO APPEAR ON THIS SURFACE. THE P/N CAN BE OMITTED IF THERE IS NOT ENOUGH SPACE ON THIS SURFACE.

5. PRODUCT SPECIFICATION GS-12-149.
APPLICATION SPECIFICATION BUS-20-067.

6. PACKAGED IN TRAYS.

PCB NOTES:

7. ALL HOLE DIAMETERS ARE FINISHED HOLE SIZE.

8 MOUNTING HOLES, WHERE APPLICABLE, ARE UNPLATED.

9 $\varnothing 1.151 \pm 0.025$ DRILLED HOLES PLATED WITH
0.008 MIN SnPb OR Sn OVER 0.03
TO 0.08 Cu PLATING TO ACHIEVE
 $\varnothing 1.02 \pm 0.07$ HOLE.

10 "DIM XXX" TO BE DETERMINED BY THE CUSTOMER.

11 CONNECTOR KEEP-OUT ZONE.

12. THE VOID CORING IN BETWEEN POWER MODULES, SIGNAL MODULES AND END MODULES ARE OPTIONAL AND THE SHAPE MAY BE DIFFERENT FOR OPTIMIZE THE MOLDING PROCESS. THE VOID CORING WILL NOT EFFECT TO PRODUCT FUNCTION.



C

Copyright FCI.

D

dr	Guang, Shi	2012/02/28	projection 	MM 	size	A4	scale	1:1	
eng	Luo Weller	2012/09/19			ecn no	-			
chr	-	-			product family	PwrBlade	rel level	Released	
appr	Pei-Ming Zheng	2012/09/19			title	10P + 44S + 10P		rev	A
www.fci.com			cat. no.	-	Product - Customer Drw	sheet 4 of 4			
			dwg no	51750-119					

2

3