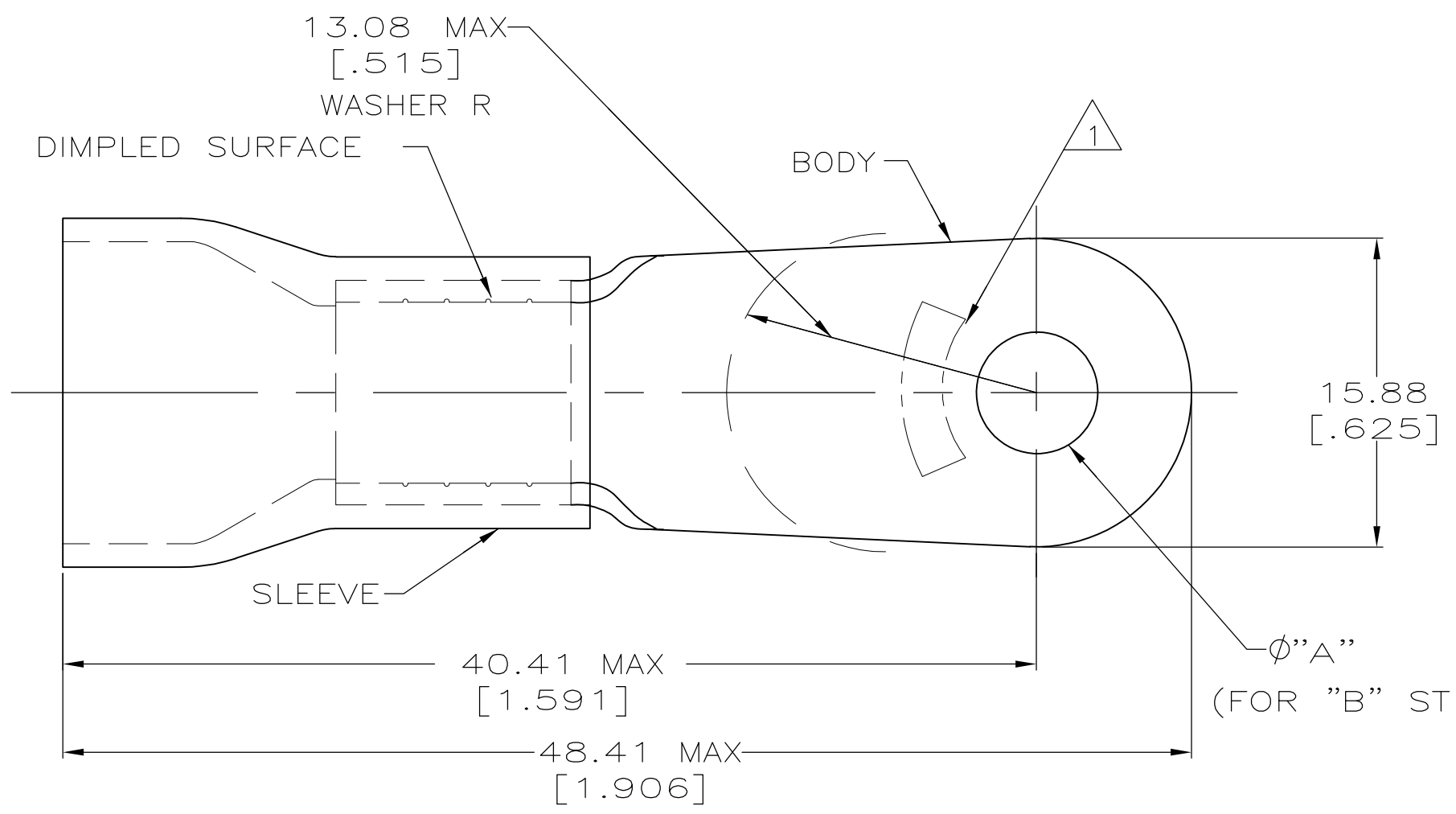


THIS DRAWING IS UNPUBLISHED. RELEASED FOR PUBLICATION
 © COPYRIGHT - By - ALL RIGHTS RESERVED.

LOC	DIST	REVISIONS					
G	14	P	LTR	DESCRIPTION	DATE	DWN	APVD
			T4	REVISED PER ECO-12-009435	23MAY12	KH	DR



AMP WIRE RANGE	RU FILE E13288	SR LR7189 Certified
6 AWG STRANDED	6 AWG STRANDED	6 AWG STRANDED

- 1 STAMP AMP 6* LOCATE APPROX AS SHOWN
- 2 TONGUE MATERIAL THK 1.14±0.08[.045±.003]
- 3 SEE TABLE FOR WIRE INSULATION DIA MAX
- 4 FOREIGN PRODUCTION ONLY
- 5 TAPE ITEMS ARE ON 30.48[1.200] CENTERS
- 6 OBSOLETE PARTS
- 7 NOTE DELETED

WIRE INSULATION DIA	"B"	"A"	QTY	PACKAGE TYPE	PART NO
11.43 [.450]	3/8	9.91±0.13 [.390±.005]	20	LOOSE PC, BOX SPL	6-9-52264-5
	5/16	8.33±0.13 [.328±.005]			6-8-52264-5
	3/8	9.91±0.13 [.390±.005]	500	ON TAPE	52264-5
	5/16	8.33±0.13 [.328±.005]			52264-4
9.14 [.360]	3/8	9.91±0.13 [.390±.005]	-	LOOSE PC	6-52264-3 4
	5/16	8.33±0.13 [.328±.005]			6-52264-2 4
11.43 [.450]	3/8	9.91±0.13 [.390±.005]	100		52264-1
	5/16	8.33±0.13 [.328±.005]			52264

AMP INCORPORATED CUSTOMER SERVICE SYSTEMS		MAX RECOMMENDED OPERATING TEMPERATURE: 105° C
FOR ADDITIONAL PRODUCT INFORMATION OR COPIES OF DRAWINGS AND TECHNICAL DOCUMENTS	PRODUCT INFORMATION CENTER 1-800-522-6752	VOLTAGE RATING: 600 V MAX
FOR APPLICATION TOOLING INFORMATION	TOOLING ASSISTANCE CENTER 1-800-722-1111	CIRCULAR MIL AREA: 10.54-16.77mm²[20,800-33,100] STANDARD
FOR ORDER ENTRY	1-800-526-5142	

THIS DRAWING IS A CONTROLLED DOCUMENT.	
DIMENSIONS: mm [INCHES]	TOLERANCES UNLESS OTHERWISE SPECIFIED:
	0 PLC ± -
	1 PLC ± -
	2 PLC ± 0.20[.008]
	3 PLC ± -
	4 PLC ± -
	ANGLES ± -
MATERIAL COPPER PER ASTM B-152 PVC, COLOR: BLUE	FINISH TIN PLATE PER ASTM-B545

DWN S.S. GOULDEN 9-29-93	STE TE Connectivity		
CHK R. HERSEY 9-29-93			
APVD B.BARE 9-29-93	NAME TERMINAL, RING TONGUE, PLASTI-GRIP, TM WIRE SIZE, 6 AWG		
PRODUCT SPEC NOT AVAILABLE	SIZE	CAGE CODE	DRAWING NO
APPLICATION SPEC 114-2161	A3	00779	C-52264
WEIGHT -	RESTRICTED TO -		SCALE 4:1
CUSTOMER DRAWING	SHEET 1 OF 1		REV T4