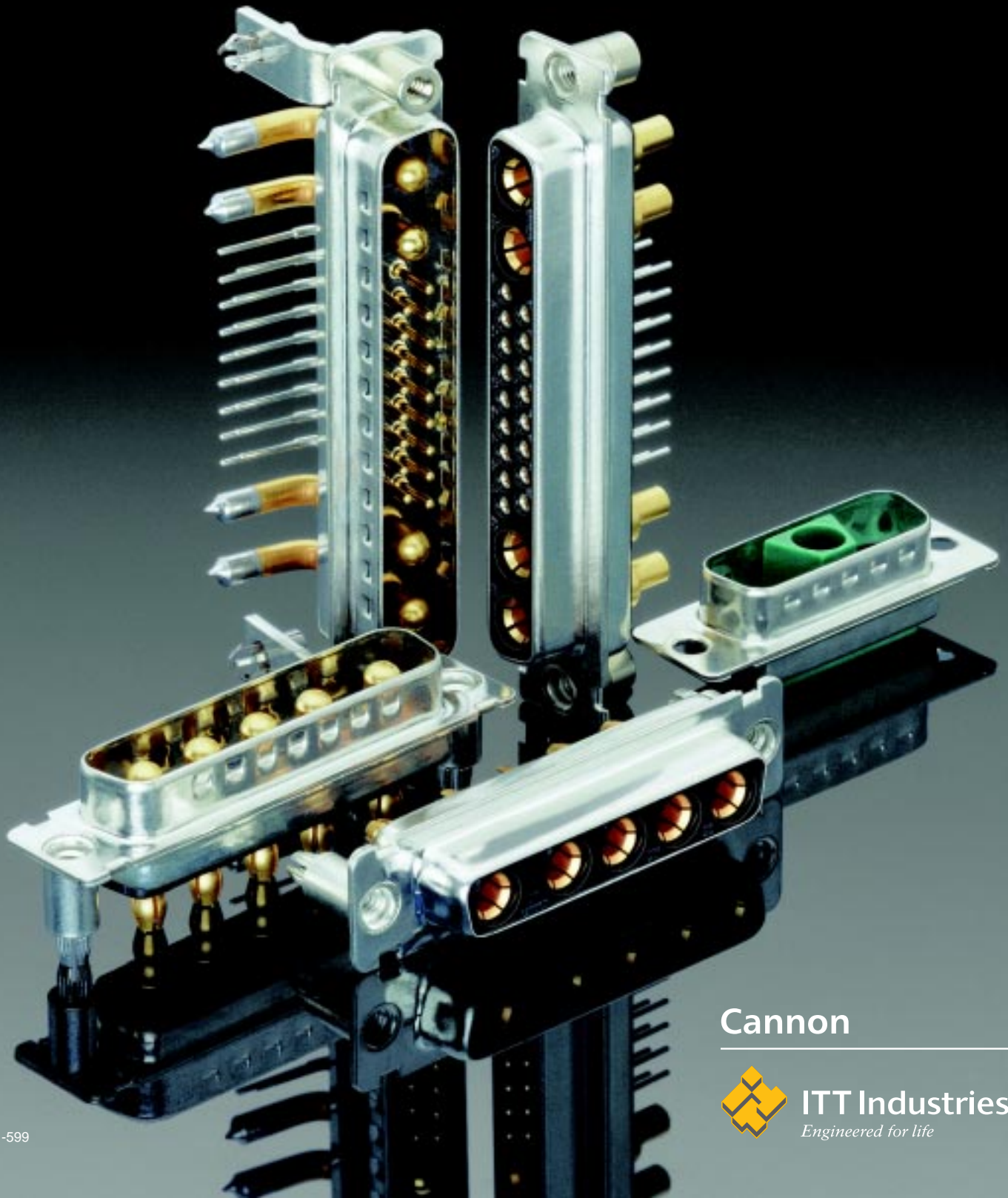




COMBO D[®]

C O N N E C T O R S



CD1-599

Cannon



ITT Industries
Engineered for life

Contents

| | |
|---|----|
| Combo D* Introduction | 3 |
| Combo D* PCB Connectors with Coaxial Contacts | |
| – 90°, European footprint (sizes DE – DC), with metal bracket | 4 |
| – 90°, European footprint (sizes DE – DC), with plastic bracket | 6 |
| – 90°, European footprint (sizes DE – DC), with plastic bracket and grounding bracket | 8 |
| – Straight, European solder pins (sizes DE – DC) | 10 |
| – Straight, European solder pins (size DD) | 12 |
| Combo D* PCB Connectors with High Power Contacts 40 A | |
| – 90°, European footprint (sizes DE – DC), with metal bracket | 14 |
| – 90°, European footprint (size DD), with metal bracket | 16 |
| – 90°, European footprint (sizes DE – DC), with plastic bracket | 18 |
| – 90°, European footprint (size DD), with plastic bracket | 20 |
| – 90°, European footprint (sizes DE – DC), with plastic bracket and grounding bracket | 22 |
| – 90°, European footprint (size DD), with plastic bracket and grounding bracket | 24 |
| – Straight, European solder pins (sizes DE – DC) | 26 |
| – Straight, European solder pins (size DD) | 28 |
| – Straight, with Pressfit termination (size DA – DC) | 30 |
| Combo D* Connectors with empty Contact Cavities Size 8 | |
| – 90°, European footprint (sizes DE – DC) | 32 |
| – Straight, European solder pins (sizes DE – DC) | 34 |
| – Solder cup (sizes DE – DD) | 36 |
| – Crimp connectors, without contacts (sizes DA – DD) | 40 |
| – Crimp contacts size 20 | 42 |
| – – Loose contacts size 8 | 44 |
| Contact Arrangements | 52 |
| PCB Holes Pattern | 54 |
| Mounting Methods | 86 |
| Tooling | 88 |
| Product Safety Information | 91 |

Combo D* Subminiature connectors offer the advantages of an industry standard shield I/O interconnect, with the flexibility of a customized special, designed for any application.

This connector system is ideal for applications that require optimization of space while improving overall shielding. Combo D* accomplishes this by combining multiple interconnection types into one fully shielded product, decreasing the number of I/O interfaces and reducing the possibility of EMI/RFI leakage.

By continually investing in engineering and manufacturing technology, Cannon has improved the performance and features of this popular product. This catalogue contains our latest efforts to meet the global requirements of the commercial electronics industry with a flexible, reliable and cost effective connector solution.

Applications

- Video Coaxial Transmissions (75 Ω)
- RF- and Telecom Transmissions (50 Ω)
- Power Interconnects (up to 40 A)

Features

- European Footprints
- Preinstalled 75/50 Ω Coaxial or High Power contacts (One Part Number only)
- Vertical Standoffs and 90° Brackets
- Straight and 90° Solder Pins
- For PC Boards up to 3,2 mm thickness
- PC Boards Variants with Pushfit or Post (M3 or 4-40)



Technical Data

| | | | |
|---------------------|------------------------|-------------------------------|--|
| Temperature | -55/125° C | | |
| Signal contacts | Current rating | 7,5 A | |
| | Contact resistance | 55 mV / 7,5 A test current | |
| | DWV | 1250 VAC / sea level | |
| Coaxial contacts | Current rating | 5 A | |
| | DWV | 1000 VAC / sea level | |
| | Impedance | 75 or 50 Ω | |
| | VSWR | > 1,3 + 0,03 F (F to 500 MHz) | |
| | Coaxial insertion loss | 0,3 dB / 500 MHz | |
| High Power contacts | Current rating | to 40 A | |
| | DWV | 1000 VAC / sea level | |
| HV contacts | Current rating | 5 A | |
| | DWV | 2800 V / sea level | |

Material and Finishes

| | |
|-----------------|--|
| Shell | Steel, tinned |
| Insulator | Thermoplast, black, UL94V-0 |
| Pin contacts | Copper alloy, gold over nickel |
| Socket contacts | Copper alloy, gold over nickel, tin on balance |
| Standoff | German silver |
| Metal bracket | Steel |
| Clinch nut | German silver |
| Pushfit | German silver / steel (please consult factory) |

Coaxial, High Power and HV contacts:

| | |
|-----------------------|--------------------------------|
| Contact | Copper alloy, gold over nickel |
| Retaining ring | Copper alloy, nickel |
| Insulator (coax only) | Teflon |
| Insulator (HV only) | Thermoplast |

Coaxial 90° – European footprint, sizes DE – DC, with metal bracket

75 Ohm part numbers with metal bracket and captive nut M3

75 Ohm part numbers with metal bracket with bushing dia. 3,05

75 Ohm part numbers with metal bracket with post M3

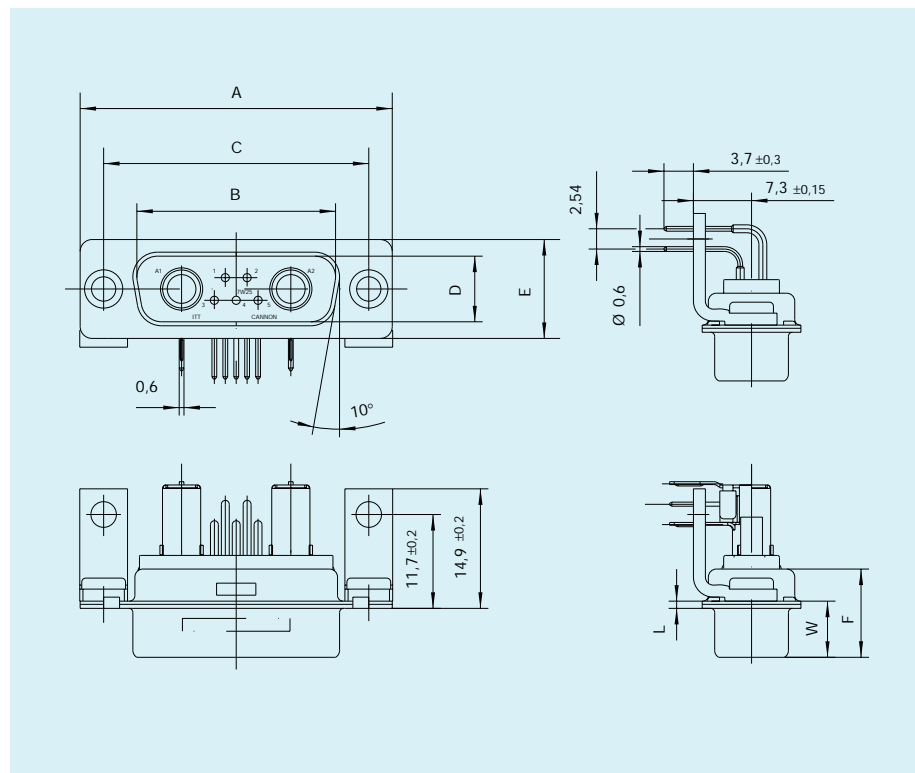
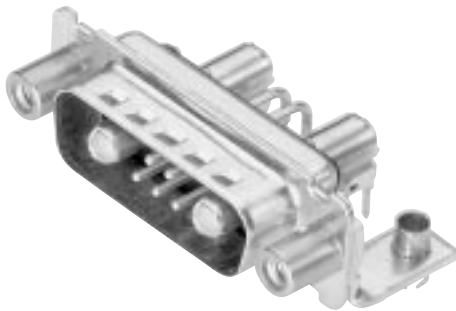
| Shell size | Layout | P/N without pushfit | P/N with pushfit | P/N without pushfit | P/N with pushfit | P/N without pushfit | P/N with pushfit |
|------------|--------|--------------------------|------------------------------|--------------------------|------------------------------|--------------------------|------------------------------|
| DE | 5W1 | DEM-5C1P-1A9N-A191-K87 | DEM-5C1P-1A9N-A191-K87-146 | DEM-5C1P-1AFN-A191-K87 | DEM-5C1P-1AFN-A191-K87-146 | DEM-5C1P-1AHN-A191-K87 | DEM-5C1P-1AHN-A191-K87-146 |
| DA | 7W2 | DAM-7C2P-1A9N-A191-K87 | DAM-7C2P-1A9N-A191-K87-146 | DAM-7C2P-1AFN-A191-K87 | DAM-7C2P-1AFN-A191-K87-146 | DAM-7C2P-1AHN-A191-K87 | DAM-7C2P-1AHN-A191-K87-146 |
| DA | 11W1 | DAM-11C1P-1A9N-A191-K87 | DAM-11C1P-1A9N-A191-K87-146 | DAM-11C1P-1AFN-A191-K87 | DAM-11C1P-1AFN-A191-K87-146 | DAM-11C1P-1AHN-A191-K87 | DAM-11C1P-1AHN-A191-K87-146 |
| DA | 3W3 | DAM-3C3P-1A9N-A191-K87 | DAM-3C3P-1A9N-A191-K87-146 | DAM-3C3P-1AFN-A191-K87 | DAM-3C3P-1AFN-A191-K87-146 | DAM-3C3P-1AHN-A191-K87 | DAM-3C3P-1AHN-A191-K87-146 |
| DA | 3WK3 | DAM-3CK3P-1A9N-A191-K87 | DAM-3CK3P-1A9N-A191-K87-146 | DAM-3CK3P-1AFN-A191-K87 | DAM-3CK3P-1AFN-A191-K87-146 | DAM-3CK3P-1AHN-A191-K87 | DAM-3CK3P-1AHN-A191-K87-146 |
| DB | 5W5 | DBM-5C5P-1A9N-A191-K87 | DBM-5C5P-1A9N-A191-K87-146 | DBM-5C5P-1AFN-A191-K87 | DBM-5C5P-1AFN-A191-K87-146 | DBM-5C5P-1AHN-A191-K87 | DBM-5C5P-1AHN-A191-K87-146 |
| DB | 9W4 | DBM-9C4P-1A9N-A191-K87 | DBM-9C4P-1A9N-A191-K87-146 | DBM-9C4P-1AFN-A191-K87 | DBM-9C4P-1AFN-A191-K87-146 | DBM-9C4P-1AHN-A191-K87 | DBM-9C4P-1AHN-A191-K87-146 |
| DB | 13W3 | DBM-13C3P-1A9N-A191-K87 | DBM-13C3P-1A9N-A191-K87-146 | DBM-13C3P-1AFN-A191-K87 | DBM-13C3P-1AFN-A191-K87-146 | DBM-13C3P-1AHN-A191-K87 | DBM-13C3P-1AHN-A191-K87-146 |
| DB | 17W2 | DBM-17C2P-1A9N-A191-K87 | DBM-17C2P-1A9N-A191-K87-146 | DBM-17C2P-1AFN-A191-K87 | DBM-17C2P-1AFN-A191-K87-146 | DBM-17C2P-1AHN-A191-K87 | DBM-17C2P-1AHN-A191-K87-146 |
| DB | 21W1 | DBM-21C1P-1A9N-A191-K87 | DBM-21C1P-1A9N-A191-K87-146 | DBM-21C1P-1AFN-A191-K87 | DBM-21C1P-1AFN-A191-K87-146 | DBM-21C1P-1AHN-A191-K87 | DBM-21C1P-1AHN-A191-K87-146 |
| DC | 8W8 | DCM-8C8P-1A9N-A191-K87 | DCM-8C8P-1A9N-A191-K87-146 | DCM-8C8P-1AFN-A191-K87 | DCM-8C8P-1AFN-A191-K87-146 | DCM-8C8P-1AHN-A191-K87 | DCM-8C8P-1AHN-A191-K87-146 |
| DC | 13W6 | DCM-13C6P-1A9N-A191-K87 | DCM-13C6P-1A9N-A191-K87-146 | DCM-13C6P-1AFN-A191-K87 | DCM-13C6P-1AFN-A191-K87-146 | DCM-13C6P-1AHN-A191-K87 | DCM-13C6P-1AHN-A191-K87-146 |
| DC | 17W5 | DCM-17C5P-1A9N-A191-K87 | DCM-17C5P-1A9N-A191-K87-146 | DCM-17C5P-1AFN-A191-K87 | DCM-17C5P-1AFN-A191-K87-146 | DCM-17C5P-1AHN-A191-K87 | DCM-17C5P-1AHN-A191-K87-146 |
| DC | 21WA4 | DCM-21CA4P-1A9N-A191-K87 | DCM-21CA4P-1A9N-A191-K87-146 | DCM-21CA4P-1AFN-A191-K87 | DCM-21CA4P-1AFN-A191-K87-146 | DCM-21CA4P-1AHN-A191-K87 | DCM-21CA4P-1AHN-A191-K87-146 |
| DC | 25W3 | DCM-25C3P-1A9N-A191-K87 | DCM-25C3P-1A9N-A191-K87-146 | DCM-25C3P-1AFN-A191-K87 | DCM-25C3P-1AFN-A191-K87-146 | DCM-25C3P-1AHN-A191-K87 | DCM-25C3P-1AHN-A191-K87-146 |
| DC | 27W2 | DCM-27C2P-1A9N-A191-K87 | DCM-27C2P-1A9N-A191-K87-146 | DCM-27C2P-1AFN-A191-K87 | DCM-27C2P-1AFN-A191-K87-146 | DCM-27C2P-1AHN-A191-K87 | DCM-27C2P-1AHN-A191-K87-146 |

For performance class 1 replace A191 with A190.
For performance class 3 delete A191.

For 50 ohm coaxial replace C with X, Example:
DCM-13C6P-1AFN-A191-K87-146 becomes
DCM-13X6P-1AFN-A191-K87-146.

For pushfit 90° pcb hole diameter 3,2 mm replace 146 with 162. For captive nut 4-40UNC replace 1A9N with 1A7N and 1AHN with 1A8N.

Pin



- For contact cavity arrangements, see page 52.
- For pcb hole pattern, see page 54 – 56.
- For mounting methods, see page 86 – 87.
- For panel cut-outs, see our D Subminiature catalogue.
- For contact arrangements in shell size DD please refer to our D Subminiature catalogue.

Dimensions

| Shell size | A ± 0,38 | B ± 0,13 | C ± 0,13 | D ± 0,13 | E ± 0,13 | F ± 0,25 | L + 0,2 | W ± 0,4 |
|------------|----------|----------|----------|----------|----------|----------|---------|---------|
| DE | 30,8 | 16,9 | 25 | 8,35 | 12,55 | 10,7 | 0,8 | 6,7 |
| DA | 39,15 | 25,25 | 33,3 | 8,35 | 12,55 | 10,7 | 0,8 | 6,7 |
| DB | 53,05 | 38,95 | 47,05 | 8,35 | 12,55 | 10,8 | 0,9 | 6,8 |
| DC | 69,3 | 55,4 | 63,5 | 8,35 | 12,55 | 10,8 | 0,9 | 6,8 |

Coaxial 90° – European footprint, sizes DE – DC, with metal bracket

75 Ohm part numbers with metal bracket and captive nut M3

75 Ohm part numbers with metal bracket with bushing dia. 3,05

75 Ohm part numbers with metal bracket with post M3

| Shell Layout size | P/N without pushfit | P/N with pushfit | P/N without pushfit | P/N with pushfit | P/N without pushfit | P/N with pushfit |
|-------------------|---------------------------|-------------------------------|---------------------------|-------------------------------|---------------------------|-------------------------------|
| DE 5W1 | DEM-5C1S-1A9N-A191-A197 | DEM-5C1S-1A9N-A191-A197-146 | DEM-5C1S-1AFN-A191-A197 | DEM-5C1S-1AFN-A191-A197-146 | DEM-5C1S-1AHN-A191-A197 | DEM-5C1S-1AHN-A191-A197-146 |
| DA 7W2 | DAM-7C2S-1A9N-A191-A197 | DAM-7C2S-1A9N-A191-A197-146 | DAM-7C2S-1AFN-A191-A197 | DAM-7C2S-1AFN-A191-A197-146 | DAM-7C2S-1AHN-A191-A197 | DAM-7C2S-1AHN-A191-A197-146 |
| DA 11W1 | DAM-11C1S-1A9N-A191-A197 | DAM-11C1S-1A9N-A191-A197-146 | DAM-11C1S-1AFN-A191-A197 | DAM-11C1S-1AFN-A191-A197-146 | DAM-11C1S-1AHN-A191-A197 | DAM-11C1S-1AHN-A191-A197-146 |
| DA 3W3 | DAM-3C3S-1A9N-A191-A197 | DAM-3C3S-1A9N-A191-A197-146 | DAM-3C3S-1AFN-A191-A197 | DAM-3C3S-1AFN-A191-A197-146 | DAM-3C3S-1AHN-A191-A197 | DAM-3C3S-1AHN-A191-A197-146 |
| DA 3WK3 | DAM-3CK3S-1A9N-A191-A197 | DAM-3CK3S-1A9N-A191-A197-146 | DAM-3CK3S-1AFN-A191-A197 | DAM-3CK3S-1AFN-A191-A197-146 | DAM-3CK3S-1AHN-A191-A197 | DAM-3CK3S-1AHN-A191-A197-146 |
| DB 5W5 | DBM-5C5S-1A9N-A191-A197 | DBM-5C5S-1A9N-A191-A197-146 | DBM-5C5S-1AFN-A191-A197 | DBM-5C5S-1AFN-A191-A197-146 | DBM-5C5S-1AHN-A191-A197 | DBM-5C5S-1AHN-A191-A197-146 |
| DB 9W4 | DBM-9C4S-1A9N-A191-A197 | DBM-9C4S-1A9N-A191-A197-146 | DBM-9C4S-1AFN-A191-A197 | DBM-9C4S-1AFN-A191-A197-146 | DBM-9C4S-1AHN-A191-A197 | DBM-9C4S-1AHN-A191-A197-146 |
| DB 13W3 | DBM-13C3S-1A9N-A191-A197 | DBM-13C3S-1A9N-A191-A197-146 | DBM-13C3S-1AFN-A191-A197 | DBM-13C3S-1AFN-A191-A197-146 | DBM-13C3S-1AHN-A191-A197 | DBM-13C3S-1AHN-A191-A197-146 |
| DB 17W2 | DBM-17C2S-1A9N-A191-A197 | DBM-17C2S-1A9N-A191-A197-146 | DBM-17C2S-1AFN-A191-A197 | DBM-17C2S-1AFN-A191-A197-146 | DBM-17C2S-1AHN-A191-A197 | DBM-17C2S-1AHN-A191-A197-146 |
| DB 21W1 | DBM-21C1S-1A9N-A191-A197 | DBM-21C1S-1A9N-A191-A197-146 | DBM-21C1S-1AFN-A191-A197 | DBM-21C1S-1AFN-A191-A197-146 | DBM-21C1S-1AHN-A191-A197 | DBM-21C1S-1AHN-A191-A197-146 |
| DC 8W8 | DCM-8C8S-1A9N-A191-A197 | DCM-8C8S-1A9N-A191-A197-146 | DCM-8C8S-1AFN-A191-A197 | DCM-8C8S-1AFN-A191-A197-146 | DCM-8C8S-1AHN-A191-A197 | DCM-8C8S-1AHN-A191-A197-146 |
| DC 13W6 | DCM-13C6S-1A9N-A191-A197 | DCM-13C6S-1A9N-A191-A197-146 | DCM-13C6S-1AFN-A191-A197 | DCM-13C6S-1AFN-A191-A197-146 | DCM-13C6S-1AHN-A191-A197 | DCM-13C6S-1AHN-A191-A197-146 |
| DC 17W5 | DCM-17C5S-1A9N-A191-A197 | DCM-17C5S-1A9N-A191-A197-146 | DCM-17C5S-1AFN-A191-A197 | DCM-17C5S-1AFN-A191-A197-146 | DCM-17C5S-1AHN-A191-A197 | DCM-17C5S-1AHN-A191-A197-146 |
| DC 21WA4 | DCM-21CA4S-1A9N-A191-A197 | DCM-21CA4S-1A9N-A191-A197-146 | DCM-21CA4S-1AFN-A191-A197 | DCM-21CA4S-1AFN-A191-A197-146 | DCM-21CA4S-1AHN-A191-A197 | DCM-21CA4S-1AHN-A191-A197-146 |
| DC 25W3 | DCM-25C3S-1A9N-A191-A197 | DCM-25C3S-1A9N-A191-A197-146 | DCM-25C3S-1AFN-A191-A197 | DCM-25C3S-1AFN-A191-A197-146 | DCM-25C3S-1AHN-A191-A197 | DCM-25C3S-1AHN-A191-A197-146 |
| DC 27W2 | DCM-27C2S-1A9N-A191-A197 | DCM-27C2S-1A9N-A191-A197-146 | DCM-27C2S-1AFN-A191-A197 | DCM-27C2S-1AFN-A191-A197-146 | DCM-27C2S-1AHN-A191-A197 | DCM-27C2S-1AHN-A191-A197-146 |

For performance class 1 replace A191 with A190.
For performance class 3 delete A191.

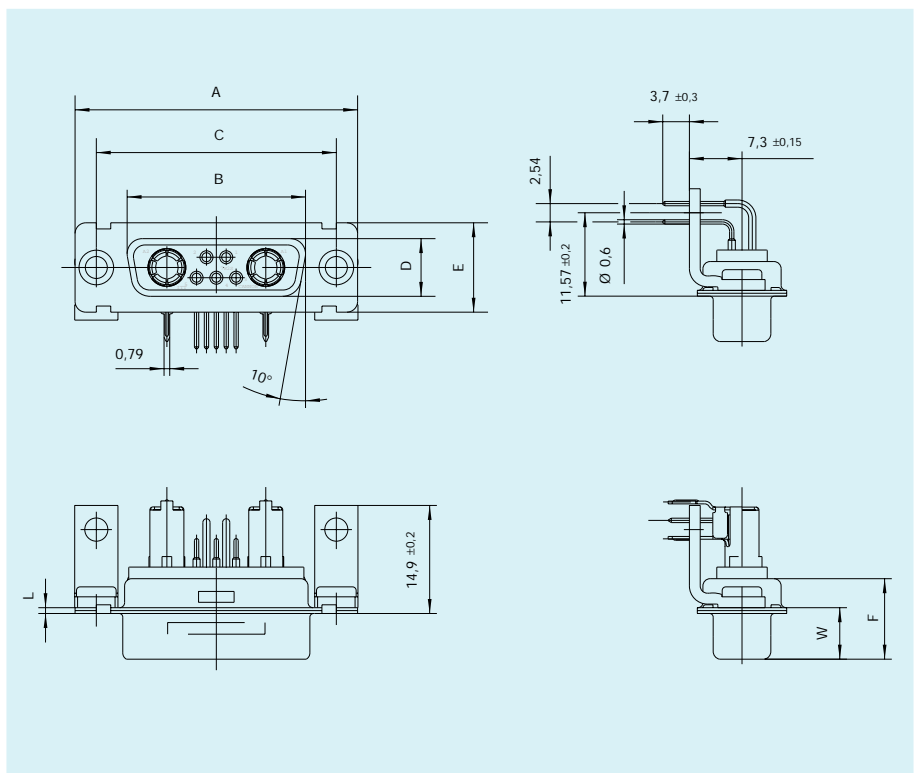
For 50 ohm coaxial replace C with X, Example:
DCM-13C6P-1AFN-A191-K87-146 becomes
DCM-13X6P-1AFN-A191-K87-146.

For pushfit 90° pcb hole diameter 3,2 mm replace 146 with 162. For captive nut 4-40UNC replace 1A9N with 1A7N and 1AHN with 1A8N.

Socket



- For contact cavity arrangements, see page 53.
- For pcb hole pattern, see page 57 – 59.
- For mounting methods, see page 86 – 87.
- For panel cut-outs, see our D Subminiature catalogue.
- For contact arrangements in shell size DD please refer to our D Subminiature catalogue.



Dimensions

| Shell size | A ±0,38 | B ±0,13 | C ±0,13 | D ±0,13 | E ±0,13 | F ±0,25 | L +0,2 | W ±0,4 |
|------------|---------|---------|---------|---------|---------|---------|--------|--------|
| DE | 30,8 | 16,35 | 25 | 7,9 | 12,55 | 10,9 | 0,8 | 6,95 |
| DA | 39,15 | 24,65 | 33,3 | 7,9 | 12,55 | 10,9 | 0,8 | 6,95 |
| DB | 53,05 | 38,4 | 47,05 | 7,9 | 12,55 | 10,9 | 0,8 | 6,95 |
| DC | 69,3 | 54,85 | 63,5 | 7,9 | 12,55 | 10,9 | 0,8 | 6,95 |

Coaxial 90° – European footprint, sizes DE – DC, with plastic bracket

75 Ohm part numbers with plastic bracket and captive nut M3

75 Ohm part numbers with plastic bracket with bushing dia. 3,05

75 Ohm part numbers with plastic bracket with post M3

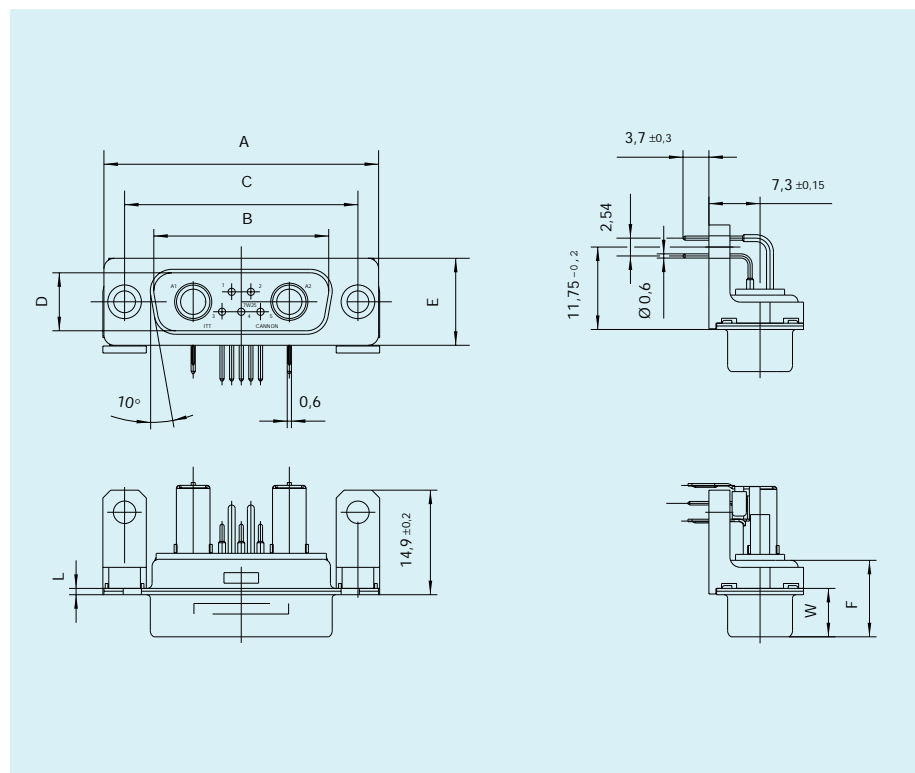
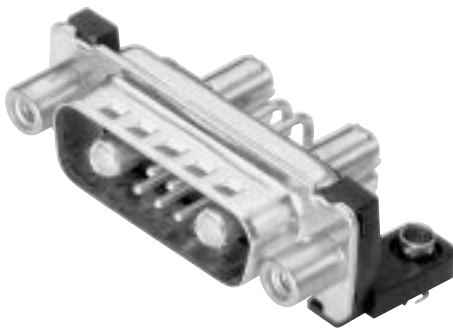
| Shell size | Layout | P/N without pushfit | P/N with pushfit | P/N without pushfit | P/N with pushfit | P/N without pushfit | P/N with pushfit |
|------------|--------|--------------------------|------------------------------|--------------------------|------------------------------|--------------------------|------------------------------|
| DE | 5W1 | DEM-5C1P-1ATN-A191-K87 | DEM-5C1P-1ATN-A191-K87-146 | DEM-5C1P-1A5N-A191-K87 | DEM-5C1P-1A5N-A191-K87-146 | DEM-5C1P-1APN-A191-K87 | DEM-5C1P-1APN-A191-K87-146 |
| DA | 7W2 | DAM-7C2P-1ATN-A191-K87 | DAM-7C2P-1ATN-A191-K87-146 | DAM-7C2P-1A5N-A191-K87 | DAM-7C2P-1A5N-A191-K87-146 | DAM-7C2P-1APN-A191-K87 | DAM-7C2P-1APN-A191-K87-146 |
| DA | 11W1 | DAM-11C1P-1ATN-A191-K87 | DAM-11C1P-1ATN-A191-K87-146 | DAM-11C1P-1A5N-A191-K87 | DAM-11C1P-1A5N-A191-K87-146 | DAM-11C1P-1APN-A191-K87 | DAM-11C1P-1APN-A191-K87-146 |
| DA | 3W3 | DAM-3C3P-1ATN-A191-K87 | DAM-3C3P-1ATN-A191-K87-146 | DAM-3C3P-1A5N-A191-K87 | DAM-3C3P-1A5N-A191-K87-146 | DAM-3C3P-1APN-A191-K87 | DAM-3C3P-1APN-A191-K87-146 |
| DA | 3WK3 | DAM-3CK3P-1ATN-A191-K87 | DAM-3CK3P-1ATN-A191-K87-146 | DAM-3CK3P-1A5N-A191-K87 | DAM-3CK3P-1A5N-A191-K87-146 | DAM-3CK3P-1APN-A191-K87 | DAM-3CK3P-1APN-A191-K87-146 |
| DB | 5W5 | DBM-5C5P-1ATN-A191-K87 | DBM-5C5P-1ATN-A191-K87-146 | DBM-5C5P-1A5N-A191-K87 | DBM-5C5P-1A5N-A191-K87-146 | DBM-5C5P-1APN-A191-K87 | DBM-5C5P-1APN-A191-K87-146 |
| DB | 9W4 | DBM-9C4P-1ATN-A191-K87 | DBM-9C4P-1ATN-A191-K87-146 | DBM-9C4P-1A5N-A191-K87 | DBM-9C4P-1A5N-A191-K87-146 | DBM-9C4P-1APN-A191-K87 | DBM-9C4P-1APN-A191-K87-146 |
| DB | 13W3 | DBM-13C3P-1ATN-A191-K87 | DBM-13C3P-1ATN-A191-K87-146 | DBM-13C3P-1A5N-A191-K87 | DBM-13C3P-1A5N-A191-K87-146 | DBM-13C3P-1APN-A191-K87 | DBM-13C3P-1APN-A191-K87-146 |
| DB | 17W2 | DBM-17C2P-1ATN-A191-K87 | DBM-17C2P-1ATN-A191-K87-146 | DBM-17C2P-1A5N-A191-K87 | DBM-17C2P-1A5N-A191-K87-146 | DBM-17C2P-1APN-A191-K87 | DBM-17C2P-1APN-A191-K87-146 |
| DB | 21W1 | DBM-21C1P-1ATN-A191-K87 | DBM-21C1P-1ATN-A191-K87-146 | DBM-21C1P-1A5N-A191-K87 | DBM-21C1P-1A5N-A191-K87-146 | DBM-21C1P-1APN-A191-K87 | DBM-21C1P-1APN-A191-K87-146 |
| DC | 8W8 | DCM-8C8P-1ATN-A191-K87 | DCM-8C8P-1ATN-A191-K87-146 | DCM-8C8P-1A5N-A191-K87 | DCM-8C8P-1A5N-A191-K87-146 | DCM-8C8P-1APN-A191-K87 | DCM-8C8P-1APN-A191-K87-146 |
| DC | 13W6 | DCM-13C6P-1ATN-A191-K87 | DCM-13C6P-1ATN-A191-K87-146 | DCM-13C6P-1A5N-A191-K87 | DCM-13C6P-1A5N-A191-K87-146 | DCM-13C6P-1APN-A191-K87 | DCM-13C6P-1APN-A191-K87-146 |
| DC | 17W5 | DCM-17C5P-1ATN-A191-K87 | DCM-17C5P-1ATN-A191-K87-146 | DCM-17C5P-1A5N-A191-K87 | DCM-17C5P-1A5N-A191-K87-146 | DCM-17C5P-1APN-A191-K87 | DCM-17C5P-1APN-A191-K87-146 |
| DC | 21WA4 | DCM-21CA4P-1ATN-A191-K87 | DCM-21CA4P-1ATN-A191-K87-146 | DCM-21CA4P-1A5N-A191-K87 | DCM-21CA4P-1A5N-A191-K87-146 | DCM-21CA4P-1APN-A191-K87 | DCM-21CA4P-1APN-A191-K87-146 |
| DC | 25W3 | DCM-25C3P-1ATN-A191-K87 | DCM-25C3P-1ATN-A191-K87-146 | DCM-25C3P-1A5N-A191-K87 | DCM-25C3P-1A5N-A191-K87-146 | DCM-25C3P-1APN-A191-K87 | DCM-25C3P-1APN-A191-K87-146 |
| DC | 27W2 | DCM-27C2P-1ATN-A191-K87 | DCM-27C2P-1ATN-A191-K87-146 | DCM-27C2P-1A5N-A191-K87 | DCM-27C2P-1A5N-A191-K87-146 | DCM-27C2P-1APN-A191-K87 | DCM-27C2P-1APN-A191-K87-146 |

For performance class 1 replace A191 with A190.
For performance class 3 delete A191.

For 50 ohm coaxial replace C with X, Example:
DCM-13C6P-1AFN-A191-K87-146 becomes
DCM-13X6P-1AFN-A191-K87-146.

For pushfit 90° pcb hole diameter 3,2 mm replace 146 with 162. For captive nut 4-40UNC replace 1A9N with 1A7N and 1AHN with 1A8N.

Pin



- For contact cavity arrangements, see page 52.
- For pcb hole pattern, see page 54 – 56.
- For mounting methods, see page 86 – 87.
- For panel cut-outs, see our D Subminiature catalogue.
- For contact arrangements in shell size DD please refer to our D Subminiature catalogue.

Dimensions

| Shell size | A ± 0,38 | B ± 0,13 | C ± 0,13 | D ± 0,13 | E ± 0,13 | F ± 0,25 | L + 0,2 | W ± 0,4 |
|------------|----------|----------|----------|----------|----------|----------|---------|---------|
| DE | 30,8 | 16,9 | 25 | 8,35 | 12,55 | 10,7 | 0,8 | 6,7 |
| DA | 39,15 | 25,25 | 33,3 | 8,35 | 12,55 | 10,7 | 0,8 | 6,7 |
| DB | 53,05 | 38,95 | 47,05 | 8,35 | 12,55 | 10,8 | 0,9 | 6,8 |
| DC | 69,3 | 55,4 | 63,5 | 8,35 | 12,55 | 10,8 | 0,9 | 6,8 |

Coaxial 90° – European footprint, sizes DE – DC, with plastic bracket

75 Ohm part numbers with plastic bracket and capive nut M3

75 Ohm part numbers with plastic bracket with bushing dia. 3,05

75 Ohm part numbers with plastic bracket with post M3

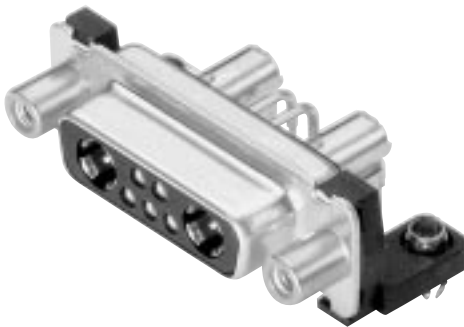
| Shell size | Layout | P/N without pushfit | P/N with pushfit | P/N without pushfit | P/N with pushfit | P/N without pushfit | P/N with pushfit |
|------------|--------|---------------------------|-------------------------------|---------------------------|-------------------------------|---------------------------|-------------------------------|
| DE | 5W1 | DEM-5C1S-1ATN-A191-A197 | DEM-5C1S-1ATN-A191-A197-146 | DEM-5C1S-1A5N-A191-A197 | DEM-5C1S-1A5N-A191-A197-146 | DEM-5C1S-1APN-A191-A197 | DEM-5C1S-1APN-A191-A197-146 |
| DA | 7W2 | DAM-7C2S-1ATN-A191-A197 | DAM-7C2S-1ATN-A191-A197-146 | DAM-7C2S-1A5N-A191-A197 | DAM-7C2S-1A5N-A191-A197-146 | DAM-7C2S-1APN-A191-A197 | DAM-7C2S-1APN-A191-A197-146 |
| DA | 11W1 | DAM-11C1S-1ATN-A191-A197 | DAM-11C1S-1ATN-A191-A197-146 | DAM-11C1S-1A5N-A191-A197 | DAM-11C1S-1A5N-A191-A197-146 | DAM-11C1S-1APN-A191-A197 | DAM-11C1S-1APN-A191-A197-146 |
| DA | 3W3 | DAM-3C3S-1ATN-A191-A197 | DAM-3C3S-1ATN-A191-A197-146 | DAM-3C3S-1A5N-A191-A197 | DAM-3C3S-1A5N-A191-A197-146 | DAM-3C3S-1APN-A191-A197 | DAM-3C3S-1APN-A191-A197-146 |
| DA | 3WK3 | DAM-3CK3S-1ATN-A191-A197 | DAM-3CK3S-1ATN-A191-A197-146 | DAM-3CK3S-1A5N-A191-A197 | DAM-3CK3S-1A5N-A191-A197-146 | DAM-3CK3S-1APN-A191-A197 | DAM-3CK3S-1APN-A191-A197-146 |
| DB | 5W5 | DBM-5C5S-1ATN-A191-A197 | DBM-5C5S-1ATN-A191-A197-146 | DBM-5C5S-1A5N-A191-A197 | DBM-5C5S-1A5N-A191-A197-146 | DBM-5C5S-1APN-A191-A197 | DBM-5C5S-1APN-A191-A197-146 |
| DB | 9W4 | DBM-9C4S-1ATN-A191-A197 | DBM-9C4S-1ATN-A191-A197-146 | DBM-9C4S-1A5N-A191-A197 | DBM-9C4S-1A5N-A191-A197-146 | DBM-9C4S-1APN-A191-A197 | DBM-9C4S-1APN-A191-A197-146 |
| DB | 13W3 | DBM-13C3S-1ATN-A191-A197 | DBM-13C3S-1ATN-A191-A197-146 | DBM-13C3S-1A5N-A191-A197 | DBM-13C3S-1A5N-A191-A197-146 | DBM-13C3S-1APN-A191-A197 | DBM-13C3S-1APN-A191-A197-146 |
| DB | 17W2 | DBM-17C2S-1ATN-A191-A197 | DBM-17C2S-1ATN-A191-A197-146 | DBM-17C2S-1A5N-A191-A197 | DBM-17C2S-1A5N-A191-A197-146 | DBM-17C2S-1APN-A191-A197 | DBM-17C2S-1APN-A191-A197-146 |
| DB | 21W1 | DBM-21C1S-1ATN-A191-A197 | DBM-21C1S-1ATN-A191-A197-146 | DBM-21C1S-1A5N-A191-A197 | DBM-21C1S-1A5N-A191-A197-146 | DBM-21C1S-1APN-A191-A197 | DBM-21C1S-1APN-A191-A197-146 |
| DC | 8W8 | DCM-8C8S-1ATN-A191-A197 | DCM-8C8S-1ATN-A191-A197-146 | DCM-8C8S-1A5N-A191-A197 | DCM-8C8S-1A5N-A191-A197-146 | DCM-8C8S-1APN-A191-A197 | DCM-8C8S-1APN-A191-A197-146 |
| DC | 13W6 | DCM-13C6S-1ATN-A191-A197 | DCM-13C6S-1ATN-A191-A197-146 | DCM-13C6S-1A5N-A191-A197 | DCM-13C6S-1A5N-A191-A197-146 | DCM-13C6S-1APN-A191-A197 | DCM-13C6S-1APN-A191-A197-146 |
| DC | 17W5 | DCM-17C5S-1ATN-A191-A197 | DCM-17C5S-1ATN-A191-A197-146 | DCM-17C5S-1A5N-A191-A197 | DCM-17C5S-1A5N-A191-A197-146 | DCM-17C5S-1APN-A191-A197 | DCM-17C5S-1APN-A191-A197-146 |
| DC | 21WA4 | DCM-21CA4S-1ATN-A191-A197 | DCM-21CA4S-1ATN-A191-A197-146 | DCM-21CA4S-1A5N-A191-A197 | DCM-21CA4S-1A5N-A191-A197-146 | DCM-21CA4S-1APN-A191-A197 | DCM-21CA4S-1APN-A191-A197-146 |
| DC | 25W3 | DCM-25C3S-1ATN-A191-A197 | DCM-25C3S-1ATN-A191-A197-146 | DCM-25C3S-1A5N-A191-A197 | DCM-25C3S-1A5N-A191-A197-146 | DCM-25C3S-1APN-A191-A197 | DCM-25C3S-1APN-A191-A197-146 |
| DC | 27W2 | DCM-27C2S-1ATN-A191-A197 | DCM-27C2S-1ATN-A191-A197-146 | DCM-27C2S-1A5N-A191-A197 | DCM-27C2S-1A5N-A191-A197-146 | DCM-27C2S-1APN-A191-A197 | DCM-27C2S-1APN-A191-A197-146 |

For performance class 1 replace A191 with A190.
For performance class 3 delete A191.

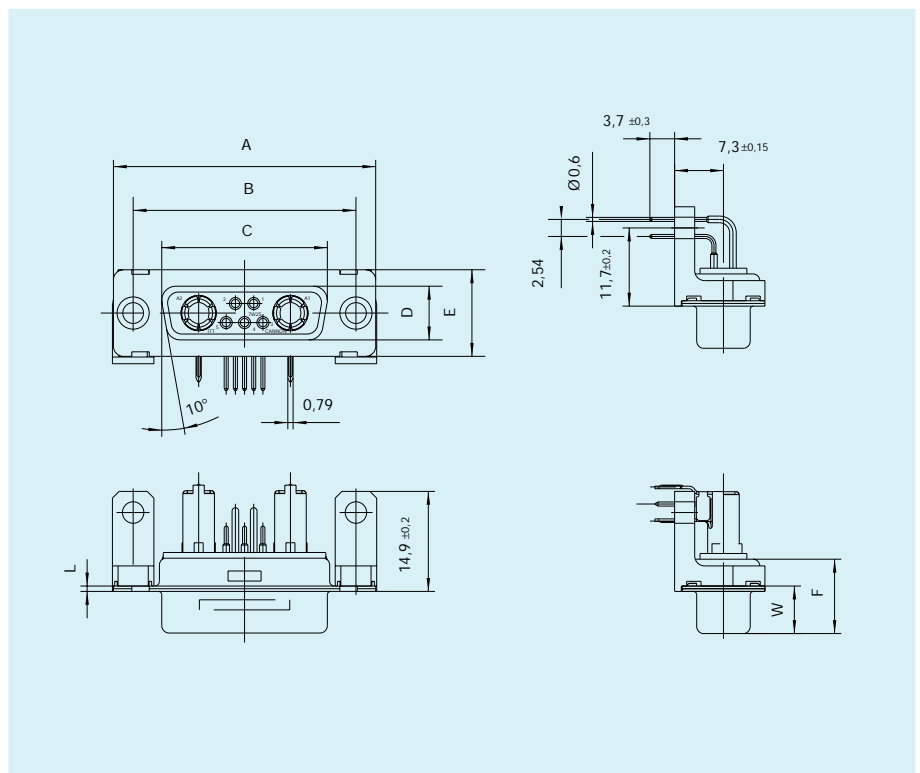
For 50 ohm coaxial replace C with X, Example:
DCM-13C6P-1AFN-A191-K87-146 becomes
DCM-13X6P-1AFN-A191-K87-146.

For pushfit 90° pcb hole diameter 3,2 mm replace 146 with 162. For captive nut 4-40UNC replace 1A9N with 1A7N and 1AHN with 1A8N.

Socket



- For contact cavity arrangements, see page 53.
- For pcb hole pattern, see page 57 – 59.
- For mounting methods, see page 86 – 87.
- For panel cut-outs, see our D Subminiature catalogue.
- For contact arrangements in shell size DD please refer to our D Subminiature catalogue.



Dimensions

| Shell size | A | B | C | D | E | F | L | W |
|------------|-------|-------|-------|-------|-------|-------|------|------|
| | ±0,38 | ±0,13 | ±0,13 | ±0,13 | ±0,13 | ±0,25 | +0,2 | ±0,4 |
| DE | 30,8 | 16,35 | 25 | 7,9 | 12,55 | 10,9 | 0,8 | 6,95 |
| DA | 39,15 | 24,65 | 33,3 | 7,9 | 12,55 | 10,9 | 0,8 | 6,95 |
| DB | 53,05 | 38,4 | 47,05 | 7,9 | 12,55 | 10,9 | 0,8 | 6,95 |
| DC | 69,3 | 54,85 | 63,5 | 7,9 | 12,55 | 10,9 | 0,8 | 6,95 |

Coaxial 90° – European footprint, sizes DE – DC, with plastic bracket and grounding bracket

75 Ohm part numbers with plastic bracket with grounding bracket and captive nut M3

75 Ohm part numbers with plastic bracket with grounding bracket with bushing dia. 3,05

75 Ohm part numbers with plastic bracket with grounding bracket with post M3

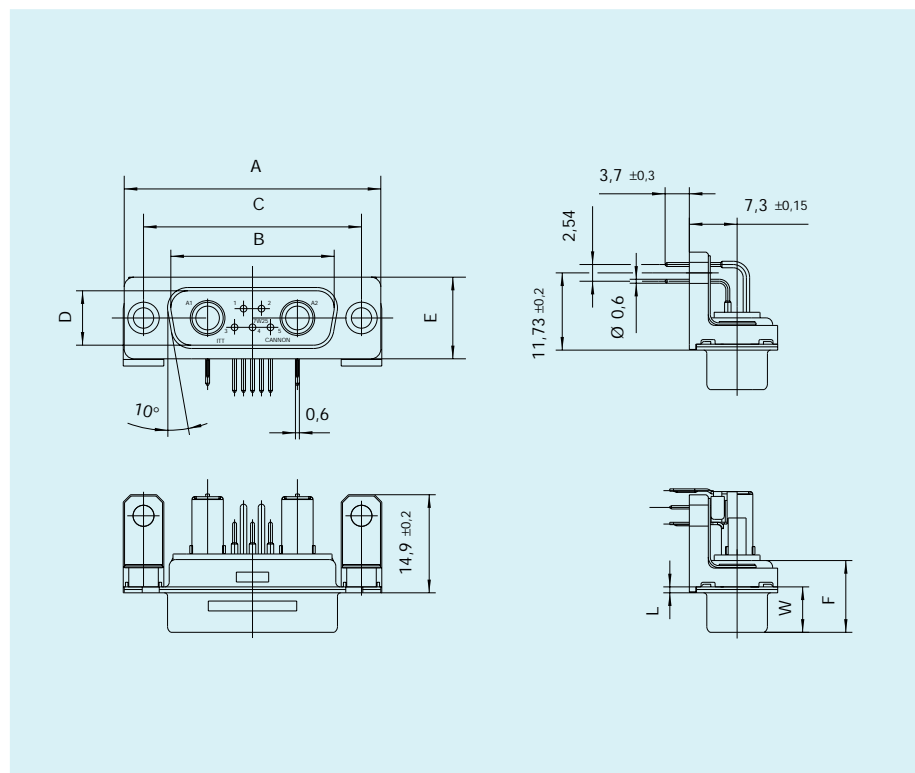
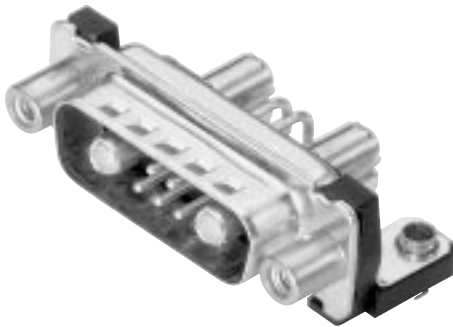
| Shell size | Layout | P/N without pushfit | P/N with pushfit | P/N without pushfit | P/N with pushfit | P/N without pushfit | P/N with pushfit |
|------------|--------|--------------------------|------------------------------|--------------------------|------------------------------|--------------------------|------------------------------|
| DE | 5W1 | DEM-5C1P-1AVN-A191-K87 | DEM-5C1P-1AVN-A191-K87-146 | DEM-5C1P-1ADN-A191-K87 | DEM-5C1P-1ADN-A191-K87-146 | DEM-5C1P-1AGN-A191-K87 | DEM-5C1P-1AGN-A191-K87-146 |
| DA | 7W2 | DAM-7C2P-1AVN-A191-K87 | DAM-7C2P-1AVN-A191-K87-146 | DAM-7C2P-1ADN-A191-K87 | DAM-7C2P-1ADN-A191-K87-146 | DAM-7C2P-1AGN-A191-K87 | DAM-7C2P-1AGN-A191-K87-146 |
| DA | 11W1 | DAM-11C1P-1AVN-A191-K87 | DAM-11C1P-1AVN-A191-K87-146 | DAM-11C1P-1ADN-A191-K87 | DAM-11C1P-1ADN-A191-K87-146 | DAM-11C1P-1AGN-A191-K87 | DAM-11C1P-1AGN-A191-K87-146 |
| DA | 3W3 | DAM-3C3P-1AVN-A191-K87 | DAM-3C3P-1AVN-A191-K87-146 | DAM-3C3P-1ADN-A191-K87 | DAM-3C3P-1ADN-A191-K87-146 | DAM-3C3P-1AGN-A191-K87 | DAM-3C3P-1AGN-A191-K87-146 |
| DA | 3WK3 | DAM-3CK3P-1AVN-A191-K87 | DAM-3CK3P-1AVN-A191-K87-146 | DAM-3CK3P-1ADN-A191-K87 | DAM-3CK3P-1ADN-A191-K87-146 | DAM-3CK3P-1AGN-A191-K87 | DAM-3CK3P-1AGN-A191-K87-146 |
| DB | 5W5 | DBM-5C5P-1AVN-A191-K87 | DBM-5C5P-1AVN-A191-K87-146 | DBM-5C5P-1ADN-A191-K87 | DBM-5C5P-1ADN-A191-K87-146 | DBM-5C5P-1AGN-A191-K87 | DBM-5C5P-1AGN-A191-K87-146 |
| DB | 9W4 | DBM-9C4P-1AVN-A191-K87 | DBM-9C4P-1AVN-A191-K87-146 | DBM-9C4P-1ADN-A191-K87 | DBM-9C4P-1ADN-A191-K87-146 | DBM-9C4P-1AGN-A191-K87 | DBM-9C4P-1AGN-A191-K87-146 |
| DB | 13W3 | DBM-13C3P-1AVN-A191-K87 | DBM-13C3P-1AVN-A191-K87-146 | DBM-13C3P-1ADN-A191-K87 | DBM-13C3P-1ADN-A191-K87-146 | DBM-13C3P-1AGN-A191-K87 | DBM-13C3P-1AGN-A191-K87-146 |
| DB | 17W2 | DBM-17C2P-1AVN-A191-K87 | DBM-17C2P-1AVN-A191-K87-146 | DBM-17C2P-1ADN-A191-K87 | DBM-17C2P-1ADN-A191-K87-146 | DBM-17C2P-1AGN-A191-K87 | DBM-17C2P-1AGN-A191-K87-146 |
| DB | 21W1 | DBM-21C1P-1AVN-A191-K87 | DBM-21C1P-1AVN-A191-K87-146 | DBM-21C1P-1ADN-A191-K87 | DBM-21C1P-1ADN-A191-K87-146 | DBM-21C1P-1AGN-A191-K87 | DBM-21C1P-1AGN-A191-K87-146 |
| DC | 8W8 | DCM-8C8P-1AVN-A191-K87 | DCM-8C8P-1AVN-A191-K87-146 | DCM-8C8P-1ADN-A191-K87 | DCM-8C8P-1ADN-A191-K87-146 | DCM-8C8P-1AGN-A191-K87 | DCM-8C8P-1AGN-A191-K87-146 |
| DC | 13W6 | DCM-13C6P-1AVN-A191-K87 | DCM-13C6P-1AVN-A191-K87-146 | DCM-13C6P-1ADN-A191-K87 | DCM-13C6P-1ADN-A191-K87-146 | DCM-13C6P-1AGN-A191-K87 | DCM-13C6P-1AGN-A191-K87-146 |
| DC | 17W5 | DCM-17C5P-1AVN-A191-K87 | DCM-17C5P-1AVN-A191-K87-146 | DCM-17C5P-1ADN-A191-K87 | DCM-17C5P-1ADN-A191-K87-146 | DCM-17C5P-1AGN-A191-K87 | DCM-17C5P-1AGN-A191-K87-146 |
| DC | 21WA4 | DCM-21CA4P-1AVN-A191-K87 | DCM-21CA4P-1AVN-A191-K87-146 | DCM-21CA4P-1ADN-A191-K87 | DCM-21CA4P-1ADN-A191-K87-146 | DCM-21CA4P-1AGN-A191-K87 | DCM-21CA4P-1AGN-A191-K87-146 |
| DC | 25W3 | DCM-25C3P-1AVN-A191-K87 | DCM-25C3P-1AVN-A191-K87-146 | DCM-25C3P-1ADN-A191-K87 | DCM-25C3P-1ADN-A191-K87-146 | DCM-25C3P-1AGN-A191-K87 | DCM-25C3P-1AGN-A191-K87-146 |
| DC | 27W2 | DCM-27C2P-1AVN-A191-K87 | DCM-27C2P-1AVN-A191-K87-146 | DCM-27C2P-1ADN-A191-K87 | DCM-27C2P-1ADN-A191-K87-146 | DCM-27C2P-1AGN-A191-K87 | DCM-27C2P-1AGN-A191-K87-146 |

For performance class 1 replace A191 with A190.
For performance class 3 delete A191.

For 50 ohm coaxial replace C with X, Example:
DCM-13C6P-1AFN-A191-K87-146 becomes
DCM-13X6P-1AFN-A191-K87-146.

For pushfit 90° pcb hole diameter 3,2 mm replace 146 with 162. For captive nut 4-40UNC replace 1A9N with 1A7N and 1AHN with 1A8N.

Pin



- For contact cavity arrangements, see page 52.
- For pcb hole pattern, see page 54 – 56.
- For mounting methods, see page 86 – 87.
- For panel cut-outs, see our D Subminiature catalogue.
- For contact arrangements in shell size DD please refer to our D Subminiature catalogue.

Dimensions

| Shell size | A ± 0,38 | B ± 0,13 | C ± 0,13 | D ± 0,13 | E ± 0,13 | F ± 0,25 | L + 0,2 | W ± 0,4 |
|------------|----------|----------|----------|----------|----------|----------|---------|---------|
| DE | 30,8 | 16,9 | 25 | 8,35 | 12,55 | 10,7 | 0,8 | 6,7 |
| DA | 39,15 | 25,25 | 33,3 | 8,35 | 12,55 | 10,7 | 0,8 | 6,7 |
| DB | 53,05 | 38,95 | 47,05 | 8,35 | 12,55 | 10,8 | 0,9 | 6,8 |
| DC | 69,3 | 55,4 | 63,5 | 8,35 | 12,55 | 10,8 | 0,9 | 6,8 |

Coaxial 90° – European footprint, sizes DE – DC, with plastic bracket and grounding bracket

75 Ohm part numbers with plastic bracket with grounding bracket and captive nut M3

75 Ohm part numbers with plastic bracket with grounding bracket with bushing dia. 3,05

75 Ohm part numbers with plastic bracket with grounding bracket with post M3

| Shell Layout size | | P/N without pushfit | P/N with pushfit | P/N without pushfit | P/N with pushfit | P/N without pushfit | P/N with pushfit |
|-------------------|-------|---------------------------|-------------------------------|---------------------------|-------------------------------|---------------------------|-------------------------------|
| DE | 5W1 | DEM-5C1S-1AVN-A191-A197 | DEM-5C1S-1AVN-A191-A197-146 | DEM-5C1S-1ADN-A191-A197 | DEM-5C1S-1ADN-A191-A197-146 | DEM-5C1S-1AGN-A191-A197 | DEM-5C1S-1AGN-A191-A197-146 |
| DA | 7W2 | DAM-7C2S-1AVN-A191-A197 | DAM-7C2S-1AVN-A191-A197-146 | DAM-7C2S-1ADN-A191-A197 | DAM-7C2S-1ADN-A191-A197-146 | DAM-7C2S-1AGN-A191-A197 | DAM-7C2S-1AGN-A191-A197-146 |
| DA | 11W1 | DAM-11C1S-1AVN-A191-A197 | DAM-11C1S-1AVN-A191-A197-146 | DAM-11C1S-1ADN-A191-A197 | DAM-11C1S-1ADN-A191-A197-146 | DAM-11C1S-1AGN-A191-A197 | DAM-11C1S-1AGN-A191-A197-146 |
| DA | 3W3 | DAM-3C3S-1AVN-A191-A197 | DAM-3C3S-1AVN-A191-A197-146 | DAM-3C3S-1ADN-A191-A197 | DAM-3C3S-1ADN-A191-A197-146 | DAM-3C3S-1AGN-A191-A197 | DAM-3C3S-1AGN-A191-A197-146 |
| DA | 3WK3 | DAM-3CK3S-1AVN-A191-A197 | DAM-3CK3S-1AVN-A191-A197-146 | DAM-3CK3S-1ADN-A191-A197 | DAM-3CK3S-1ADN-A191-A197-146 | DAM-3CK3S-1AGN-A191-A197 | DAM-3CK3S-1AGN-A191-A197-146 |
| DB | 5W5 | DBM-5C5S-1AVN-A191-A197 | DBM-5C5S-1AVN-A191-A197-146 | DBM-5C5S-1ADN-A191-A197 | DBM-5C5S-1ADN-A191-A197-146 | DBM-5C5S-1AGN-A191-A197 | DBM-5C5S-1AGN-A191-A197-146 |
| DB | 9W4 | DBM-9C4S-1AVN-A191-A197 | DBM-9C4S-1AVN-A191-A197-146 | DBM-9C4S-1ADN-A191-A197 | DBM-9C4S-1ADN-A191-A197-146 | DBM-9C4S-1AGN-A191-A197 | DBM-9C4S-1AGN-A191-A197-146 |
| DB | 13W3 | DBM-13C3S-1AVN-A191-A197 | DBM-13C3S-1AVN-A191-A197-146 | DBM-13C3S-1ADN-A191-A197 | DBM-13C3S-1ADN-A191-A197-146 | DBM-13C3S-1AGN-A191-A197 | DBM-13C3S-1AGN-A191-A197-146 |
| DB | 17W2 | DBM-17C2S-1AVN-A191-A197 | DBM-17C2S-1AVN-A191-A197-146 | DBM-17C2S-1ADN-A191-A197 | DBM-17C2S-1ADN-A191-A197-146 | DBM-17C2S-1AGN-A191-A197 | DBM-17C2S-1AGN-A191-A197-146 |
| DB | 21W1 | DBM-21C1S-1AVN-A191-A197 | DBM-21C1S-1AVN-A191-A197-146 | DBM-21C1S-1ADN-A191-A197 | DBM-21C1S-1ADN-A191-A197-146 | DBM-21C1S-1AGN-A191-A197 | DBM-21C1S-1AGN-A191-A197-146 |
| DC | 8W8 | DCM-8C8S-1AVN-A191-A197 | DCM-8C8S-1AVN-A191-A197-146 | DCM-8C8S-1ADN-A191-A197 | DCM-8C8S-1ADN-A191-A197-146 | DCM-8C8S-1AGN-A191-A197 | DCM-8C8S-1AGN-A191-A197-146 |
| DC | 13W6 | DCM-13C6S-1AVN-A191-A197 | DCM-13C6S-1AVN-A191-A197-146 | DCM-13C6S-1ADN-A191-A197 | DCM-13C6S-1ADN-A191-A197-146 | DCM-13C6S-1AGN-A191-A197 | DCM-13C6S-1AGN-A191-A197-146 |
| DC | 17W5 | DCM-17C5S-1AVN-A191-A197 | DCM-17C5S-1AVN-A191-A197-146 | DCM-17C5S-1ADN-A191-A197 | DCM-17C5S-1ADN-A191-A197-146 | DCM-17C5S-1AGN-A191-A197 | DCM-17C5S-1AGN-A191-A197-146 |
| DC | 21WA4 | DCM-21CA4S-1AVN-A191-A197 | DCM-21CA4S-1AVN-A191-A197-146 | DCM-21CA4S-1ADN-A191-A197 | DCM-21CA4S-1ADN-A191-A197-146 | DCM-21CA4S-1AGN-A191-A197 | DCM-21CA4S-1AGN-A191-A197-146 |
| DC | 25W3 | DCM-25C3S-1AVN-A191-A197 | DCM-25C3S-1AVN-A191-A197-146 | DCM-25C3S-1ADN-A191-A197 | DCM-25C3S-1ADN-A191-A197-146 | DCM-25C3S-1AGN-A191-A197 | DCM-25C3S-1AGN-A191-A197-146 |
| DC | 27W2 | DCM-27C2S-1AVN-A191-A197 | DCM-27C2S-1AVN-A191-A197-146 | DCM-27C2S-1ADN-A191-A197 | DCM-27C2S-1ADN-A191-A197-146 | DCM-27C2S-1AGN-A191-A197 | DCM-27C2S-1AGN-A191-A197-146 |

For performance class 1 replace A191 with A190.
For performance class 3 delete A191.

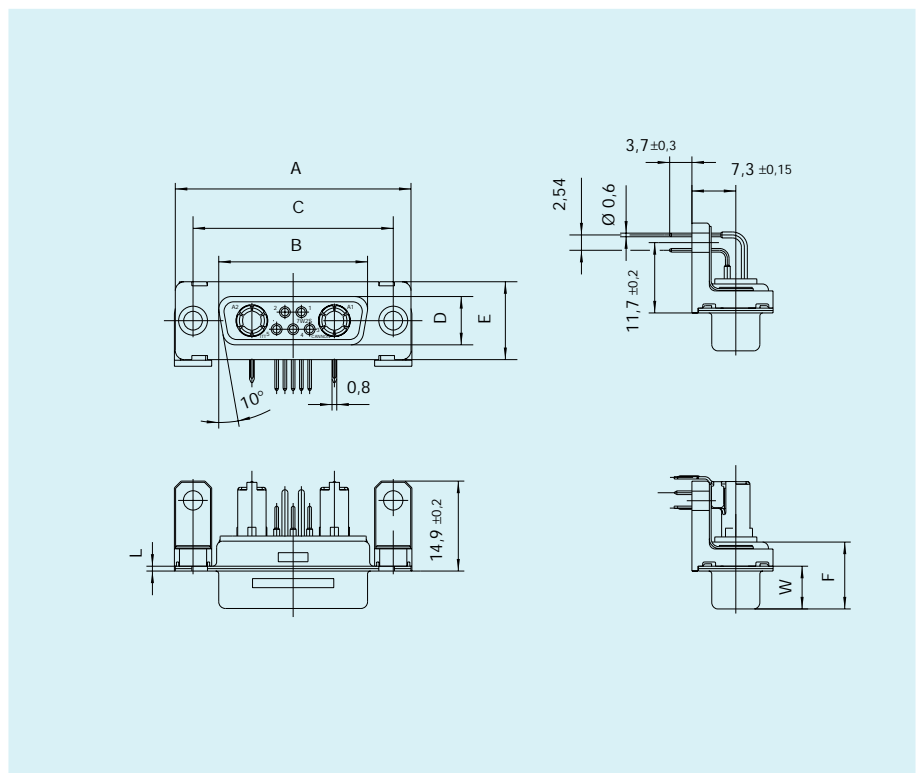
For 50 ohm coaxial replace C with X, Example:
DCM-13C6P-1AFN-A191-K87-146 becomes
DCM-13X6P-1AFN-A191-K87-146.

For pushfit 90° pcb hole diameter 3,2 mm replace 146 with 162. For captive nut 4-40UNC replace 1A9N with 1A7N and 1AHN with 1A8N.

Socket



- For contact cavity arrangements, see page 53.
- For pcb hole pattern, see page 57 – 59.
- For mounting methods, see page 86 – 87.
- For panel cut-outs, see our D Subminiature catalogue.
- For contact arrangements in shell size DD please refer to our D Subminiature catalogue.



Dimensions

| Shell size | A ±0,38 | B ±0,13 | C ±0,13 | D ±0,13 | E ±0,13 | F ±0,25 | L +0,2 | W ±0,4 |
|------------|------------|------------|------------|------------|------------|------------|-----------|-----------|
| DE | 30,8 | 16,35 | 25 | 7,9 | 12,55 | 10,9 | 0,8 | 6,95 |
| DA | 39,15 | 24,65 | 33,3 | 7,9 | 12,55 | 10,9 | 0,8 | 6,95 |
| DB | 53,05 | 38,4 | 47,05 | 7,9 | 12,55 | 10,9 | 0,8 | 6,95 |
| DC | 69,3 | 54,85 | 63,5 | 7,9 | 12,55 | 10,9 | 0,8 | 6,95 |

Coaxial straight – European solder pins, sizes DE – DC

75 Ohm part numbers with straight contacts

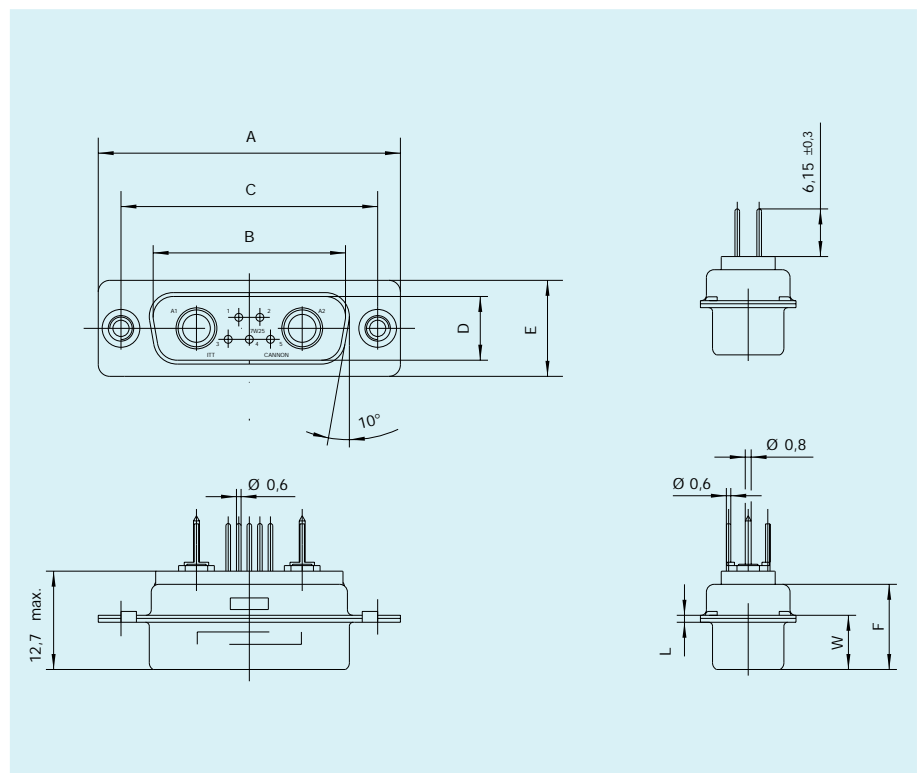
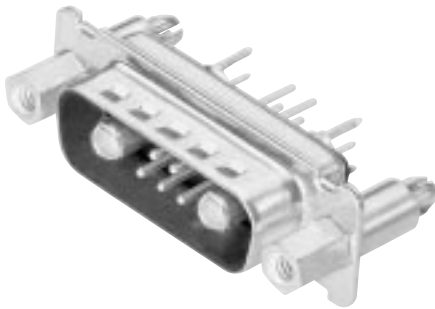
| Shell size | Layout | with standoff M3 | with standoff M3 with pushfit | standoff, M3 post and pushfit | with M3 clinch nut | with through hole 3,05 mm |
|------------|--------|--------------------------|-------------------------------|-------------------------------|--------------------------|---------------------------|
| DE | 5W1 | DEMT-5C1P-OL4-A191-K87 | DEMQ-5C1P-OL4-A191-K87 | DEMU-5C1P-OL4-A191-K87 | DEMX-5C1P-OL4-A191-K87 | DEM-5C1P-OL4-A191-K87 |
| DA | 7W2 | DAMT-7C2P-OL4-A191-K87 | DAMQ-7C2P-OL4-A191-K87 | DAMU-7C2P-OL4-A191-K87 | DAMX-7C2P-OL4-A191-K87 | DAM-7C2P-OL4-A191-K87 |
| DA | 11W1 | DAMT-11C1P-OL4-A191-K87 | DAMQ-11C1P-OL4-A191-K87 | DAMU-11C1P-OL4-A191-K87 | DAMX-11C1P-OL4-A191-K87 | DAM-11C1P-OL4-A191-K87 |
| DA | 3W3 | DAMT-3C3P-OL4-A191-K87 | DAMQ-3C3P-OL4-A191-K87 | DAMU-3C3P-OL4-A191-K87 | DAMX-3C3P-OL4-A191-K87 | DAM-3C3P-OL4-A191-K87 |
| DA | 3WK3 | DAMT-3CK3P-OL4-A191-K87 | DAMQ-3CK3P-OL4-A191-K87 | DAMU-3CK3P-OL4-A191-K87 | DAMX-3CK3P-OL4-A191-K87 | DAM-3CK3P-OL4-A191-K87 |
| DB | 5W5 | DBMT-5C5P-OL4-A191-K87 | DBMQ-5C5P-OL4-A191-K87 | DBMU-5C5P-OL4-A191-K87 | DBMX-5C5P-OL4-A191-K87 | DBM-5C5P-OL4-A191-K87 |
| DB | 9W4 | DBMT-9C4P-OL4-A191-K87 | DBMQ-9C4P-OL4-A191-K87 | DBMU-9C4P-OL4-A191-K87 | DBMX-9C4P-OL4-A191-K87 | DBM-9C4P-OL4-A191-K87 |
| DB | 13W3 | DBMT-13C3P-OL4-A191-K87 | DBMQ-13C3P-OL4-A191-K87 | DBMU-13C3P-OL4-A191-K87 | DBMX-13C3P-OL4-A191-K87 | DBM-13C3P-OL4-A191-K87 |
| DB | 17W2 | DBMT-17C2P-OL4-A191-K87 | DBMQ-17C2P-OL4-A191-K87 | DBMU-17C2P-OL4-A191-K87 | DBMX-17C2P-OL4-A191-K87 | DBM-17C2P-OL4-A191-K87 |
| DB | 21W1 | DBMT-21C1P-OL4-A191-K87 | DBMQ-21C1P-OL4-A191-K87 | DBMU-21C1P-OL4-A191-K87 | DBMX-21C1P-OL4-A191-K87 | DBM-21C1P-OL4-A191-K87 |
| DC | 8W8 | DCMT-8C8P-OL4-A191-K87 | DCMQ-8C8P-OL4-A191-K87 | DCMU-8C8P-OL4-A191-K87 | DCMX-8C8P-OL4-A191-K87 | DCM-8C8P-OL4-A191-K87 |
| DC | 13W6 | DCMT-13C6P-OL4-A191-K87 | DCMQ-13C6P-OL4-A191-K87 | DCMU-13C6P-OL4-A191-K87 | DCMX-13C6P-OL4-A191-K87 | DCM-13C6P-OL4-A191-K87 |
| DC | 17W5 | DCMT-17C5P-OL4-A191-K87 | DCMQ-17C5P-OL4-A191-K87 | DCMU-17C5P-OL4-A191-K87 | DCMX-17C5P-OL4-A191-K87 | DCM-17C5P-OL4-A191-K87 |
| DC | 21WA4 | DCMT-21CA4P-OL4-A191-K87 | DCMQ-21CA4P-OL4-A191-K87 | DCMU-21CA4P-OL4-A191-K87 | DCMX-21CA4P-OL4-A191-K87 | DCM-21CA4P-OL4-A191-K87 |
| DC | 25W3 | DCMT-25C3P-OL4-A191-K87 | DCMQ-25C3P-OL4-A191-K87 | DCMU-25C3P-OL4-A191-K87 | DCMX-25C3P-OL4-A191-K87 | DCM-25C3P-OL4-A191-K87 |
| DC | 27W2 | DCMT-27C2P-OL4-A191-K87 | DCMQ-27C2P-OL4-A191-K87 | DCMU-27C2P-OL4-A191-K87 | DCMX-27C2P-OL4-A191-K87 | DCM-27C2P-OL4-A191-K87 |

For performance class 1 replace A191 with A190.
For performance class 3 delete A191.

For 50 ohm coaxial replace C with X, Example:
DCM-13C6P-1AFN-A191-K87-146 becomes
DCM-13X6P-1AFN-A191-K87-146.

For pushfit 90° pcb hole diameter 3,2 mm replace 146
with 162. For captive nut 4-40UNC replace 1A9N with
1A7N and 1AHN with 1A8N.

Pin



- For contact cavity arrangements, see page 52.
- For pcb hole pattern, see page 60 – 63.
- For mounting methods, see page 86 – 87.
- For panel cut-outs, see our D Subminiature catalogue.

Dimensions

| Shell size | A ± 0,38 | B ± 0,13 | C ± 0,13 | D ± 0,13 | E ± 0,13 | F ± 0,25 | L + 0,2 | W ± 0,4 |
|------------|-------------|-------------|-------------|-------------|-------------|-------------|------------|------------|
| DE | 30,8 | 16,9 | 25 | 8,35 | 12,55 | 10,7 | 0,8 | 6,7 |
| DA | 39,15 | 25,25 | 33,3 | 8,35 | 12,55 | 10,7 | 0,8 | 6,7 |
| DB | 53,05 | 38,95 | 47,05 | 8,35 | 12,55 | 10,8 | 0,9 | 6,8 |
| DC | 69,3 | 55,4 | 63,5 | 8,35 | 12,55 | 10,8 | 0,9 | 6,8 |

Coaxial straight – European solder pins, sizes DE – DC

75 Ohm part numbers with straight contacts

| Shell size | Layout | with standoff M3 | with standoff M3 with pushfit | standoff, M3 post and pushfit | with M3 clinch nut | with through hole 3,05 mm |
|------------|--------|---------------------------|-------------------------------|-------------------------------|---------------------------|---------------------------|
| DE | 5W1 | DEMT-5C1S-OL4-A191-A197 | DEMQ-5C1S-OL4-A191-A197 | DEMU-5C1S-OL4-A191-A197 | DEMX-5C1S-OL4-A191-A197 | DEM-5C1S-OL4-A191-A197 |
| DA | 7W2 | DAMT-7C2S-OL4-A191-A197 | DAMQ-7C2S-OL4-A191-A197 | DAMU-7C2S-OL4-A191-A197 | DAMX-7C2S-OL4-A191-A197 | DAM-7C2S-OL4-A191-A197 |
| DA | 11W1 | DAMT-11C1S-OL4-A191-A197 | DAMQ-11C1S-OL4-A191-A197 | DAMU-11C1S-OL4-A191-A197 | DAMX-11C1S-OL4-A191-A197 | DAM-11C1S-OL4-A191-A197 |
| DA | 3W3 | DAMT-3C3S-OL4-A191-A197 | DAMQ-3C3S-OL4-A191-A197 | DAMU-3C3S-OL4-A191-A197 | DAMX-3C3S-OL4-A191-A197 | DAM-3C3S-OL4-A191-A197 |
| DA | 3WK3 | DAMT-3CK3S-OL4-A191-A197 | DAMQ-3CK3S-OL4-A191-A197 | DAMU-3CK3S-OL4-A191-A197 | DAMX-3CK3S-OL4-A191-A197 | DAM-3CK3S-OL4-A191-A197 |
| DB | 5W5 | DBMT-5C5S-OL4-A191-A197 | DBMQ-5C5S-OL4-A191-A197 | DBMU-5C5S-OL4-A191-A197 | DBMX-5C5S-OL4-A191-A197 | DBM-5C5S-OL4-A191-A197 |
| DB | 9W4 | DBMT-9C4S-OL4-A191-A197 | DBMQ-9C4S-OL4-A191-A197 | DBMU-9C4S-OL4-A191-A197 | DBMX-9C4S-OL4-A191-A197 | DBM-9C4S-OL4-A191-A197 |
| DB | 13W3 | DBMT-13C3S-OL4-A191-A197 | DBMQ-13C3S-OL4-A191-A197 | DBMU-13C3S-OL4-A191-A197 | DBMX-13C3S-OL4-A191-A197 | DBM-13C3S-OL4-A191-A197 |
| DB | 17W2 | DBMT-17C2S-OL4-A191-A197 | DBMQ-17C2S-OL4-A191-A197 | DBMU-17C2S-OL4-A191-A197 | DBMX-17C2S-OL4-A191-A197 | DBM-17C2S-OL4-A191-A197 |
| DB | 21W1 | DBMT-21C1S-OL4-A191-A197 | DBMQ-21C1S-OL4-A191-A197 | DBMU-21C1S-OL4-A191-A197 | DBMX-21C1S-OL4-A191-A197 | DBM-21C1S-OL4-A191-A197 |
| DC | 8W8 | DCMT-8C8S-OL4-A191-A197 | DCMQ-8C8S-OL4-A191-A197 | DCMU-8C8S-OL4-A191-A197 | DCMX-8C8S-OL4-A191-A197 | DCM-8C8S-OL4-A191-A197 |
| DC | 13W6 | DCMT-13C6S-OL4-A191-A197 | DCMQ-13C6S-OL4-A191-A197 | DCMU-13C6S-OL4-A191-A197 | DCMX-13C6S-OL4-A191-A197 | DCM-13C6S-OL4-A191-A197 |
| DC | 17W5 | DCMT-17C5S-OL4-A191-A197 | DCMQ-17C5S-OL4-A191-A197 | DCMU-17C5S-OL4-A191-A197 | DCMX-17C5S-OL4-A191-A197 | DCM-17C5S-OL4-A191-A197 |
| DC | 21WA4 | DCMT-21CA4S-OL4-A191-A197 | DCMQ-21CA4S-OL4-A191-A197 | DCMU-21CA4S-OL4-A191-A197 | DCMX-21CA4S-OL4-A191-A197 | DCM-21CA4S-OL4-A191-A197 |
| DC | 25W3 | DCMT-25C3S-OL4-A191-A197 | DCMQ-25C3S-OL4-A191-A197 | DCMU-25C3S-OL4-A191-A197 | DCMX-25C3S-OL4-A191-A197 | DCM-25C3S-OL4-A191-A197 |
| DC | 27W2 | DCMT-27C2S-OL4-A191-A197 | DCMQ-27C2S-OL4-A191-A197 | DCMU-27C2S-OL4-A191-A197 | DCMX-27C2S-OL4-A191-A197 | DCM-27C2S-OL4-A191-A197 |

For performance class 1 replace A191 with A190.
For performance class 3 delete A191.

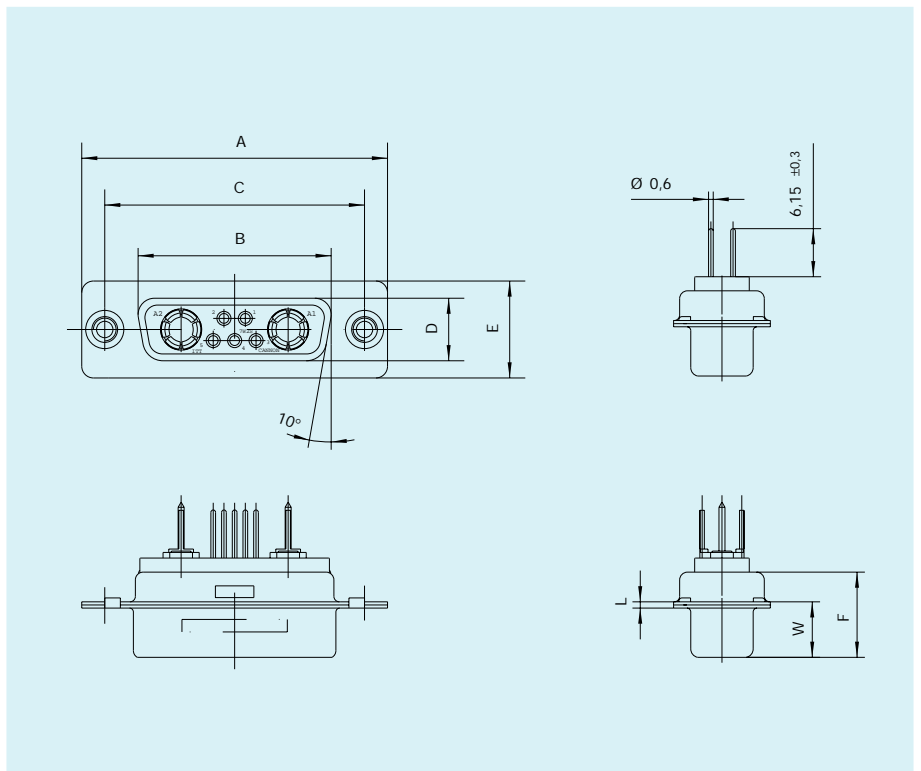
For 50 ohm coaxial replace C with X, Example:
DCM-13C6P-1AFN-A191-K87-146 becomes
DCM-13X6P-1AFN-A191-K87-146.

For pushfit 90° pcb hole diameter 3,2 mm replace 146
with 162. For captive nut 4-40UNC replace 1A9N with
1A7N and 1AHN with 1A8N.

Socket



- For contact cavity arrangements, see page 53.
- For pcb hole pattern, see page 64 – 67.
- For mounting methods, see page 86 – 87.
- For panel cut-outs, see our D Subminiature catalogue.



Dimensions

| Shell size | A | B | C | D | E | F | L | W |
|------------|--------|--------|--------|--------|--------|--------|-------|-------|
| | ± 0,38 | ± 0,13 | ± 0,13 | ± 0,13 | ± 0,13 | ± 0,25 | + 0,2 | ± 0,4 |
| DE | 30,8 | 16,35 | 25 | 7,9 | 12,55 | 10,9 | 0,8 | 6,95 |
| DA | 39,15 | 24,65 | 33,3 | 7,9 | 12,55 | 10,9 | 0,8 | 6,95 |
| DB | 53,05 | 38,4 | 47,05 | 7,9 | 12,55 | 10,9 | 0,8 | 6,95 |
| DC | 69,3 | 54,85 | 63,5 | 7,9 | 12,55 | 10,9 | 0,8 | 6,95 |

Coaxial straight – European solder pins, size DD

75 Ohm part numbers with straight contacts

| Shell size | Layout | with standoff M3 | with standoff M3 with pushfit | standoff, M3 post and pushfit | with M3 clinch nut | with through hole 3,05 mm |
|------------|--------|-------------------------|-------------------------------|-------------------------------|-------------------------|---------------------------|
| DD | 24W7 | DDMT-24C7P-OL4-A191-K87 | DDMQ-24C7P-OL4-A191-K87 | DDMU-24C7P-OL4-A191-K87 | DDMX-24C7P-OL4-A191-K87 | DDM-24C7P-OL4-A191-K87 |
| DD | 36W4 | DDMT-36C4P-OL4-A191-K87 | DDMQ-36C4P-OL4-A191-K87 | DDMU-36C4P-OL4-A191-K87 | DDMX-36C4P-OL4-A191-K87 | DDM-36C4P-OL4-A191-K87 |
| DD | 43W2 | DDMT-43C2P-OL4-A191-K87 | DDMQ-43C2P-OL4-A191-K87 | DDMU-43C2P-OL4-A191-K87 | DDMX-43C2P-OL4-A191-K87 | DDM-43C2P-OL4-A191-K87 |
| DD | 47W1 | DDMT-47C1P-OL4-A191-K87 | DDMQ-47C1P-OL4-A191-K87 | DDMU-47C1P-OL4-A191-K87 | DDMX-47C1P-OL4-A191-K87 | DDM-47C1P-OL4-A191-K87 |

For performance class 1 replace A191 with A190.
 For performance class 3 delete A191.
 For 50 ohm coaxial replace C with X.

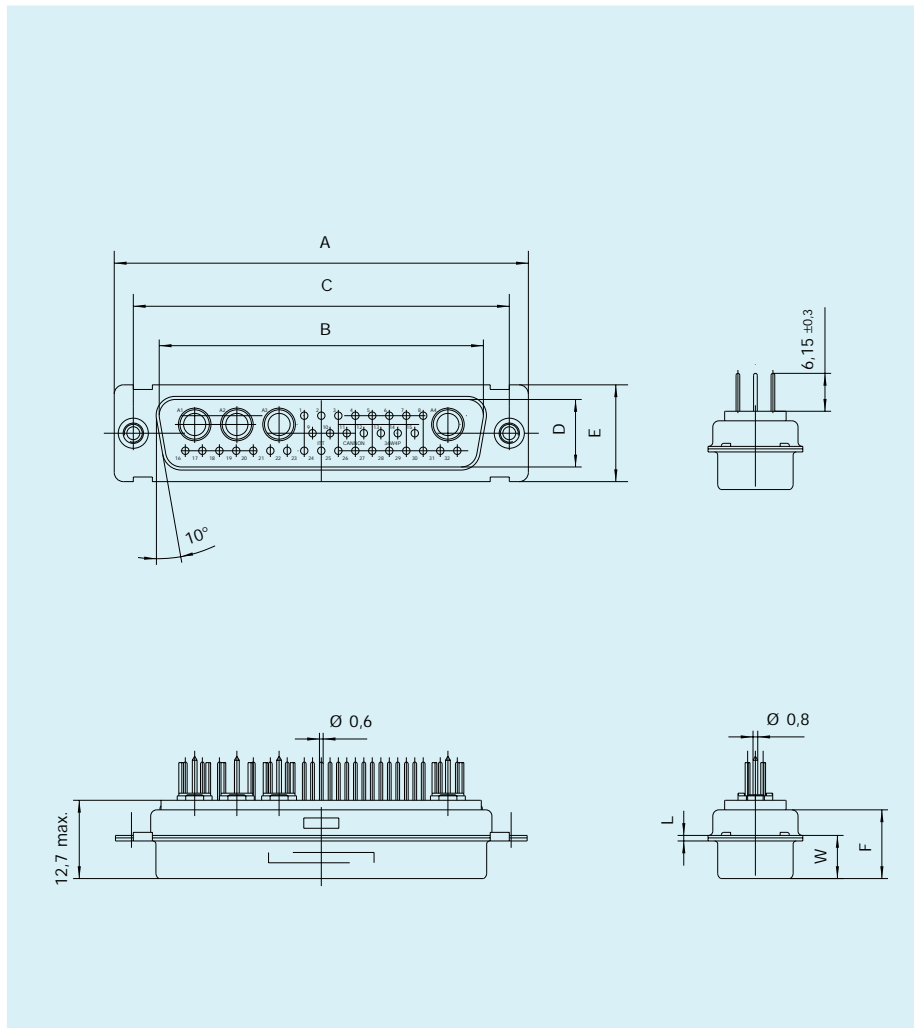
For standoff 4-40 UNC thread replace T with V.
 For standoff, 4-40 UNC thread post and pushfit replace U with N.

For 4-40 UNC thread standoff with pushfit replace Q with Z.
 For captive nut 4-40 UNC replace X with E.

Pin



- For contact cavity arrangements, see page 52.
- For pcb hole pattern, see page 60 – 63.
- For mounting methods, see page 86 – 87.
- For panel cut-outs, see our D Subminiature catalogue.



Dimensions

| Shell size | A | B | C | D | E | F | L | W |
|------------|-------|-------|-------|-------|-------|-------|------|------|
| | ±0,38 | ±0,13 | ±0,13 | ±0,13 | ±0,13 | ±0,25 | +0,2 | ±0,4 |
| DD | 66,95 | 52,8 | 61,1 | 11,1 | 15,4 | 10,8 | 0,9 | 6,85 |

Coaxial straight – European solder pins, sizes DD

75 Ohm part numbers with straight contacts

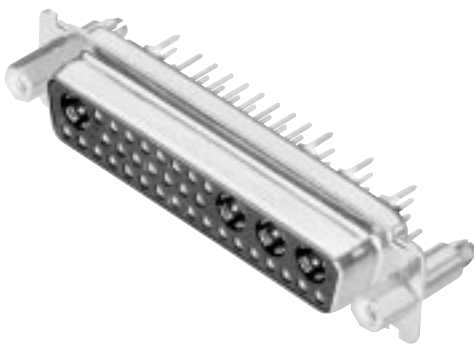
| Shell size | Layout | with standoff M3 | with standoff M3 with pushfit | standoff, M3 post and pushfit | with M3 clinch nut | with through hole 3,05 mm |
|------------|--------|--------------------------|-------------------------------|-------------------------------|--------------------------|---------------------------|
| DD | 24W7 | DDMT-24C7S-OL4-A191-A197 | DDMQ-24C7S-OL4-A191-A197 | DDMU-24C7S-OL4-A191-A197 | DDMX-24C7S-OL4-A191-A197 | DDM-24C7S-OL4-A191-A197 |
| DD | 36W4 | DDMT-36C4S-OL4-A191-A197 | DDMQ-36C4S-OL4-A191-A197 | DDMU-36C4S-OL4-A191-A197 | DDMX-36C4S-OL4-A191-A197 | DDM-36C4S-OL4-A191-A197 |
| DD | 43W2 | DDMT-43C2S-OL4-A191-A197 | DDMQ-43C2S-OL4-A191-A197 | DDMU-43C2S-OL4-A191-A197 | DDMX-43C2S-OL4-A191-A197 | DDM-43C2S-OL4-A191-A197 |
| DD | 47W1 | DDMT-47C1S-OL4-A191-A197 | DDMQ-47C1S-OL4-A191-A197 | DDMU-47C1S-OL4-A191-A197 | DDMX-47C1S-OL4-A191-A197 | DDM-47C1S-OL4-A191-A197 |

For performance class 1 replace A191 with A190.
 For performance class 3 delete A191.
 For 50 ohm coaxial replace C with X.

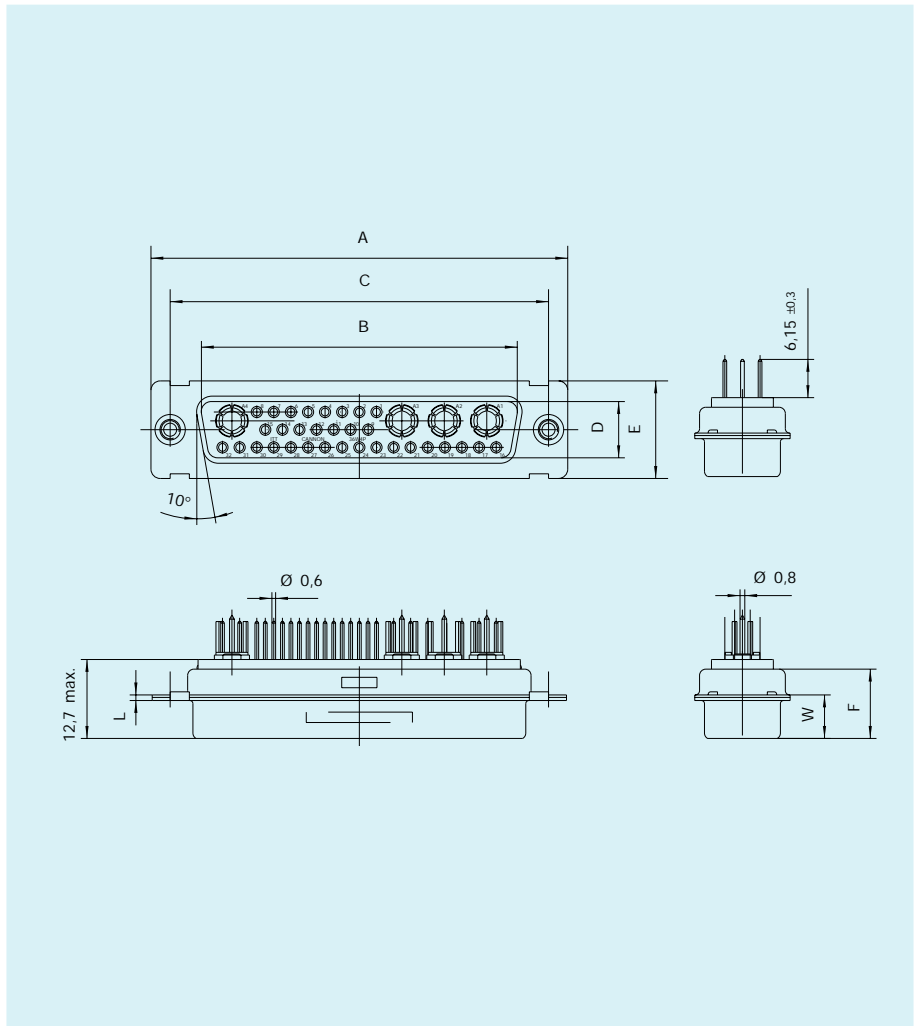
For standoff 4-40 UNC thread replace T with V.
 For standoff, 4-40 UNC thread post and pushfit replace U with N.

For 4-40 UNC thread standoff with pushfit replace Q with Z.
 For captive nut 4-40 UNC replace X with E.

Socket



- For contact cavity arrangements, see page 53.
- For pcb hole pattern, see page 64 – 67.
- For mounting methods, see page 86 – 87.
- For panel cut-outs, see our D Subminiature catalogue.



Dimensions

| Shell size | A | B | C | D | E | F | L | W |
|------------|-------|-------|-------|-------|-------|-------|------|------|
| | ±0,38 | ±0,13 | ±0,13 | ±0,13 | ±0,13 | ±0,25 | +0,2 | ±0,4 |
| DD | 66,95 | 52,4 | 61,1 | 10,75 | 15,4 | 10,9 | 0,8 | 6,95 |

40 A High power 90° – European footprint, sizes DE – DC, with metal bracket

Part numbers with metal bracket and captive nut M3

Part numbers with metal bracket with bushing dia. 3,05

Part numbers with metal bracket with post M3

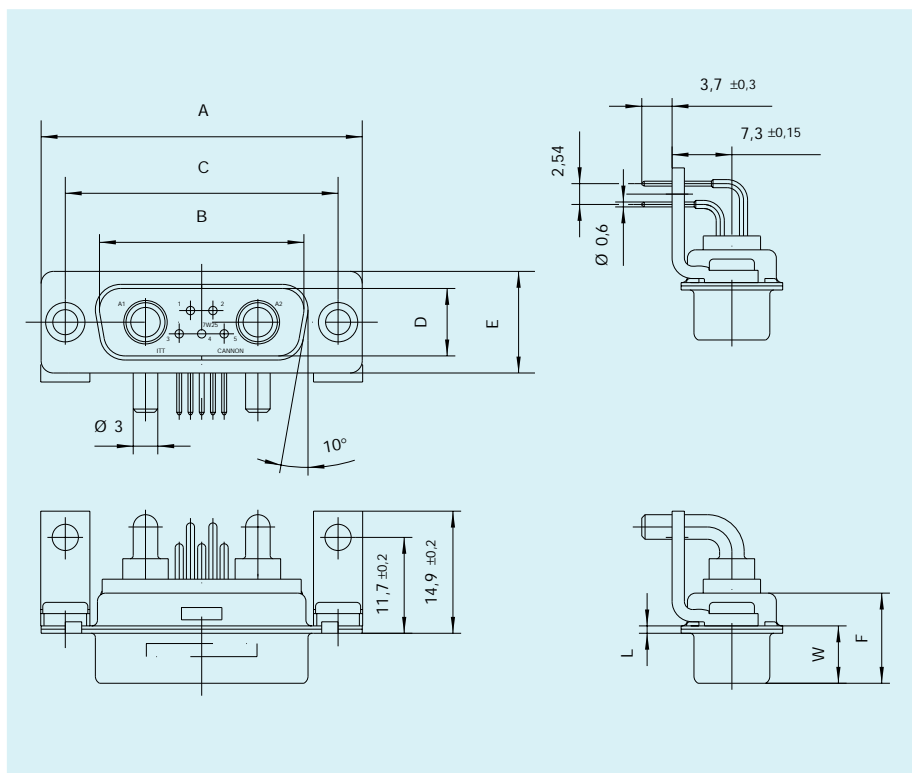
| Shell size | Layout | P/N without pushfit | P/N with pushfit | P/N without pushfit | P/N with pushfit | P/N without pushfit | P/N with pushfit |
|------------|--------|--------------------------|------------------------------|--------------------------|------------------------------|--------------------------|------------------------------|
| DE | 5W1 | DEM-5P1P-1A9N-A191-K87 | DEM-5P1P-1A9N-A191-K87-146 | DEM-5P1P-1AFN-A191-K87 | DEM-5P1P-1AFN-A191-K87-146 | DEM-5P1P-1AHN-A191-K87 | DEM-5P1P-1AHN-A191-K87-146 |
| DA | 7W2 | DAM-7P2P-1A9N-A191-K87 | DAM-7P2P-1A9N-A191-K87-146 | DAM-7P2P-1AFN-A191-K87 | DAM-7P2P-1AFN-A191-K87-146 | DAM-7P2P-1AHN-A191-K87 | DAM-7P2P-1AHN-A191-K87-146 |
| DA | 11W1 | DAM-11P1P-1A9N-A191-K87 | DAM-11P1P-1A9N-A191-K87-146 | DAM-11P1P-1AFN-A191-K87 | DAM-11P1P-1AFN-A191-K87-146 | DAM-11P1P-1AHN-A191-K87 | DAM-11P1P-1AHN-A191-K87-146 |
| DA | 3W3 | DAM-3P3P-1A9N-A191-K87 | DAM-3P3P-1A9N-A191-K87-146 | DAM-3P3P-1AFN-A191-K87 | DAM-3P3P-1AFN-A191-K87-146 | DAM-3P3P-1AHN-A191-K87 | DAM-3P3P-1AHN-A191-K87-146 |
| DA | 3WK3 | DAM-3PK3P-1A9N-A191-K87 | DAM-3PK3P-1A9N-A191-K87-146 | DAM-3PK3P-1AFN-A191-K87 | DAM-3PK3P-1AFN-A191-K87-146 | DAM-3PK3P-1AHN-A191-K87 | DAM-3PK3P-1AHN-A191-K87-146 |
| DB | 5W5 | DBM-5P5P-1A9N-A191-K87 | DBM-5P5P-1A9N-A191-K87-146 | DBM-5P5P-1AFN-A191-K87 | DBM-5P5P-1AFN-A191-K87-146 | DBM-5P5P-1AHN-A191-K87 | DBM-5P5P-1AHN-A191-K87-146 |
| DB | 9W4 | DBM-9P4P-1A9N-A191-K87 | DBM-9P4P-1A9N-A191-K87-146 | DBM-9P4P-1AFN-A191-K87 | DBM-9P4P-1AFN-A191-K87-146 | DBM-9P4P-1AHN-A191-K87 | DBM-9P4P-1AHN-A191-K87-146 |
| DB | 13W3 | DBM-13P3P-1A9N-A191-K87 | DBM-13P3P-1A9N-A191-K87-146 | DBM-13P3P-1AFN-A191-K87 | DBM-13P3P-1AFN-A191-K87-146 | DBM-13P3P-1AHN-A191-K87 | DBM-13P3P-1AHN-A191-K87-146 |
| DB | 17W2 | DBM-17P2P-1A9N-A191-K87 | DBM-17P2P-1A9N-A191-K87-146 | DBM-17P2P-1AFN-A191-K87 | DBM-17P2P-1AFN-A191-K87-146 | DBM-17P2P-1AHN-A191-K87 | DBM-17P2P-1AHN-A191-K87-146 |
| DB | 21W1 | DBM-21P1P-1A9N-A191-K87 | DBM-21P1P-1A9N-A191-K87-146 | DBM-21P1P-1AFN-A191-K87 | DBM-21P1P-1AFN-A191-K87-146 | DBM-21P1P-1AHN-A191-K87 | DBM-21P1P-1AHN-A191-K87-146 |
| DC | 8W8 | DCM-8P8P-1A9N-A191-K87 | DCM-8P8P-1A9N-A191-K87-146 | DCM-8P8P-1AFN-A191-K87 | DCM-8P8P-1AFN-A191-K87-146 | DCM-8P8P-1AHN-A191-K87 | DCM-8P8P-1AHN-A191-K87-146 |
| DC | 13W6 | DCM-13P6P-1A9N-A191-K87 | DCM-13P6P-1A9N-A191-K87-146 | DCM-13P6P-1AFN-A191-K87 | DCM-13P6P-1AFN-A191-K87-146 | DCM-13P6P-1AHN-A191-K87 | DCM-13P6P-1AHN-A191-K87-146 |
| DC | 17W5 | DCM-17P5P-1A9N-A191-K87 | DCM-17P5P-1A9N-A191-K87-146 | DCM-17P5P-1AFN-A191-K87 | DCM-17P5P-1AFN-A191-K87-146 | DCM-17P5P-1AHN-A191-K87 | DCM-17P5P-1AHN-A191-K87-146 |
| DC | 21WA4 | DCM-21PA4P-1A9N-A191-K87 | DCM-21PA4P-1A9N-A191-K87-146 | DCM-21PA4P-1AFN-A191-K87 | DCM-21PA4P-1AFN-A191-K87-146 | DCM-21PA4P-1AHN-A191-K87 | DCM-21PA4P-1AHN-A191-K87-146 |
| DC | 25W3 | DCM-25P3P-1A9N-A191-K87 | DCM-25P3P-1A9N-A191-K87-146 | DCM-25P3P-1AFN-A191-K87 | DCM-25P3P-1AFN-A191-K87-146 | DCM-25P3P-1AHN-A191-K87 | DCM-25P3P-1AHN-A191-K87-146 |
| DC | 27W2 | DCM-27P2P-1A9N-A191-K87 | DCM-27P2P-1A9N-A191-K87-146 | DCM-27P2P-1AFN-A191-K87 | DCM-27P2P-1AFN-A191-K87-146 | DCM-27P2P-1AHN-A191-K87 | DCM-27P2P-1AHN-A191-K87-146 |

For performance class 1 replace A191 with A190.
For performance class 3 delete A191.

For captive nut 4-40 UNC thread replace 1A9N with 1A7N and 1AHN with 1A8N.

For pushfit 90° pcb hole diameter 3,2 mm replace 146 with 162.

Pin



- For contact cavity arrangements, see page 52.
- For pcb hole pattern, see page 68 – 71.
- For mounting methods, see page 86 – 87.
- For panel cut-outs, see our D Subminiature catalogue.

Dimensions

| Shell size | A ± 0,38 | B ± 0,13 | C ± 0,13 | D ± 0,13 | E ± 0,13 | F ± 0,25 | L + 0,2 | W ± 0,4 |
|------------|-------------|-------------|-------------|-------------|-------------|-------------|------------|------------|
| DE | 30,8 | 16,9 | 25 | 8,35 | 12,55 | 10,7 | 0,8 | 6,7 |
| DA | 39,15 | 25,25 | 33,3 | 8,35 | 12,55 | 10,7 | 0,8 | 6,7 |
| DB | 53,05 | 38,95 | 47,05 | 8,35 | 12,55 | 10,8 | 0,9 | 6,8 |
| DC | 69,3 | 55,4 | 63,5 | 8,35 | 12,55 | 10,8 | 0,9 | 6,8 |

40 A High power 90° – European footprint, sizes DE – DC, with metal bracket

Part numbers with metal bracket and captive nut M3

Part numbers with metal bracket with dia. 3,05

Part numbers with metal bracket with post M3

| Shell size | Layout | P/N without pushfit | P/N with pushfit | P/N without pushfit | P/N with pushfit | P/N without pushfit | P/N with pushfit |
|------------|--------|---------------------------|-------------------------------|---------------------------|-------------------------------|---------------------------|-------------------------------|
| DE | 5W1 | DEM-5P1S-1A9N-A191-A197 | DEM-5P1S-1A9N-A191-A197-146 | DEM-5P1S-1AFN-A191-A197 | DEM-5P1S-1AFN-A191-A197-146 | DEM-5P1S-1AHN-A191-A197 | DEM-5P1S-1AHN-A191-A197-146 |
| DA | 7W2 | DAM-7P2S-1A9N-A191-A197 | DAM-7P2S-1A9N-A191-A197-146 | DAM-7P2S-1AFN-A191-A197 | DAM-7P2S-1AFN-A191-A197-146 | DAM-7P2S-1AHN-A191-A197 | DAM-7P2S-1AHN-A191-A197-146 |
| DA | 11W1 | DAM-11P1S-1A9N-A191-A197 | DAM-11P1S-1A9N-A191-A197-146 | DAM-11P1S-1AFN-A191-A197 | DAM-11P1S-1AFN-A191-A197-146 | DAM-11P1S-1AHN-A191-A197 | DAM-11P1S-1AHN-A191-A197-146 |
| DA | 3W3 | DAM-3P3S-1A9N-A191-A197 | DAM-3P3S-1A9N-A191-A197-146 | DAM-3P3S-1AFN-A191-A197 | DAM-3P3S-1AFN-A191-A197-146 | DAM-3P3S-1AHN-A191-A197 | DAM-3P3S-1AHN-A191-A197-146 |
| DA | 3WK3 | DAM-3PK3S-1A9N-A191-A197 | DAM-3PK3S-1A9N-A191-A197-146 | DAM-3PK3S-1AFN-A191-A197 | DAM-3PK3S-1AFN-A191-A197-146 | DAM-3PK3S-1AHN-A191-A197 | DAM-3PK3S-1AHN-A191-A197-146 |
| DB | 5W5 | DBM-5P5S-1A9N-A191-A197 | DBM-5P5S-1A9N-A191-A197-146 | DBM-5P5S-1AFN-A191-A197 | DBM-5P5S-1AFN-A191-A197-146 | DBM-5P5S-1AHN-A191-A197 | DBM-5P5S-1AHN-A191-A197-146 |
| DB | 9W4 | DBM-9P4S-1A9N-A191-A197 | DBM-9P4S-1A9N-A191-A197-146 | DBM-9P4S-1AFN-A191-A197 | DBM-9P4S-1AFN-A191-A197-146 | DBM-9P4S-1AHN-A191-A197 | DBM-9P4S-1AHN-A191-A197-146 |
| DB | 13W3 | DBM-13P3S-1A9N-A191-A197 | DBM-13P3S-1A9N-A191-A197-146 | DBM-13P3S-1AFN-A191-A197 | DBM-13P3S-1AFN-A191-A197-146 | DBM-13P3S-1AHN-A191-A197 | DBM-13P3S-1AHN-A191-A197-146 |
| DB | 17W2 | DBM-17P2S-1A9N-A191-A197 | DBM-17P2S-1A9N-A191-A197-146 | DBM-17P2S-1AFN-A191-A197 | DBM-17P2S-1AFN-A191-A197-146 | DBM-17P2S-1AHN-A191-A197 | DBM-17P2S-1AHN-A191-A197-146 |
| DB | 21W1 | DBM-21P1S-1A9N-A191-A197 | DBM-21P1S-1A9N-A191-A197-146 | DBM-21P1S-1AFN-A191-A197 | DBM-21P1S-1AFN-A191-A197-146 | DBM-21P1S-1AHN-A191-A197 | DBM-21P1S-1AHN-A191-A197-146 |
| DC | 8W8 | DCM-8P8S-1A9N-A191-A197 | DCM-8P8S-1A9N-A191-A197-146 | DCM-8P8S-1AFN-A191-A197 | DCM-8P8S-1AFN-A191-A197-146 | DCM-8P8S-1AHN-A191-A197 | DCM-8P8S-1AHN-A191-A197-146 |
| DC | 13W6 | DCM-13P6S-1A9N-A191-A197 | DCM-13P6S-1A9N-A191-A197-146 | DCM-13P6S-1AFN-A191-A197 | DCM-13P6S-1AFN-A191-A197-146 | DCM-13P6S-1AHN-A191-A197 | DCM-13P6S-1AHN-A191-A197-146 |
| DC | 17W5 | DCM-17P5S-1A9N-A191-A197 | DCM-17P5S-1A9N-A191-A197-146 | DCM-17P5S-1AFN-A191-A197 | DCM-17P5S-1AFN-A191-A197-146 | DCM-17P5S-1AHN-A191-A197 | DCM-17P5S-1AHN-A191-A197-146 |
| DC | 21WA4 | DCM-21PA4S-1A9N-A191-A197 | DCM-21PA4S-1A9N-A191-A197-146 | DCM-21PA4S-1AFN-A191-A197 | DCM-21PA4S-1AFN-A191-A197-146 | DCM-21PA4S-1AHN-A191-A197 | DCM-21PA4S-1AHN-A191-A197-146 |
| DC | 25W3 | DCM-25P3S-1A9N-A191-A197 | DCM-25P3S-1A9N-A191-A197-146 | DCM-25P3S-1AFN-A191-A197 | DCM-25P3S-1AFN-A191-A197-146 | DCM-25P3S-1AHN-A191-A197 | DCM-25P3S-1AHN-A191-A197-146 |
| DC | 27W2 | DCM-27P2S-1A9N-A191-A197 | DCM-27P2S-1A9N-A191-A197-146 | DCM-27P2S-1AFN-A191-A197 | DCM-27P2S-1AFN-A191-A197-146 | DCM-27P2S-1AHN-A191-A197 | DCM-27P2S-1AHN-A191-A197-146 |

For performance class 1 replace A191 with A190.
For performance class 3 delete A191.

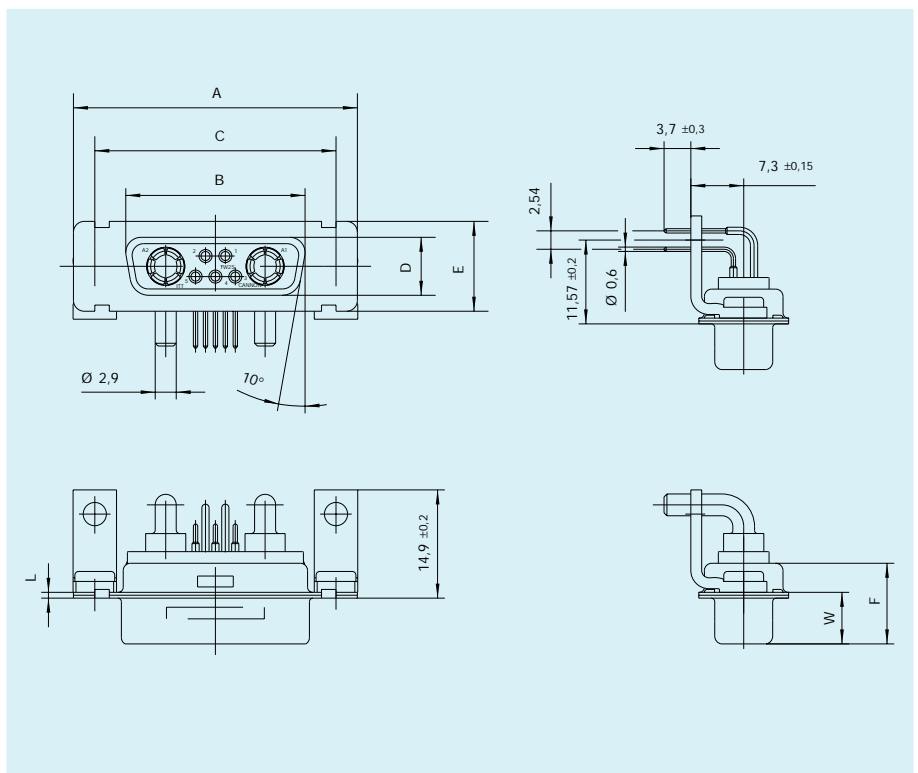
For captive nut 4-40 UNC thread replace 1A9N with 1A7N and 1AHN with 1A8N.

For pushfit 90° pcb hole diameter 3,2 mm replace 146 with 162.

Socket



- For contact cavity arrangements, see page 53.
- For pcb hole pattern, see page 72 – 75.
- For mounting methods, see page 86 – 87.
- For panel cut-outs, see our D Subminiature catalogue.



Dimensions

| Shell size | A | B | C | D | E | F | L | W |
|------------|-------|-------|-------|-------|-------|-------|------|------|
| | ±0,38 | ±0,13 | ±0,13 | ±0,13 | ±0,13 | ±0,25 | +0,2 | ±0,4 |
| DE | 30,8 | 16,35 | 25 | 7,9 | 12,55 | 10,9 | 0,8 | 6,95 |
| DA | 39,15 | 24,65 | 33,3 | 7,9 | 12,55 | 10,9 | 0,8 | 6,95 |
| DB | 53,05 | 38,4 | 47,05 | 7,9 | 12,55 | 10,9 | 0,8 | 6,95 |
| DC | 69,3 | 54,85 | 63,5 | 7,9 | 12,55 | 10,9 | 0,8 | 6,95 |

40 A High power 90° – European footprint, size DD, with metal bracket

Part numbers with metal bracket and captive nut M3

Part numbers with metal bracket with bushing diam. 3,05

Part numbers with metal bracket with post M3

| Shell size | Layout | P/N without pushfit | P/N with pushfit | P/N without pushfit | P/N with pushfit | P/N without pushfit | P/N with pushfit |
|------------|--------|-------------------------|-----------------------------|-------------------------|-----------------------------|-------------------------|-----------------------------|
| DD | 24W7 | DDM-24P7P-1A9N-A191-K87 | DDM-24P7P-1A9N-A191-K87-146 | DDM-24P7P-1AFN-A191-K87 | DDM-24P7P-1AFN-A191-K87-146 | DDM-24P7P-1AHN-A191-K87 | DDM-24P7P-1AHN-A191-K87-146 |
| DD | 36W4 | DDM-36P4P-1A9N-A191-K87 | DDM-36P4P-1A9N-A191-K87-146 | DDM-36P4P-1AFN-A191-K87 | DDM-36P4P-1AFN-A191-K87-146 | DDM-36P4P-1AHN-A191-K87 | DDM-36P4P-1AHN-A191-K87-146 |
| DD | 43W2 | DDM-43P2P-1A9N-A191-K87 | DDM-43P2P-1A9N-A191-K87-146 | DDM-43P2P-1AFN-A191-K87 | DDM-43P2P-1AFN-A191-K87-146 | DDM-43P2P-1AHN-A191-K87 | DDM-43P2P-1AHN-A191-K87-146 |
| DD | 47W1 | DDM-47P1P-1A9N-A191-K87 | DDM-47P1P-1A9N-A191-K87-146 | DDM-47P1P-1AFN-A191-K87 | DDM-47P1P-1AFN-A191-K87-146 | DDM-47P1P-1AHN-A191-K87 | DDM-47P1P-1AHN-A191-K87-146 |

For performance class 1 replace A191 with A190.
For performance class 3 delete A191.

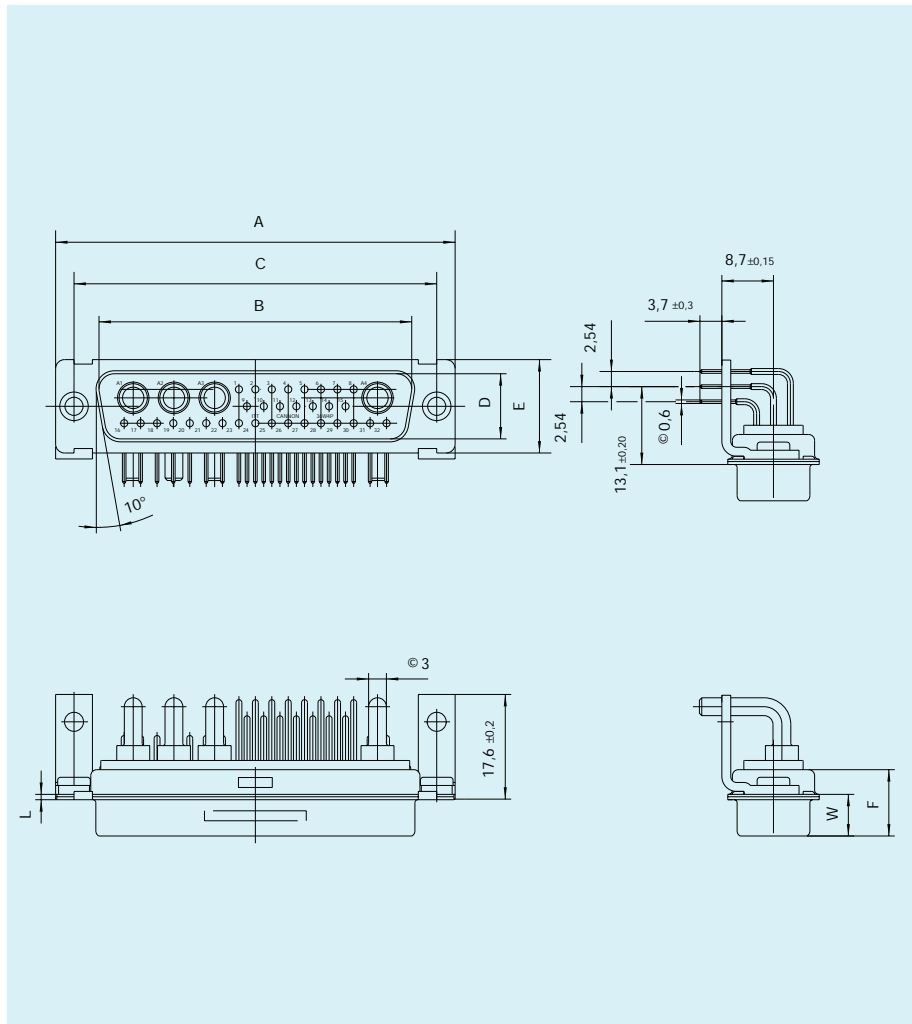
For captive nut 4-40 UNC thread replace 1A9N with 1A7N and 1AHN with 1A8N.

For pushfit 90° pcb hole diameter 3,2 mm replace 146 with 162.

Pin



- For contact cavity arrangements, see page 52.
- For pcb hole pattern, see page 68 – 71.
- For mounting methods, see page 86 – 87.
- For panel cut-outs, see our D Subminiature catalogue.



Dimensions

| Shell size | A | B | C | D | E | F | L | W |
|------------|-------|-------|-------|-------|-------|-------|------|------|
| | ±0,38 | ±0,13 | ±0,13 | ±0,13 | ±0,13 | ±0,25 | +0,2 | ±0,4 |
| DD | 66,95 | 52,8 | 61,1 | 11,1 | 15,4 | 10,8 | 0,9 | 6,85 |

40 A High power 90° – European footprint, size DD, with metal bracket

Part numbers with metal bracket and captive nut M3

Part numbers with metal bracket with bushing diam. 3,05

Part numbers with metal bracket with post M3

| Shell size | Layout | P/N without pushfit | P/N with pushfit | P/N without pushfit | P/N with pushfit | P/N without pushfit | P/N with pushfit |
|------------|--------|--------------------------|------------------------------|--------------------------|------------------------------|--------------------------|------------------------------|
| DD | 24W7 | DDM-24P7S-1A9N-A191-A197 | DDM-24P7S-1A9N-A191-A197-146 | DDM-24P7S-1AFN-A191-A197 | DDM-24P7S-1AFN-A191-A197-146 | DDM-24P7S-1AHN-A191-A197 | DDM-24P7S-1AHN-A191-A197-146 |
| DD | 36W4 | DDM-36P4S-1A9N-A191-A197 | DDM-36P4S-1A9N-A191-A197-146 | DDM-36P4S-1AFN-A191-A197 | DDM-36P4S-1AFN-A191-A197-146 | DDM-36P4S-1AHN-A191-A197 | DDM-36P4S-1AHN-A191-A197-146 |
| DD | 43W2 | DDM-43P2S-1A9N-A191-A197 | DDM-43P2S-1A9N-A191-A197-146 | DDM-43P2S-1AFN-A191-A197 | DDM-43P2S-1AFN-A191-A197-146 | DDM-43P2S-1AHN-A191-A197 | DDM-43P2S-1AHN-A191-A197-146 |
| DD | 47W1 | DDM-47P1S-1A9N-A191-A197 | DDM-47P1S-1A9N-A191-A197-146 | DDM-47P1S-1AFN-A191-A197 | DDM-47P1S-1AFN-A191-A197-146 | DDM-47P1S-1AHN-A191-A197 | DDM-47P1S-1AHN-A191-A197-146 |

For performance class 1 replace A191 with A190.
For performance class 3 delete A191.

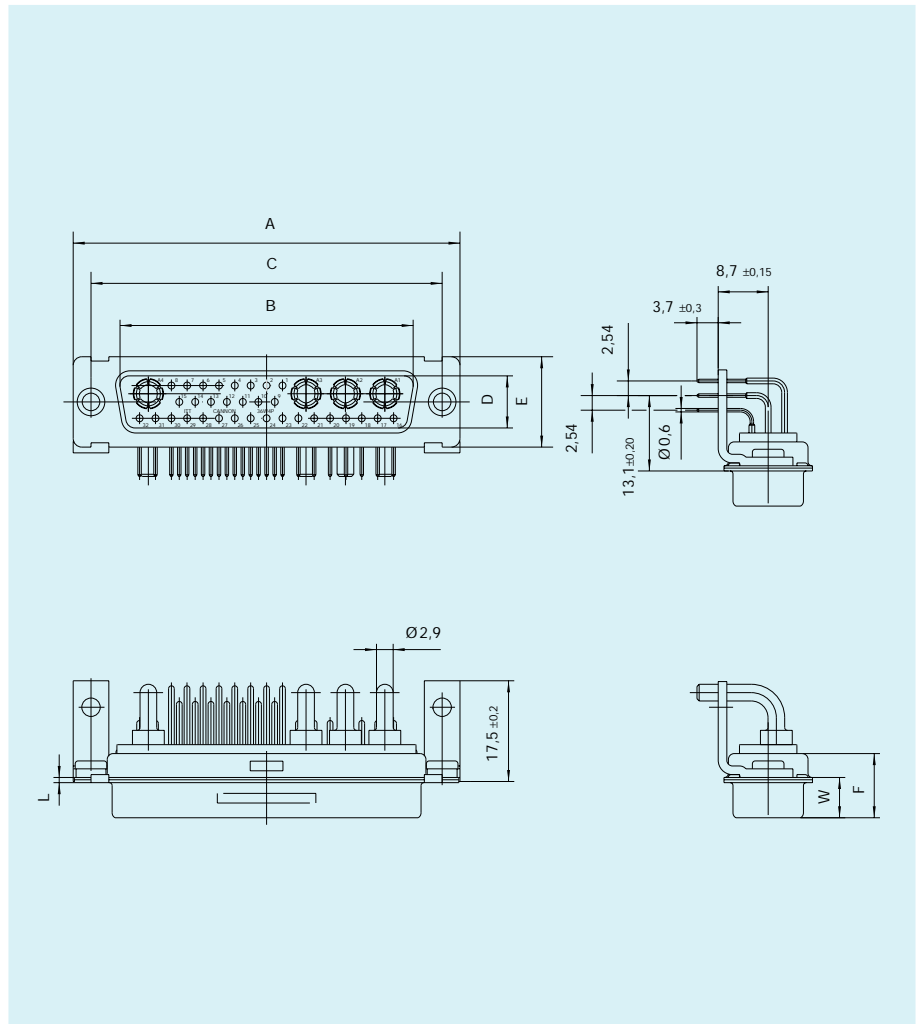
For captive nut 4-40 UNC thread replace 1A9N with 1A7N and 1AHN with 1A8N.

For pushfit 90° pcb hole diameter 3,2 mm replace 146 with 162.

Socket



- For contact cavity arrangements, see page 53.
- For pcb hole pattern, see page 72 – 75.
- For mounting methods, see page 86 – 87.
- For panel cut-outs, see our D Subminiature catalogue.



Dimensions

| Shell size | A | B | C | D | E | F | L | W |
|------------|-------|-------|-------|-------|-------|-------|------|------|
| | ±0,38 | ±0,13 | ±0,13 | ±0,13 | ±0,13 | ±0,25 | +0,2 | ±0,4 |
| DD | 66,95 | 52,4 | 61,1 | 10,75 | 15,4 | 10,9 | 0,8 | 6,95 |

40 A High power 90° – European footprint, sizes DE – DC, with plastic bracket

Part numbers with plastic bracket and captive nut M3

Part numbers with plastic bracket with bushing diam. 3,05

Part numbers with plastic bracket with post M3

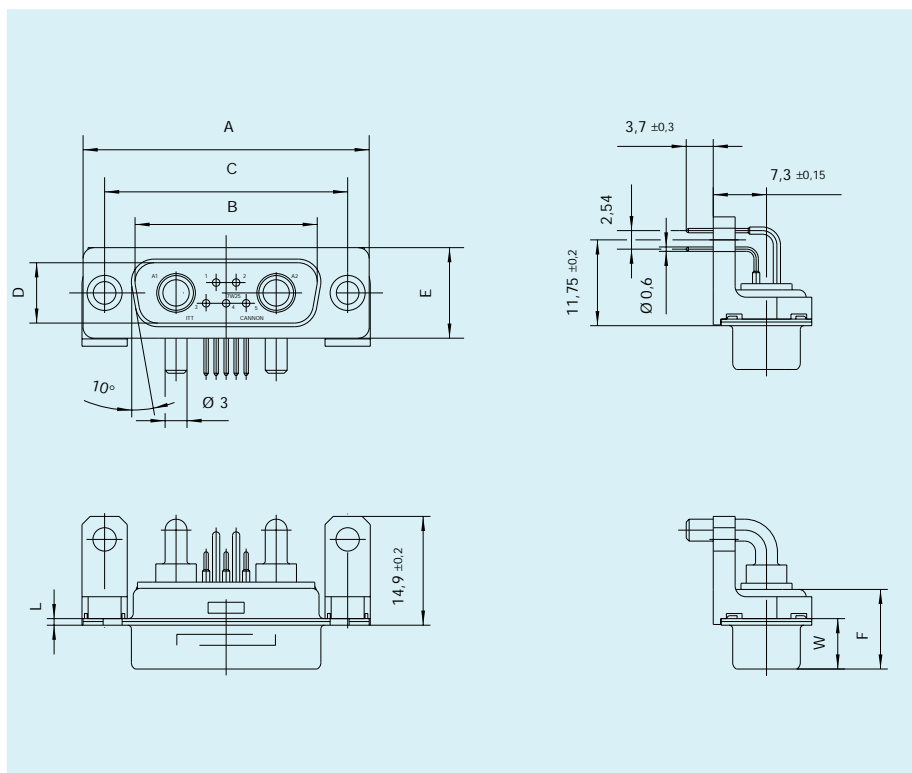
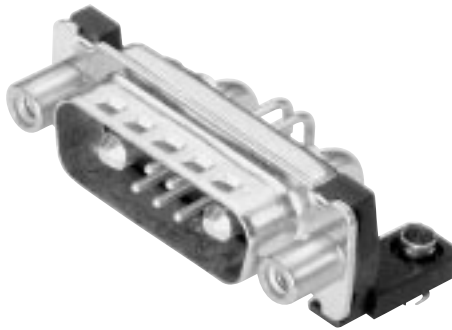
| Shell size | Layout | P/N without pushfit | P/N with pushfit | P/N without pushfit | P/N with pushfit | P/N without pushfit | P/N with pushfit |
|------------|--------|--------------------------|------------------------------|--------------------------|------------------------------|--------------------------|------------------------------|
| DE | 5W1 | DEM-5P1P-1ATN-A191-K87 | DEM-5P1P-1ATN-A191-K87-146 | DEM-5P1P-1A5N-A191-K87 | DEM-5P1P-1A5N-A191-K87-146 | DEM-5P1P-1APN-A191-K87 | DEM-5P1P-1APN-A191-K87-146 |
| DA | 7W2 | DAM-7P2P-1ATN-A191-K87 | DAM-7P2P-1ATN-A191-K87-146 | DAM-7P2P-1A5N-A191-K87 | DAM-7P2P-1A5N-A191-K87-146 | DAM-7P2P-1APN-A191-K87 | DAM-7P2P-1APN-A191-K87-146 |
| DA | 11W1 | DAM-11P1P-1ATN-A191-K87 | DAM-11P1P-1ATN-A191-K87-146 | DAM-11P1P-1A5N-A191-K87 | DAM-11P1P-1A5N-A191-K87-146 | DAM-11P1P-1APN-A191-K87 | DAM-11P1P-1APN-A191-K87-146 |
| DA | 3W3 | DAM-3P3P-1ATN-A191-K87 | DAM-3P3P-1ATN-A191-K87-146 | DAM-3P3P-1A5N-A191-K87 | DAM-3P3P-1A5N-A191-K87-146 | DAM-3P3P-1APN-A191-K87 | DAM-3P3P-1APN-A191-K87-146 |
| DA | 3WK3 | DAM-3PK3P-1ATN-A191-K87 | DAM-3PK3P-1ATN-A191-K87-146 | DAM-3PK3P-1A5N-A191-K87 | DAM-3PK3P-1A5N-A191-K87-146 | DAM-3PK3P-1APN-A191-K87 | DAM-3PK3P-1APN-A191-K87-146 |
| DB | 5W5 | DBM-5P5P-1ATN-A191-K87 | DBM-5P5P-1ATN-A191-K87-146 | DBM-5P5P-1A5N-A191-K87 | DBM-5P5P-1A5N-A191-K87-146 | DBM-5P5P-1APN-A191-K87 | DBM-5P5P-1APN-A191-K87-146 |
| DB | 9W4 | DBM-9P4P-1ATN-A191-K87 | DBM-9P4P-1ATN-A191-K87-146 | DBM-9P4P-1A5N-A191-K87 | DBM-9P4P-1A5N-A191-K87-146 | DBM-9P4P-1APN-A191-K87 | DBM-9P4P-1APN-A191-K87-146 |
| DB | 13W3 | DBM-13P3P-1ATN-A191-K87 | DBM-13P3P-1ATN-A191-K87-146 | DBM-13P3P-1A5N-A191-K87 | DBM-13P3P-1A5N-A191-K87-146 | DBM-13P3P-1APN-A191-K87 | DBM-13P3P-1APN-A191-K87-146 |
| DB | 17W2 | DBM-17P2P-1ATN-A191-K87 | DBM-17P2P-1ATN-A191-K87-146 | DBM-17P2P-1A5N-A191-K87 | DBM-17P2P-1A5N-A191-K87-146 | DBM-17P2P-1APN-A191-K87 | DBM-17P2P-1APN-A191-K87-146 |
| DB | 21W1 | DBM-21P1P-1ATN-A191-K87 | DBM-21P1P-1ATN-A191-K87-146 | DBM-21P1P-1A5N-A191-K87 | DBM-21P1P-1A5N-A191-K87-146 | DBM-21P1P-1APN-A191-K87 | DBM-21P1P-1APN-A191-K87-146 |
| DC | 8W8 | DCM-8P8P-1ATN-A191-K87 | DCM-8P8P-1ATN-A191-K87-146 | DCM-8P8P-1A5N-A191-K87 | DCM-8P8P-1A5N-A191-K87-146 | DCM-8P8P-1APN-A191-K87 | DCM-8P8P-1APN-A191-K87-146 |
| DC | 13W6 | DCM-13P6P-1ATN-A191-K87 | DCM-13P6P-1ATN-A191-K87-146 | DCM-13P6P-1A5N-A191-K87 | DCM-13P6P-1A5N-A191-K87-146 | DCM-13P6P-1APN-A191-K87 | DCM-13P6P-1APN-A191-K87-146 |
| DC | 17W5 | DCM-17P5P-1ATN-A191-K87 | DCM-17P5P-1ATN-A191-K87-146 | DCM-17P5P-1A5N-A191-K87 | DCM-17P5P-1A5N-A191-K87-146 | DCM-17P5P-1APN-A191-K87 | DCM-17P5P-1APN-A191-K87-146 |
| DC | 21WA4 | DCM-21PA4P-1ATN-A191-K87 | DCM-21PA4P-1ATN-A191-K87-146 | DCM-21PA4P-1A5N-A191-K87 | DCM-21PA4P-1A5N-A191-K87-146 | DCM-21PA4P-1APN-A191-K87 | DCM-21PA4P-1APN-A191-K87-146 |
| DC | 25W3 | DCM-25P3P-1ATN-A191-K87 | DCM-25P3P-1ATN-A191-K87-146 | DCM-25P3P-1A5N-A191-K87 | DCM-25P3P-1A5N-A191-K87-146 | DCM-25P3P-1APN-A191-K87 | DCM-25P3P-1APN-A191-K87-146 |
| DC | 27W2 | DCM-27P2P-1ATN-A191-K87 | DCM-27P2P-1ATN-A191-K87-146 | DCM-27P2P-1A5N-A191-K87 | DCM-27P2P-1A5N-A191-K87-146 | DCM-27P2P-1APN-A191-K87 | DCM-27P2P-1APN-A191-K87-146 |

For performance class 1 replace A191 with A190.
For performance class 3 delete A191.

For pushfit 90° hole diameter 3,2 mm replace 146 with 162.

For captive nut 4-40 UNC replace 1ATN with 1AUN and 1APN with 1A6N.

Pin



- For contact cavity arrangements, see page 52.
- For pcb hole pattern, see page 68 – 71.
- For mounting methods, see page 86 – 87.
- For panel cut-outs, see our D Subminiature catalogue.

Dimensions

| Shell size | A ± 0,38 | B ± 0,13 | C ± 0,13 | D ± 0,13 | E ± 0,13 | F ± 0,25 | L + 0,2 | W ± 0,4 |
|------------|-------------|-------------|-------------|-------------|-------------|-------------|------------|------------|
| DE | 30,8 | 16,9 | 25 | 8,35 | 12,55 | 10,7 | 0,8 | 6,7 |
| DA | 39,15 | 25,25 | 33,3 | 8,35 | 12,55 | 10,7 | 0,8 | 6,7 |
| DB | 53,05 | 38,95 | 47,05 | 8,35 | 12,55 | 10,8 | 0,9 | 6,8 |
| DC | 69,3 | 55,4 | 63,5 | 8,35 | 12,55 | 10,8 | 0,9 | 6,8 |

40 A High power 90° – European footprint, sizes DE – DC, with plastic bracket

Part numbers with plastic bracket and captive nut M3

Part numbers with plastic bracket with bushing diam. 3,05

Part numbers with plastic bracket with post M3

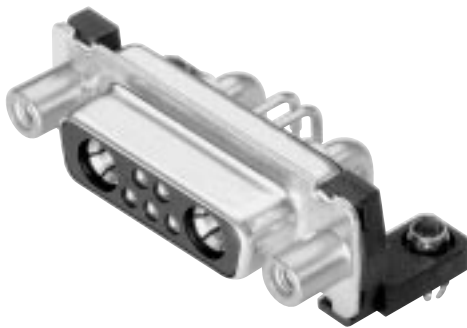
| Shell size | Layout | P/N without pushfit | P/N with pushfit | P/N without pushfit | P/N with pushfit | P/N without pushfit | P/N with pushfit |
|------------|--------|---------------------------|-------------------------------|---------------------------|-------------------------------|---------------------------|-------------------------------|
| DE | 5W1 | DEM-5P1S-1ATN-A191-A197 | DEM-5P1S-1ATN-A191-A197-146 | DEM-5P1S-1A5N-A191-A197 | DEM-5P1S-1A5N-A191-A197-146 | DEM-5P1S-1APN-A191-A197 | DEM-5P1S-1APN-A191-A197-146 |
| DA | 7W2 | DAM-7P2S-1ATN-A191-A197 | DAM-7P2S-1ATN-A191-A197-146 | DAM-7P2S-1A5N-A191-A197 | DAM-7P2S-1A5N-A191-A197-146 | DAM-7P2S-1APN-A191-A197 | DAM-7P2S-1APN-A191-A197-146 |
| DA | 11W1 | DAM-11P1S-1ATN-A191-A197 | DAM-11P1S-1ATN-A191-A197-146 | DAM-11P1S-1A5N-A191-A197 | DAM-11P1S-1A5N-A191-A197-146 | DAM-11P1S-1APN-A191-A197 | DAM-11P1S-1APN-A191-A197-146 |
| DA | 3W3 | DAM-3P3S-1ATN-A191-A197 | DAM-3P3S-1ATN-A191-A197-146 | DAM-3P3S-1A5N-A191-A197 | DAM-3P3S-1A5N-A191-A197-146 | DAM-3P3S-1APN-A191-A197 | DAM-3P3S-1APN-A191-A197-146 |
| DA | 3WK3 | DAM-3PK3S-1ATN-A191-A197 | DAM-3PK3S-1ATN-A191-A197-146 | DAM-3PK3S-1A5N-A191-A197 | DAM-3PK3S-1A5N-A191-A197-146 | DAM-3PK3S-1APN-A191-A197 | DAM-3PK3S-1APN-A191-A197-146 |
| DB | 5W5 | DBM-5P5S-1ATN-A191-A197 | DBM-5P5S-1ATN-A191-A197-146 | DBM-5P5S-1A5N-A191-A197 | DBM-5P5S-1A5N-A191-A197-146 | DBM-5P5S-1APN-A191-A197 | DBM-5P5S-1APN-A191-A197-146 |
| DB | 9W4 | DBM-9P4S-1ATN-A191-A197 | DBM-9P4S-1ATN-A191-A197-146 | DBM-9P4S-1A5N-A191-A197 | DBM-9P4S-1A5N-A191-A197-146 | DBM-9P4S-1APN-A191-A197 | DBM-9P4S-1APN-A191-A197-146 |
| DB | 13W3 | DBM-13P3S-1ATN-A191-A197 | DBM-13P3S-1ATN-A191-A197-146 | DBM-13P3S-1A5N-A191-A197 | DBM-13P3S-1A5N-A191-A197-146 | DBM-13P3S-1APN-A191-A197 | DBM-13P3S-1APN-A191-A197-146 |
| DB | 17W2 | DBM-17P2S-1ATN-A191-A197 | DBM-17P2S-1ATN-A191-A197-146 | DBM-17P2S-1A5N-A191-A197 | DBM-17P2S-1A5N-A191-A197-146 | DBM-17P2S-1APN-A191-A197 | DBM-17P2S-1APN-A191-A197-146 |
| DB | 21W1 | DBM-21P1S-1ATN-A191-A197 | DBM-21P1S-1ATN-A191-A197-146 | DBM-21P1S-1A5N-A191-A197 | DBM-21P1S-1A5N-A191-A197-146 | DBM-21P1S-1APN-A191-A197 | DBM-21P1S-1APN-A191-A197-146 |
| DC | 8W8 | DCM-8P8S-1ATN-A191-A197 | DCM-8P8S-1ATN-A191-A197-146 | DCM-8P8S-1A5N-A191-A197 | DCM-8P8S-1A5N-A191-A197-146 | DCM-8P8S-1APN-A191-A197 | DCM-8P8S-1APN-A191-A197-146 |
| DC | 13W6 | DCM-13P6S-1ATN-A191-A197 | DCM-13P6S-1ATN-A191-A197-146 | DCM-13P6S-1A5N-A191-A197 | DCM-13P6S-1A5N-A191-A197-146 | DCM-13P6S-1APN-A191-A197 | DCM-13P6S-1APN-A191-A197-146 |
| DC | 17W5 | DCM-17P5S-1ATN-A191-A197 | DCM-17P5S-1ATN-A191-A197-146 | DCM-17P5S-1A5N-A191-A197 | DCM-17P5S-1A5N-A191-A197-146 | DCM-17P5S-1APN-A191-A197 | DCM-17P5S-1APN-A191-A197-146 |
| DC | 21WA4 | DCM-21PA4S-1ATN-A191-A197 | DCM-21PA4S-1ATN-A191-A197-146 | DCM-21PA4S-1A5N-A191-A197 | DCM-21PA4S-1A5N-A191-A197-146 | DCM-21PA4S-1APN-A191-A197 | DCM-21PA4S-1APN-A191-A197-146 |
| DC | 25W3 | DCM-25P3S-1ATN-A191-A197 | DCM-25P3S-1ATN-A191-A197-146 | DCM-25P3S-1A5N-A191-A197 | DCM-25P3S-1A5N-A191-A197-146 | DCM-25P3S-1APN-A191-A197 | DCM-25P3S-1APN-A191-A197-146 |
| DC | 27W2 | DCM-27P2S-1ATN-A191-A197 | DCM-27P2S-1ATN-A191-A197-146 | DCM-27P2S-1A5N-A191-A197 | DCM-27P2S-1A5N-A191-A197-146 | DCM-27P2S-1APN-A191-A197 | DCM-27P2S-1APN-A191-A197-146 |

For performance class 1 replace A191 with A190.
For performance class 3 delete A191.

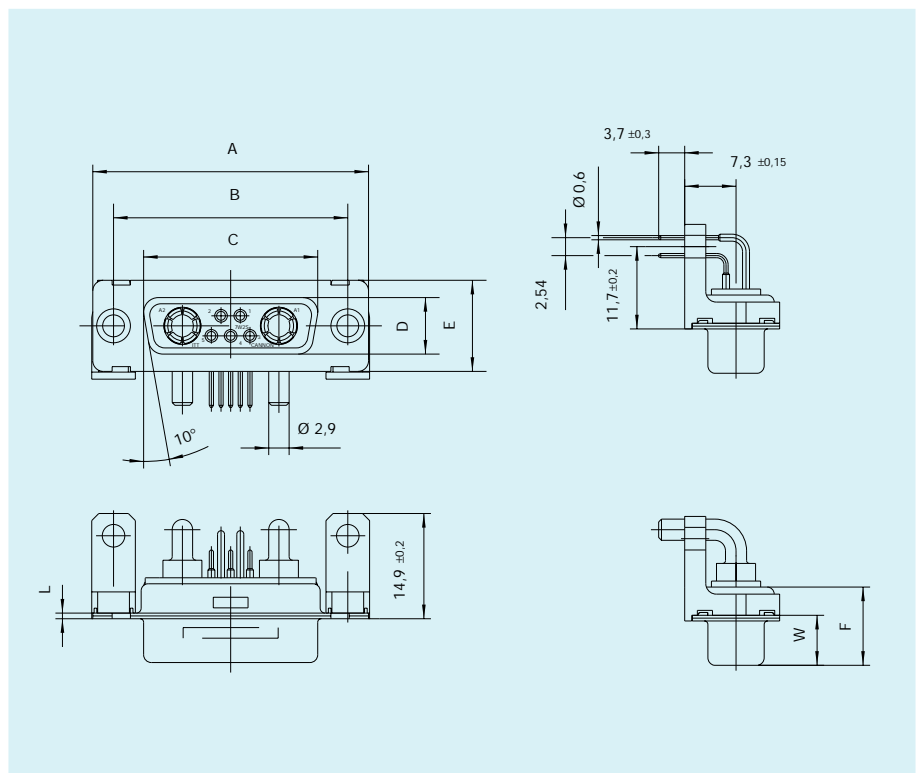
For pushfit 90° hole diameter 3,2 mm replace 146 with 162.

For captive nut 4-40 UNC replace 1ATN with 1AUN and 1APN with 1A6N.

Socket



- For contact cavity arrangements, see page 53.
- For pcb hole pattern, see page 72 – 75.
- For mounting methods, see page 86 – 87.
- For panel cut-outs, see our D Subminiature catalogue.



Dimensions

| Shell size | A | B | C | D | E | F | L | W |
|------------|-------|-------|-------|-------|-------|-------|------|------|
| | ±0,38 | ±0,13 | ±0,13 | ±0,13 | ±0,13 | ±0,25 | +0,2 | ±0,4 |
| DE | 30,8 | 16,35 | 25 | 7,9 | 12,55 | 10,9 | 0,8 | 6,95 |
| DA | 39,15 | 24,65 | 33,3 | 7,9 | 12,55 | 10,9 | 0,8 | 6,95 |
| DB | 53,05 | 38,4 | 47,05 | 7,9 | 12,55 | 10,9 | 0,8 | 6,95 |
| DC | 69,3 | 54,85 | 63,5 | 7,9 | 12,55 | 10,9 | 0,8 | 6,95 |

40 A High power 90° – European footprint, size DD, with plastic bracket

Part numbers with plastic bracket and captive nut M3

Part numbers with plastic bracket with bushing diam. 3,05

Part numbers with plastic bracket with post M3

| Shell size | Layout | P/N without pushfit | P/N with pushfit | P/N without pushfit | P/N with pushfit | P/N without pushfit | P/N with pushfit |
|------------|--------|-------------------------|-----------------------------|-------------------------|-----------------------------|-------------------------|-----------------------------|
| DD | 24W7 | DDM-24P7P-1ATN-A191-K87 | DDM-24P7P-1ATN-A191-K87-146 | DDM-24P7P-1A5N-A191-K87 | DDM-24P7P-1A5N-A191-K87-146 | DDM-24P7P-1APN-A191-K87 | DDM-24P7P-1APN-A191-K87-146 |
| DD | 36W4 | DDM-36P4P-1ATN-A191-K87 | DDM-36P4P-1ATN-A191-K87-146 | DDM-36P4P-1A5N-A191-K87 | DDM-36P4P-1A5N-A191-K87-146 | DDM-36P4P-1APN-A191-K87 | DDM-36P4P-1APN-A191-K87-146 |
| DD | 43W2 | DDM-43P2P-1ATN-A191-K87 | DDM-43P2P-1ATN-A191-K87-146 | DDM-43P2P-1A5N-A191-K87 | DDM-43P2P-1A5N-A191-K87-146 | DDM-43P2P-1APN-A191-K87 | DDM-43P2P-1APN-A191-K87-146 |
| DD | 47W1 | DDM-47P1P-1ATN-A191-K87 | DDM-47P1P-1ATN-A191-K87-146 | DDM-47P1P-1A5N-A191-K87 | DDM-47P1P-1A5N-A191-K87-146 | DDM-47P1P-1APN-A191-K87 | DDM-47P1P-1APN-A191-K87-146 |

For performance class 1 replace A191 with A190.
For performance class 3 delete A191.

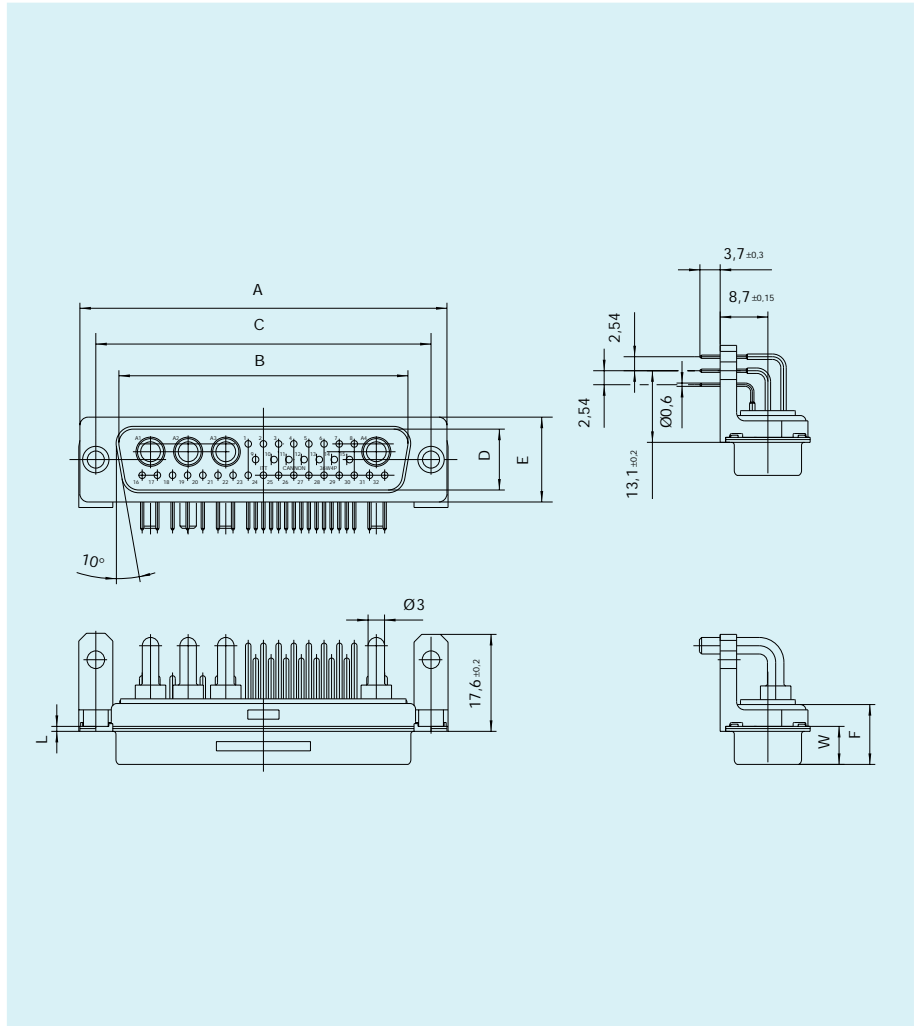
For pushfit 90° hole diameter 3,2 mm replace 146 with 162.

For captive nut 4-40 UNC replace 1ATN with 1AUN and 1APN with 1A6N.

Pin



- For contact cavity arrangements, see page 52.
- For pcb hole pattern, see page 68 – 71.
- For mounting methods, see page 86 – 87.
- For panel cut-outs, see our D Subminiature catalogue.



Dimensions

| Shell size | A | B | C | D | E | F | L | W |
|------------|-------|-------|-------|-------|-------|-------|-------|------|
| DD | ±0,38 | ±0,13 | ±0,13 | ±0,13 | ±0,13 | ±0,25 | + 0,2 | ±0,4 |
| DD | 66,95 | 52,8 | 61,1 | 11,1 | 15,4 | 10,8 | 0,9 | 6,85 |

40 A High power 90° – European footprint, size DD, with plastic bracket

Part numbers with plastic bracket and captive nut M3

Part numbers with plastic bracket with bushing diam. 3,05

Part numbers with plastic bracket with post M3

| Shell size | Layout | P/N without pushfit | P/N with pushfit | P/N without pushfit | P/N with pushfit | P/N without pushfit | P/N with pushfit |
|------------|--------|--------------------------|------------------------------|--------------------------|------------------------------|--------------------------|------------------------------|
| DD | 24W7 | DDM-24P7S-1ATN-A191-A197 | DDM-24P7S-1ATN-A191-A197-146 | DDM-24P7S-1A5N-A191-A197 | DDM-24P7S-1A5N-A191-A197-146 | DDM-24P7S-1APN-A191-A197 | DDM-24P7S-1APN-A191-A197-146 |
| DD | 36W4 | DDM-36P4S-1ATN-A191-A197 | DDM-36P4S-1ATN-A191-A197-146 | DDM-36P4S-1A5N-A191-A197 | DDM-36P4S-1A5N-A191-A197-146 | DDM-36P4S-1APN-A191-A197 | DDM-36P4S-1APN-A191-A197-146 |
| DD | 43W2 | DDM-43P2S-1ATN-A191-A197 | DDM-43P2S-1ATN-A191-A197-146 | DDM-43P2S-1A5N-A191-A197 | DDM-43P2S-1A5N-A191-A197-146 | DDM-43P2S-1APN-A191-A197 | DDM-43P2S-1APN-A191-A197-146 |
| DD | 47W1 | DDM-47P1S-1ATN-A191-A197 | DDM-47P1S-1ATN-A191-A197-146 | DDM-47P1S-1A5N-A191-A197 | DDM-47P1S-1A5N-A191-A197-146 | DDM-47P1S-1APN-A191-A197 | DDM-47P1S-1APN-A191-A197-146 |

For performance class 1 replace A191 with A190.
For performance class 3 delete A191.

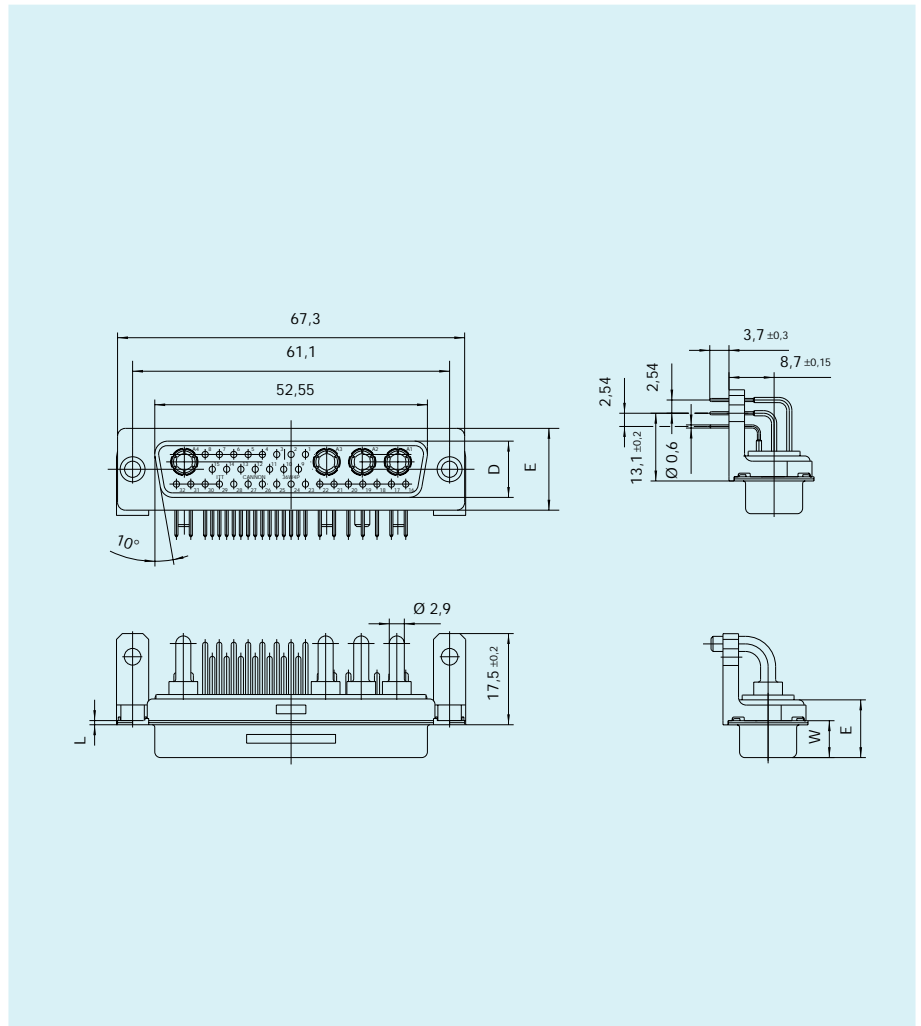
For pushfit 90° hole diameter 3,2 mm replace 146 with 162.

For captive nut 4-40 UNC replace 1ATN with 1AUN and 1APN with 1A6N.

Socket



- For contact cavity arrangements, see page 53.
- For pcb hole pattern, see page 72 – 75.
- For mounting methods, see page 86 – 87.
- For panel cut-outs, see our D Subminiature catalogue.



Dimensions

| Shell size | A | B | C | D | E | F | L | W |
|------------|-------|-------|-------|-------|-------|-------|------|------|
| | ±0,38 | ±0,13 | ±0,13 | ±0,13 | ±0,13 | ±0,25 | +0,2 | ±0,4 |
| DD | 66,95 | 52,4 | 61,1 | 10,75 | 15,4 | 10,9 | 0,8 | 6,95 |

40 A High power 90° – European footprint, sizes DE – DC, with plastic bracket and grounding bracket

Part numbers with plastic bracket with grounding bracket and captive nut M3

Part numbers with plastic bracket with grounding bracket with bushing diam. 3,05

Part numbers with plastic bracket with grounding bracket with post M3

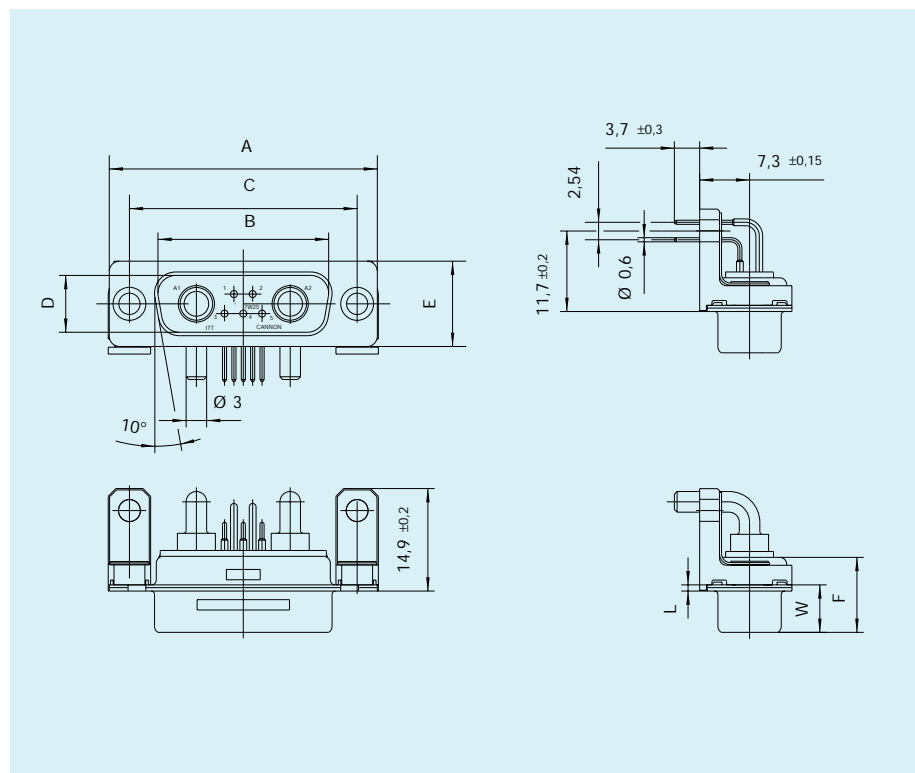
| Shell size | Layout | P/N without pushfit | P/N with pushfit | P/N without pushfit | P/N with pushfit | P/N without pushfit | P/N with pushfit |
|------------|--------|--------------------------|------------------------------|--------------------------|------------------------------|--------------------------|------------------------------|
| DE | 5W1 | DEM-5P1P-1AVN-A191-K87 | DEM-5P1P-1AVN-A191-K87-146 | DEM-5P1P-1ADN-A191-K87 | DEM-5P1P-1ADN-A191-K87-146 | DEM-5P1P-1AGN-A191-K87 | DEM-5P1P-1AGN-A191-K87-146 |
| DA | 7W2 | DAM-7P2P-1AVN-A191-K87 | DAM-7P2P-1AVN-A191-K87-146 | DAM-7P2P-1ADN-A191-K87 | DAM-7P2P-1ADN-A191-K87-146 | DAM-7P2P-1AGN-A191-K87 | DAM-7P2P-1AGN-A191-K87-146 |
| DA | 11W1 | DAM-11P1P-1AVN-A191-K87 | DAM-11P1P-1AVN-A191-K87-146 | DAM-11P1P-1ADN-A191-K87 | DAM-11P1P-1ADN-A191-K87-146 | DAM-11P1P-1AGN-A191-K87 | DAM-11P1P-1AGN-A191-K87-146 |
| DA | 3W3 | DAM-3P3P-1AVN-A191-K87 | DAM-3P3P-1AVN-A191-K87-146 | DAM-3P3P-1ADN-A191-K87 | DAM-3P3P-1ADN-A191-K87-146 | DAM-3P3P-1AGN-A191-K87 | DAM-3P3P-1AGN-A191-K87-146 |
| DA | 3WK3 | DAM-3PK3P-1AVN-A191-K87 | DAM-3PK3P-1AVN-A191-K87-146 | DAM-3PK3P-1ADN-A191-K87 | DAM-3PK3P-1ADN-A191-K87-146 | DAM-3PK3P-1AGN-A191-K87 | DAM-3PK3P-1AGN-A191-K87-146 |
| DB | 5W5 | DBM-5P5P-1AVN-A191-K87 | DBM-5P5P-1AVN-A191-K87-146 | DBM-5P5P-1ADN-A191-K87 | DBM-5P5P-1ADN-A191-K87-146 | DBM-5P5P-1AGN-A191-K87 | DBM-5P5P-1AGN-A191-K87-146 |
| DB | 9W4 | DBM-9P4P-1AVN-A191-K87 | DBM-9P4P-1AVN-A191-K87-146 | DBM-9P4P-1ADN-A191-K87 | DBM-9P4P-1ADN-A191-K87-146 | DBM-9P4P-1AGN-A191-K87 | DBM-9P4P-1AGN-A191-K87-146 |
| DB | 13W3 | DBM-13P3P-1AVN-A191-K87 | DBM-13P3P-1AVN-A191-K87-146 | DBM-13P3P-1ADN-A191-K87 | DBM-13P3P-1ADN-A191-K87-146 | DBM-13P3P-1AGN-A191-K87 | DBM-13P3P-1AGN-A191-K87-146 |
| DB | 17W2 | DBM-17P2P-1AVN-A191-K87 | DBM-17P2P-1AVN-A191-K87-146 | DBM-17P2P-1ADN-A191-K87 | DBM-17P2P-1ADN-A191-K87-146 | DBM-17P2P-1AGN-A191-K87 | DBM-17P2P-1AGN-A191-K87-146 |
| DB | 21W1 | DBM-21P1P-1AVN-A191-K87 | DBM-21P1P-1AVN-A191-K87-146 | DBM-21P1P-1ADN-A191-K87 | DBM-21P1P-1ADN-A191-K87-146 | DBM-21P1P-1AGN-A191-K87 | DBM-21P1P-1AGN-A191-K87-146 |
| DC | 8W8 | DCM-8P8P-1AVN-A191-K87 | DCM-8P8P-1AVN-A191-K87-146 | DCM-8P8P-1ADN-A191-K87 | DCM-8P8P-1ADN-A191-K87-146 | DCM-8P8P-1AGN-A191-K87 | DCM-8P8P-1AGN-A191-K87-146 |
| DC | 13W6 | DCM-13P6P-1AVN-A191-K87 | DCM-13P6P-1AVN-A191-K87-146 | DCM-13P6P-1ADN-A191-K87 | DCM-13P6P-1ADN-A191-K87-146 | DCM-13P6P-1AGN-A191-K87 | DCM-13P6P-1AGN-A191-K87-146 |
| DC | 17W5 | DCM-17P5P-1AVN-A191-K87 | DCM-17P5P-1AVN-A191-K87-146 | DCM-17P5P-1ADN-A191-K87 | DCM-17P5P-1ADN-A191-K87-146 | DCM-17P5P-1AGN-A191-K87 | DCM-17P5P-1AGN-A191-K87-146 |
| DC | 21WA4 | DCM-21PA4P-1AVN-A191-K87 | DCM-21PA4P-1AVN-A191-K87-146 | DCM-21PA4P-1ADN-A191-K87 | DCM-21PA4P-1ADN-A191-K87-146 | DCM-21PA4P-1AGN-A191-K87 | DCM-21PA4P-1AGN-A191-K87-146 |
| DC | 25W3 | DCM-25P3P-1AVN-A191-K87 | DCM-25P3P-1AVN-A191-K87-146 | DCM-25P3P-1ADN-A191-K87 | DCM-25P3P-1ADN-A191-K87-146 | DCM-25P3P-1AGN-A191-K87 | DCM-25P3P-1AGN-A191-K87-146 |
| DC | 27W2 | DCM-27P2P-1AVN-A191-K87 | DCM-27P2P-1AVN-A191-K87-146 | DCM-27P2P-1ADN-A191-K87 | DCM-27P2P-1ADN-A191-K87-146 | DCM-27P2P-1AGN-A191-K87 | DCM-27P2P-1AGN-A191-K87-146 |

For performance class 1 replace A191 with A190.
For performance class 3 delete A191.

For post 4-40 UNC thread replace 1AVN with 1AWN and 1AGN with 1AJN.

For pushfit 90° hole diameter 3,2 mm replace 146 with 162.

Pin



- For contact cavity arrangements, see page 52.
- For pcb hole pattern, see page 68 – 71.
- For mounting methods, see page 86 – 87.
- For panel cut-outs, see our D Subminiature catalogue.

Dimensions

| Shell size | A ± 0,38 | B ± 0,13 | C ± 0,13 | D ± 0,13 | E ± 0,13 | F ± 0,25 | L + 0,2 | W ± 0,4 |
|------------|-------------|-------------|-------------|-------------|-------------|-------------|------------|------------|
| DE | 30,8 | 16,9 | 25 | 8,35 | 12,55 | 10,7 | 0,8 | 6,7 |
| DA | 39,15 | 25,25 | 33,3 | 8,35 | 12,55 | 10,7 | 0,8 | 6,7 |
| DB | 53,05 | 38,95 | 47,05 | 8,35 | 12,55 | 10,8 | 0,9 | 6,8 |
| DC | 69,3 | 55,4 | 63,5 | 8,35 | 12,55 | 10,8 | 0,9 | 6,8 |

40 A High power 90° – European footprint, sizes DE – DC, with plastic bracket and grounding bracket

Part numbers with plastic bracket with grounding bracket and captive nut M3

Part numbers with plastic bracket with grounding bracket with bushing diam. 3,05

Part numbers with plastic bracket with grounding bracket with post M3

| Shell size | Layout | P/N without pushfit | P/N with pushfit | P/N without pushfit | P/N with pushfit | P/N without pushfit | P/N with pushfit |
|------------|--------|---------------------------|-------------------------------|---------------------------|-------------------------------|---------------------------|-------------------------------|
| DE | 5W1 | DEM-5P1S-1AVN-A191-A197 | DEM-5P1S-1AVN-A191-A197-146 | DEM-5P1S-1ADN-A191-A197 | DEM-5P1S-1ADN-A191-A197-146 | DEM-5P1S-1AGN-A191-A197 | DEM-5P1S-1AGN-A191-A197-146 |
| DA | 7W2 | DAM-7P2S-1AVN-A191-A197 | DAM-7P2S-1AVN-A191-A197-146 | DAM-7P2S-1ADN-A191-A197 | DAM-7P2S-1ADN-A191-A197-146 | DAM-7P2S-1AGN-A191-A197 | DAM-7P2S-1AGN-A191-A197-146 |
| DA | 11W1 | DAM-11P1S-1AVN-A191-A197 | DAM-11P1S-1AVN-A191-A197-146 | DAM-11P1S-1ADN-A191-A197 | DAM-11P1S-1ADN-A191-A197-146 | DAM-11P1S-1AGN-A191-A197 | DAM-11P1S-1AGN-A191-A197-146 |
| DA | 3W3 | DAM-3P3S-1AVN-A191-A197 | DAM-3P3S-1AVN-A191-A197-146 | DAM-3P3S-1ADN-A191-A197 | DAM-3P3S-1ADN-A191-A197-146 | DAM-3P3S-1AGN-A191-A197 | DAM-3P3S-1AGN-A191-A197-146 |
| DA | 3WK3 | DAM-3PK3S-1AVN-A191-A197 | DAM-3PK3S-1AVN-A191-A197-146 | DAM-3PK3S-1ADN-A191-A197 | DAM-3PK3S-1ADN-A191-A197-146 | DAM-3PK3S-1AGN-A191-A197 | DAM-3PK3S-1AGN-A191-A197-146 |
| DB | 5W5 | DBM-5P5S-1AVN-A191-A197 | DBM-5P5S-1AVN-A191-A197-146 | DBM-5P5S-1ADN-A191-A197 | DBM-5P5S-1ADN-A191-A197-146 | DBM-5P5S-1AGN-A191-A197 | DBM-5P5S-1AGN-A191-A197-146 |
| DB | 9W4 | DBM-9P4S-1AVN-A191-A197 | DBM-9P4S-1AVN-A191-A197-146 | DBM-9P4S-1ADN-A191-A197 | DBM-9P4S-1ADN-A191-A197-146 | DBM-9P4S-1AGN-A191-A197 | DBM-9P4S-1AGN-A191-A197-146 |
| DB | 13W3 | DBM-13P3S-1AVN-A191-A197 | DBM-13P3S-1AVN-A191-A197-146 | DBM-13P3S-1ADN-A191-A197 | DBM-13P3S-1ADN-A191-A197-146 | DBM-13P3S-1AGN-A191-A197 | DBM-13P3S-1AGN-A191-A197-146 |
| DB | 17W2 | DBM-17P2S-1AVN-A191-A197 | DBM-17P2S-1AVN-A191-A197-146 | DBM-17P2S-1ADN-A191-A197 | DBM-17P2S-1ADN-A191-A197-146 | DBM-17P2S-1AGN-A191-A197 | DBM-17P2S-1AGN-A191-A197-146 |
| DB | 21W1 | DBM-21P1S-1AVN-A191-A197 | DBM-21P1S-1AVN-A191-A197-146 | DBM-21P1S-1ADN-A191-A197 | DBM-21P1S-1ADN-A191-A197-146 | DBM-21P1S-1AGN-A191-A197 | DBM-21P1S-1AGN-A191-A197-146 |
| DC | 8W8 | DCM-8P8S-1AVN-A191-A197 | DCM-8P8S-1AVN-A191-A197-146 | DCM-8P8S-1ADN-A191-A197 | DCM-8P8S-1ADN-A191-A197-146 | DCM-8P8S-1AGN-A191-A197 | DCM-8P8S-1AGN-A191-A197-146 |
| DC | 13W6 | DCM-13P6S-1AVN-A191-A197 | DCM-13P6S-1AVN-A191-A197-146 | DCM-13P6S-1ADN-A191-A197 | DCM-13P6S-1ADN-A191-A197-146 | DCM-13P6S-1AGN-A191-A197 | DCM-13P6S-1AGN-A191-A197-146 |
| DC | 17W5 | DCM-17P5S-1AVN-A191-A197 | DCM-17P5S-1AVN-A191-A197-146 | DCM-17P5S-1ADN-A191-A197 | DCM-17P5S-1ADN-A191-A197-146 | DCM-17P5S-1AGN-A191-A197 | DCM-17P5S-1AGN-A191-A197-146 |
| DC | 21W4 | DCM-21PA4S-1AVN-A191-A197 | DCM-21PA4S-1AVN-A191-A197-146 | DCM-21PA4S-1ADN-A191-A197 | DCM-21PA4S-1ADN-A191-A197-146 | DCM-21PA4S-1AGN-A191-A197 | DCM-21PA4S-1AGN-A191-A197-146 |
| DC | 25W3 | DCM-25P3S-1AVN-A191-A197 | DCM-25P3S-1AVN-A191-A197-146 | DCM-25P3S-1ADN-A191-A197 | DCM-25P3S-1ADN-A191-A197-146 | DCM-25P3S-1AGN-A191-A197 | DCM-25P3S-1AGN-A191-A197-146 |
| DC | 27W2 | DCM-27P2S-1AVN-A191-A197 | DCM-27P2S-1AVN-A191-A197-146 | DCM-27P2S-1ADN-A191-A197 | DCM-27P2S-1ADN-A191-A197-146 | DCM-27P2S-1AGN-A191-A197 | DCM-27P2S-1AGN-A191-A197-146 |

For performance class 1 replace A191 with A190.
For performance class 3 delete A191.

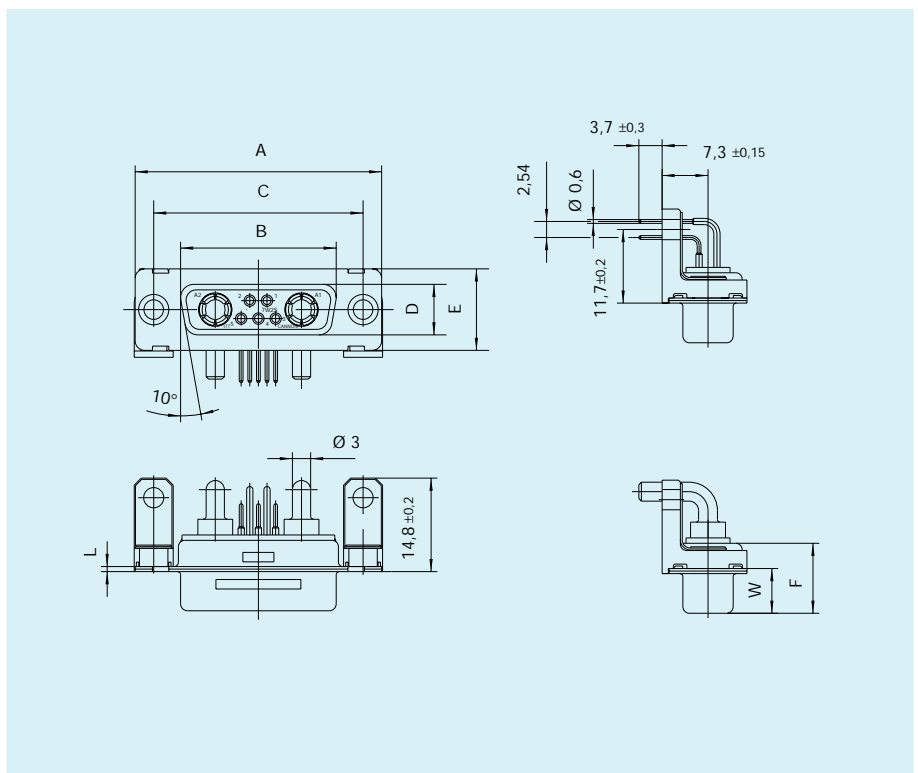
For post 4-40 UNC thread replace 1AVN with 1AWN and 1AGN with 1AJN.

For pushfit 90° hole diameter 3,2 mm replace 146 with 162.

Socket



- For contact cavity arrangements, see page 53.
- For pcb hole pattern, see page 72 – 75.
- For mounting methods, see page 86 – 87.
- For panel cut-outs, see our D Subminiature catalogue.



Dimensions

| Shell size | A | B | C | D | E | F | L | W |
|------------|--------|--------|--------|--------|--------|--------|-------|-------|
| | ± 0,38 | ± 0,13 | ± 0,13 | ± 0,13 | ± 0,13 | ± 0,25 | + 0,2 | ± 0,4 |
| DE | 30,8 | 16,35 | 25 | 7,9 | 12,55 | 10,9 | 0,8 | 6,95 |
| DA | 39,15 | 24,65 | 33,3 | 7,9 | 12,55 | 10,9 | 0,8 | 6,95 |
| DB | 53,05 | 38,4 | 47,05 | 7,9 | 12,55 | 10,9 | 0,8 | 6,95 |
| DC | 69,3 | 54,85 | 63,5 | 7,9 | 12,55 | 10,9 | 0,8 | 6,95 |

40 A High power 90° – European footprint, size DD, with plastic bracket and grounding bracket

Part numbers with plastic bracket with grounding bracket and captive nut M3

Part numbers with plastic bracket with grounding bracket with bushing diam. 3,05

Part numbers with plastic bracket with grounding bracket with post M3

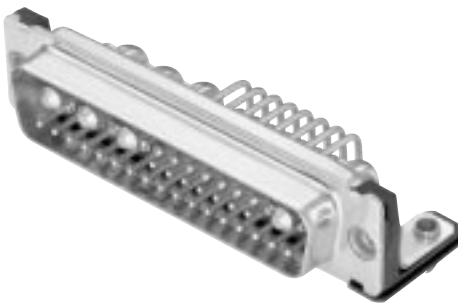
| Shell size | Layout | P/N without pushfit | P/N with pushfit | P/N without pushfit | P/N with pushfit | P/N without pushfit | P/N with pushfit |
|------------|--------|-------------------------|-----------------------------|-------------------------|-----------------------------|-------------------------|-----------------------------|
| DD | 24W7 | DDM-24P7P-1AVN-A191-K87 | DDM-24P7P-1AVN-A191-K87-146 | DDM-24P7P-1ADN-A191-K87 | DDM-24P7P-1ADN-A191-K87-146 | DDM-24P7P-1AGN-A191-K87 | DDM-24P7P-1AGN-A191-K87-146 |
| DD | 36W4 | DDM-36P4P-1AVN-A191-K87 | DDM-36P4P-1AVN-A191-K87-146 | DDM-36P4P-1ADN-A191-K87 | DDM-36P4P-1ADN-A191-K87-146 | DDM-36P4P-1AGN-A191-K87 | DDM-36P4P-1AGN-A191-K87-146 |
| DD | 43W2 | DDM-43P2P-1AVN-A191-K87 | DDM-43P2P-1AVN-A191-K87-146 | DDM-43P2P-1ADN-A191-K87 | DDM-43P2P-1ADN-A191-K87-146 | DDM-43P2P-1AGN-A191-K87 | DDM-43P2P-1AGN-A191-K87-146 |
| DD | 47W1 | DDM-47P1P-1AVN-A191-K87 | DDM-47P1P-1AVN-A191-K87-146 | DDM-47P1P-1ADN-A191-K87 | DDM-47P1P-1ADN-A191-K87-146 | DDM-47P1P-1AGN-A191-K87 | DDM-47P1P-1AGN-A191-K87-146 |

For performance class 1 replace A191 with A190.
For performance class 3 delete A191.

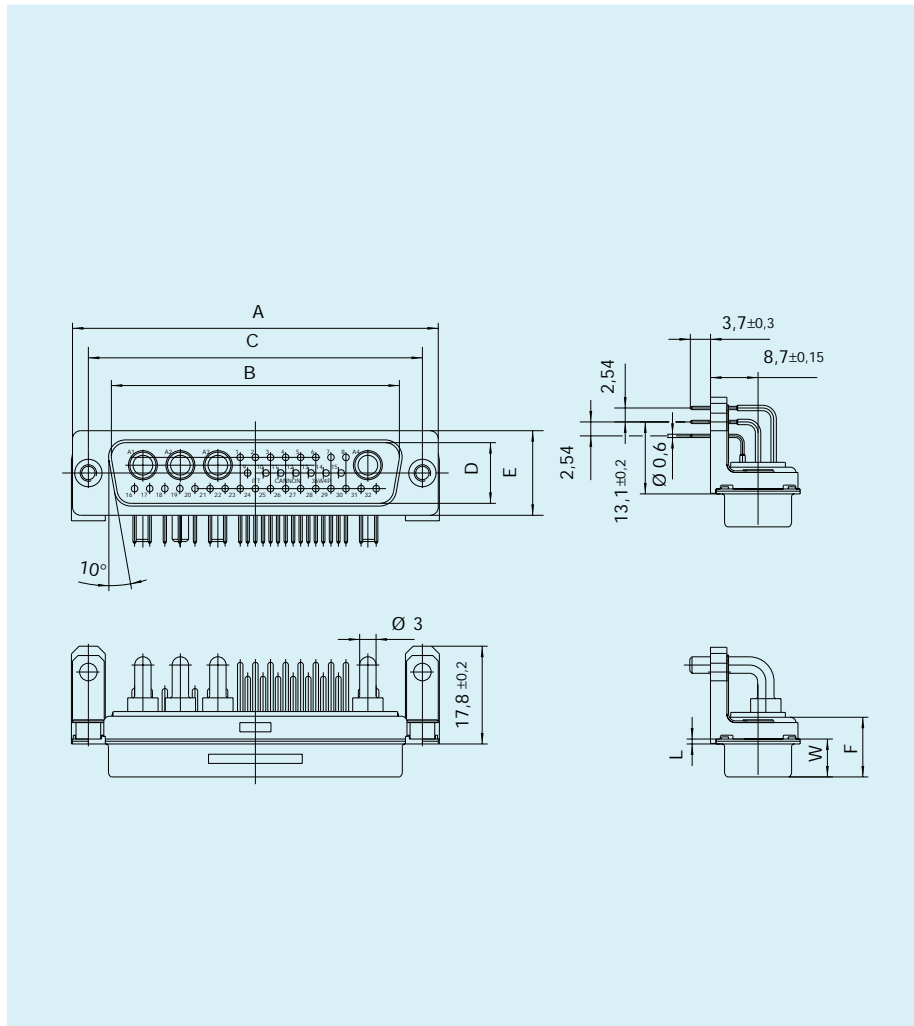
For post 4-40 UNC thread replace 1AVN with 1AWN and 1AGN with 1AJN.

For pushfit 90° hole diameter 3,2 mm replace 146 with 162.

Pin



- For contact cavity arrangements, see page 52.
- For pcb hole pattern, see page 68 – 71.
- For mounting methods, see page 86 – 87.
- For panel cut-outs, see our D Subminiature catalogue.



Dimensions

| Shell size | A | B | C | D | E | F | L | W |
|------------|-------|-------|-------|-------|-------|-------|-------|------|
| DD | ±0,38 | ±0,13 | ±0,13 | ±0,13 | ±0,13 | ±0,25 | + 0,2 | ±0,4 |
| DD | 66,95 | 52,8 | 61,1 | 11,1 | 15,4 | 10,8 | 0,9 | 6,85 |

40 A High power 90° – European footprint, size DD, with plastic bracket and grounding bracket

Part numbers with plastic bracket with grounding bracket and captive nut M3

Part numbers with plastic bracket with grounding bracket with bushing diam. 3,05

Part numbers with plastic bracket with grounding bracket with post M3

| Shell size | Layout | P/N without pushfit | P/N with pushfit | P/N without pushfit | P/N with pushfit | P/N without pushfit | P/N with pushfit |
|------------|--------|--------------------------|------------------------------|--------------------------|------------------------------|--------------------------|------------------------------|
| DD | 24W7 | DDM-24P7S-1AVN-A191-A197 | DDM-24P7S-1AVN-A191-A197-146 | DDM-24P7S-1ADN-A191-A197 | DDM-24P7S-1ADN-A191-A197-146 | DDM-24P7S-1AGN-A191-A197 | DDM-24P7S-1AGN-A191-A197-146 |
| DD | 36W4 | DDM-36P4S-1AVN-A191-A197 | DDM-36P4S-1AVN-A191-A197-146 | DDM-36P4S-1ADN-A191-A197 | DDM-36P4S-1ADN-A191-A197-146 | DDM-36P4S-1AGN-A191-A197 | DDM-36P4S-1AGN-A191-A197-146 |
| DD | 43W2 | DDM-43P2S-1AVN-A191-A197 | DDM-43P2S-1AVN-A191-A197-146 | DDM-43P2S-1ADN-A191-A197 | DDM-43P2S-1ADN-A191-A197-146 | DDM-43P2S-1AGN-A191-A197 | DDM-43P2S-1AGN-A191-A197-146 |
| DD | 47W1 | DDM-47P1S-1AVN-A191-A197 | DDM-47P1S-1AVN-A191-A197-146 | DDM-47P1S-1ADN-A191-A197 | DDM-47P1S-1ADN-A191-A197-146 | DDM-47P1S-1AGN-A191-A197 | DDM-47P1S-1AGN-A191-A197-146 |

For performance class 1 replace A191 with A190.
For performance class 3 delete A191.

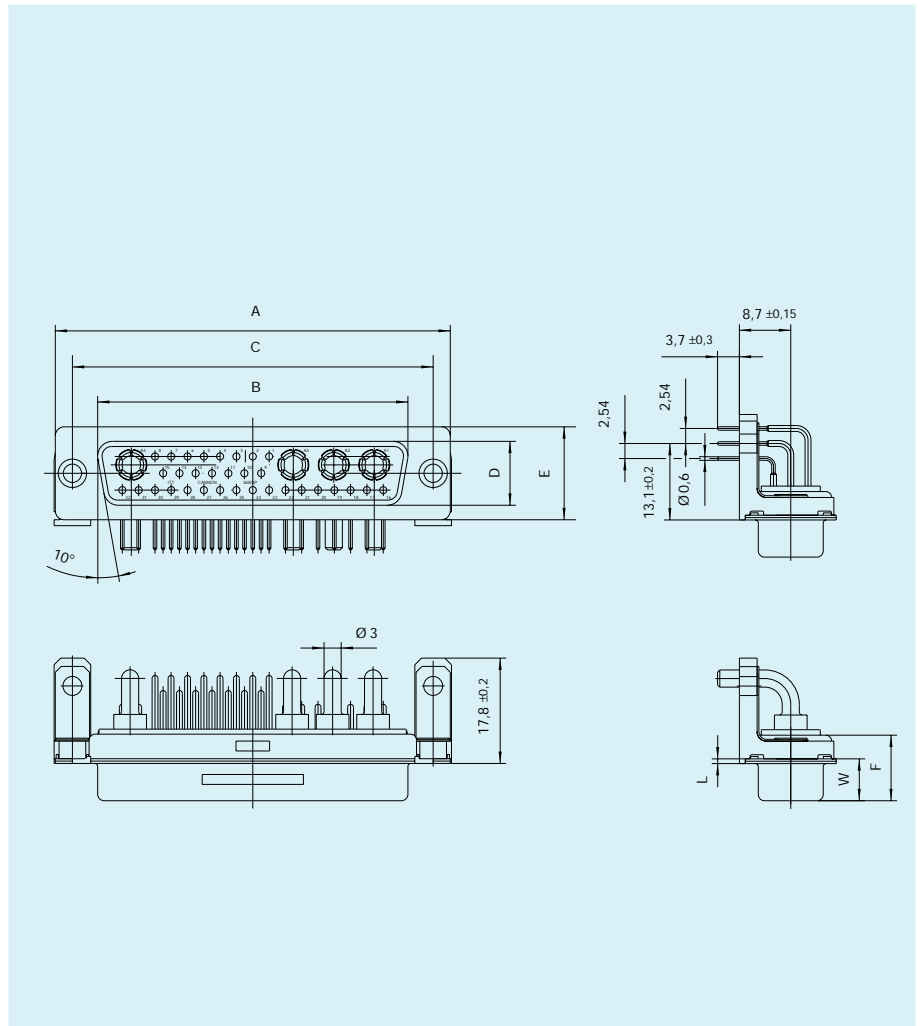
For post 4-40 UNC thread replace 1AVN with 1AWN and 1AGN with 1AJN.

For pushfit 90° hole diameter 3,2 mm replace 146 with 162.

Socket



- For contact cavity arrangements, see page 53.
- For pcb hole pattern, see page 72 – 75.
- For mounting methods, see page 86 – 87.
- For panel cut-outs, see our D Subminiature catalogue.



Dimensions

| Shell size | A | B | C | D | E | F | L | W |
|------------|-------|-------|-------|-------|-------|-------|------|------|
| | ±0,38 | ±0,13 | ±0,13 | ±0,13 | ±0,13 | ±0,25 | +0,2 | ±0,4 |
| DD | 66,95 | 52,4 | 61,1 | 10,75 | 15,4 | 10,9 | 0,8 | 6,95 |

40 A High power straight – European solder pins, sizes DE – DC

Part numbers with straight contacts

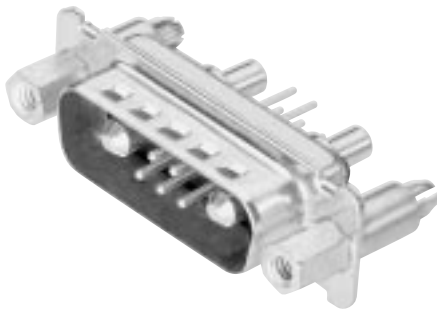
| Shell size | Layout | with standoff M3 | with standoff M3 with pushfit | standoff, M3 post and pushfit | with M3 clinch nut | with through hole 3,05 mm |
|------------|--------|--------------------------|-------------------------------|-------------------------------|--------------------------|---------------------------|
| DE | 5W1 | DEMT-5H1P-OL4-A191-K87 | DEMQ-5H1P-OL4-A191-K87 | DEMU-5H1P-OL4-A191-K87 | DEMX-5H1P-OL4-A191-K87 | DEM-5H1P-OL4-A191-K87 |
| DA | 7W2 | DAMT-7H2P-OL4-A191-K87 | DAMQ-7H2P-OL4-A191-K87 | DAMU-7H2P-OL4-A191-K87 | DAMX-7H2P-OL4-A191-K87 | DAM-7H2P-OL4-A191-K87 |
| DA | 11W1 | DAMT-11H1P-OL4-A191-K87 | DAMQ-11H1P-OL4-A191-K87 | DAMU-11H1P-OL4-A191-K87 | DAMX-11H1P-OL4-A191-K87 | DAM-11H1P-OL4-A191-K87 |
| DA | 3W3 | DAMT-3H3P-OL4-A191-K87 | DAMQ-3H3P-OL4-A191-K87 | DAMU-3H3P-OL4-A191-K87 | DAMX-3H3P-OL4-A191-K87 | DAM-3H3P-OL4-A191-K87 |
| DA | 3WK3 | DAMT-3HK3P-OL4-A191-K87 | DAMQ-3HK3P-OL4-A191-K87 | DAMU-3HK3P-OL4-A191-K87 | DAMX-3HK3P-OL4-A191-K87 | DAM-3HK3P-OL4-A191-K87 |
| DB | 5W5 | DBMT-5H5P-OL4-A191-K87 | DBMQ-5H5P-OL4-A191-K87 | DBMU-5H5P-OL4-A191-K87 | DBMX-5H5P-OL4-A191-K87 | DBM-5H5P-OL4-A191-K87 |
| DB | 9W4 | DBMT-9H4P-OL4-A191-K87 | DBMQ-9H4P-OL4-A191-K87 | DBMU-9H4P-OL4-A191-K87 | DBMX-9H4P-OL4-A191-K87 | DBM-9H4P-OL4-A191-K87 |
| DB | 13W3 | DBMT-13H3P-OL4-A191-K87 | DBMQ-13H3P-OL4-A191-K87 | DBMU-13H3P-OL4-A191-K87 | DBMX-13H3P-OL4-A191-K87 | DBM-13H3P-OL4-A191-K87 |
| DB | 17W2 | DBMT-17H2P-OL4-A191-K87 | DBMQ-17H2P-OL4-A191-K87 | DBMU-17H2P-OL4-A191-K87 | DBMX-17H2P-OL4-A191-K87 | DBM-17H2P-OL4-A191-K87 |
| DB | 21W1 | DBMT-21H1P-OL4-A191-K87 | DBMQ-21H1P-OL4-A191-K87 | DBMU-21H1P-OL4-A191-K87 | DBMX-21H1P-OL4-A191-K87 | DBM-21H1P-OL4-A191-K87 |
| DC | 8W8 | DCMT-8H8P-OL4-A191-K87 | DCMQ-8H8P-OL4-A191-K87 | DCMU-8H8P-OL4-A191-K87 | DCMX-8H8P-OL4-A191-K87 | DCM-8H8P-OL4-A191-K87 |
| DC | 13W6 | DCMT-13H6P-OL4-A191-K87 | DCMQ-13H6P-OL4-A191-K87 | DCMU-13H6P-OL4-A191-K87 | DCMX-13H6P-OL4-A191-K87 | DCM-13H6P-OL4-A191-K87 |
| DC | 17W5 | DCMT-17H5P-OL4-A191-K87 | DCMQ-17H5P-OL4-A191-K87 | DCMU-17H5P-OL4-A191-K87 | DCMX-17H5P-OL4-A191-K87 | DCM-17H5P-OL4-A191-K87 |
| DC | 21WA4 | DCMT-21HA4P-OL4-A191-K87 | DCMQ-21HA4P-OL4-A191-K87 | DCMU-21HA4P-OL4-A191-K87 | DCMX-21HA4P-OL4-A191-K87 | DCM-21HA4P-OL4-A191-K87 |
| DC | 25W3 | DCMT-25H3P-OL4-A191-K87 | DCMQ-25H3P-OL4-A191-K87 | DCMU-25H3P-OL4-A191-K87 | DCMX-25H3P-OL4-A191-K87 | DCM-25H3P-OL4-A191-K87 |
| DC | 27W2 | DCMT-27H2P-OL4-A191-K87 | DCMQ-27H2P-OL4-A191-K87 | DCMU-27H2P-OL4-A191-K87 | DCMX-27H2P-OL4-A191-K87 | DCM-27H2P-OL4-A191-K87 |

For performance class 1 replace A191 with A190.
For performance class 3 delete A191.

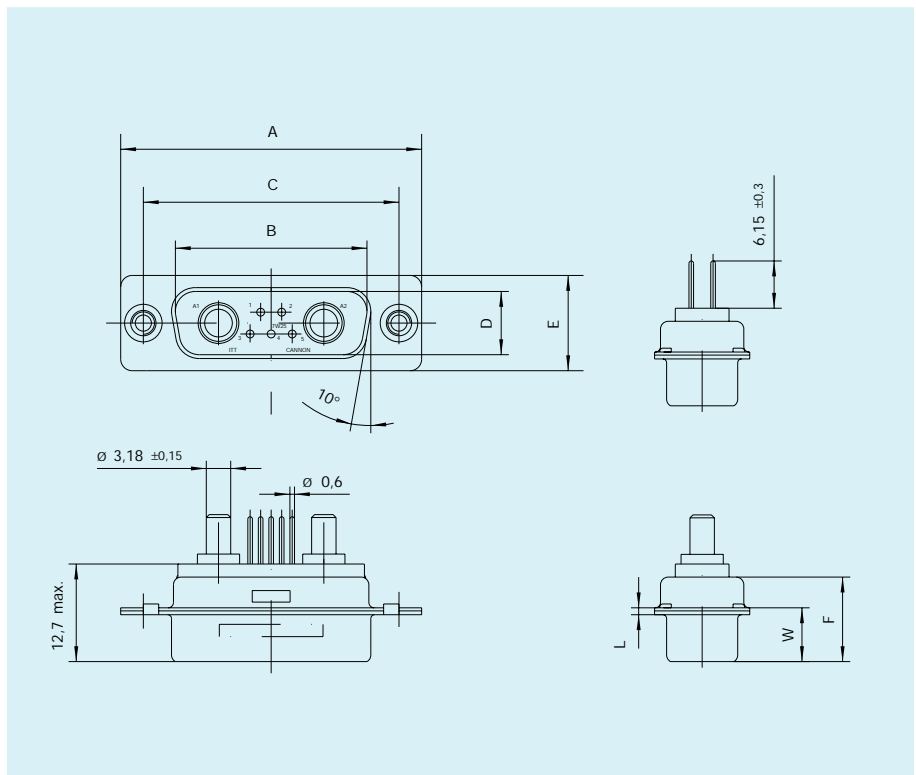
For standoff 4-40 UNC thread replace T with V.
For standoff, 4-40 UNC thread post and pushfit replace U with N.

For 4-40 UNC thread standoff with pushfit replace Q with Z.
For captive nut 4-40 UNC replace X with E.

Pin



- For contact cavity arrangements, see page 52.
- For pcb hole pattern, see page 68 – 71.
- For mounting methods, see page 86 – 87.
- For panel cut-outs, see our D Subminiature catalogue.



Dimensions

| Shell size | A ± 0,38 | B ± 0,13 | C ± 0,13 | D ± 0,13 | E ± 0,13 | F ± 0,25 | L + 0,2 | W ± 0,4 |
|------------|-------------|-------------|-------------|-------------|-------------|-------------|------------|------------|
| DE | 30,8 | 16,9 | 25 | 8,35 | 12,55 | 10,7 | 0,8 | 6,7 |
| DA | 39,15 | 25,25 | 33,3 | 8,35 | 12,55 | 10,7 | 0,8 | 6,7 |
| DB | 53,05 | 38,95 | 47,05 | 8,35 | 12,55 | 10,8 | 0,9 | 6,8 |
| DC | 69,3 | 55,4 | 63,5 | 8,35 | 12,55 | 10,8 | 0,9 | 6,8 |

40 A High power straight – European solder pins, sizes DE – DC

Part numbers with straight contacts

| Shell size | Layout | with standoff M3 | with standoff M3 with pushfit | standoff, M3 post and pushfit | with M3 clinch nut | with through hole 3,05 mm |
|------------|--------|---------------------------|-------------------------------|-------------------------------|---------------------------|---------------------------|
| DE | 5W1 | DEMT-5H1S-OL4-A191-A197 | DEMQ-5H1S-OL4-A191-A197 | DEMU-5H1S-OL4-A191-A197 | DEMX-5H1S-OL4-A191-A197 | DEM-5H1S-OL4-A191-A197 |
| DA | 7W2 | DAMT-7H2S-OL4-A191-A197 | DAMQ-7H2S-OL4-A191-A197 | DAMU-7H2S-OL4-A191-A197 | DAMX-7H2S-OL4-A191-A197 | DAM-7H2S-OL4-A191-A197 |
| DA | 11W1 | DAMT-11H1S-OL4-A191-A197 | DAMQ-11H1S-OL4-A191-A197 | DAMU-11H1S-OL4-A191-A197 | DAMX-11H1S-OL4-A191-A197 | DAM-11H1S-OL4-A191-A197 |
| DA | 3W3 | DAMT-3H3S-OL4-A191-A197 | DAMQ-3H3S-OL4-A191-A197 | DAMU-3H3S-OL4-A191-A197 | DAMX-3H3S-OL4-A191-A197 | DAM-3H3S-OL4-A191-A197 |
| DA | 3WK3 | DAMT-3HK3S-OL4-A191-A197 | DAMQ-3HK3S-OL4-A191-A197 | DAMU-3HK3S-OL4-A191-A197 | DAMX-3HK3S-OL4-A191-A197 | DAM-3HK3S-OL4-A191-A197 |
| DB | 5W5 | DBMT-5H5S-OL4-A191-A197 | DBMQ-5H5S-OL4-A191-A197 | DBMU-5H5S-OL4-A191-A197 | DBMX-5H5S-OL4-A191-A197 | DBM-5H5S-OL4-A191-A197 |
| DB | 9W4 | DBMT-9H4S-OL4-A191-A197 | DBMQ-9H4S-OL4-A191-A197 | DBMU-9H4S-OL4-A191-A197 | DBMX-9H4S-OL4-A191-A197 | DBM-9H4S-OL4-A191-A197 |
| DB | 13W3 | DBMT-13H3S-OL4-A191-A197 | DBMQ-13H3S-OL4-A191-A197 | DBMU-13H3S-OL4-A191-A197 | DBMX-13H3S-OL4-A191-A197 | DBM-13H3S-OL4-A191-A197 |
| DB | 17W2 | DBMT-17H2S-OL4-A191-A197 | DBMQ-17H2S-OL4-A191-A197 | DBMU-17H2S-OL4-A191-A197 | DBMX-17H2S-OL4-A191-A197 | DBM-17H2S-OL4-A191-A197 |
| DB | 21W1 | DBMT-21H1S-OL4-A191-A197 | DBMQ-21H1S-OL4-A191-A197 | DBMU-21H1S-OL4-A191-A197 | DBMX-21H1S-OL4-A191-A197 | DBM-21H1S-OL4-A191-A197 |
| DC | 8W8 | DCMT-8H8S-OL4-A191-A197 | DCMQ-8H8S-OL4-A191-A197 | DCMU-8H8S-OL4-A191-A197 | DCMX-8H8S-OL4-A191-A197 | DCM-8H8S-OL4-A191-A197 |
| DC | 13W6 | DCMT-13H6S-OL4-A191-A197 | DCMQ-13H6S-OL4-A191-A197 | DCMU-13H6S-OL4-A191-A197 | DCMX-13H6S-OL4-A191-A197 | DCM-13H6S-OL4-A191-A197 |
| DC | 17W5 | DCMT-17H5S-OL4-A191-A197 | DCMQ-17H5S-OL4-A191-A197 | DCMU-17H5S-OL4-A191-A197 | DCMX-17H5S-OL4-A191-A197 | DCM-17H5S-OL4-A191-A197 |
| DC | 21WA4 | DCMT-21HA4S-OL4-A191-A197 | DCMQ-21HA4S-OL4-A191-A197 | DCMU-21HA4S-OL4-A191-A197 | DCMX-21HA4S-OL4-A191-A197 | DCM-21HA4S-OL4-A191-A197 |
| DC | 25W3 | DCMT-25H3S-OL4-A191-A197 | DCMQ-25H3S-OL4-A191-A197 | DCMU-25H3S-OL4-A191-A197 | DCMX-25H3S-OL4-A191-A197 | DCM-25H3S-OL4-A191-A197 |
| DC | 27W2 | DCMT-27H2S-OL4-A191-A197 | DCMQ-27H2S-OL4-A191-A197 | DCMU-27H2S-OL4-A191-A197 | DCMX-27H2S-OL4-A191-A197 | DCM-27H2S-OL4-A191-A197 |

For performance class 1 replace A191 with A190.
For performance class 3 delete A191.

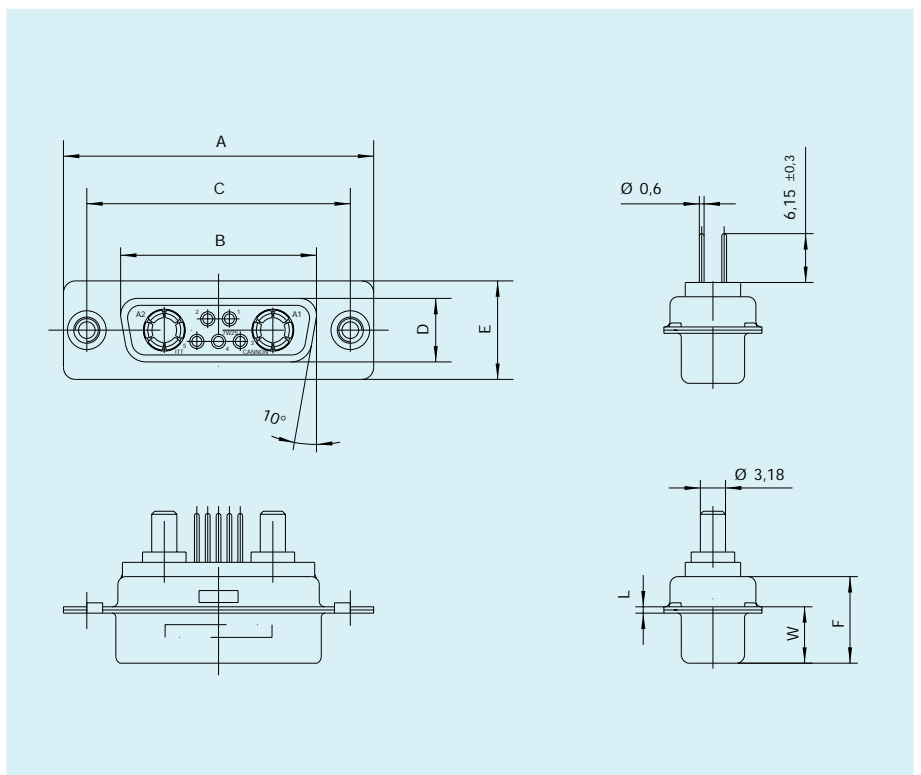
For standoff 4-40 UNC thread replace T with V.
For standoff, 4-40 UNC thread post and pushfit replace U with N.

For 4-40 UNC thread standoff with pushfit replace Q with Z.
For captive nut 4-40 UNC replace X with E.

Socket



- For contact cavity arrangements, see page 53.
- For pcb hole pattern, see page 72 – 75.
- For mounting methods, see page 86 – 87.
- For panel cut-outs, see our D Subminiature catalogue.



Dimensions

| Shell size | A | B | C | D | E | F | L | W |
|------------|--------|--------|--------|--------|--------|--------|-------|-------|
| | ± 0,38 | ± 0,13 | ± 0,13 | ± 0,13 | ± 0,13 | ± 0,25 | + 0,2 | ± 0,4 |
| DE | 30,8 | 16,35 | 25 | 7,9 | 12,55 | 10,9 | 0,8 | 6,95 |
| DA | 39,15 | 24,65 | 33,3 | 7,9 | 12,55 | 10,9 | 0,8 | 6,95 |
| DB | 53,05 | 38,4 | 47,05 | 7,9 | 12,55 | 10,9 | 0,8 | 6,95 |
| DC | 69,3 | 54,85 | 63,5 | 7,9 | 12,55 | 10,9 | 0,8 | 6,95 |

40 A High power straight – European solder pins, size DD

Part numbers with straight contacts

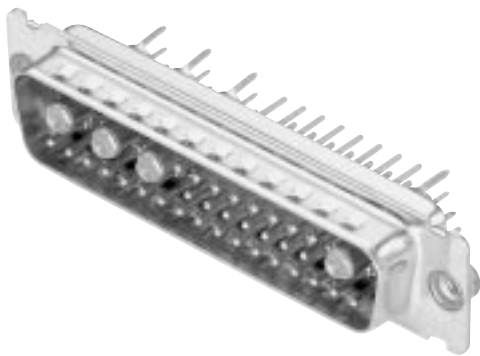
| Shell size | Layout | with standoff M3 | with standoff M3 with pushfit | standoff, M3 post and pushfit | with M3 clinch nut | with through hole 3,05 mm |
|------------|--------|-------------------------|-------------------------------|-------------------------------|-------------------------|---------------------------|
| DD | 24W7 | DDMT-24H7P-OL4-A191-K87 | DDMQ-24H7P-OL4-A191-K87 | DDMU-24H7P-OL4-A191-K87 | DDMX-24H7P-OL4-A191-K87 | DDM-24H7P-OL4-A191-K87 |
| DD | 36W4 | DDMT-36H4P-OL4-A191-K87 | DDMQ-36H4P-OL4-A191-K87 | DDMU-36H4P-OL4-A191-K87 | DDMX-36H4P-OL4-A191-K87 | DDM-36H4P-OL4-A191-K87 |
| DD | 43W2 | DDMT-43H2P-OL4-A191-K87 | DDMQ-43H2P-OL4-A191-K87 | DDMU-43H2P-OL4-A191-K87 | DDMX-43H2P-OL4-A191-K87 | DDM-43H2P-OL4-A191-K87 |
| DD | 47W1 | DDMT-47H1P-OL4-A191-K87 | DDMQ-47H1P-OL4-A191-K87 | DDMU-47H1P-OL4-A191-K87 | DDMX-47H1P-OL4-A191-K87 | DDM-47H1P-OL4-A191-K87 |

For performance class 1 replace A191 with A190.
For performance class 3 delete A191.

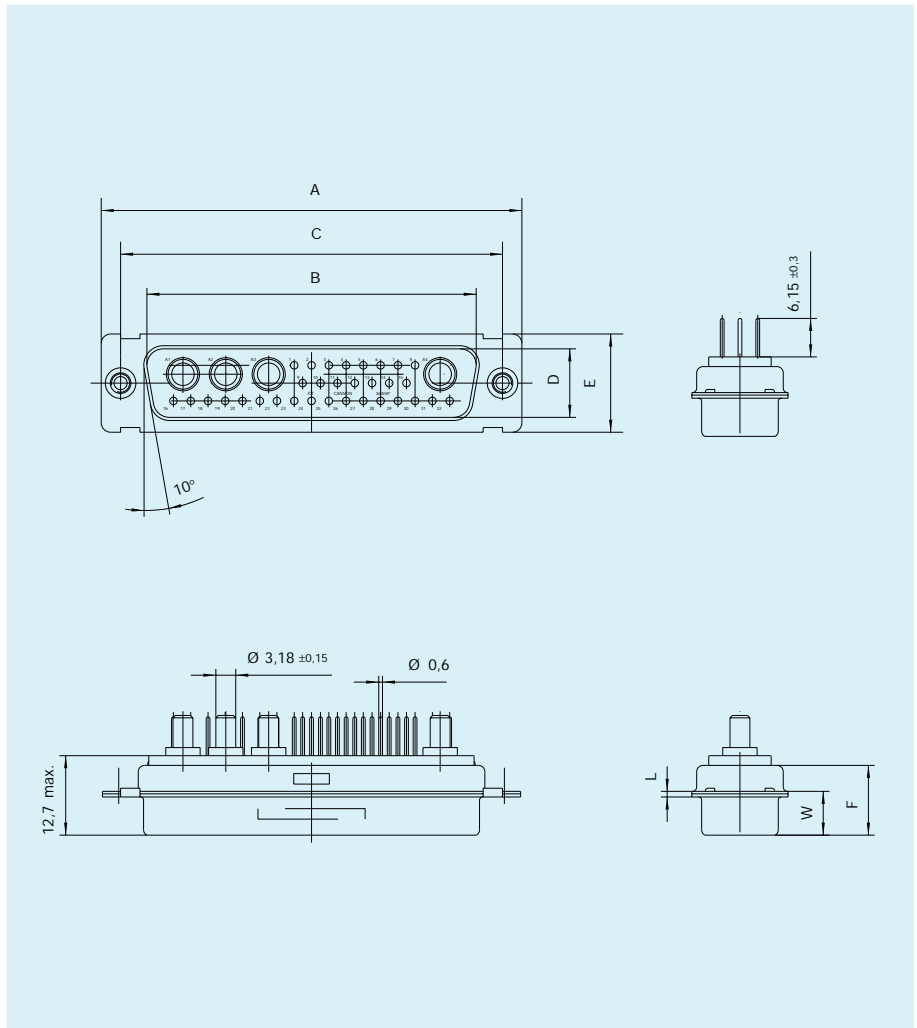
For standoff 4-40 UNC thread replace T with V.
For standoff, 4-40 UNC thread post and pushfit replace U with N.

For 4-40 UNC thread standoff with pushfit replace Q with Z.
For captive nut 4-40 UNC replace X with E.

Pin



- For contact cavity arrangements, see page 52.
- For pcb hole pattern, see page 68 – 71.
- For mounting methods, see page 86 – 87.
- For panel cut-outs, see our D Subminiature catalogue.



Dimensions

| Shell size | A | B | C | D | E | F | L | W |
|------------|--------|--------|--------|--------|--------|--------|-------|-------|
| | ± 0,38 | ± 0,13 | ± 0,13 | ± 0,13 | ± 0,13 | ± 0,25 | + 0,2 | ± 0,4 |
| DD | 66,95 | 52,8 | 61,1 | 11,1 | 15,4 | 10,8 | 0,9 | 6,85 |

40 A High power straight – European solder pins, size DD

Part numbers with straight contacts

| Shell size | Layout | with standoff M3 | with standoff M3 with pushfit | standoff, M3 post and pushfit | with M3 clinch nut | with through hole 3,05 mm |
|------------|--------|--------------------------|-------------------------------|-------------------------------|--------------------------|---------------------------|
| DD | 24W7 | DDMT-24H7S-OL4-A191-A197 | DDMQ-24H7S-OL4-A191-A197 | DDMU-24H7S-OL4-A191-A197 | DDMX-24H7S-OL4-A191-A197 | DDM-24H7S-OL4-A191-A197 |
| DD | 36W4 | DDMT-36H4S-OL4-A191-A197 | DDMQ-36H4S-OL4-A191-A197 | DDMU-36H4S-OL4-A191-A197 | DDMX-36H4S-OL4-A191-A197 | DDM-36H4S-OL4-A191-A197 |
| DD | 43W2 | DDMT-43H2S-OL4-A191-A197 | DDMQ-43H2S-OL4-A191-A197 | DDMU-43H2S-OL4-A191-A197 | DDMX-43H2S-OL4-A191-A197 | DDM-43H2S-OL4-A191-A197 |
| DD | 47W1 | DDMT-47H1S-OL4-A191-A197 | DDMQ-47H1S-OL4-A191-A197 | DDMU-47H1S-OL4-A191-A197 | DDMX-47H1S-OL4-A191-A197 | DDM-47H1S-OL4-A191-A197 |

For performance class 1 replace A191 with A190.
For performance class 3 delete A191.

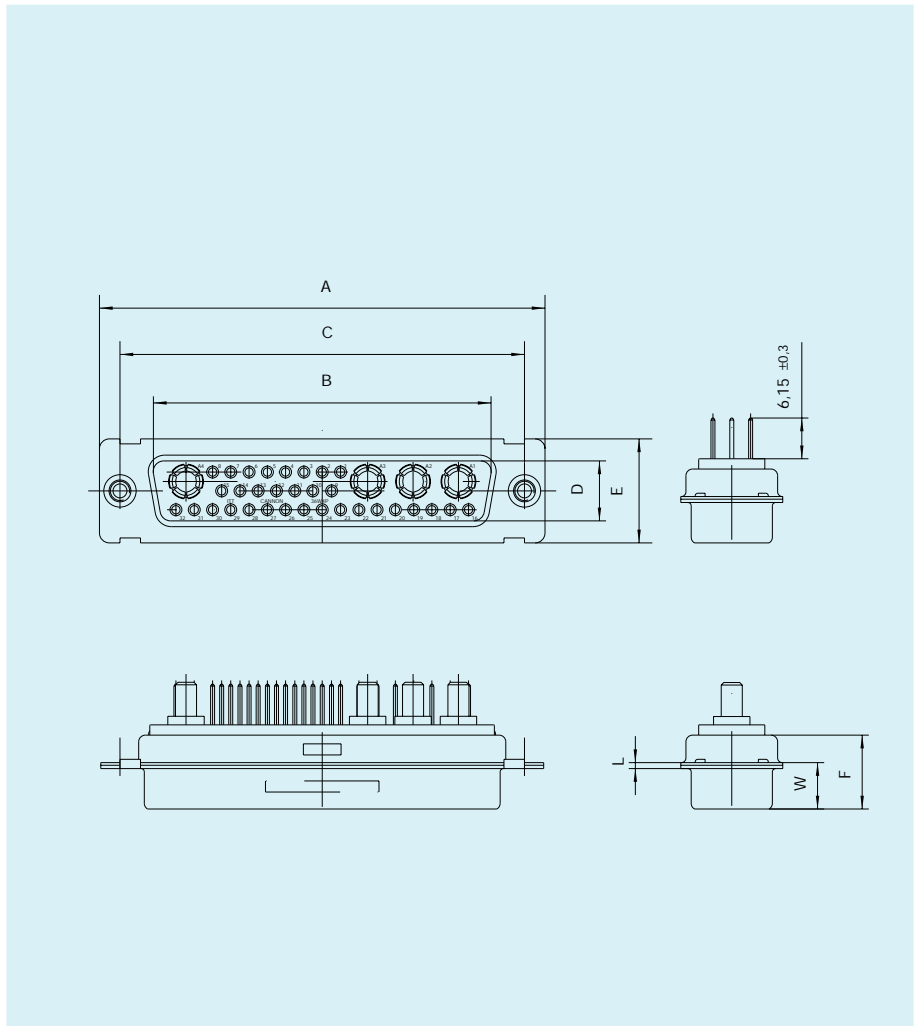
For standoff 4-40 UNC thread replace T with V.
For standoff, 4-40 UNC thread post and pushfit replace U with N.

For 4-40 UNC thread standoff with pushfit replace Q with Z.
For captive nut 4-40 UNC replace X with E.

Socket



- For contact cavity arrangements, see page 53.
- For pcb hole pattern, see page 72 – 75.
- For mounting methods, see page 86 – 87.
- For panel cut-outs, see our D Subminiature catalogue.



Dimensions

| Shell size | A | B | C | D | E | F | L | W |
|------------|-------|-------|-------|-------|-------|-------|-------|------|
| | ±0,38 | ±0,13 | ±0,13 | ±0,13 | ±0,13 | ±0,25 | + 0,2 | ±0,4 |
| DD | 66,95 | 52,4 | 61,1 | 10,75 | 15,4 | 10,9 | 0,8 | 6,95 |

40 A High Power, Pressfit Termination

Pin



- For contact cavity arrangements, see page 52.
- For pcb hole pattern, see page 84.
- For mounting methods, see page 86 – 87.
- For panel cut-outs, see our D Subminiature catalogue.
- For press in tooling see page 90.

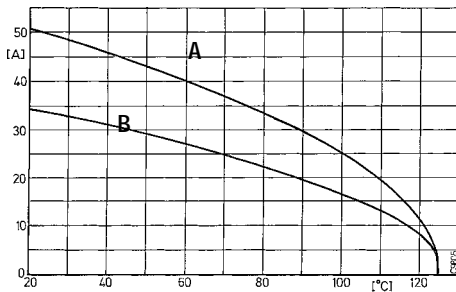
Electrical Data

Insulation resistance
 $\approx 1 \times 10^{10} \text{ W} / 100 \text{ V}$

Contact resistance
 1 mW

Dielectric Withstanding Voltage
 1000 VAC (sea level)

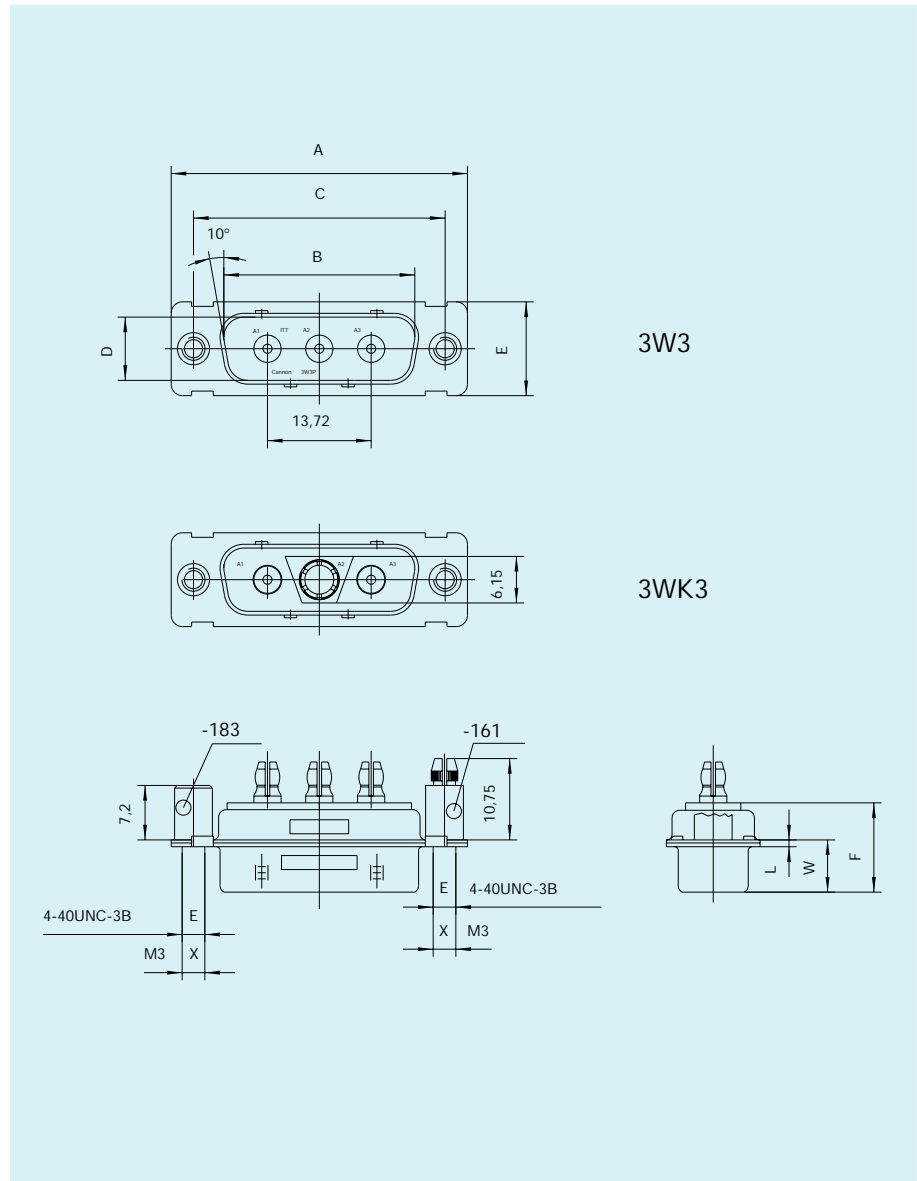
Current Load



A – Multilayer 6 x 35 μm x 4,5 mm
 B – Double layer 2 x 35 μm x 4,5 mm

Part Numbers

| Boardlock M3 | Boardlock 4-40 UNC | Stand-off M3 | Stand-off 4-40 |
|-----------------------|----------------------|-----------------------|-----------------------|
| DAMX-3W3P-PO-K87-161 | DAME3W3P-PO-K87-161 | DAMX-3W3P-PO-K87-183 | DAME-3W3P-PO-K87-183 |
| DAMX-3WK3P-PO-K87-161 | DAME3WK3P-PO-K87-161 | DAMX-3WK3P-PO-K87-183 | DAME-3WK3P-PO-K87-183 |
| DBMX-5W5P-PO-K87-161 | DBME5W5P-PO-K87-161 | DBMX-5W5P-PO-K87-183 | DBME-5W5P-PO-K87-183 |
| DCMX-8W8P-PO-K87-161 | DCME8W8P-PO-K87-161 | DCMX-8W8P-PO-K87-183 | DCME-8W8P-PO-K87-183 |



Dimensions

| Shell size | A | B | C | D | E | F | L | W |
|------------|------------|------------|------------|------------|------------|------------|-------|-----------|
| DA | $\pm 0,38$ | $\pm 0,13$ | $\pm 0,13$ | $\pm 0,13$ | $\pm 0,38$ | $\pm 0,25$ | + 0,2 | $\pm 0,4$ |
| DB | 39,15 | 25,25 | 33,3 | 8,35 | 12,55 | 10,7 | 0,8 | 6,7 |
| DC | 53,05 | 38,95 | 47,05 | 8,35 | 12,55 | 10,7 | 0,9 | 6,8 |
| DC | 69,3 | 55,4 | 63,5 | 8,35 | 12,55 | 10,7 | 0,9 | 6,8 |

40 A High Power, Pressfit Termination

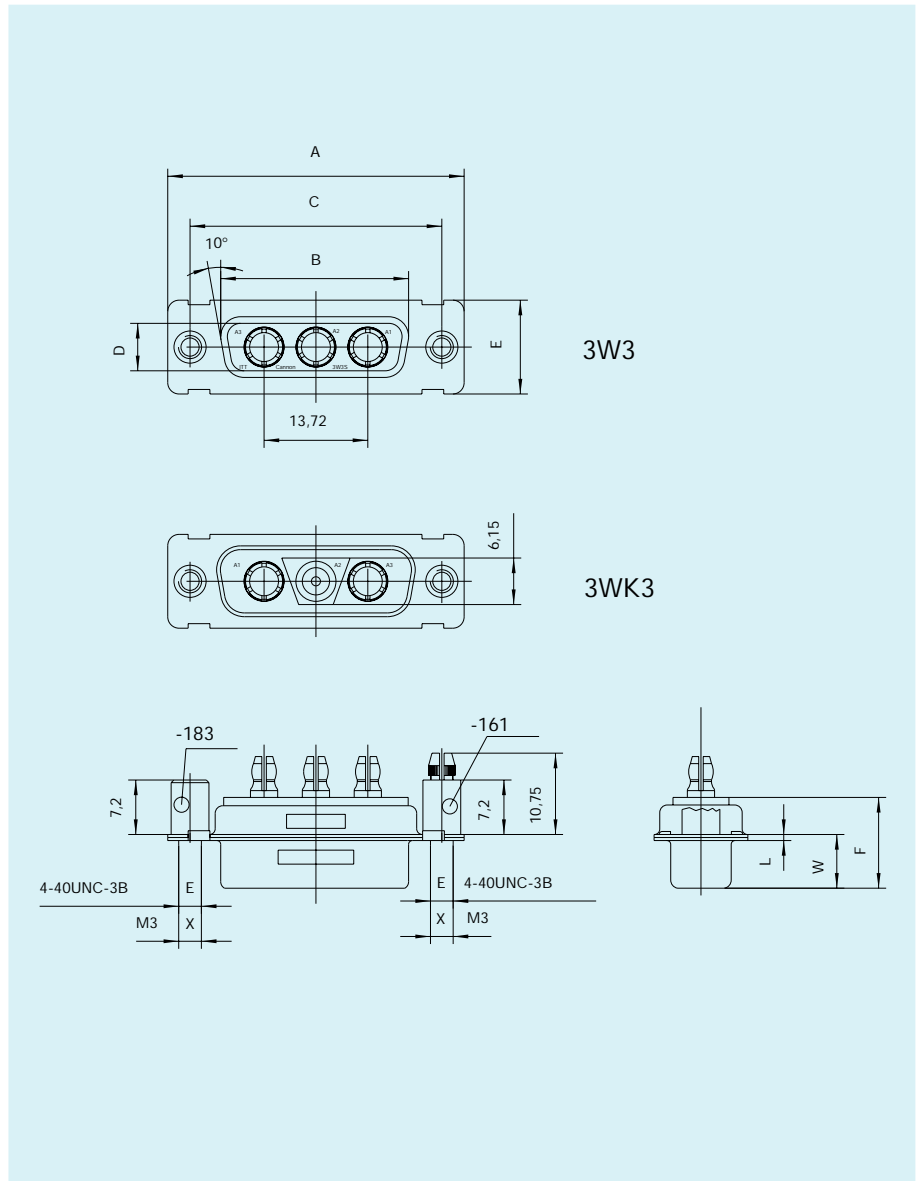
Socket



- For contact cavity arrangements, see page 53.
- For pcb hole pattern, see page 85.
- For mounting methods, see page 86 – 87.
- For panel cut-outs, see our D Subminiature catalogue.
- For press in tooling see page 90.

Part Numbers

| Boardlock M3 | Boardlock 4-40 UNC | Stand-off M3 | Stand-off 4-40 |
|------------------------|-----------------------|------------------------|------------------------|
| DAMX-3W3S-PO-A197-161 | DAME3W3S-PO-A197-161 | DAMX-3W3S-PO-A197-183 | DAME-3W3S-PO-A197-183 |
| DAMX-3WK3S-PO-A197-161 | DAME3WK3S-PO-A197-161 | DAMX-3WK3S-PO-A197-183 | DAME-3WK3S-PO-A197-183 |
| DBMX-5W5S-PO-A197-161 | DBME5W5S-PO-A197-161 | DBMX-5W5S-PO-A197-183 | DBME-5W5S-PO-A197-183 |
| DCMX-8W8S-PO-A197-161 | DCME8W8S-PO-A197-161 | DCMX-8W8S-PO-A197-183 | DCME-8W8S-PO-A197-183 |



Dimensions

| Shell size | A | B | C | D | E | F | L | W |
|------------|-------|-------|-------|-------|-------|-------|------|------|
| | ±0,38 | ±0,13 | ±0,13 | ±0,13 | ±0,38 | ±0,25 | +0,2 | ±0,4 |
| DA | 39,15 | 24,65 | 33,3 | 7,9 | 12,55 | 10,9 | 0,8 | 6,95 |
| DB | 53,05 | 38,4 | 47,05 | 7,9 | 12,55 | 10,9 | 0,8 | 6,95 |
| DC | 69,3 | 54,85 | 63,5 | 7,9 | 12,55 | 10,9 | 0,8 | 6,95 |

Solder pin 90° – European footprint, sizes DE – DC, with empty size 8 cavities, with different brackets

Part numbers with metal bracket and captive nut M3

Part numbers with plastic bracket and captive nut M3

Part numbers with plastic bracket with grounding bracket and captive nut M3

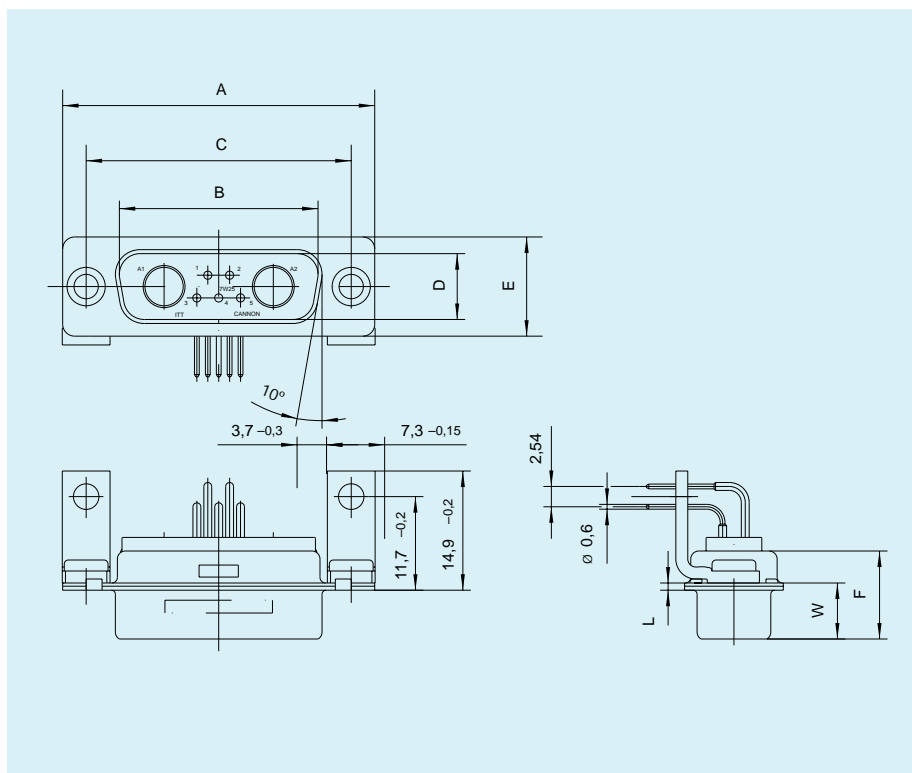
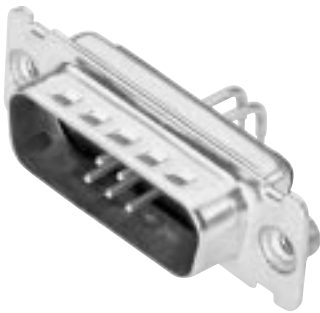
| Shell size | Layout | P/N without pushfit | P/N with mounting hole diameter 3,2 and pushfit | P/N without pushfit | P/N with mounting hole diameter 3,2 and pushfit | P/N without pushfit | P/N with mounting hole diameter 3,2 and pushfit |
|------------|--------|--------------------------|---|--------------------------|---|--------------------------|---|
| DE | 5W1 | DEM-5W1P-1A9N-A191-K87 | DEM-5W1P-1A9N-A191-K87-146 | DEM-5W1P-1ATN-A191-K87 | DEM-5W1P-1ATN-A191-K87-146 | DEM-5W1P-1AVN-A191-K87 | DEM-5W1P-1AVN-A191-K87-146 |
| DA | 7W2 | DAM-7W2P-1A9N-A191-K87 | DAM-7W2P-1A9N-A191-K87-146 | DAM-7W2P-1ATN-A191-K87 | DAM-7W2P-1ATN-A191-K87-146 | DAM-7W2P-1AVN-A191-K87 | DAM-7W2P-1AVN-A191-K87-146 |
| DA | 11W1 | DAM-11W1P-1A9N-A191-K87 | DAM-11W1P-1A9N-A191-K87-146 | DAM-11W1P-1ATN-A191-K87 | DAM-11W1P-1ATN-A191-K87-146 | DAM-11W1P-1AVN-A191-K87 | DAM-11W1P-1AVN-A191-K87-146 |
| DA | 3W3 | DAM-3W3P-1A9N-K87 | DAM-3W3P-1A9N-K87-146 | DAM-3W3P-1ATN-K87 | DAM-3W3P-1ATN-K87-146 | DAM-3W3P-1AVN-K87 | DAM-3W3P-1AVN-K87-146 |
| DA | 3WK3 | DAM-3WK3P-1A9N-K87 | DAM-3WK3P-1A9N-K87-146 | DAM-3WK3P-1ATN-K87 | DAM-3WK3P-1ATN-K87-146 | DAM-3WK3P-1AVN-K87 | DAM-3WK3P-1AVN-K87-146 |
| DB | 5W5 | DBM-5W5P-1A9N-K87 | DBM-5W5P-1A9N-K87-146 | DBM-5W5P-1ATN-K87 | DBM-5W5P-1ATN-K87-146 | DBM-5W5P-1AVN-K87 | DBM-5W5P-1AVN-K87-146 |
| DB | 9W4 | DBM-9W4P-1A9N-A191-K87 | DBM-9W4P-1A9N-A191-K87-146 | DBM-9W4P-1ATN-A191-K87 | DBM-9W4P-1ATN-A191-K87-146 | DBM-9W4P-1AVN-A191-K87 | DBM-9W4P-1AVN-A191-K87-146 |
| DB | 13W3 | DBM-13W3P-1A9N-A191-K87 | DBM-13W3P-1A9N-A191-K87-146 | DBM-13W3P-1ATN-A191-K87 | DBM-13W3P-1ATN-A191-K87-146 | DBM-13W3P-1AVN-A191-K87 | DBM-13W3P-1AVN-A191-K87-146 |
| DB | 17W2 | DBM-17W2P-1A9N-A191-K87 | DBM-17W2P-1A9N-A191-K87-146 | DBM-17W2P-1ATN-A191-K87 | DBM-17W2P-1ATN-A191-K87-146 | DBM-17W2P-1AVN-A191-K87 | DBM-17W2P-1AVN-A191-K87-146 |
| DB | 21W1 | DBM-21W1P-1A9N-A191-K87 | DBM-21W1P-1A9N-A191-K87-146 | DBM-21W1P-1ATN-A191-K87 | DBM-21W1P-1ATN-A191-K87-146 | DBM-21W1P-1AVN-A191-K87 | DBM-21W1P-1AVN-A191-K87-146 |
| DC | 8W8 | DCM-8W8P-1A9N-K87 | DCM-8W8P-1A9N-K87-146 | DCM-8W8P-1ATN-K87 | DCM-8W8P-1ATN-K87-146 | DCM-8W8P-1AVN-K87 | DCM-8W8P-1AVN-K87-146 |
| DC | 13W6 | DCM-13W6P-1A9N-A191-K87 | DCM-13W6P-1A9N-A191-K87-146 | DCM-13W6P-1ATN-A191-K87 | DCM-13W6P-1ATN-A191-K87-146 | DCM-13W6P-1AVN-A191-K87 | DCM-13W6P-1AVN-A191-K87-146 |
| DC | 17W5 | DCM-17W5P-1A9N-A191-K87 | DCM-17W5P-1A9N-A191-K87-146 | DCM-17W5P-1ATN-A191-K87 | DCM-17W5P-1ATN-A191-K87-146 | DCM-17W5P-1AVN-A191-K87 | DCM-17W5P-1AVN-A191-K87-146 |
| DC | 21WA4 | DCM-21WA4P-1A9N-A191-K87 | DCM-21WA4P-1A9N-A191-K87-146 | DCM-21WA4P-1ATN-A191-K87 | DCM-21WA4P-1ATN-A191-K87-146 | DCM-21WA4P-1AVN-A191-K87 | DCM-21WA4P-1AVN-A191-K87-146 |
| DC | 25W3 | DCM-25W3P-1A9N-A191-K87 | DCM-25W3P-1A9N-A191-K87-146 | DCM-25W3P-1ATN-A191-K87 | DCM-25W3P-1ATN-A191-K87-146 | DCM-25W3P-1AVN-A191-K87 | DCM-25W3P-1AVN-A191-K87-146 |
| DC | 27W2 | DCM-27W2P-1A9N-A191-K87 | DCM-27W2P-1A9N-A191-K87-146 | DCM-27W2P-1ATN-A191-K87 | DCM-27W2P-1ATN-A191-K87-146 | DCM-27W2P-1AVN-A191-K87 | DCM-27W2P-1AVN-A191-K87-146 |

For performance class 1 replace A191 with A190.
For performance class 3 delete A191.

For captive nut 4-40 UNC thread replace 1A9N with 1A7N and 1AHN with 1A8N.
For pushfit 90° pcb hole diameter 3,2 mm replace 146 with 162.

3W3/3WK3 (keyed)/5W5 and 8W8 without signal contacts.

Pin



- For contact cavity arrangements, see page 52.
- For pcb hole pattern, see page 54 – 56 for coaxial or pages 68 – 71 for high power contacts.
- For mounting methods, see page 86 – 87.
- For panel cut-outs, see our D Subminiature catalogue.

Dimensions

| Shell size | A ± 0,38 | B ± 0,13 | C ± 0,13 | D ± 0,13 | E ± 0,13 | F ± 0,25 | L + 0,2 | W ± 0,4 |
|------------|-------------|-------------|-------------|-------------|-------------|-------------|------------|------------|
| DE | 30,8 | 16,9 | 25 | 8,35 | 12,55 | 10,7 | 0,8 | 6,7 |
| DA | 39,15 | 25,25 | 33,3 | 8,35 | 12,55 | 10,7 | 0,8 | 6,7 |
| DB | 53,05 | 38,95 | 47,05 | 8,35 | 12,55 | 10,8 | 0,9 | 6,8 |
| DC | 69,3 | 55,4 | 63,5 | 8,35 | 12,55 | 10,8 | 0,9 | 6,8 |

Solder pin 90° – European footprint, sizes DE – DC, with empty size 8 cavities, with different brackets

Part numbers with metal bracket and captive nut M3

Part numbers with plastic bracket captive nut M3

Part numbers with plastic bracket with grounding bracket and captive nut M3

| Shell size | Layout | P/N without pushfit | P/N with mounting hole diameter 3,2 and pushfit | P/N without pushfit | P/N with mounting hole diameter 3,2 and pushfit | P/N without pushfit | P/N with mounting hole diameter 3,2 and pushfit |
|------------|--------|---------------------------|---|---------------------------|---|---------------------------|---|
| DE | 5W1 | DEM-5W1S-1A9N-A191-A197 | DEM-5W1S-1A9N-A191-A197-146 | DEM-5W1S-1ATN-A191-A197 | DEM-5W1S-1ATN-A191-A197-146 | DEM-5W1S-1AVN-A191-A197 | DEM-5W1S-1AVN-A191-A197-146 |
| DA | 7W2 | DAM-7W2S-1A9N-A191-A197 | DAM-7W2S-1A9N-A191-A197-146 | DAM-7W2S-1ATN-A191-A197 | DAM-7W2S-1ATN-A191-A197-146 | DAM-7W2S-1AVN-A191-A197 | DAM-7W2S-1AVN-A191-A197-146 |
| DA | 11W1 | DAM-11W1S-1A9N-A191-A197 | DAM-11W1S-1A9N-A191-A197-146 | DAM-11W1S-1ATN-A191-A197 | DAM-11W1S-1ATN-A191-A197-146 | DAM-11W1S-1AVN-A191-A197 | DAM-11W1S-1AVN-A191-A197-146 |
| DA | 3W3 | DAM-3W3S-1A9N-A197 | DAM-3W3S-1A9N-A197-146 | DAM-3W3S-1ATN-A197 | DAM-3W3S-1ATN-A197-146 | DAM-3W3S-1AVN-A197 | DAM-3W3S-1AVN-A197-146 |
| DA | 3WK3 | DAM-3WK3S-1A9N-A197 | DAM-3WK3S-1A9N-A197-146 | DAM-3WK3S-1ATN-A197 | DAM-3WK3S-1ATN-A197-146 | DAM-3WK3S-1AVN-A197 | DAM-3WK3S-1AVN-A197-146 |
| DB | 5W5 | DBM-5W5S-1A9N-A197 | DBM-5W5S-1A9N-A197-146 | DBM-5W5S-1ATN-A197 | DBM-5W5S-1ATN-A197-146 | DBM-5W5S-1AVN-A197 | DBM-5W5S-1AVN-A197-146 |
| DB | 9W4 | DBM-9W4S-1A9N-A191-A197 | DBM-9W4S-1A9N-A191-A197-146 | DBM-9W4S-1ATN-A191-A197 | DBM-9W4S-1ATN-A191-A197-146 | DBM-9W4S-1AVN-A191-A197 | DBM-9W4S-1AVN-A191-A197-146 |
| DB | 13W3 | DBM-13W3S-1A9N-A191-A197 | DBM-13W3S-1A9N-A191-A197-146 | DBM-13W3S-1ATN-A191-A197 | DBM-13W3S-1ATN-A191-A197-146 | DBM-13W3S-1AVN-A191-A197 | DBM-13W3S-1AVN-A191-A197-146 |
| DB | 17W2 | DBM-17W2S-1A9N-A191-A197 | DBM-17W2S-1A9N-A191-A197-146 | DBM-17W2S-1ATN-A191-A197 | DBM-17W2S-1ATN-A191-A197-146 | DBM-17W2S-1AVN-A191-A197 | DBM-17W2S-1AVN-A191-A197-146 |
| DB | 21W1 | DBM-21W1S-1A9N-A191-A197 | DBM-21W1S-1A9N-A191-A197-146 | DBM-21W1S-1ATN-A191-A197 | DBM-21W1S-1ATN-A191-A197-146 | DBM-21W1S-1AVN-A191-A197 | DBM-21W1S-1AVN-A191-A197-146 |
| DC | 8W8 | DCM-8W8S-1A9N-A197 | DCM-8W8S-1A9N-A197-146 | DCM-8W8S-1ATN-A197 | DCM-8W8S-1ATN-A197-146 | DCM-8W8S-1AVN-A197 | DCM-8W8S-1AVN-A197-146 |
| DC | 13W6 | DCM-13W6S-1A9N-A191-A197 | DCM-13W6S-1A9N-A191-A197-146 | DCM-13W6S-1ATN-A191-A197 | DCM-13W6S-1ATN-A191-A197-146 | DCM-13W6S-1AVN-A191-A197 | DCM-13W6S-1AVN-A191-A197-146 |
| DC | 17W5 | DCM-17W5S-1A9N-A191-A197 | DCM-17W5S-1A9N-A191-A197-146 | DCM-17W5S-1ATN-A191-A197 | DCM-17W5S-1ATN-A191-A197-146 | DCM-17W5S-1AVN-A191-A197 | DCM-17W5S-1AVN-A191-A197-146 |
| DC | 21WA4 | DCM-21WA4S-1A9N-A191-A197 | DCM-21WA4S-1A9N-A191-A197-146 | DCM-21WA4S-1ATN-A191-A197 | DCM-21WA4S-1ATN-A191-A197-146 | DCM-21WA4S-1AVN-A191-A197 | DCM-21WA4S-1AVN-A191-A197-146 |
| DC | 25W3 | DCM-25W3S-1A9N-A191-A197 | DCM-25W3S-1A9N-A191-A197-146 | DCM-25W3S-1ATN-A191-A197 | DCM-25W3S-1ATN-A191-A197-146 | DCM-25W3S-1AVN-A191-A197 | DCM-25W3S-1AVN-A191-A197-146 |
| DC | 27W2 | DCM-27W2S-1A9N-A191-A197 | DCM-27W2S-1A9N-A191-A197-146 | DCM-27W2S-1ATN-A191-A197 | DCM-27W2S-1ATN-A191-A197-146 | DCM-27W2S-1AVN-A191-A197 | DCM-27W2S-1AVN-A191-A197-146 |

For performance class 1 replace A191 with A190.
For performance class 3 delete A191.

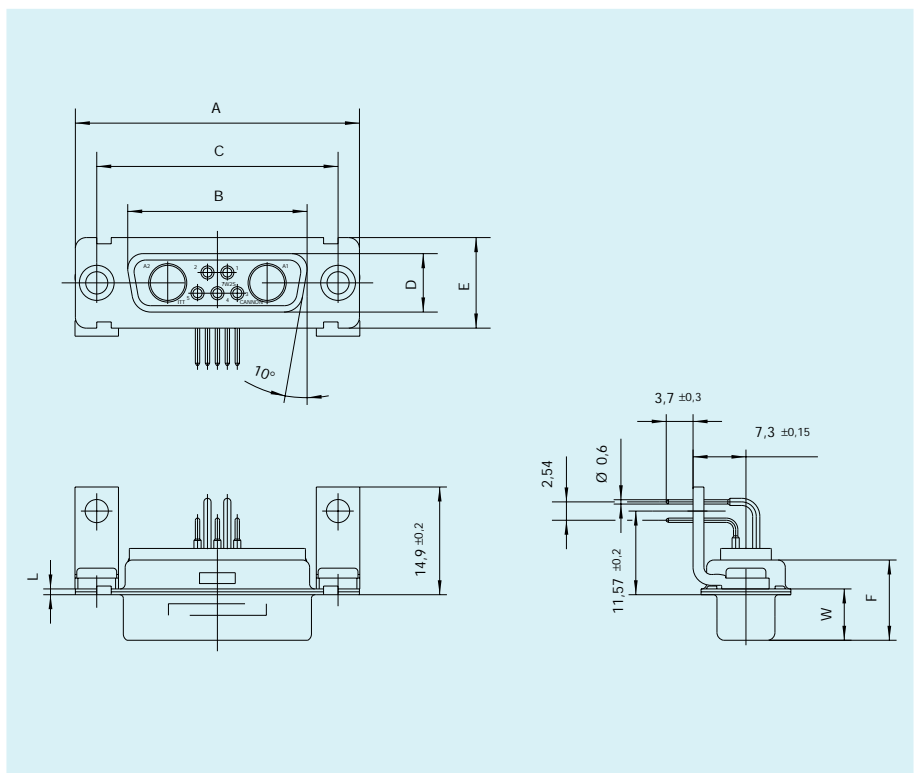
For captive nut 4-40 UNC thread replace 1A9N with 1A7N and 1A8N with 1A8N.
For pushfit 90° pcb hole diameter 3,2 mm replace 146 with 162.

3W3/3WK3 (keyed)/5W5 and 8W8 without signal contacts.

Socket



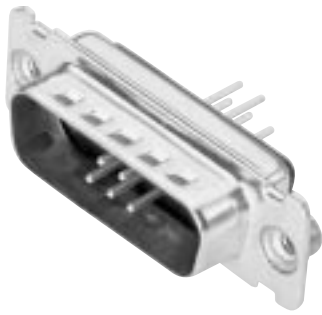
- For contact cavity arrangements, see page 53.
- For pcb hole pattern, see page 57 – 59 for coaxial or pages 72 – 75 for high power contacts.
- For mounting methods, see page 86 – 87.
- For panel cut-outs, see our D Subminiature catalogue.



Dimensions

| Shell size | A | B | C | D | E | F | L | W |
|------------|--------|--------|--------|--------|--------|--------|-------|-------|
| | ± 0,38 | ± 0,13 | ± 0,13 | ± 0,13 | ± 0,13 | ± 0,25 | + 0,2 | ± 0,4 |
| DE | 30,8 | 16,35 | 25 | 7,9 | 12,55 | 10,9 | 0,8 | 6,95 |
| DA | 39,15 | 24,65 | 33,3 | 7,9 | 12,55 | 10,9 | 0,8 | 6,95 |
| DB | 53,05 | 38,4 | 47,05 | 7,9 | 12,55 | 10,9 | 0,8 | 6,95 |
| DC | 69,3 | 54,85 | 63,5 | 7,9 | 12,55 | 10,9 | 0,8 | 6,95 |

Pin



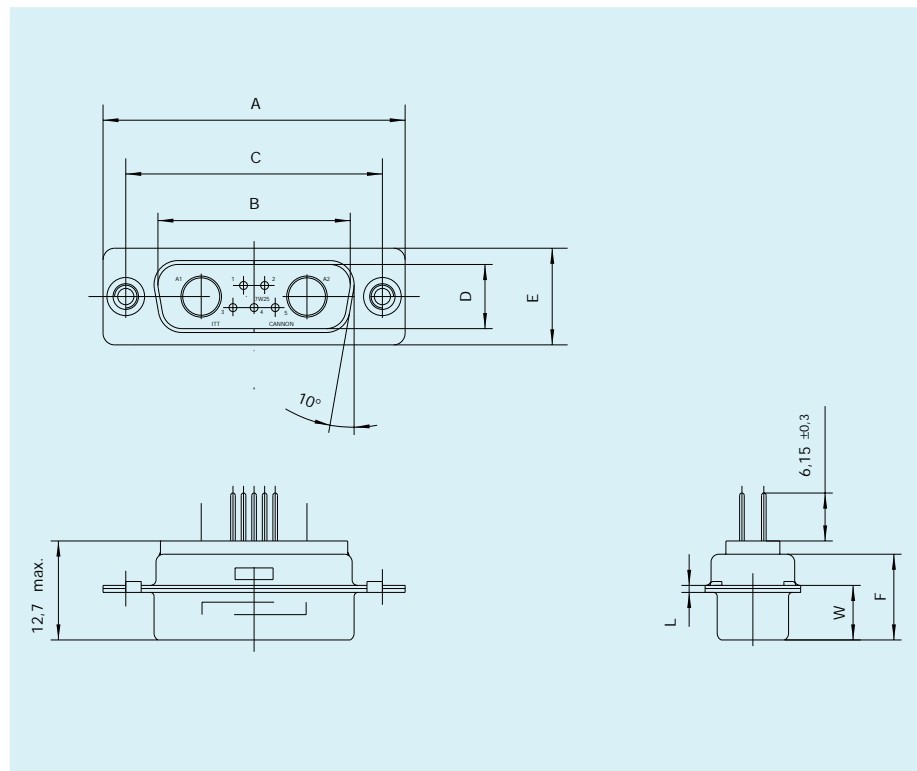
- For contact cavity arrangements, see page 52.
- For pcb hole pattern, see page 60 – 63.
- For mounting methods, see page 86 – 87.
- For panel cut-outs, see our D Subminiature catalogue.

Straight European solder pins, sizes DE – DC, with empty size 8 cavities

| Shell size | Layout | P/N with through hole 3,05 mm | P/N with M3 clinch nut | P/N with M3 standoff post and pushfit | P/N with M3 standoff with pushfit |
|------------|--------|-------------------------------|--------------------------|---------------------------------------|-----------------------------------|
| DE | 5W1 | DEM-5W1P-OL4-A191-K87 | DEM-5W1P-OL4-A191-K87 | DEMU-5W1P-OL4-A191-K87 | DEMQ-5W1P-OL4-A191-K87 |
| DA | 7W2 | DAM-7W2P-OL4-A191-K87 | DAM-7W2P-OL4-A191-K87 | DAMU-7W2P-OL4-A191-K87 | DAMQ-7W2P-OL4-A191-K87 |
| DA | 11W1 | DAM-11W1P-OL4-A191-K87 | DAMX-11W1P-OL4-A191-K87 | DAMU-11W1P-OL4-A191-K87 | DAMQ-11W1P-OL4-A191-K87 |
| DA | 3W3 | DAM-3W3P-K87 | DAMX-3W3P-K87 | DAMU-3W3P-K87 | DAMQ-3W3P-K87 |
| DA | 3WK3 | DAM-3WK3P-K87 | DAMX-3WK3P-K87 | DAMU-3WK3P-K87 | DAMQ-3WK3P-K87 |
| DB | 5W5 | DBM-5W5P-K87 | DBMX-5W5P-K87 | DBMU-5W5P-K87 | DBMQ-5W5P-K87 |
| DB | 9W4 | DBM-9W4P-OL4-A191-K87 | DBMX-9W4P-OL4-A191-K87 | DBMU-9W4P-OL4-A191-K87 | DBMQ-9W4P-OL4-A191-K87 |
| DB | 13W3 | DBM-13W3P-OL4-A191-K87 | DBMX-13W3P-OL4-A191-K87 | DBMU-13W3P-OL4-A191-K87 | DBMQ-13W3P-OL4-A191-K87 |
| DB | 17W2 | DBM-17W2P-OL4-A191-K87 | DBMX-17W2P-OL4-A191-K87 | DBMU-17W2P-OL4-A191-K87 | DBMQ-17W2P-OL4-A191-K87 |
| DB | 21W1 | DBM-21W1P-OL4-A191-K87 | DBMX-21W1P-OL4-A191-K87 | DBMU-21W1P-OL4-A191-K87 | DBMQ-21W1P-OL4-A191-K87 |
| DC | 8W8 | DCM-8W8P-K87 | DCMX-8W8P-K87 | DCMU-8W8P-K87 | DCMQ-8W8P-K87 |
| DC | 13W6 | DCM-13W6P-OL4-A191-K87 | DCMX-13W6P-OL4-A191-K87 | DCMU-13W6P-OL4-A191-K87 | DCMQ-13W6P-OL4-A191-K87 |
| DC | 17W5 | DCM-17W5P-OL4-A191-K87 | DCMX-17W5P-OL4-A191-K87 | DCMU-17W5P-OL4-A191-K87 | DCMQ-17W5P-OL4-A191-K87 |
| DC | 21WA4 | DCM-21WA4P-OL4-A191-K87 | DCMX-21WA4P-OL4-A191-K87 | DCMU-21WA4P-OL4-A191-K87 | DCMQ-21WA4P-OL4-A191-K87 |
| DC | 25W3 | DCM-25W3P-OL4-A191-K87 | DCMX-25W3P-OL4-A191-K87 | DCMU-25W3P-OL4-A191-K87 | DCMQ-25W3P-OL4-A191-K87 |
| DC | 27W2 | DCM-27W2P-OL4-A191-K87 | DCMX-27W2P-OL4-A191-K87 | DCMU-27W2P-OL4-A191-K87 | DCMQ-27W2P-OL4-A191-K87 |

For performance class 1 replace A191 with A190.
 For performance class 3 delete A191.
 For clinch nut 4-40 UNC thread replace X with E.
 For standoff, 4-40 UNC thread post and pushfit replace U with N.

For 4-40 UNC thread standoff with pushfit replace Q with Z.
 For captive nut 4-40 UNC replace X with E.
 3W3/3WK3 (keyed) 5W5 and 8W8 without signal contacts.



Dimensions

| Shell size | A ±0,38 | B ±0,13 | C ±0,13 | D ±0,13 | E ±0,13 | F ±0,25 | L +0,2 | W ±0,4 |
|------------|---------|---------|---------|---------|---------|---------|--------|--------|
| DE | 30,8 | 16,9 | 25 | 8,35 | 12,55 | 10,7 | 0,8 | 6,7 |
| DA | 39,15 | 25,25 | 33,3 | 8,35 | 12,55 | 10,7 | 0,8 | 6,7 |
| DB | 53,05 | 38,95 | 47,05 | 8,35 | 12,55 | 10,8 | 0,9 | 6,8 |
| DC | 69,3 | 55,4 | 63,5 | 8,35 | 12,55 | 10,8 | 0,9 | 6,8 |

Socket



- For contact cavity arrangements, see page 53.
- For pcb hole pattern, see page 64 – 67.
- For mounting methods, see page 86 – 87.
- For panel cut-outs, see our D Subminiature catalogue.

Straight European solder pins, sizes DE – DC, with empty size 8 cavities

| Shell size | Layout | P/N with through hole 3,05 mm | P/N with M3 clinch nut | P/N with M3 standoff post and pushfit | P/N with M3 standoff with pushfit |
|------------|--------|-------------------------------|---------------------------|---------------------------------------|-----------------------------------|
| DE | 5W1 | DEM-5W1S-OL4-A191-A197 | DEMX-5W1S-OL4-A191-A197 | DEMU-5W1S-OL4-A191-A197 | DEMQ-5W1S-OL4-A191-A197 |
| DA | 7W2 | DAM-7W2S-OL4-A191-A197 | DAMX-7W2S-OL4-A191-A197 | DAMU-7W2S-OL4-A191-A197 | DAMQ-7W2S-OL4-A191-A197 |
| DA | 11W1 | DAM-11W1S-OL4-A191-A197 | DAMX-11W1S-OL4-A191-A197 | DAMU-11W1S-OL4-A191-A197 | DAMQ-11W1S-OL4-A191-A197 |
| DA | 3W3 | DAM-3W3S-A197 | DAMX-3W3S-A197 | DAMU-3W3S-A197 | DAMQ-3W3S-A197 |
| DA | 3WK3 | DAM-3WK3S-A197 | DAMX-3WK3S-A197 | DAMU-3WK3S-A197 | DAMQ-3WK3S-A197 |
| DB | 5W5 | DBM-5W5S-A197 | DBMX-5W5S-A197 | DBMU-5W5S-A197 | DBMQ-5W5S-A197 |
| DB | 9W4 | DBM-9W4S-OL4-A191-A197 | DBMX-9W4S-OL4-A191-A197 | DBMU-9W4S-OL4-A191-A197 | DBMQ-9W4S-OL4-A191-A197 |
| DB | 13W3 | DBM-13W3S-OL4-A191-A197 | DBMX-13W3S-OL4-A191-A197 | DBMU-13W3S-OL4-A191-A197 | DBMQ-13W3S-OL4-A191-A197 |
| DB | 17W2 | DBM-17W2S-OL4-A191-A197 | DBMX-17W2S-OL4-A191-A197 | DBMU-17W2S-OL4-A191-A197 | DBMQ-17W2S-OL4-A191-A197 |
| DB | 21W1 | DBM-21W1S-OL4-A191-A197 | DBMX-21W1S-OL4-A191-A197 | DBMU-21W1S-OL4-A191-A197 | DBMQ-21W1S-OL4-A191-A197 |
| DC | 8W8 | DCM-8W8S-A197 | DCMX-8W8S-A197 | DCMU-8W8S-A197 | DCMQ-8W8S-A197 |
| DC | 13W6 | DCM-13W6S-OL4-A191-A197 | DCMX-13W6S-OL4-A191-A197 | DCMU-13W6S-OL4-A191-A197 | DCMQ-13W6S-OL4-A191-A197 |
| DC | 17W5 | DCM-17W5S-OL4-A191-A197 | DCMX-17W5S-OL4-A191-A197 | DCMU-17W5S-OL4-A191-A197 | DCMQ-17W5S-OL4-A191-A197 |
| DC | 21WA4 | DCM-21WA4S-OL4-A191-A197 | DCMX-21WA4S-OL4-A191-A197 | DCMU-21WA4S-OL4-A191-A197 | DCMQ-21WA4S-OL4-A191-A197 |
| DC | 25W3 | DCM-25W3S-OL4-A191-A197 | DCMX-25W3S-OL4-A191-A197 | DCMU-25W3S-OL4-A191-A197 | DCMQ-25W3S-OL4-A191-A197 |
| DC | 27W2 | DCM-27W2S-OL4-A191-A197 | DCMX-27W2S-OL4-A191-A197 | DCMU-27W2S-OL4-A191-A197 | DCMQ-27W2S-OL4-A191-A197 |

For performance class 1 replace A191 with A190.

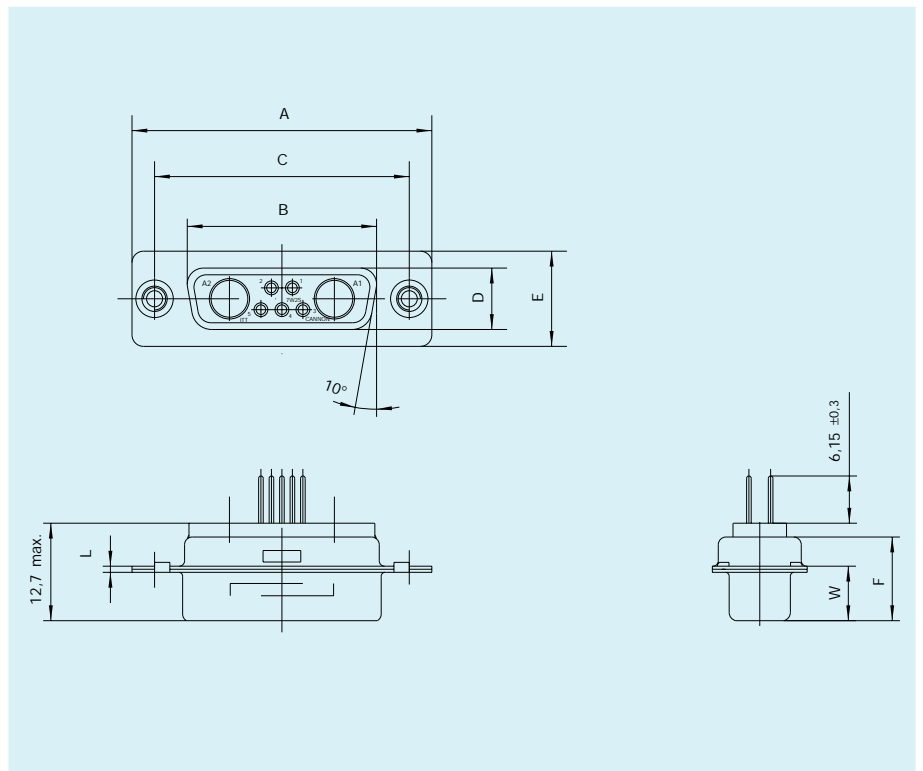
For performance class 3 delete A191.

For clinch nut 4-40 UNC thread replace X with E.

For standoff, 4-40 UNC thread post and pushfit replace U with N.

For 4-40 UNC thread standoff with pushfit replace U with Z.

For captive nut 4-40 UNC replace X with E.



Dimensions

| Shell size | A | B | C | D | E | F | L | W |
|------------|-------|-------|-------|-------|-------|-------|------|------|
| | ±0,38 | ±0,13 | ±0,13 | ±0,13 | ±0,13 | ±0,25 | +0,2 | ±0,4 |
| DE | 30,8 | 16,35 | 25 | 7,9 | 12,55 | 10,9 | 0,8 | 6,95 |
| DA | 39,15 | 24,65 | 33,3 | 7,9 | 12,55 | 10,9 | 0,8 | 6,95 |
| DB | 53,05 | 38,4 | 47,05 | 7,9 | 12,55 | 10,9 | 0,8 | 6,95 |
| DC | 69,3 | 54,85 | 63,5 | 7,9 | 12,55 | 10,9 | 0,8 | 6,95 |

Pin



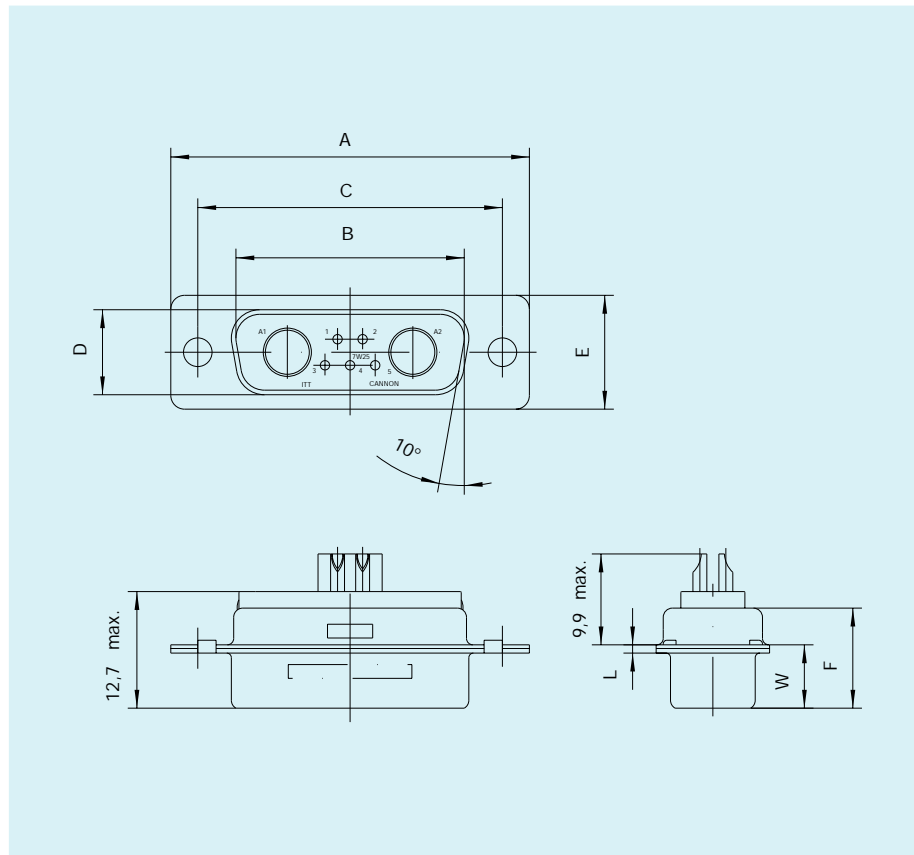
- For contact cavity arrangements, see page 52.
- For mounting methods, see page 86 – 87.
- For panel cut-outs, see our D Subminiature catalogue.

Solder cup, sizes DE – DC, with empty size 8 cavities

| Shell size | Layout | P/N with through hole 3,05 mm | P/N with M3 clinch nut | P/N with dual float mount |
|------------|--------|-------------------------------|------------------------|---------------------------|
| DE | 5W1 | DEM-5W1P-A191-K87 | DEM-5W1P-A191-K87 | DEMY-5W1P-A191-K87 |
| DA | 7W2 | DAM-7W2P-A191-K87 | DAM-7W2P-A191-K87 | DAMY-7W2P-A191-K87 |
| DA | 11W1 | DAM-11W1P-A191-K87 | DAM-11W1P-A191-K87 | DAMY-11W1P-A191-K87 |
| DA | 3W3 | DAM-3W3P-K87 | DAM-3W3P-K87 | DAMY-3W3P-K87 |
| DA | 3WK3 | DAM-3WK3P-K87 | DAM-3WK3P-K87 | DAMY-3WK3P-K87 |
| DB | 5W5 | DBM-5W5P-K87 | DBMX-5W5P-K87 | DBMY-5W5P-K87 |
| DB | 9W4 | DBM-9W4P-A191-K87 | DBMX-9W4P-A191-K87 | DBMY-9W4P-A191-K87 |
| DB | 13W3 | DBM-13W3P-A191-K87 | DBMX-13W3P-A191-K87 | DBMY-13W3P-A191-K87 |
| DB | 17W2 | DBM-17W2P-A191-K87 | DBMX-17W2P-A191-K87 | DBMY-17W2P-A191-K87 |
| DB | 21W1 | DBM-21W1P-A191-K87 | DBMX-21W1P-A191-K87 | DBMY-21W1P-A191-K87 |
| DC | 8W8 | DCM-8W8P-K87 | DCMX-8W8P-K87 | DCMY-8W8P-K87 |
| DC | 13W6 | DCM-13W6P-A191-K87 | DCMX-13W6P-A191-K87 | DCMY-13W6P-A191-K87 |
| DC | 17W5 | DCM-17W5P-A191-K87 | DCMX-17W5P-A191-K87 | DCMY-17W5P-A191-K87 |
| DC | 21WA4 | DCM-21WA4P-A191-K87 | DCMX-21WA4P-A191-K87 | DCMY-21WA4P-A191-K87 |
| DC | 25W3 | DCM-25W3P-A191-K87 | DCMX-25W3P-A191-K87 | DCMY-25W3P-A191-K87 |
| DC | 27W2 | DCM-27W2P-A191-K87 | DCMX-27W2P-A191-K87 | DCMY-27W2P-A191-K87 |

For performance class 1 replace A191 with A190.
For performance class 3 delete A191.

For clinch nut 4-40 UNC thread replace X with E.
3W3/3WK3 (keyed) 5W5 and 8W8 without signal contacts.



Dimensions

| Shell size | A ± 0,38 | B ± 0,13 | C ± 0,13 | D ± 0,13 | E ± 0,13 | F ± 0,25 | L + 0,2 | W ± 0,4 |
|------------|-------------|-------------|-------------|-------------|-------------|-------------|------------|------------|
| DE | 30,8 | 16,9 | 25 | 8,35 | 12,55 | 10,7 | 0,8 | 6,7 |
| DA | 39,15 | 25,25 | 33,3 | 8,35 | 12,55 | 10,7 | 0,8 | 6,7 |
| DB | 53,05 | 38,95 | 47,05 | 8,35 | 12,55 | 10,8 | 0,9 | 6,8 |
| DC | 69,3 | 55,4 | 63,5 | 8,35 | 12,55 | 10,8 | 0,9 | 6,8 |

Socket



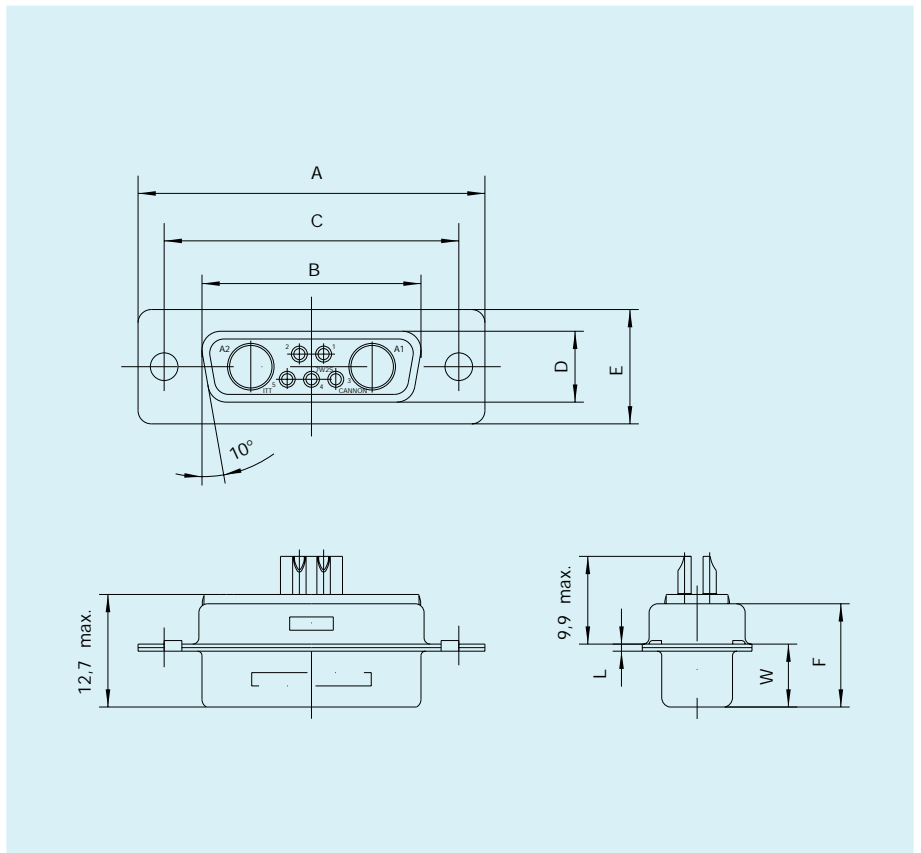
- For contact cavity arrangements, see page 53.
- For mounting methods, see page 86 – 87.
- For panel cut-outs, see our D Subminiature catalogue.

Solder cup, sizes DE – DC, with empty size 8 cavities

| Shell size | Layout | P/N with through hole 3,05 mm | P/N with M3 clinch nut | P/N with dual float mount |
|------------|--------|-------------------------------|------------------------|---------------------------|
| DE | 5W1 | DEM-5W1S-A191-A197 | DEM-5W1S-A191-A197 | DEMY-5W1S-A191-A197 |
| DA | 7W2 | DAM-7W2S-A191-A197 | DAM-7W2S-A191-A197 | DAMY-7W2S-A191-A197 |
| DA | 11W1 | DAM-11W1S-A191-A197 | DAM-11W1S-A191-A197 | DAMY-11W1S-A191-A197 |
| DA | 3W3 | DAM-3W3S-A197 | DAM-3W3S-A197 | DAMY-3W3S-A197 |
| DA | 3WK3 | DAM-3WK3S-A197 | DAM-3WK3S-A197 | DAMY-3WK3S-A197 |
| DB | 5W5 | DBM-5W5S-A197 | DBM-5W5S-A197 | DBMY-5W5S-A197 |
| DB | 9W4 | DBM-9W4S-A191-A197 | DBM-9W4S-A191-A197 | DBMY-9W4S-A191-A197 |
| DB | 13W3 | DBM-13W3S-A191-A197 | DBM-13W3S-A191-A197 | DBMY-13W3S-A191-A197 |
| DB | 17W2 | DBM-17W2S-A191-A197 | DBM-17W2S-A191-A197 | DBMY-17W2S-A191-A197 |
| DB | 21W1 | DBM-21W1S-A191-A197 | DBM-21W1S-A191-A197 | DBMY-21W1S-A191-A197 |
| DC | 8W8 | DCM-8W8S-A197 | DCM-8W8S-A197 | DCMY-8W8S-A197 |
| DC | 13W6 | DCM-13W6S-A191-A197 | DCM-13W6S-A191-A197 | DCMY-13W6S-A191-A197 |
| DC | 17W5 | DCM-17W5S-A191-A197 | DCM-17W5S-A191-A197 | DCMY-17W5S-A191-A197 |
| DC | 21WA4 | DCM-21WA4S-A191-A197 | DCM-21WA4S-A191-A197 | DCMY-21WA4S-A191-A197 |
| DC | 25W3 | DCM-25W3S-A191-A197 | DCM-25W3S-A191-A197 | DCMY-25W3S-A191-A197 |
| DC | 27W2 | DCM-27W2S-A191-A197 | DCM-27W2S-A191-A197 | DCMY-27W2S-A191-A197 |

For performance class 1 replace A191 with A190.
For performance class 3 delete A191.

For clinch nut 4-40 UNC thread replace X with E.
3W3/3WK3 (keyed) 5W5 and 8W8 without signal contacts.



Dimensions

| Shell size | A | B | C | D | E | F | L | W |
|------------|-------|-------|-------|-------|-------|-------|------|------|
| | ±0,38 | ±0,13 | ±0,13 | ±0,13 | ±0,13 | ±0,25 | +0,2 | ±0,4 |
| DE | 30,8 | 16,35 | 25 | 7,9 | 12,55 | 10,9 | 0,8 | 6,95 |
| DA | 39,15 | 24,65 | 33,3 | 7,9 | 12,55 | 10,9 | 0,8 | 6,95 |
| DB | 53,05 | 38,4 | 47,05 | 7,9 | 12,55 | 10,9 | 0,8 | 6,95 |
| DC | 69,3 | 54,85 | 63,5 | 7,9 | 12,55 | 10,9 | 0,8 | 6,95 |

Pin



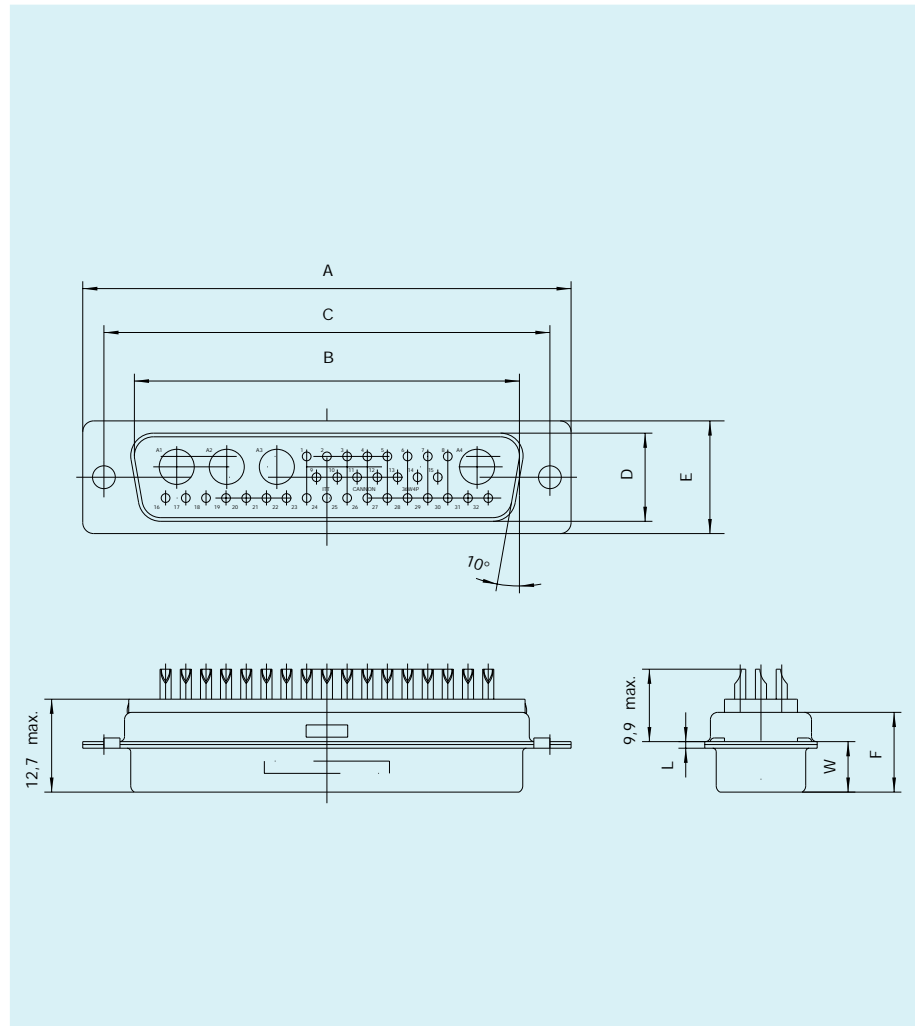
Solder cup, size DD, with empty size 8 cavities

| Shell size | Layout | P/N with through hole 3,05 mm | P/N with M3 clinch nut | P/N with dual float mount |
|------------|--------|-------------------------------|------------------------|---------------------------|
| DD | 24W7 | DDM-24W7P-A191-K87 | DDMX-24W7P-A191-K87 | DDMY-24W7P-A191-K87 |
| DD | 36W4 | DDM-36W4P-A191-K87 | DDMX-36W4P-A191-K87 | DDMY-36W4P-A191-K87 |
| DD | 43W2 | DDM-43W2P-A191-K87 | DDMX-43W2P-A191-K87 | DDMY-43W2P-A191-K87 |
| DD | 47W1 | DDM-47W3P-A191-K87 | DDMX-47W3P-A191-K87 | DDMY-47W3P-A191-K87 |

For performance class 1 replace A191 with A190.
For performance class 3 delete A191.

For clinch nut 4-40 UNC thread replace X with E.

- For contact cavity arrangements, see page 52.
- For mounting methods, see page 86 – 87.
- For panel cut-outs, see our D Subminiature catalogue.



Dimensions

| Shell size | A | B | C | D | E | F | L | W |
|------------|-------|-------|-------|-------|-------|-------|------|------|
| | ±0,38 | ±0,13 | ±0,13 | ±0,13 | ±0,13 | ±0,25 | +0,2 | ±0,4 |
| DD | 66,95 | 52,8 | 61,1 | 11,1 | 15,4 | 10,8 | 0,9 | 6,85 |

Socket



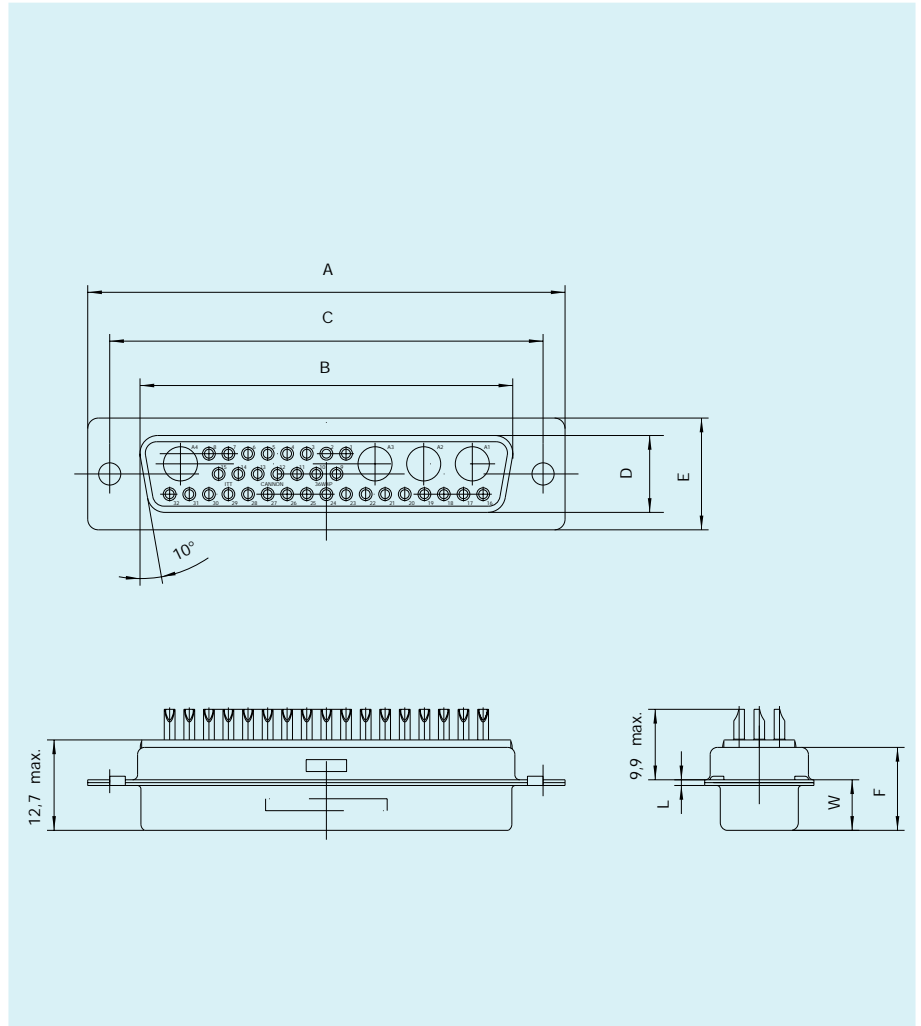
Solder cup, size DD, with empty size 8 cavities

| Shell size | Layout | P/N with through hole 3,05 mm | P/N with M3 clinch nut | P/N with dual float mount |
|------------|--------|-------------------------------|------------------------|---------------------------|
| DD | 24W7 | DDM-24W7S-A191-A197 | DDMX-24W7S-A191-A197 | DDMY-24W7S-A191-A197 |
| DD | 36W4 | DDM-36W4S-A191-A197 | DDMX-36W4S-A191-A197 | DDMY-36W4S-A191-A197 |
| DD | 43W2 | DDM-43W2S-A191-A197 | DDMX-43W2S-A191-A197 | DDMY-43W2S-A191-A197 |
| DD | 47W1 | DDM-47W1S-A191-A197 | DDMX-47W1S-A191-A197 | DDMY-47W1S-A191-A197 |

For performance class 1 replace A191 with A190.
For performance class 3 delete A191.

For clinch nut 4-40 UNC thread replace X with E.

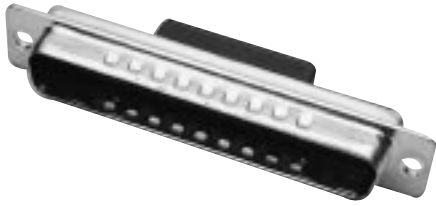
- For contact cavity arrangements, see page 53.
- For mounting methods, see page 86 – 87.
- For panel cut-outs, see our D Subminiature catalogue.



Dimensions

| Shell size | A | B | C | D | E | F | L | W |
|------------|-------|-------|-------|-------|-------|-------|------|------|
| | ±0,38 | ±0,13 | ±0,13 | ±0,13 | ±0,13 | ±0,25 | +0,2 | ±0,4 |
| DD | 66,95 | 52,4 | 61,1 | 10,75 | 15,4 | 10,9 | 0,8 | 6,95 |

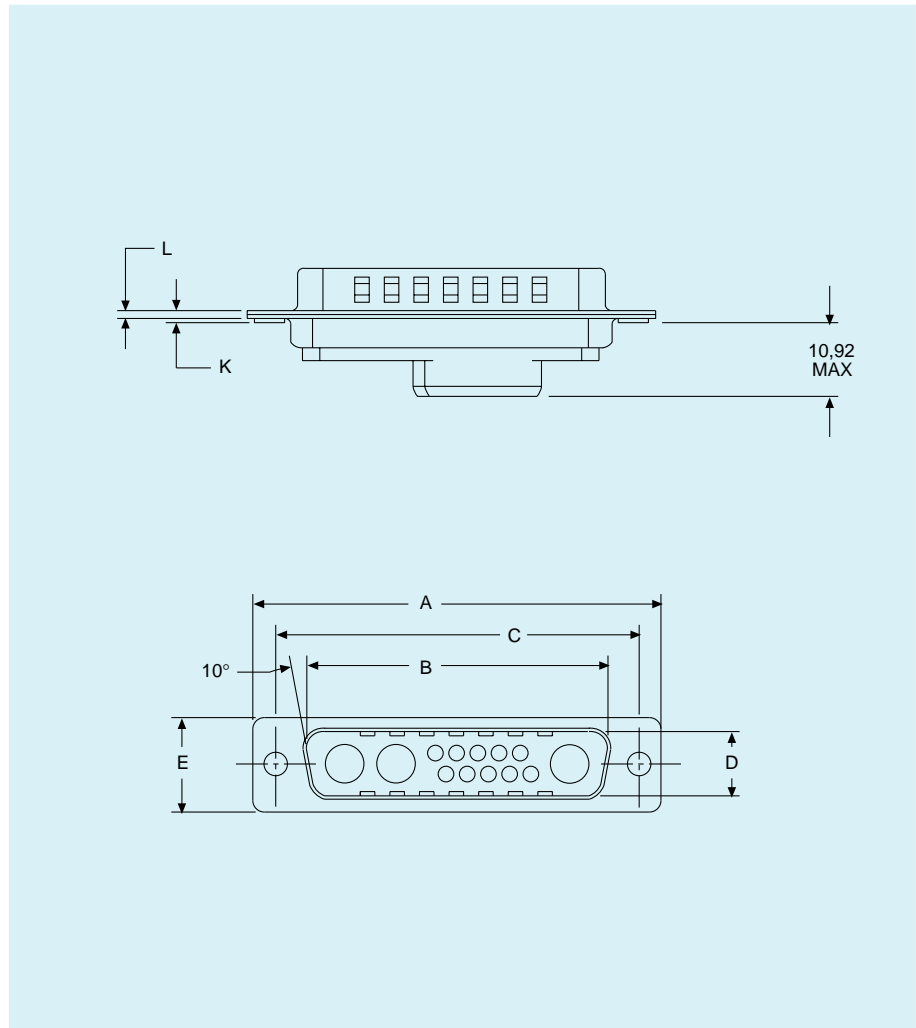
Pin



Crimp cable connectors without contacts, sizes DA – DD

| Shell size | Layout | Part number |
|------------|--------|----------------|
| DA | 7W2 | DAA7W2PK87FO |
| DA | 11W1 | DAA11W1PK87FO |
| DA | 3W3 | DAA3W3PK87FO |
| DB | 5W5 | DBA5W5PK87FO |
| DB | 9W9 | DBA9W9PK87FO |
| DB | 13W3 | DBA13W3PK87FO |
| DB | 17W2 | DBA17W2PK87FO |
| DB | 21W1 | DBA21W1PK87FO |
| DC | 8W8 | DCA8W8PK87FO |
| DC | 21WA4 | DCA21WA4PK87FO |
| DD | 24W7 | DDA24W7PK87FO |

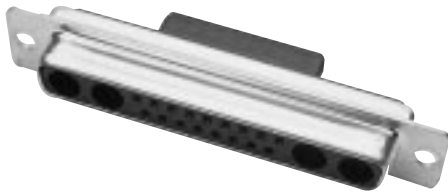
- For contact cavity arrangements, see page 52.
- For crimp contacts size 20, see page 42.
- For mounting methods, see page 86 – 87.
- For size 8 contacts see pages 44 – 51.



Dimensions

| Shell size | A ± 0,38 | B ± 0,8 | C ± 0,13 | D ± 0,13 | E ± 0,38 | F ± 0,25 | K ± 0,32 | K ± 0,25 | L + 0,25 |
|------------|-------------|------------|-------------|-------------|-------------|-------------|-------------|-------------|-------------|
| DA | 39,15 | 25,25 | 33,3 | 8,35 | 12,55 | 10,7 | 1,21 | - | 0,8 |
| DB | 53,05 | 38,95 | 47,05 | 8,35 | 12,55 | 10,8 | - | 1,52 | 0,9 |
| DC | 69,3 | 55,4 | 63,5 | 8,35 | 12,55 | 10,8 | - | 1,52 | 0,9 |
| DD | 66,93 | 52,81 | 61,11 | 11,07 | 15,37 | 10,8 | - | 1,52 | 0,9 |

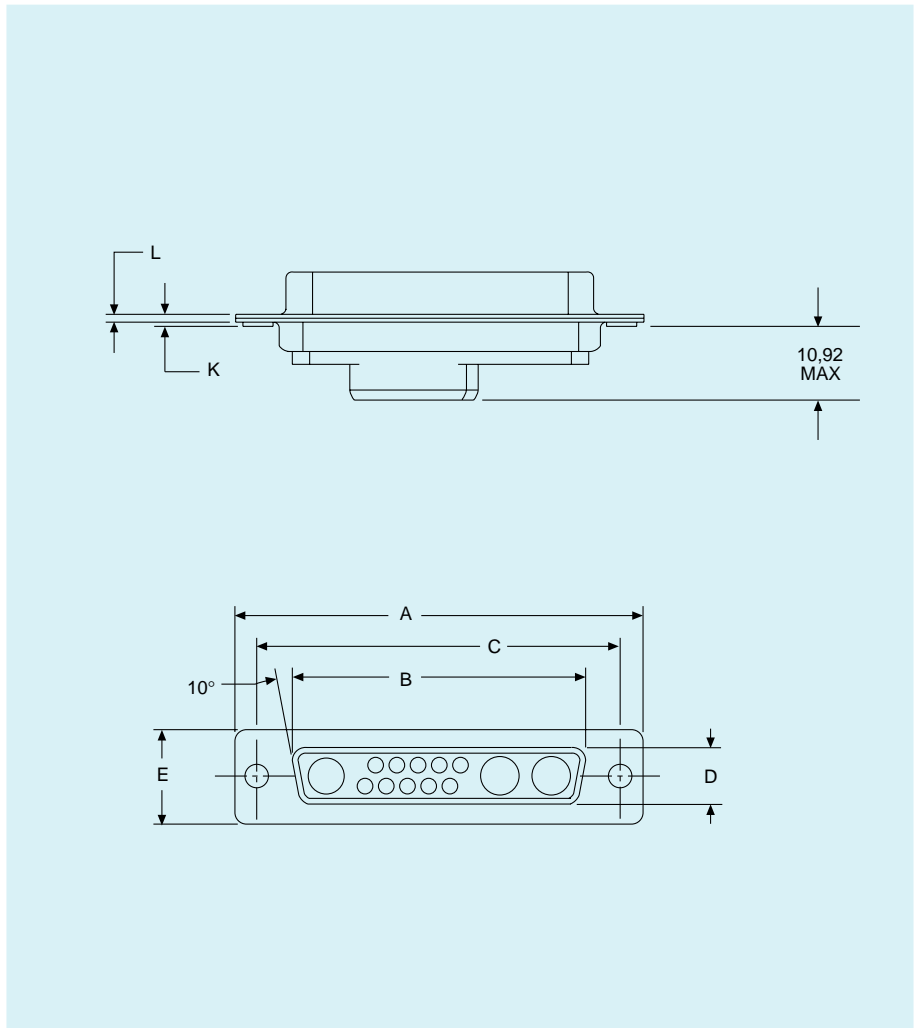
Socket



Crimp cable connectors without contacts, sizes DA – DD

| Shell size | Layout | Part number |
|------------|--------|-----------------|
| DA | 7W2 | DAA7W2PA197FO |
| DA | 11W1 | DAA11W1PA197FO |
| DA | 3W3 | DAA3W3PA197FO |
| DB | 5W5 | DBA5W5PA197FO |
| DB | 9W9 | DBA9W9PA197FO |
| DB | 13W3 | DBA13W3PA197FO |
| DB | 17W2 | DBA17W2PA197FO |
| DB | 21W1 | DBA21W1PA197FO |
| DC | 8W8 | DCA8W8PA197FO |
| DC | 21WA4 | DCA21WA4PA197FO |
| DD | 24W7 | DDA24W7PA197FO |

- For contact cavity arrangements, see page 53.
- For crimp contacts size 20, see page 42.
- For mounting methods, see page 86 – 87.
- For size 8 contacts see pages 44 – 51.



Dimensions

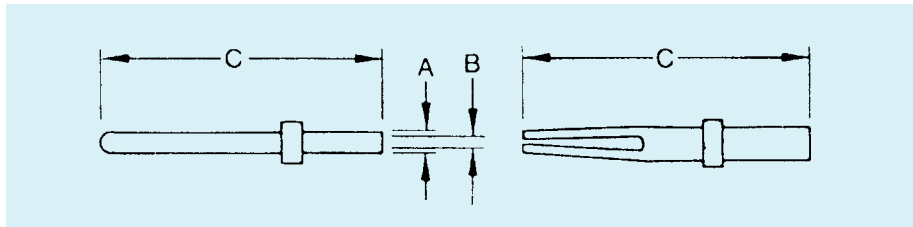
| Shell size | A | B | C | D | E | F | K | L |
|------------|--------|--------|--------|--------|--------|--------|--------|--------|
| | ± 0,38 | ± 0,13 | ± 0,13 | ± 0,13 | ± 0,38 | ± 0,25 | ± 0,32 | + 0,25 |
| DA | 39,15 | 24,65 | 33,3 | 7,9 | 12,55 | 10,9 | 1,21 | 0,8 |
| DB | 53,05 | 38,4 | 47,05 | 7,9 | 12,55 | 10,9 | 1,21 | 0,8 |
| DC | 69,3 | 54,85 | 63,5 | 7,9 | 12,55 | 10,9 | 1,21 | 0,8 |
| DD | 66,93 | 52,42 | 61,11 | 10,74 | 15,37 | 10,9 | 1,21 | 0,8 |

Crimp Contacts Size 20

Machined Contacts

| | Pin | | Socket | |
|---------------------|--------------|--------------|---------------|--------------|
| Contact size AWG | 30 – 26 | 24 – 20 | 30 – 26 | 24 – 20 |
| Performance class 3 | 330-7707-010 | 330-7707-000 | 330-77087-010 | 330-7708-000 |
| Performance class 2 | 330-7707-011 | 330-7707-001 | 330-77087-011 | 330-7708-001 |

| AWG size | | A ± 0,05 | B ± 0,05 | C max. |
|----------|--------|----------|----------|--------|
| 24 – 20 | Pin | 1,7 | 1,0 | 14,2 |
| | Socket | 1,7 | 1,0 | 13,7 |
| 30 – 26 | Pin | 1,7 | 0,6 | 14,2 |
| | Socket | 1,7 | 0,6 | 13,7 |



Machined Contacts acc to MIL-C-39029

| Contact size AWG | 30 – 26 | 24 – 20 | 30 – 26 | 24 – 20 |
|---------------------|--------------|--------------|--------------|--------------|
| Performance class 3 | 330-5291-004 | 031-1007-004 | 330-5291-000 | 031-1007-000 |
| Performance class 2 | 330-5291-050 | 031-1007-048 | 330-5291-037 | 031-1007-042 |

Tooling

For tooling see pages 88 – 89.

MIL-C-39029 Cross Reference List

| Contact size AWG | MIL / M39029 | / MIL24308* | Cannon Part Number |
|------------------|--------------|-------------|--------------------|
| 20 / 22 724 | / 64-368 | / 11-1 | 330-5291-037 |
| 20 / 22 724 | / 64-368 | / 10-1 | 031-1007-042 |

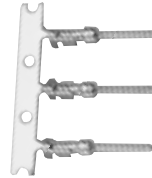
* Superseded by M39029

Crimp Contacts Size 20

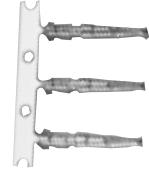
Contacts on Reels
(5000 pcs / reel)

Stamped contacts with insulation support are supplied on reels of 5000 for use with semi-automatic strip and crimp machines. Two sizes are available to accommodate wire ranges 20 – 26 AWG.

Pin Contacts



Socket Contacts



Part Numbers

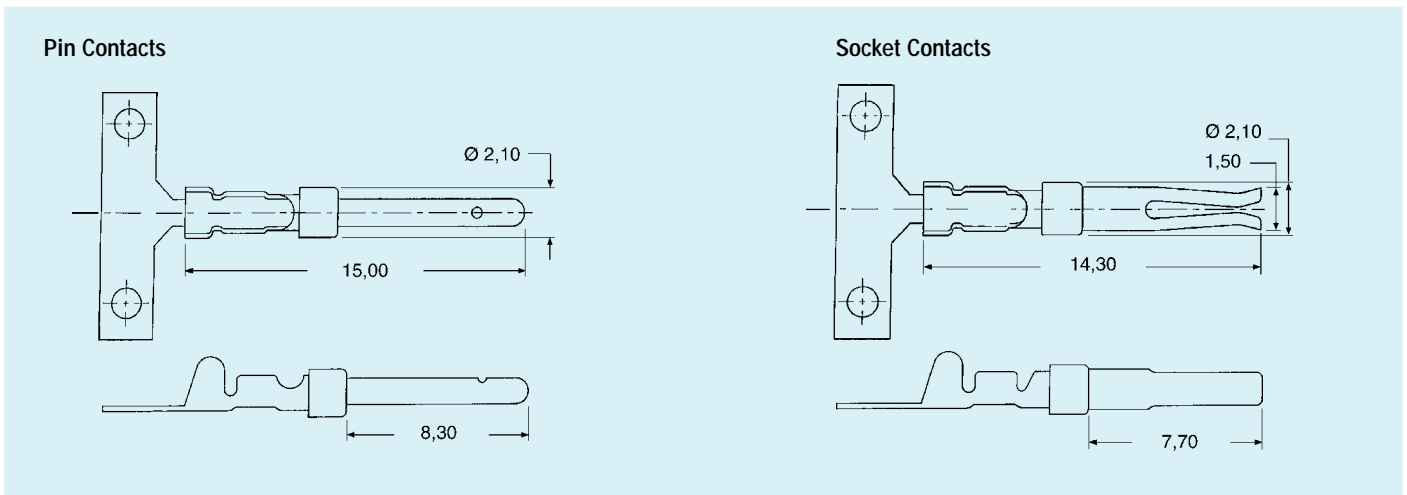
| AWG 24 - 26 | AWG 20 - 24 |
|--------------|--------------|
| 980-2000-925 | 980-2000-924 |
| 980-2000-946 | 980-2000-945 |

Part Numbers

| AWG 24 - 26 | AWG 20 - 24 |
|--------------|--------------|
| 980-2000-926 | 980-2000-923 |
| 980-2000-944 | 980-2000-943 |

| Finish |
|--|
| Gold flash over Nickel (Performance class 3) |
| Gold over Nickel (-A191 / Performance class 2) |

Semi-automatic crimp tool see D Subminiature catalogue 1997

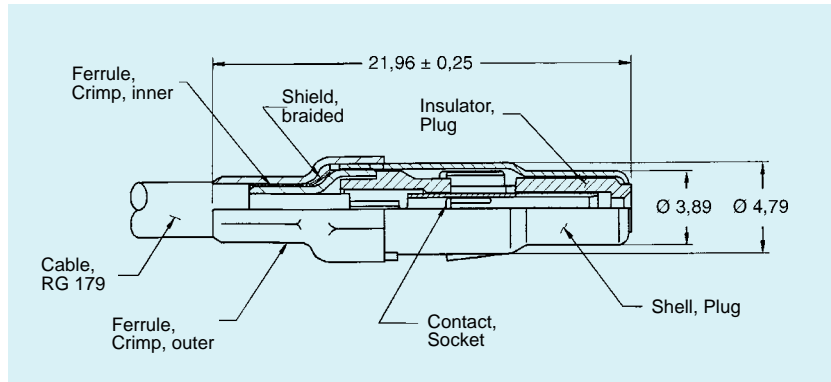


Tooling

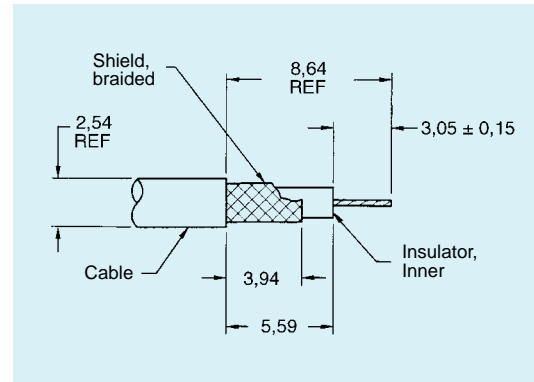
For tooling see pages 88 – 89.

Loose Contacts Size 8 – Coaxial 75 Ohm, Straight

Stamped Crimp/Crimp



Recommended Wire Trim Dimensions



Kit (Body, Ferrule, Center Contact)

| Stamped Crimp/Crimp | Kit Gold over Ni | Kit 0,76 µm Gold over Ni | Kit 1,27 µm Gold over Ni | RG Cable Number |
|---------------------|---------------------|-----------------------------|-----------------------------|-----------------|
| Plug | D130322-2 | D130322-1 | D130322-6 | 179/U |
| Receptacle | D130344-1 | D130344 | D130344-2 | 179/U |

Loose Components for High Volume (3 Pieces – Body, Ferrule, Center Contact)

| Stamped Crimp/Crimp | Body | Ferrule | Center Contact Gold over Ni 10,000 Reel | Center Contact 30 µin. Gold over Ni 10,000 Reel |
|---------------------|--------------|--------------|---|---|
| Plug | 249-2272-000 | 304-0444-000 | 110238-1015 | 110238-1012 |
| Receptacle | 249-2271-000 | 304-0444-000 | 110238-1014 | 110238-1013 |

Tooling for Stamped Crimp/Crimp



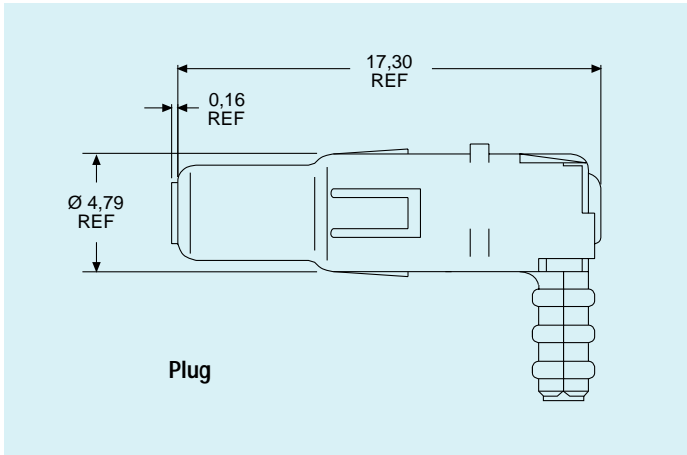
| Description | Crimping Tool | Tool Number |
|--------------------------|------------------------|------------------|
| Stamped Center Conductor | Hand Crimp, „B“ Crimp | CCTP-750HM |
| Stamped Outer Conductor | Semi-Automatic Crimper | ABT-607 (Leased) |
| Stamped Outer Conductor | Hand Tool, Hex Crimp | CCTP-DM |
| Stamped Outer Conductor | Pneumatic Hex Crimp | 995-2000-094 |

For semi-automatic tooling, see page 88 – 89.

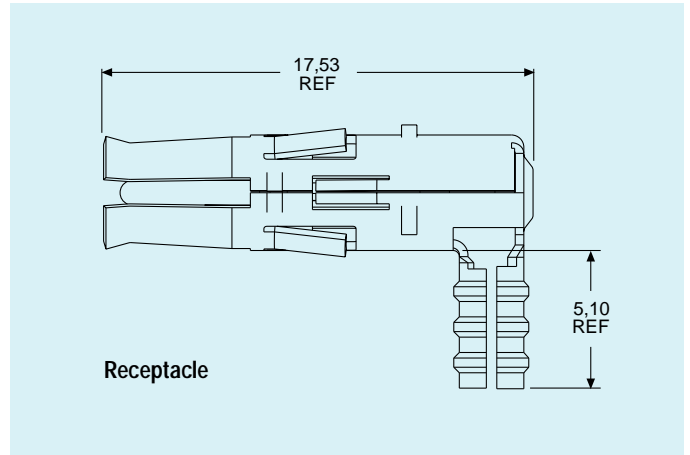
Loose Contacts Size 8 – Coaxial 75 Ohm – 90°

90° Crimp Braid/Solder Center Contact

| Part Numbers | Gold over Ni | 0,76 µm Gold over Ni | 1,27 µm Gold over Ni |
|--------------|--------------|----------------------|----------------------|
| Plug | D130357-1 | D130357 | D130357-4 |
| Receptacle | D130356-1 | D130356 | D130356-3 |



Note: Ferrule not shown.



Note: Ferrule not shown.

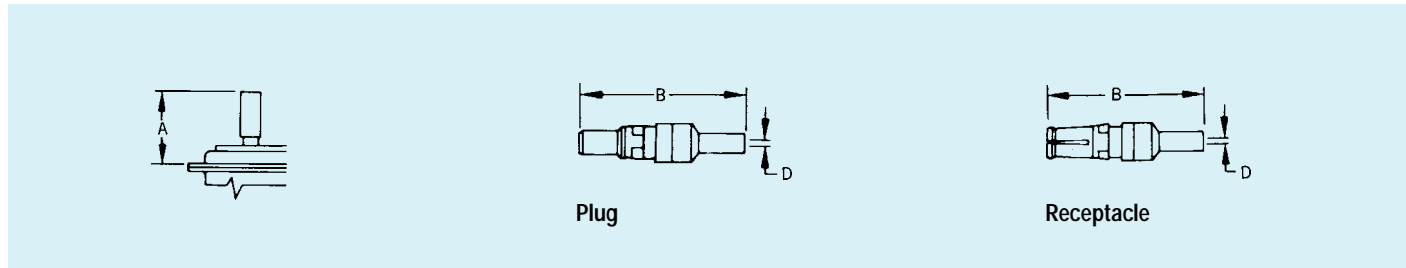
Tooling for 90° Crimp Braid



| Description | Part Number |
|-------------|--------------|
| Hand Tool | 995-0001-761 |
| Die Set | 995-2000-110 |

Loose Contacts Size 8 – Coaxial 50 Ohm, Straight

Straight Crimp Braid

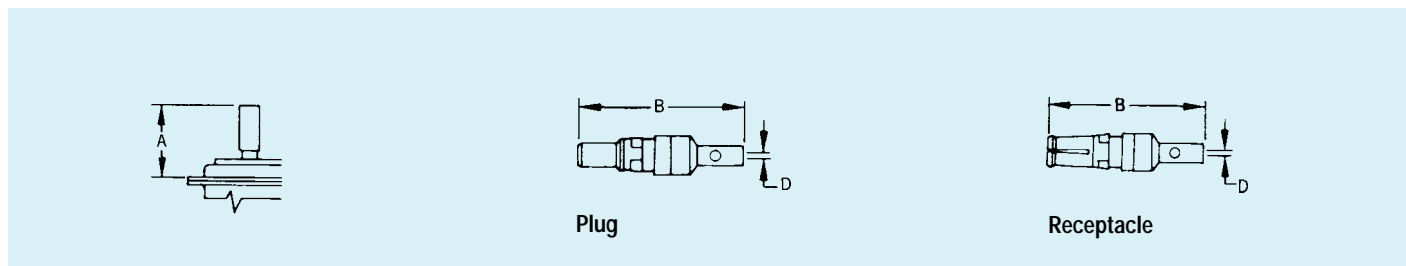


Note: Dimensions include outer sleeve.

| | Part Number | Part Number | A max | B max | D min | RG Cable Number | |
|------------|------------------|--------------------------|----------|----------|----------|-----------------|------------------|
| | Gold over Nickel | 1,27 µm Gold over Copper | | | | old | new |
| Plug | DM53740 | DM35740-17 | 18,80 | 24,00 | 1,00 | 196/U | 178B/U |
| Plug | DM53740-1 | DM53740-15 | 18,80 | 24,00 | 1,70 | 187/U 188/U | 179B/U 316B/U |
| Plug | DM53740-35 | - | 18,80 | 24,00 | 1,70 | - | RD316 |
| Plug | DM53740-3 | DM53740-16 | 21,50 | 26,34 | 2,79 | 195/U | 180B/U |
| Plug | DM53740-5 | DM53740-18 | 21,50 | 26,34 | 3,18 | 58/U | 58B/U |
| Receptacle | DM53742 | DM53742-18 | 18,80 | 24,00 | 1,00 | 196/U | 178B/U |
| Receptacle | DM53742-1 | DM53742-16 | 18,80 | 24,00 | 1,70 | 187/U 188/U | 179B/U 316B/U |
| Receptacle | DM53742-36 | - | 18,80 | 24,00 | 1,70 | - | RD316 |
| Receptacle | DM53742-3 | DM53742-17 | 21,50 | 26,34 | 2,79 | 195/U | 180B/U |
| Receptacle | DM53742-5 | DM53742-19 | 21,50 | 26,34 | 3,18 | 58/U | 58B/U |

For Crimp tooling, see page 88 – 89.

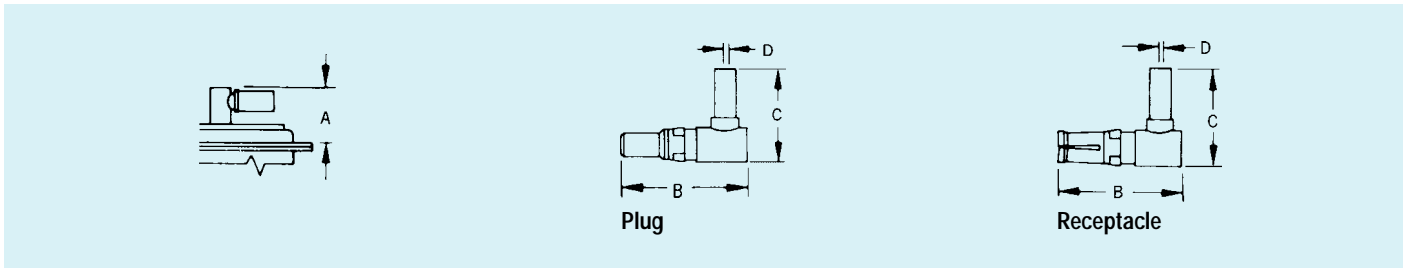
Straight Solder Braid



| | Part Number | Part Number | A max | B max | D min | RG Cable Number | |
|------------|------------------|--------------------------|----------|----------|----------|-----------------|------------------|
| | Gold over Nickel | 1,27 µm Gold over Copper | | | | old | new |
| Plug | DM53740-5008 | DM53740-5105 | 18,80 | 24,00 | 1,00 | 196/U | 178B/U |
| Plug | DM53740-5001 | DM53740-5099 | 18,80 | 24,00 | 1,70 | 187/U 188/U | 179B/U 316B/U |
| Plug | DM53740-5145 | - | 18,80 | 24,00 | 1,70 | - | RD316 |
| Plug | DM53740-5002 | DM53740-5104 | 21,50 | 26,34 | 2,79 | 195/U | 180B/U |
| Plug | DM53740-5005 | DM53740-5101 | 21,50 | 26,34 | 3,18 | 58/U | 58/U |
| Plug | DM53740-5000 | DM53740-5100 | 17,00 | 22,20 | 1,14 | 196/U | 178B/U |
| Receptacle | DM53742-5006 | DM53742-5092 | 18,80 | 24,00 | 1,00 | 196/U | 178B/U |
| Receptacle | DM53742-5001 | DM53742-5089 | 18,80 | 24,00 | 1,70 | 187/U 188/U | 179B/U 316B/U |
| Receptacle | DM53742-5126 | - | 18,80 | 24,00 | 1,70 | - | RD316 |
| Receptacle | DM53742-5002 | DM53742-5091 | 21,50 | 26,34 | 2,79 | 195/U | 180B/U |
| Receptacle | DM53742-5004 | DM53742-5086 | 21,50 | 26,34 | 3,18 | 58/U | 58/U |
| Receptacle | DM53742-5000 | DM53742-5085 | 17,00 | 22,20 | 1,14 | 196/U | 178B/U |

Loose Contacts Size 8 – Coaxial 50 Ohm, 90°

90° Crimp Braid

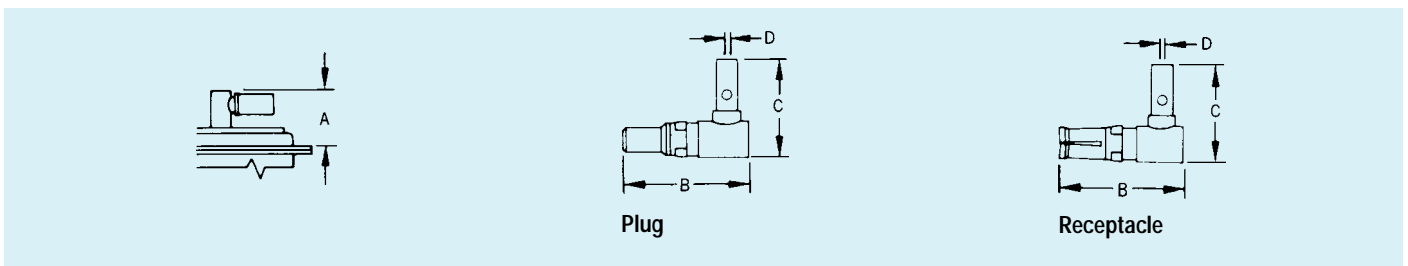


Note: Dimensions include outer sleeve.

| | Part Number Gold over Nickel | Part Number 1,27 µm Gold over Copper | A max | B max | C | D ±0,13 | RG Cable Number old | new |
|------------|---------------------------------|---|----------|----------|-------|------------|------------------------|------------------|
| Plug | DM53741 | DM53741-12 | 13,46 | 18,92 | 15,10 | 1,14 | 196/U | 178B/U |
| Plug | DM53741-1 | DM53741-11 | 13,46 | 18,92 | 15,10 | 1,83 | 187/U 188/U | 179B/U 316B/U |
| Plug | DM53741-3 | DM53741-10 | 13,46 | 18,92 | 16,00 | 2,79 | 195/U | 180B/U |
| Plug | DM53741-4 | DM53741-13 | 13,46 | 18,92 | 16,00 | 3,18 | 58/U | 58B/U |
| Receptacle | DM53743-2 | DM53743-18 | 13,46 | 18,92 | 15,09 | 1,14 | 196/U | 178B/U |
| Receptacle | DM53743-3 | DM53743-16 | 13,46 | 18,92 | 15,09 | 1,83 | 187/U 188/U | 179B/U 316B/U |
| Receptacle | DM53743-5 | DM53743-17 | 13,46 | 18,92 | 16,00 | 2,79 | 195/U | 180B/U |
| Receptacle | DM53743-6 | DM53743-19 | 13,46 | 18,92 | 16,00 | 3,18 | 58/U | 58B/U |

For Crimp tooling, see page 88 – 89.

90° Solder Braid



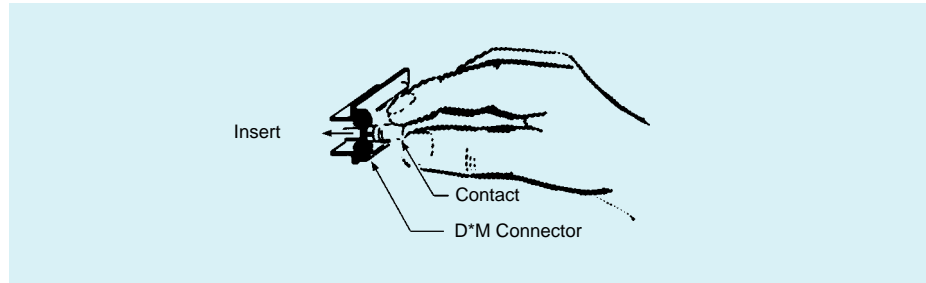
| | Part Number Gold over Nickel | Part Number 1,27 µm Gold over Copper | A max | B max | C | D ±0,13 | RG Cable Number old | new |
|------------|---------------------------------|---|----------|----------|-------|------------|------------------------|------------------|
| Plug | DM53741-5000 | DM53741-5059 | 13,46 | 18,92 | 15,10 | 1,00 | 196/U | 178B/U |
| Plug | DM53741-5001 | DM53741-5062 | 13,46 | 18,92 | 15,10 | 1,70 | 187/U 188/U | 179B/U 316B/U |
| Plug | DM53741-5003 | DM53741-5063 | 13,46 | 18,92 | 16,00 | 2,79 | 195/U | 180B/U |
| Plug | DM53741-5004 | DM53741-5060 | 13,46 | 18,92 | 16,00 | 3,18 | 58/U | 58B/U |
| Receptacle | DM53743-5000 | DM53743-5073 | 13,46 | 18,92 | 15,09 | 1,00 | 196/U | 178B/U |
| Receptacle | DM53743-5001 | DM53743-5076 | 13,46 | 18,92 | 15,09 | 1,70 | 187/U 188/U | 179B/U 316B/U |
| Receptacle | DM53743-5003 | DM53743-5077 | 13,46 | 18,92 | 16,00 | 2,79 | 195/U | 180B/U |
| Receptacle | DM53743-5004 | DM53743-5074 | 13,46 | 18,92 | 16,00 | 3,18 | 58/U | 58B/U |

Insertion / Extraction Instructions for Coaxial, High Power and High Voltage Contacts

Insertion Tool

No insertion tool is required. The contact is easily snapped in from the rear of the connector manually.

Insertion Instructions



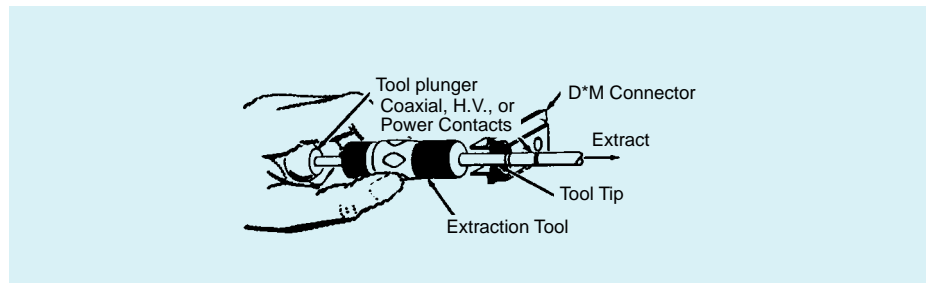
Extraction Tool

CET-CGB-2



The CET-C6B-2 tool extracts all coaxial, high power and high voltage contacts (plug and receptacle).

Operating Instructions



To extract the coaxial contact, hold the tool by the body and insert the tip into the front of the contact cavity until it bottoms and closes the coaxial retaining ring. Holding the body in this position securely enough to keep coaxial retaining ring closed, push the plunger; contact will be pushed out of the rear of the assembly.

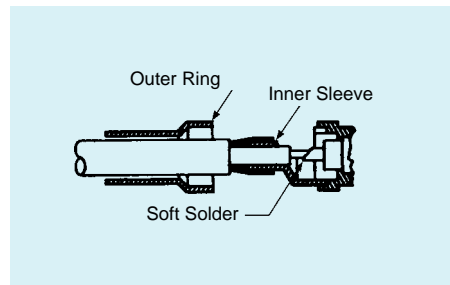
| Description | Part Number |
|-------------|-------------|
| CET-C6B-2 | 070064-0002 |

Coaxial Assembly Instructions

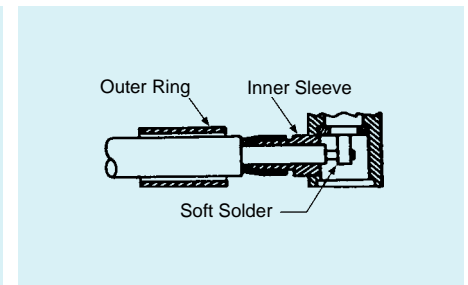
Straight and 90° Coaxial Assembly Step 1:

Slide the outer ring over the cable jacket. Trim the cable as specified in the table of Coaxial Cable Trim Dimensions (see this page). Insert the cable dielectric and center conductor into the inside diameter of the inner sleeve. Then solder the center conductor to the coaxial center contact.

Straight Coaxial



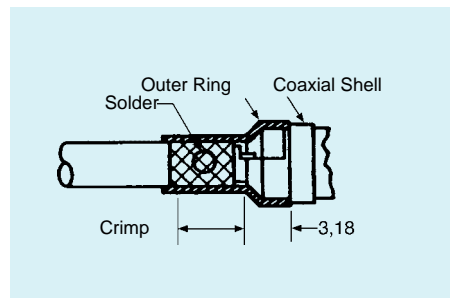
90° Coaxial



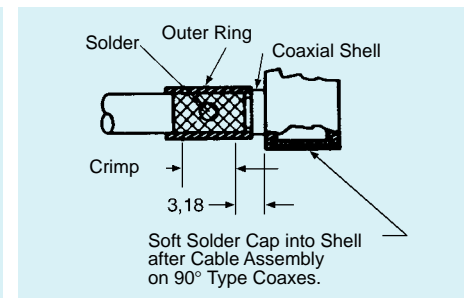
Straight and 90° Coaxial Assembly Step 2:

Slide the outer ring forward until it is flush with the coaxial shell containing the braid between the outer ring and the inner sleeve. For solder type coaxes, soft solder the outer ring to the assembly through the cross-drilled solder hold. For crimp type coaxes, crimp with the appropriate tool in the area defined.

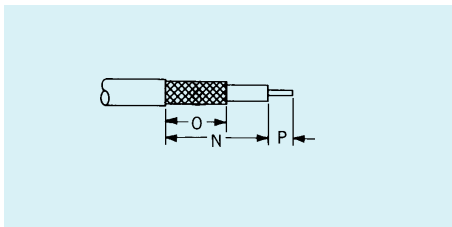
Straight Coaxial



90° Coaxial



Coaxial Cable Trim Dimensions



| Straight Coaxial | | | |
|---|-------|------|------|
| RG Cable Number | N | O | P |
| 196/U, 178B/U, 187/U, 188/U, 179B/U, 316B/U | 7,92 | 6,35 | 1,98 |
| 195/U, 180B/U, 58/U, 58B/U | 9,52 | 7,92 | 1,98 |
| 90° Coaxial | | | |
| RG Cable Number | N | O | P |
| 196/U, 178B/U, 187/U, 188/U, 179B/U, 316B/U | 9,52 | 5,94 | 1,57 |
| 195/U, 180B/U, 58/U, 58B/U | 10,69 | 7,92 | 2,39 |

Crimp Tooling

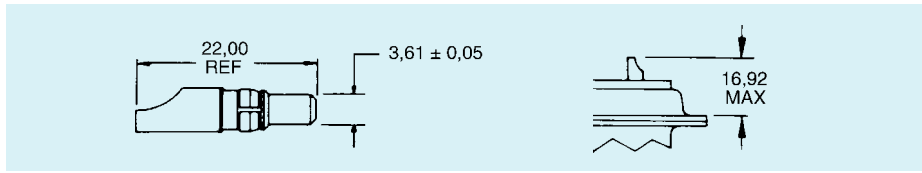


| RG Cable Number | Tool Part Number | Description | Closure |
|------------------------------|------------------|-------------|---------|
| 196/U, 178B/U | 070051-0000 | CCT-DM | C |
| 187/U, 179B/U, 188/U, 316B/U | 070051-0000 | CCT-DM | B |
| 195/U, 180B/U, 58/U, 58B/U | 070051-0000 | CCT-DM | A |

Hand Tool with integral die set for all coaxial straight crimp braid.

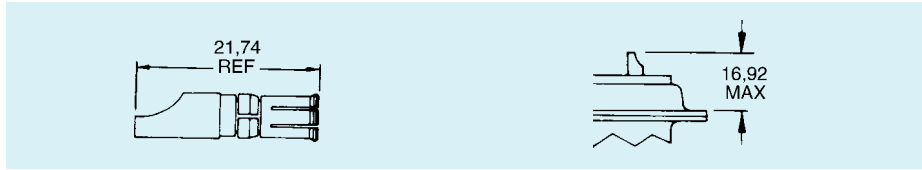
Loose Contacts Size 8 – High Power, Solder

Plug



| Part Number Gold over Nickel | Part Number 1,27 µm Gold over Nickel | Current Rating A | Wire Size AWG |
|---------------------------------|---|---------------------|------------------|
| DM53745-1 | DM53745-28 | 40 | 8 |
| DM53745-7 | DM53745-27 | 20 | 12 |
| DM53745-8 | DM53745-25 | 10 | 16 |

Receptacle



| Part Number Gold over Nickel | Part Number 1,27 µm Gold over Nickel | Current Rating A | Wire Size AWG |
|---------------------------------|---|---------------------|------------------|
| DM53744-1 | DM53744-21 | 40 | 8 |
| DM53744-6 | DM53744-25 | 20 | 12 |
| DM53744-7 | DM53744-24 | 10 | 16 |

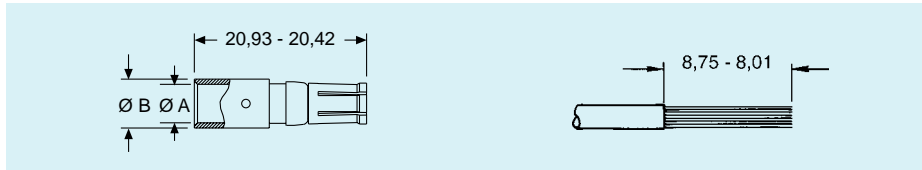
Cable (Size 8) Loose Contacts – High Power – Crimp

Plug



| Part Number Gold over Ni | Part Number 0,76 µm Gold over Ni | Part Number 1,27 µm Gold over Ni | A | B | Current Rating A | Wire Size AWG |
|-----------------------------|-------------------------------------|-------------------------------------|------|------|---------------------|------------------|
| DM130338-4 | DM130338 | DM130338-1 | 4,60 | 5,84 | 40 | 8 |
| DM130339-4 | DM130339 | DM130339-1 | 2,54 | 5,54 | 20 | 12 |
| DM130340-4 | DM130340 | DM130340-1 | 1,07 | 2,59 | 10 | 16 |

Receptacle



| Part Number Gold over Ni | Part Number 0,76 µm Gold over Ni | Part Number 1,27 µm Gold over Ni | A | B | Current Rating A | Wire Size AWG |
|-----------------------------|-------------------------------------|-------------------------------------|------|------|---------------------|------------------|
| DM130341-4 | DM130341 | DM130341-1 | 4,60 | 5,84 | 40 | 8 |
| DM130342-4 | DM130342 | DM130342-1 | 2,54 | 5,54 | 20 | 12 |
| DM130343-4 | DM130343 | DM130343-1 | 1,07 | 2,59 | 10 | 16 |

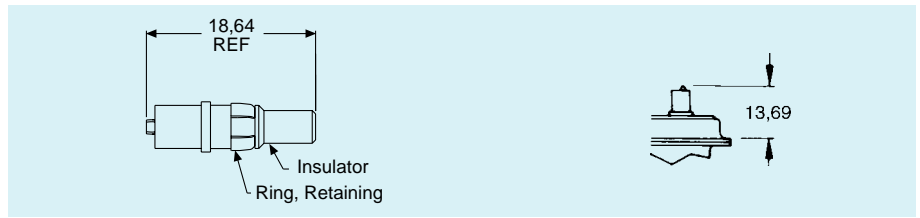
High Power Crimp Tooling



| Wire Size AWG | Crimp Tool | Tool Setting Number | Locator |
|------------------|------------|------------------------|---------|
| 8 AWG | M300-BT | 6 | TP968 |
| 10 AWG | M300-BT | 5 | TP968 |
| 12/14 AWG | M300-BT | 1 | TP968 |
| 16 AWG | FT-8 | 6 | TH554 |
| 18 AWG | FT-8 | 5 | TH554 |

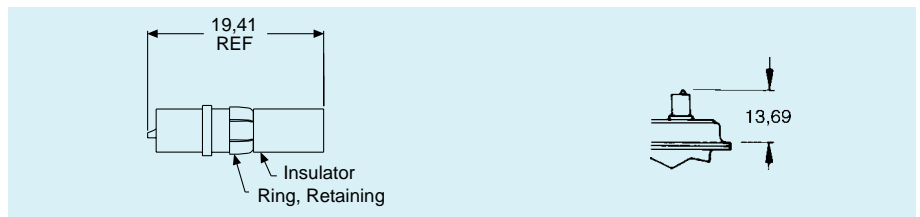
Loose Contacts Size 8 – High Voltage, Straight

Plug



| Part Number Gold over Nickel | Part Number 1,27 µm Gold | Wire Size AWG |
|---------------------------------|-----------------------------|------------------|
| DM51157 | DM51157-8 | 20 |

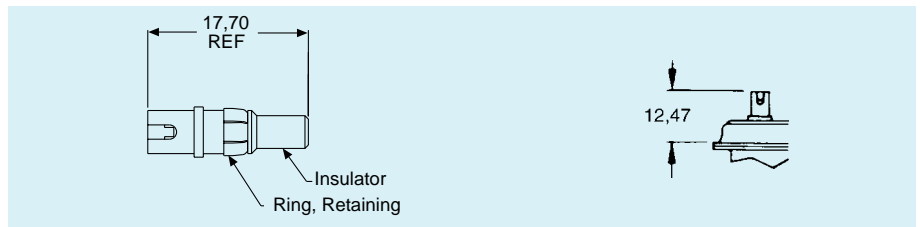
Receptacle



| Part Number Gold over Nickel | Part Number 1,27 µm Gold | Wire Size AWG |
|---------------------------------|-----------------------------|------------------|
| DM51155 | DM51155-7 | 20 |

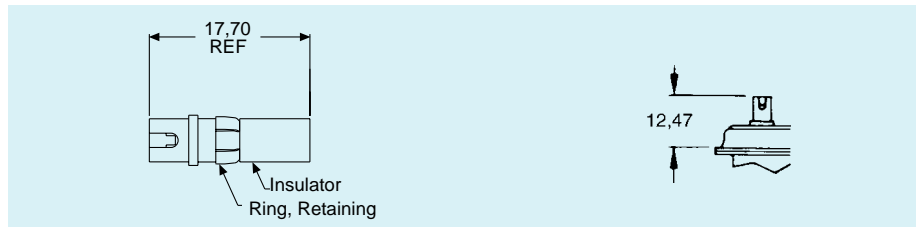
Cable (Size 8) Loose Contacts – High Voltages – 90°

Plug



| Part Number Gold over nickel | Part Number 1,27 µm Gold | Wire Size AWG |
|---------------------------------|-----------------------------|------------------|
| DM51157-5000 | DM51157-5005 | 20 |

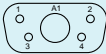
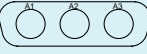

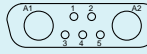
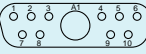
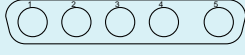
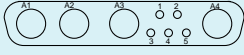
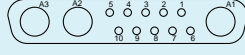
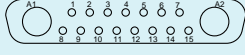
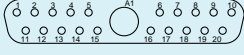

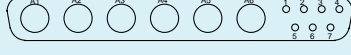
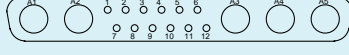
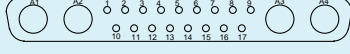
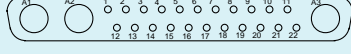
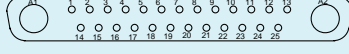
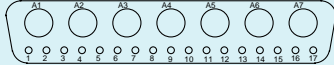
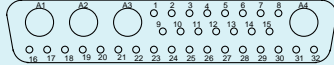
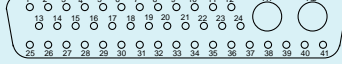
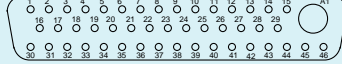
Receptacle



| Part Number Gold over Nickel | Part Number 1,27 µm Gold | Wire Size AWG |
|---------------------------------|-----------------------------|------------------|
| DM51155-5000 | DM51155-5004 | 20 |

Pin contact cavities arrangement

Face view pin insert

| | | | | | |
|--------------------------|---|--|---|---|---|
| |  |  |  |  |  |
| Shell size | E | A | A | A | A |
| Contact arrangement | 5W1 | 3W3 | 3WK3 | 7W2 | 11W1 |
| Contact cavities size 20 | 4 | 0 | 0 | 5 | 10 |
| Contact cavities size 8 | 1 | 3 | 3 | 2 | 1 |
| |  |  |  | | |
| Shell size | B | B | B | | |
| Contact arrangement | 5W5 | 9W4 | 13W3 | | |
| Contact cavities size 20 | 0 | 5 | 10 | | |
| Contact cavities size 8 | 5 | 4 | 3 | | |
| |  |  | | | |
| Shell size | B | B | | | |
| Contact arrangement | 17W2 | 21W1 | | | |
| Contact cavities size 20 | 15 | 20 | | | |
| Contact cavities size 8 | 2 | 1 | | | |
| |  |  |  | | |
| Shell size | C | C | C | | |
| Contact arrangement | 8W8 | 13W6 | 17W5 | | |
| Contact cavities size 20 | 0 | 7 | 12 | | |
| Contact cavities size 8 | 8 | 6 | 5 | | |
| |  |  |  | | |
| Shell size | C | C | C | | |
| Contact arrangement | 21WA4 | 25W3 | 27W2 | | |
| Contact cavities size 20 | 17 | 22 | 25 | | |
| Contact cavities size 8 | 4 | 3 | 2 | | |
| |  |  | | | |
| Shell size | D | D | | | |
| Contact arrangement | 24W7 | 36W4 | | | |
| Contact cavities size 20 | 17 | 32 | | | |
| Contact cavities size 8 | 7 | 4 | | | |
| |  |  | | | |
| Shell size | D | D | | | |
| Contact arrangement | 43W2 | 47W1 | | | |
| Contact cavities size 20 | 41 | 46 | | | |
| Contact cavities size 8 | 2 | 1 | | | |

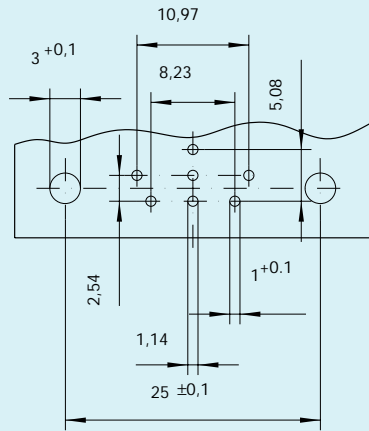
Note: size 8 cavities will accommodate removable Coaxial, High Power and High Voltage contacts

Socket contact cavities arrangement

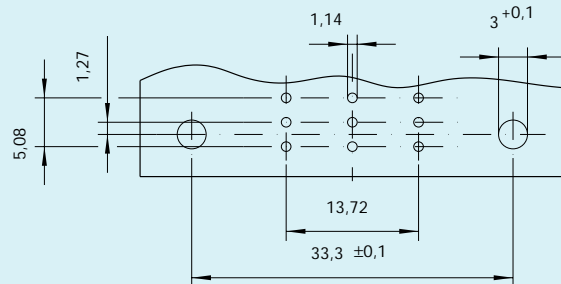
Face view socket insert

| | | | | | |
|--------------------------|--------------|-------------|-------------|------------|-------------|
| | | | | | |
| Shell size | E | A | A | A | A |
| Contact arrangement | 5W1 | 3W3 | 3WK3 | 7W2 | 11W1 |
| Contact cavities size 20 | 4 | 0 | 0 | 5 | 10 |
| Contact cavities size 8 | 1 | 3 | 3 | 2 | 1 |
| | | | | | |
| Shell size | B | B | B | B | B |
| Contact arrangement | 5W5 | 9W4 | 13W3 | | |
| Contact cavities size 20 | 0 | 5 | 10 | | |
| Contact cavities size 8 | 5 | 4 | 3 | | |
| | | | | | |
| Shell size | B | B | | | |
| Contact arrangement | 17W2 | 21W1 | | | |
| Contact cavities size 20 | 15 | 20 | | | |
| Contact cavities size 8 | 2 | 1 | | | |
| | | | | | |
| Shell size | C | C | C | | |
| Contact arrangement | 8W8 | 13W6 | 17W5 | | |
| Contact cavities size 20 | 0 | 7 | 12 | | |
| Contact cavities size 8 | 8 | 6 | 5 | | |
| | | | | | |
| Shell size | C | C | C | | |
| Contact arrangement | 21WA4 | 25W3 | 27W2 | | |
| Contact cavities size 20 | 17 | 22 | 25 | | |
| Contact cavities size 8 | 4 | 3 | 2 | | |
| | | | | | |
| Shell size | D | D | | | |
| Contact arrangement | 24W7 | 36W4 | | | |
| Contact cavities size 20 | 17 | 32 | | | |
| Contact cavities size 8 | 7 | 4 | | | |
| | | | | | |
| Shell size | D | D | | | |
| Contact arrangement | 43W2 | 47W1 | | | |
| Contact cavities size 20 | 41 | 46 | | | |
| Contact cavities size 8 | 2 | 1 | | | |

Note: size 8 cavities will accommodate removable Coaxial, High Power and High Voltage contacts

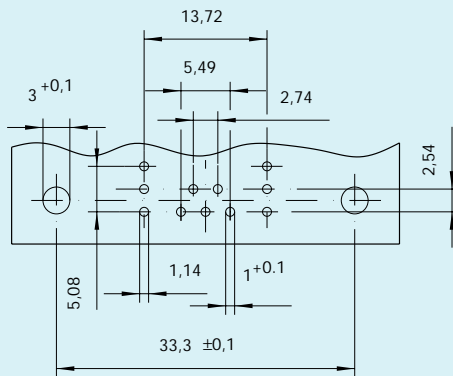


E
5C1/5X1
4
1



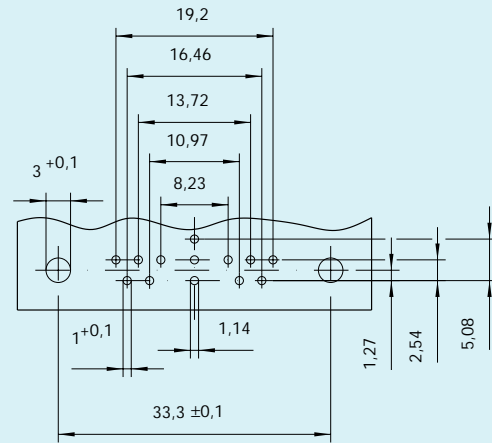
A
3C3/3X3
-
3

Shell size
Contact arrangement
Contact cavities size 20
Contact cavities size 8

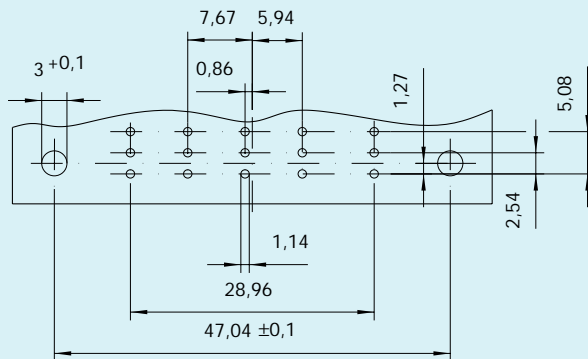


A
7C2/7X2
5
2

Shell size
Contact arrangement
Contact cavities size 20
Contact cavities size 8

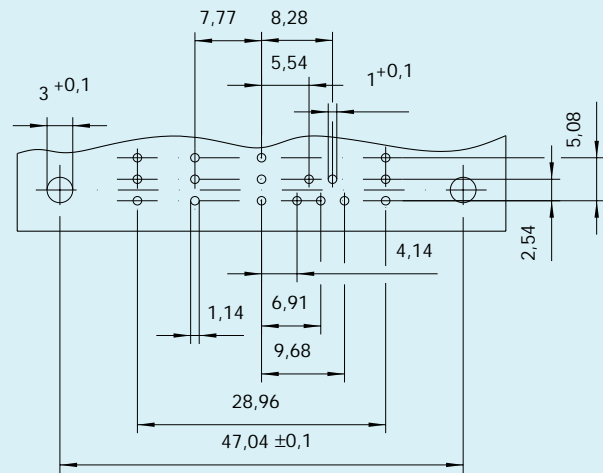


A
11C1/11X1
10
1

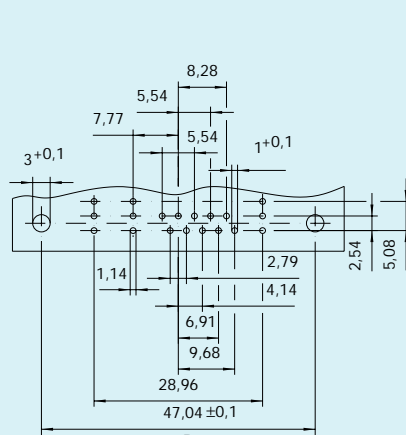


B
5C5/5X5
-
5

Shell size
Contact arrangement
Contact cavities size 20
Contact cavities size 8

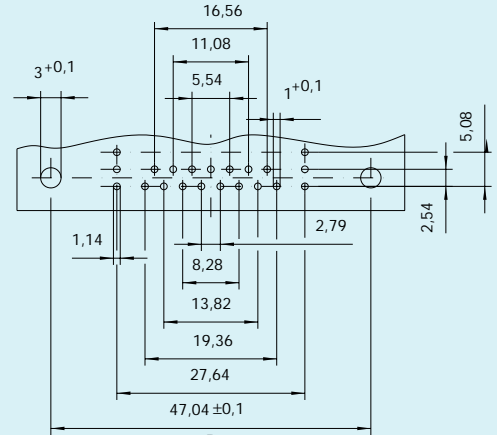


B
9C4/9X4
5
4

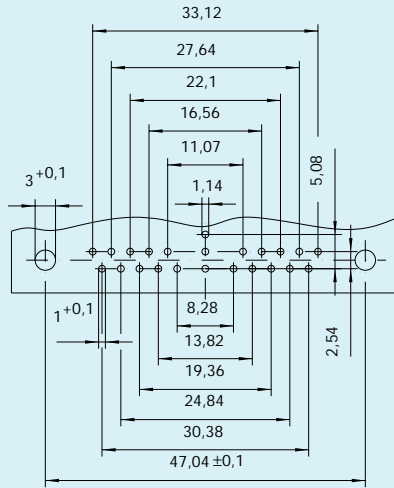


Shell size
Contact arrangement
Contact cavities size 20
Contact cavities size 8

B
13C3/13X3
10
3

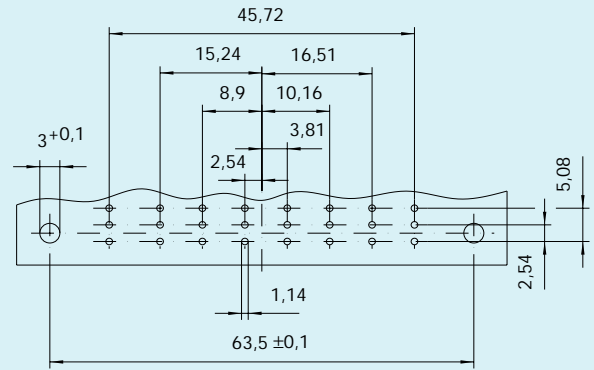


B
17C2/17X2
15
2

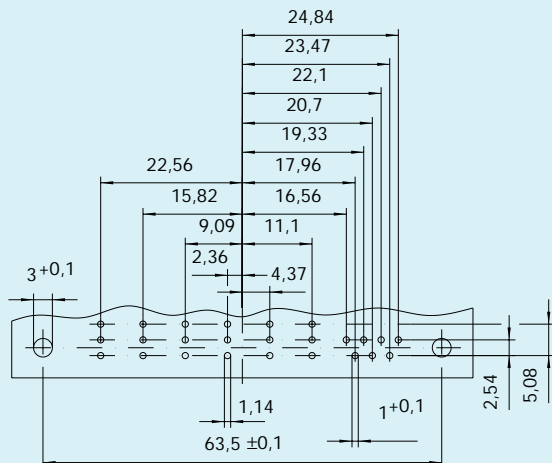


Shell size
Contact arrangement
Contact cavities size 20
Contact cavities size 8

B
21C1/21X1
20
1

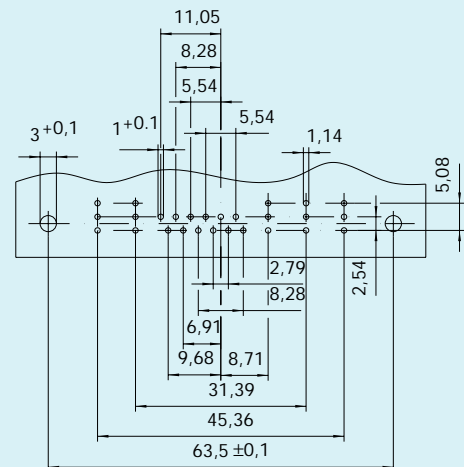


C
8C8/8X8
-
8

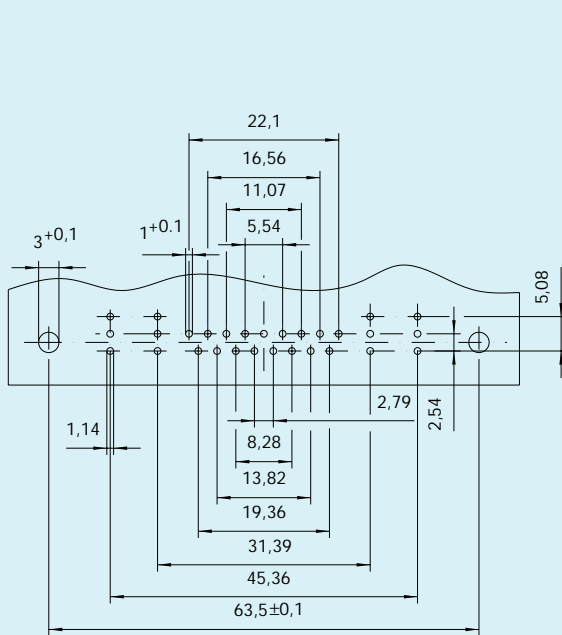


Shell size
Contact arrangement
Contact cavities size 20
Contact cavities size 8

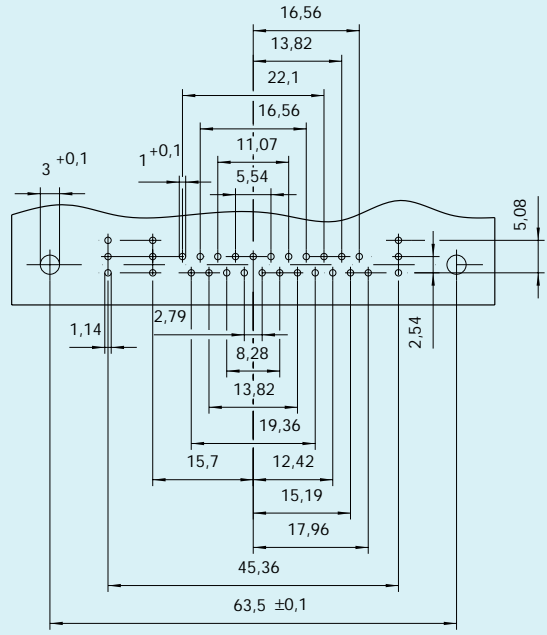
C
13C6/13X6
7
6



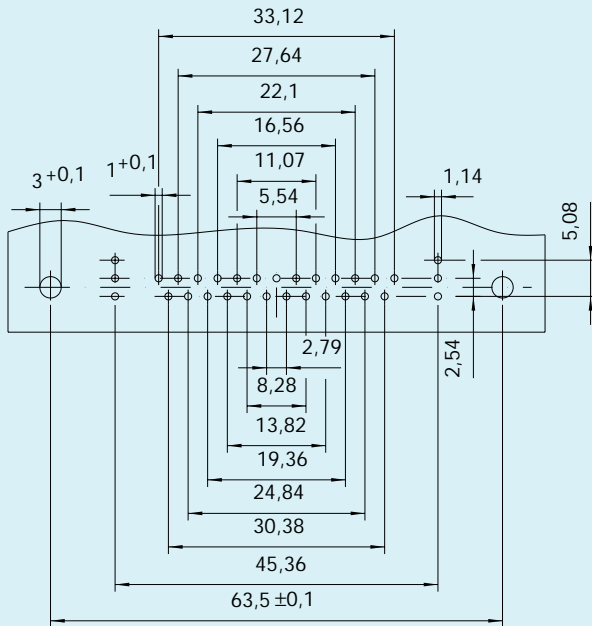
C
17C5/17X5
12
5



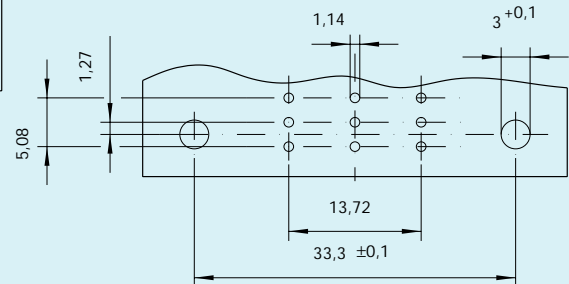
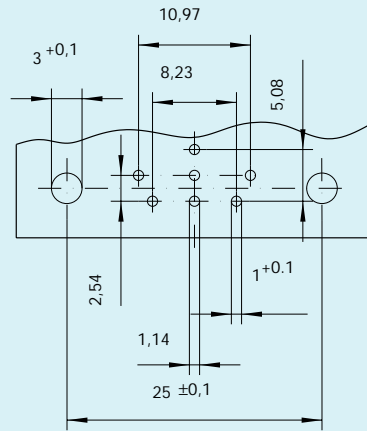
Shell size **C**
 Contact arrangement **21CA4/21XA4**
 Contact cavities size 20 **17**
 Contact cavities size 8 **4**



Shell size **C**
 Contact arrangement **25C3/25X3**
 Contact cavities size 20 **22**
 Contact cavities size 8 **3**



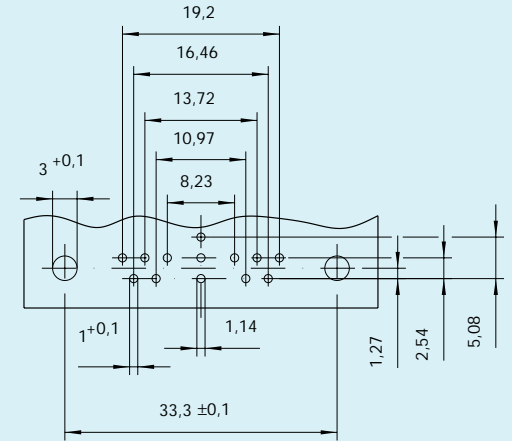
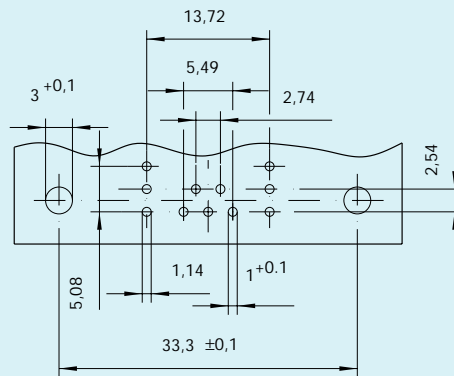
Shell size **C**
 Contact arrangement **27C2/27X2**
 Contact cavities size 20 **25**
 Contact cavities size 8 **2**



Shell size
Contact arrangement
Contact cavities size 20
Contact cavities size 8

E
5C1/5X1
4
1

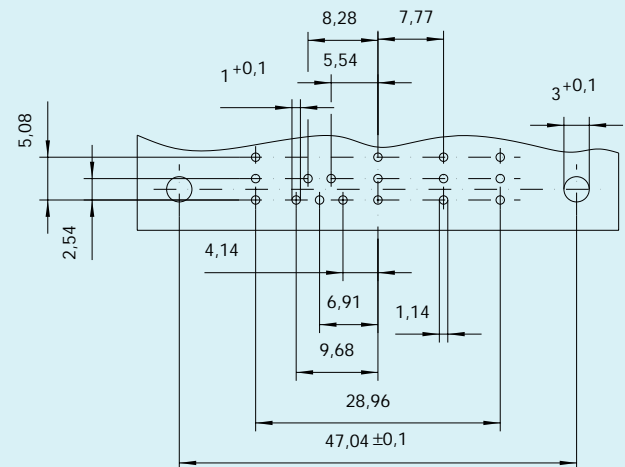
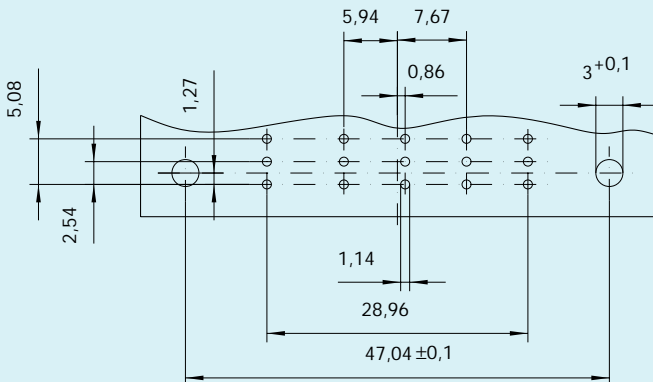
A
3C3/3X3
-
3



Shell size
Contact arrangement
Contact cavities size 20
Contact cavities size 8

A
7C2/7X2
5
2

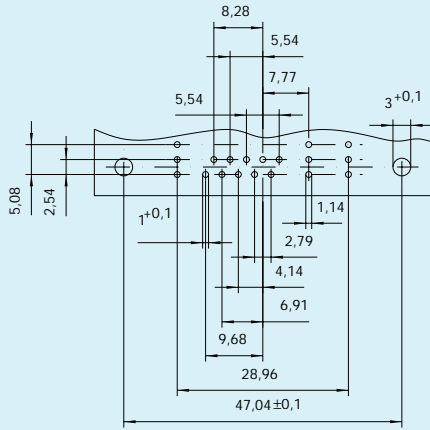
A
11C1/11X1
10
1



Shell size
Contact arrangement
Contact cavities size 20
Contact cavities size 8

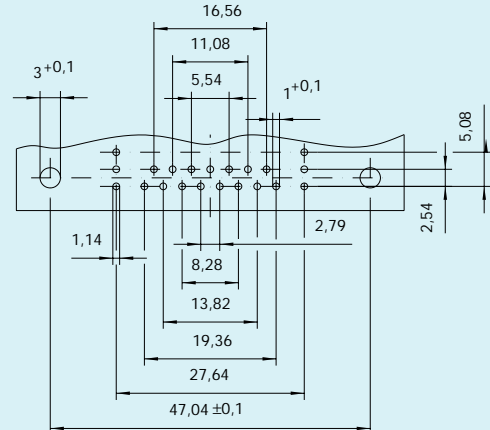
B
5C5/5X5
-
5

B
9C4/9X4
5
4

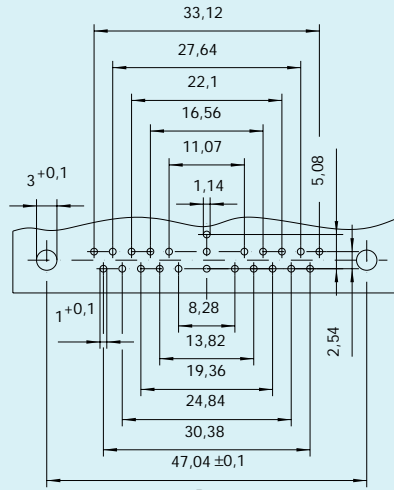


B
13C3/13X3
 10
 3
 3

Shell size
 Contact arrangement
 Contact cavities size 20
 Contact cavities size 8

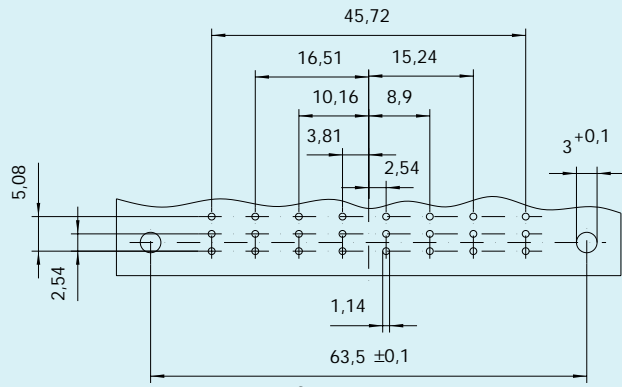


B
17C2/17X2
 15
 2

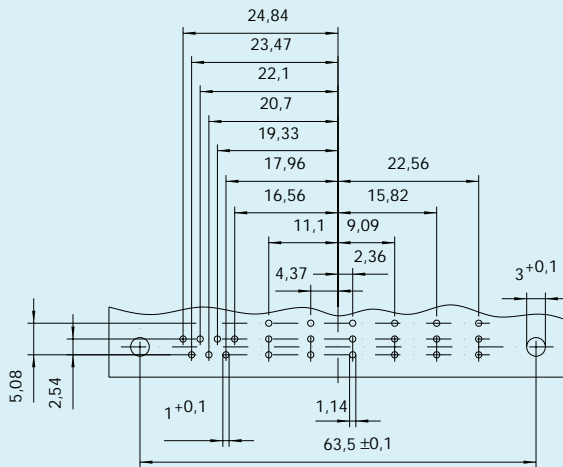


B
21C1/21X1
 20
 1

Shell size
 Contact arrangement
 Contact cavities size 20
 Contact cavities size 8

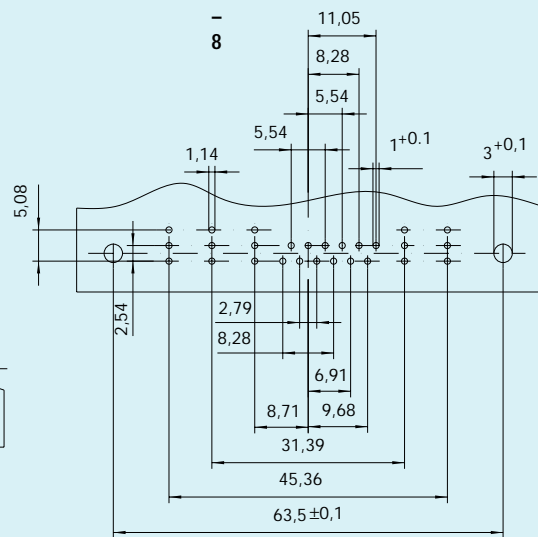


C
8C8/8X8
 -
 8

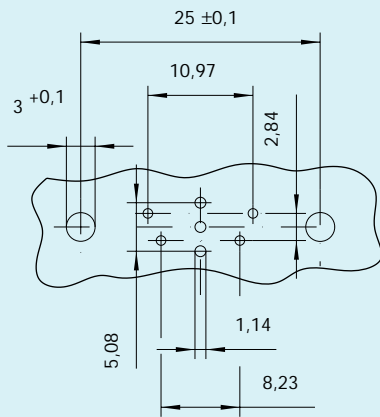


C
13C6/13X6
 7
 6

Shell size
 Contact arrangement
 Contact cavities size 20
 Contact cavities size 8

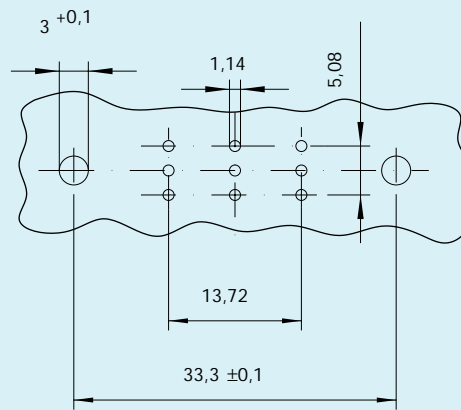


C
17C5/17X5
 12
 5

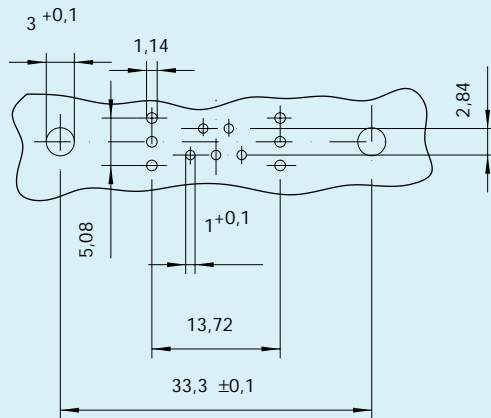


Shell size
Contact arrangement
Contact cavities size 20
Contact cavities size 8

E
5C1/5X1
4
1

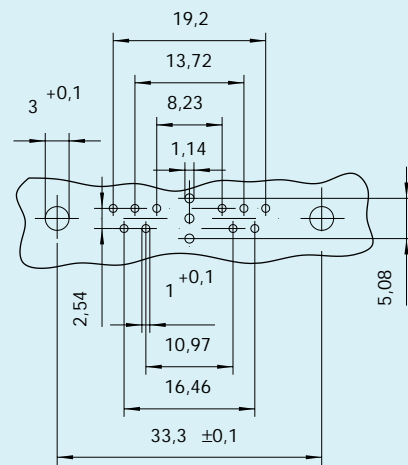


A
3C3/3X3
-
3

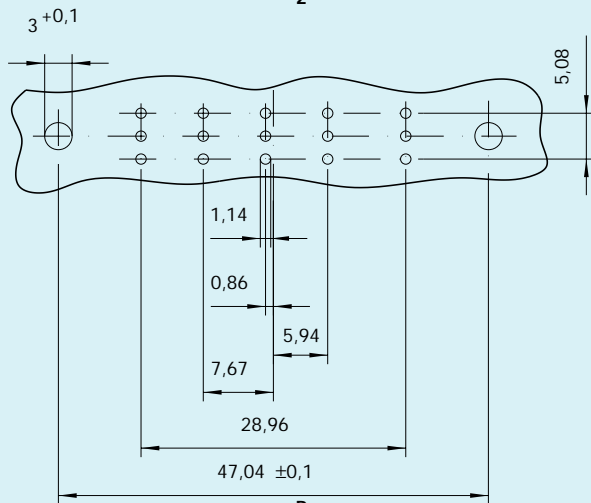


Shell size
Contact arrangement
Contact cavities size 20
Contact cavities size 8

A
7C2/7X2
5
2

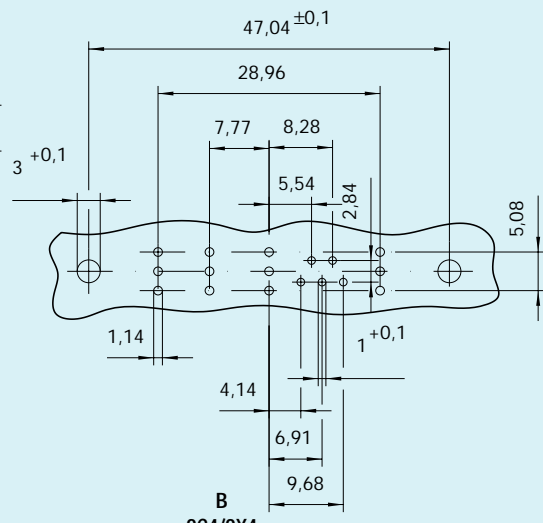


A
11C1/11X1
10
1

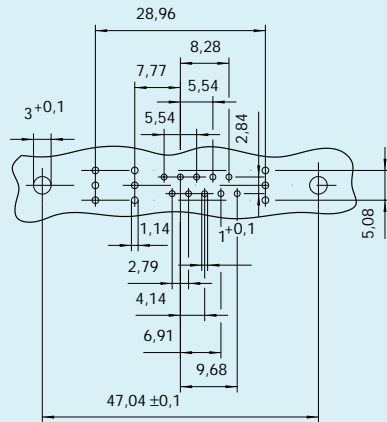


Shell size
Contact arrangement
Contact cavities size 20
Contact cavities size 8

B
5C5/5X5
-
5

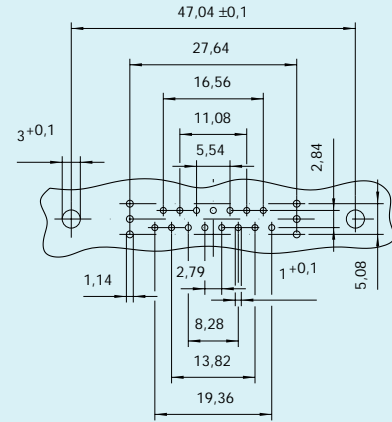


B
9C4/9X4
5
4

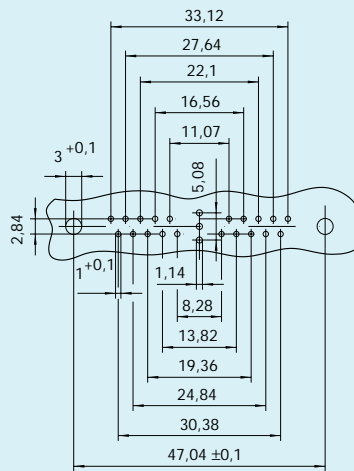


Shell size
Contact arrangement
Contact cavities size 20
Contact cavities size 8

B
13C3/13X3
10
3

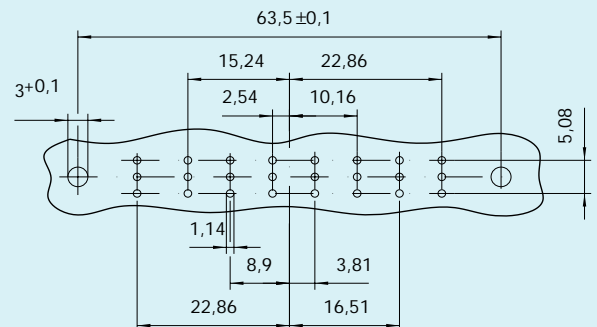


B
17C2/17X2
15
2

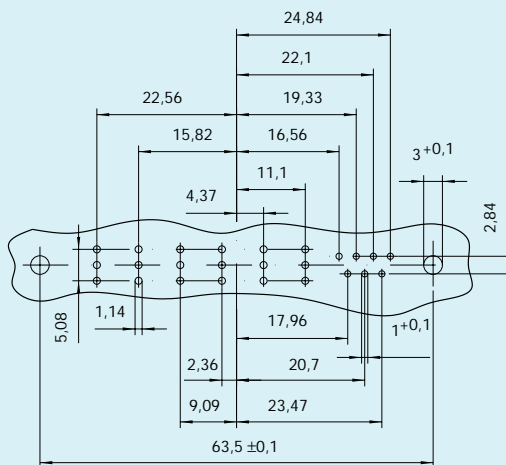


Shell size
Contact arrangement
Contact cavities size 20
Contact cavities size 8

B
21C1/21X1
20
1

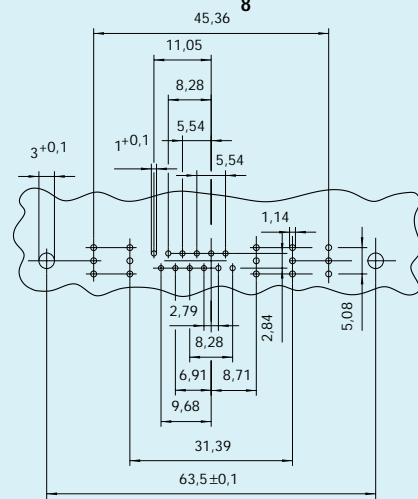


C
8C8/8X8
-
8

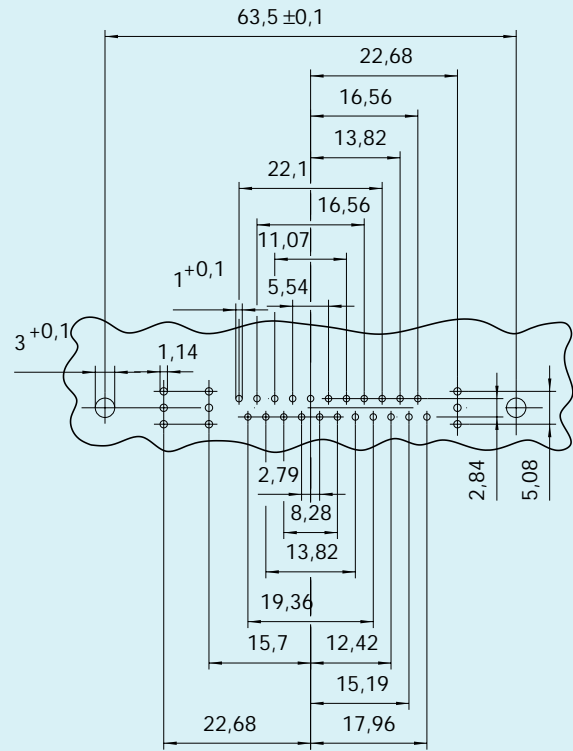
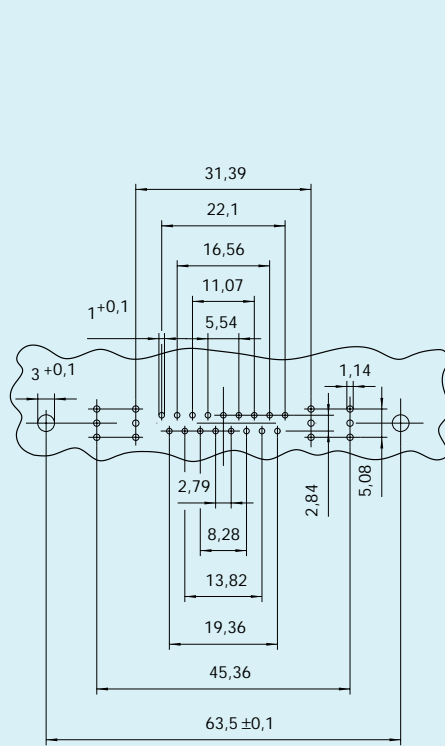


Shell size
Contact arrangement
Contact cavities size 20
Contact cavities size 8

C
13C6/13X6
7
6



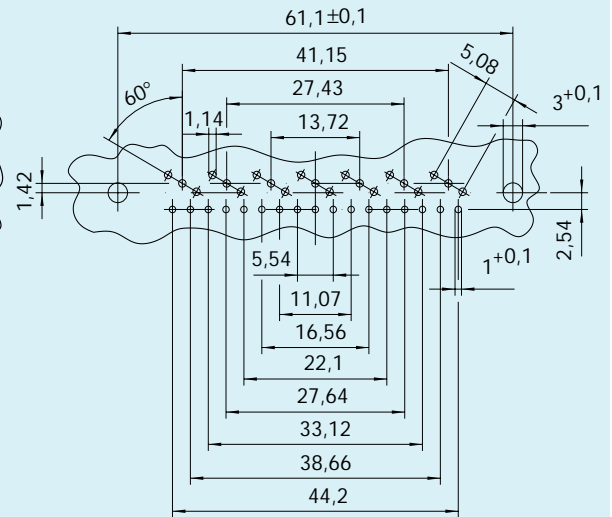
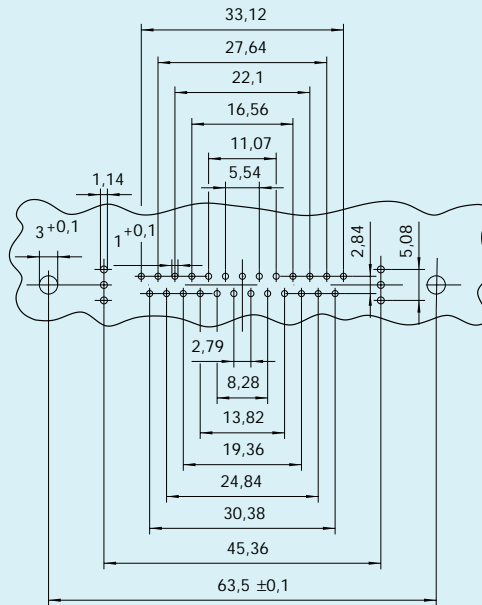
C
17C5/17X5
12
5



Shell size
Contact arrangement
Contact cavities size 20
Contact cavities size 8

C
21CA4/21XA4
17
4

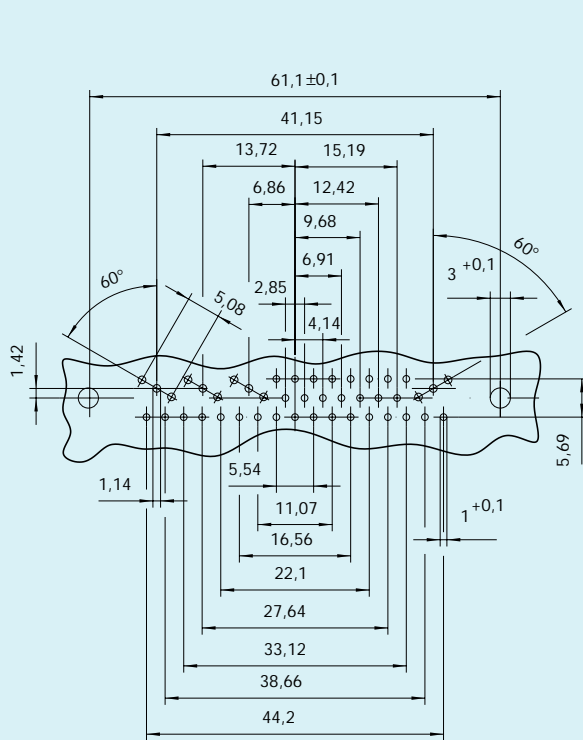
C
25C3/25X3
22
3



Shell size
Contact arrangement
Contact cavities size 20
Contact cavities size 8

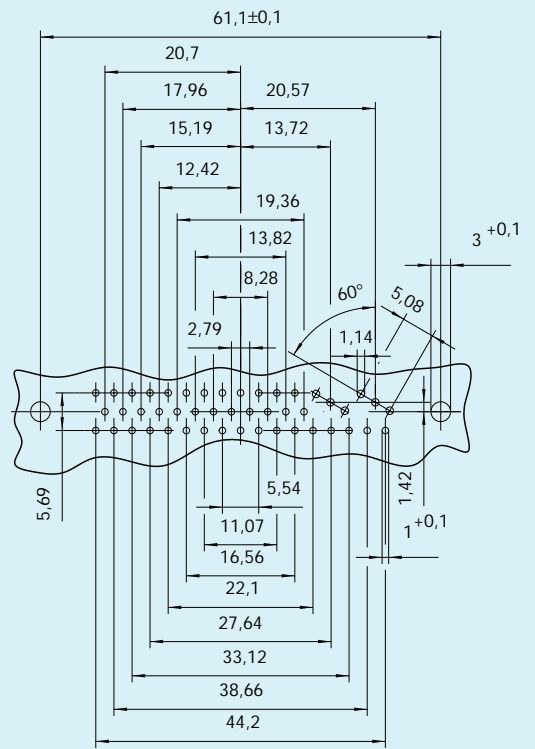
C
27C2/27X2
25
2

D
24C7/24X7
17
7

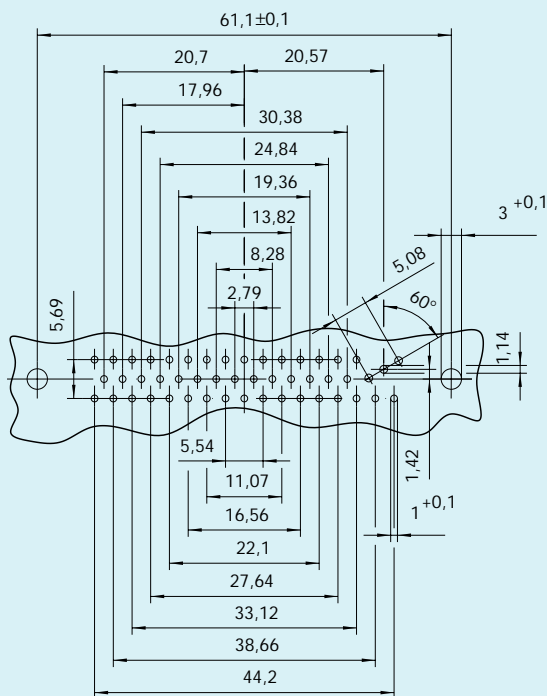


Shell size
 Contact arrangement
 Contact cavities size 20
 Contact cavities size 8

D
36C4/36X4
32
4

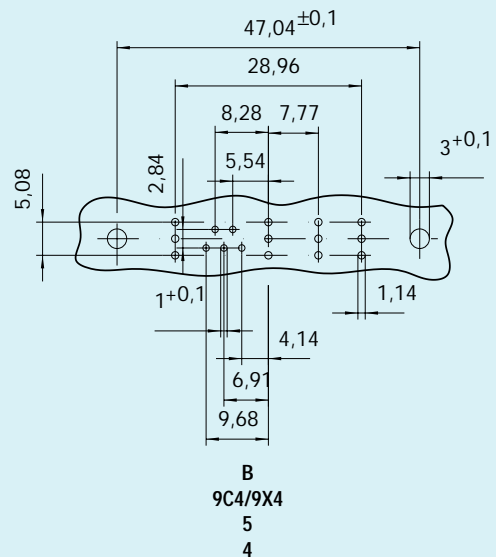
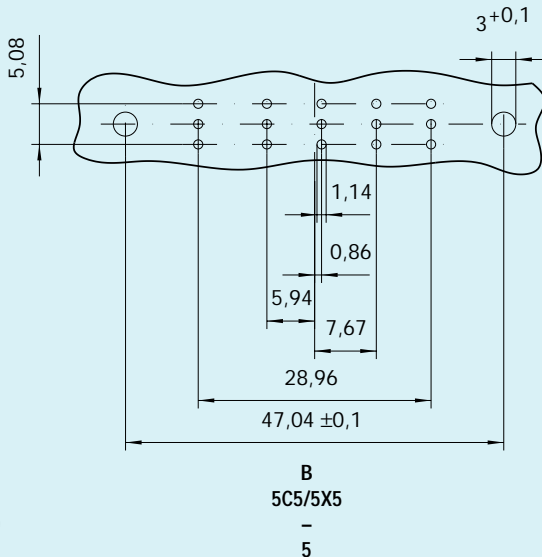
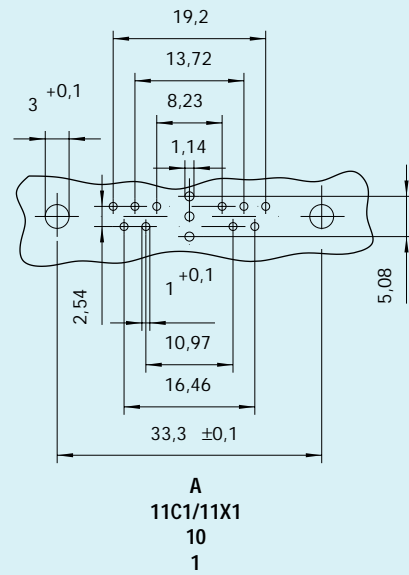
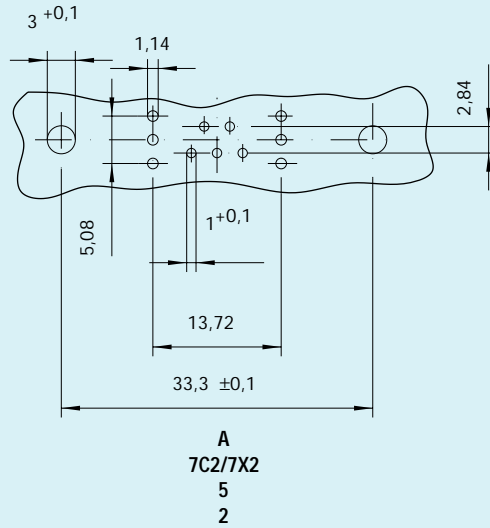
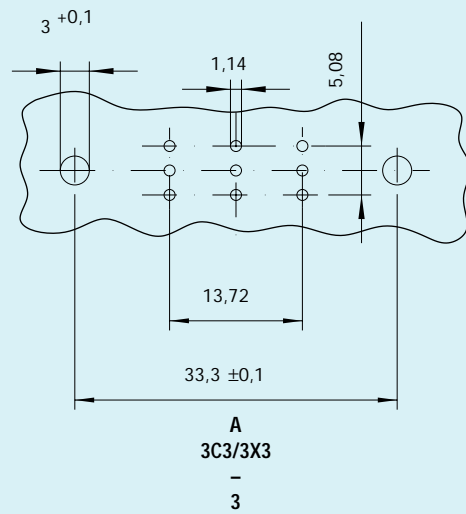
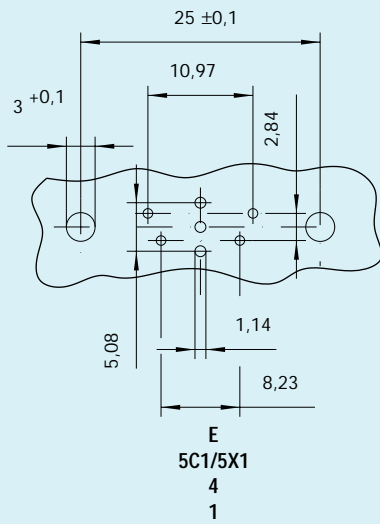


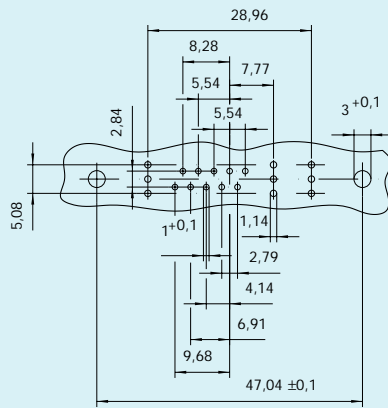
D
43C2/43X2
41
2



Shell size
 Contact arrangement
 Contact cavities size 20
 Contact cavities size 8

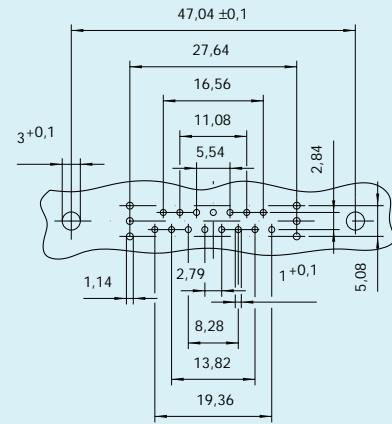
D
47C1/47X1
46
1



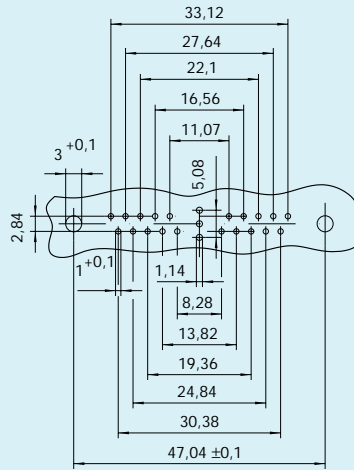


Shell size
Contact arrangement
Contact cavities size 20
Contact cavities size 8

B
13C3/13X3
10
3

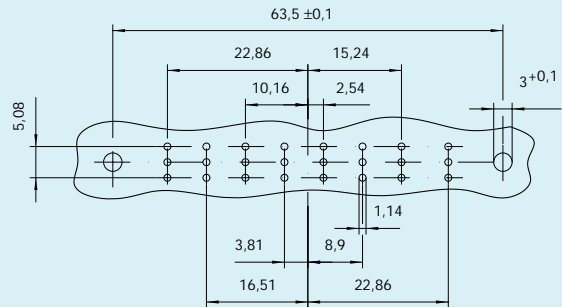


B
17C2/17X2
15
2

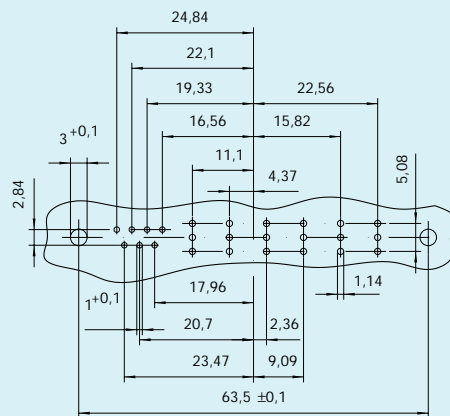


Shell size
Contact arrangement
Contact cavities size 20
Contact cavities size 8

B
21C1/21X1
20
1

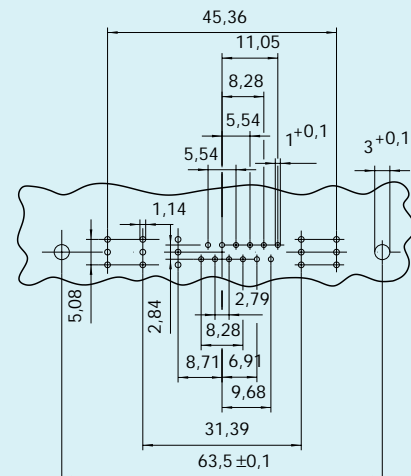


C
8C8/8X8
-
8

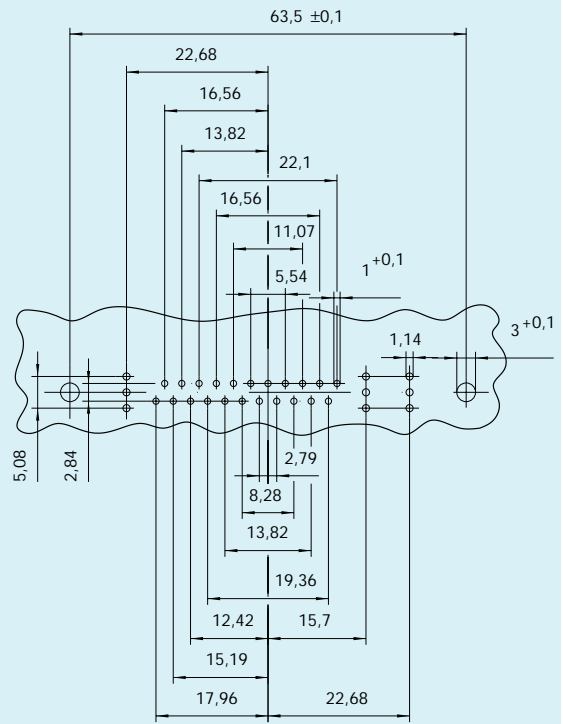
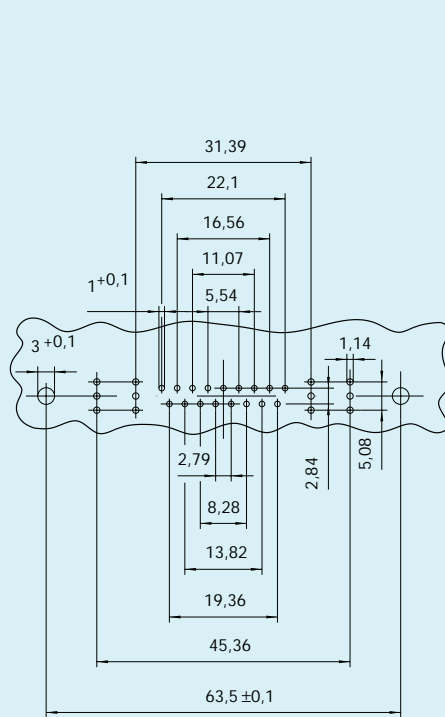


Shell size
Contact arrangement
Contact cavities size 20
Contact cavities size 8

C
13C6/13X6
7
6

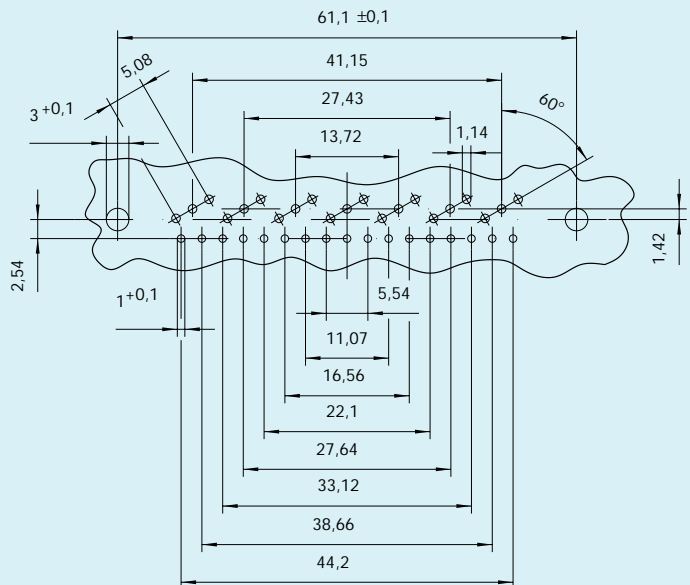
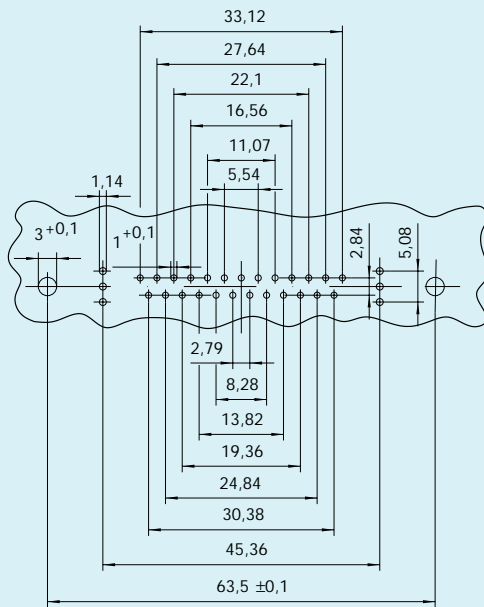


C
17C5/17X5
12
5



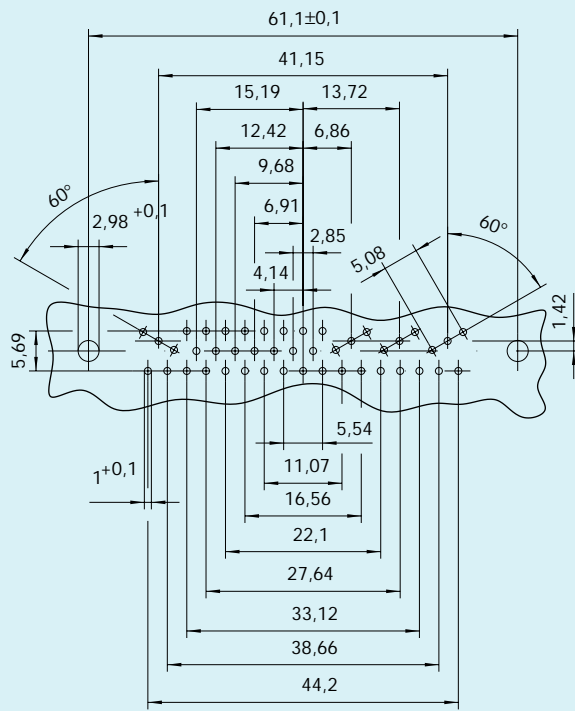
Shell size **C**
 Contact arrangement **21CA4/21XA4**
 Contact cavities size 20 **17**
 Contact cavities size 8 **4**

Shell size **C**
 Contact arrangement **25C3/25X3**
 Contact cavities size 20 **22**
 Contact cavities size 8 **3**



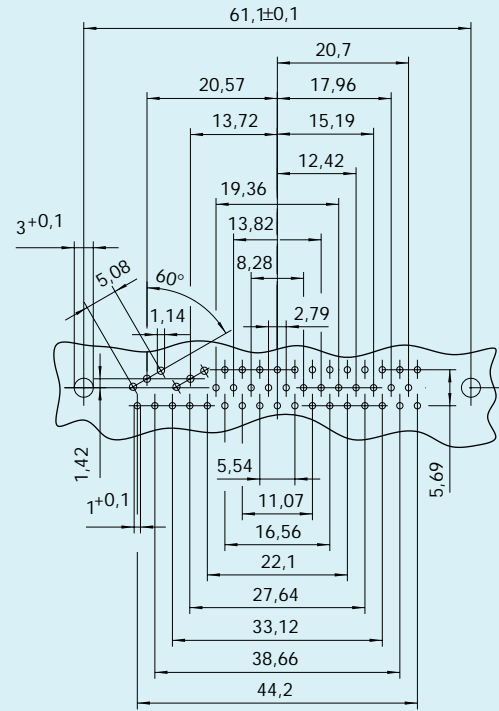
Shell size **C**
 Contact arrangement **27C2/27X2**
 Contact cavities size 20 **25**
 Contact cavities size 8 **2**

Shell size **D**
 Contact arrangement **24C7/24X7**
 Contact cavities size 20 **17**
 Contact cavities size 8 **7**

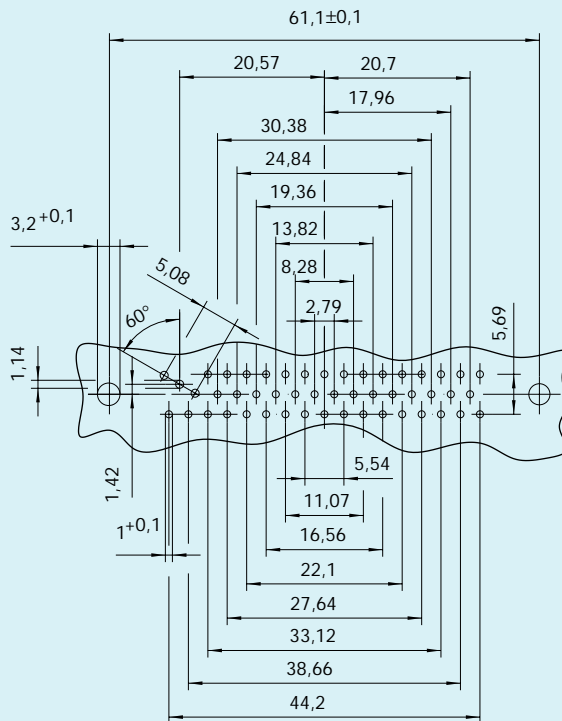


Shell size
 Contact arrangement
 Contact cavities size 20
 Contact cavities size 8

D
36C4/36X4
32
4

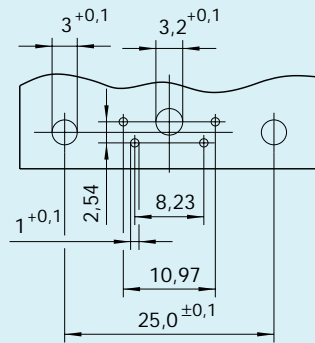


D
43C2/43X2
41
2



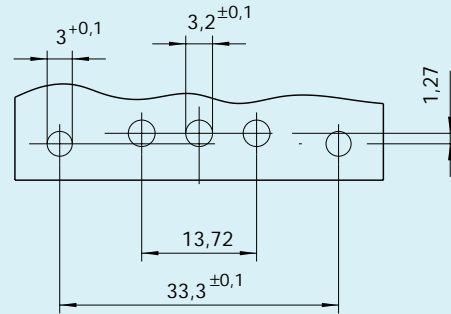
Shell size
 Contact arrangement
 Contact cavities size 20
 Contact cavities size 8

D
47C1/47X1
46
1

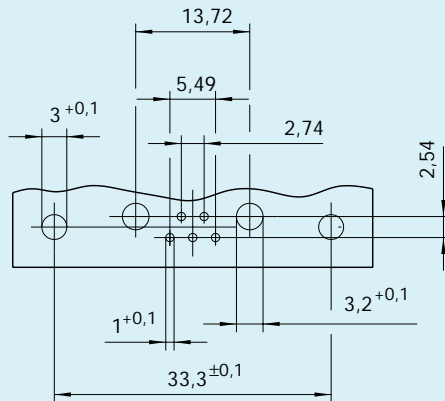


Shell size
Contact arrangement
Contact cavities size 20
Contact cavities size 8

E
5P1
4
1

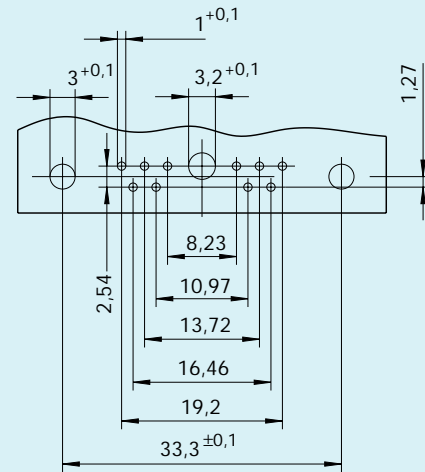


A
3P3
-
3

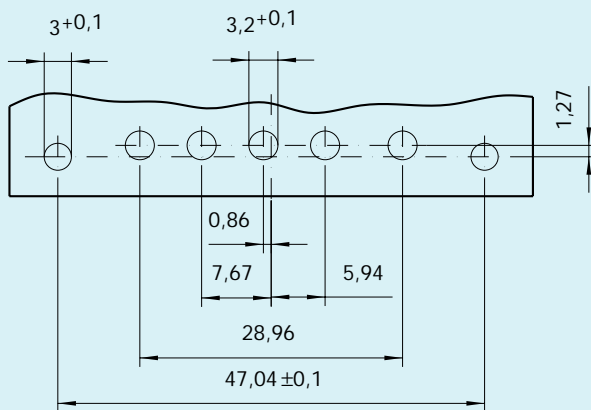


Shell size
Contact arrangement
Contact cavities size 20
Contact cavities size 8

A
7P2
5
2

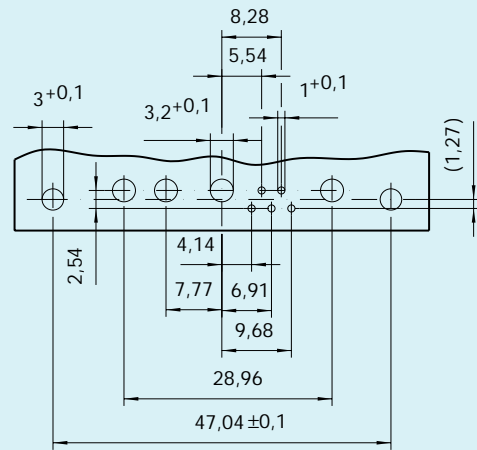


A
11P1
10
1

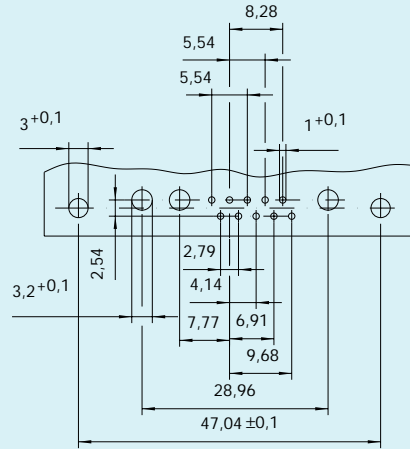


Shell size
Contact arrangement
Contact cavities size 20
Contact cavities size 8

B
5P5
-
5

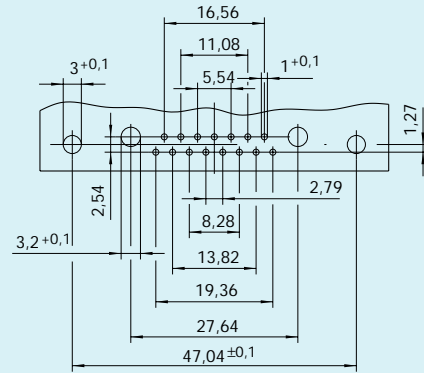


B
9P4
5
4

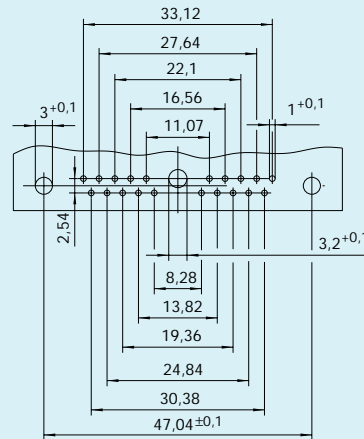


Shell size
Contact arrangement
Contact cavities size 20
Contact cavities size 8

B
13P3
10
3

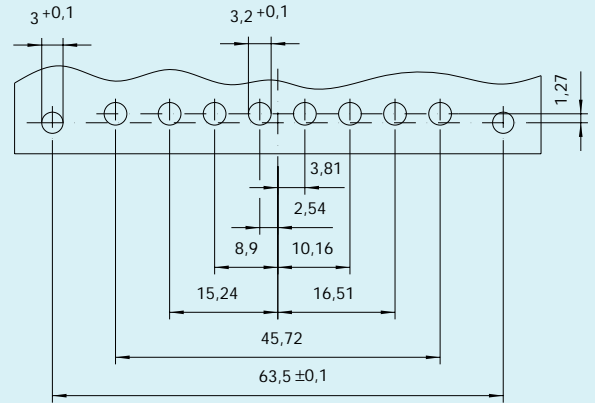


B
17P2
15
2

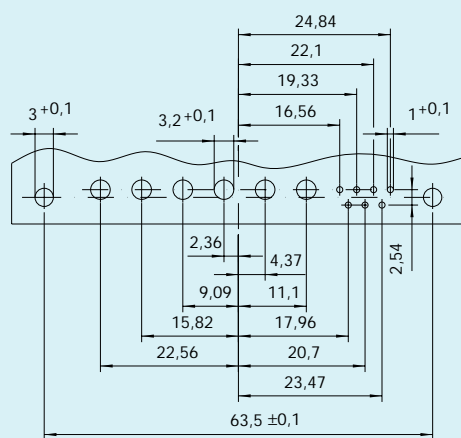


Shell size
Contact arrangement
Contact cavities size 20
Contact cavities size 8

B
21P1
20
1

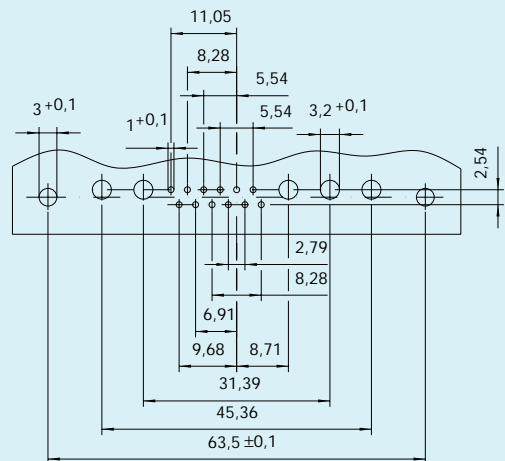


C
8P8
-
8

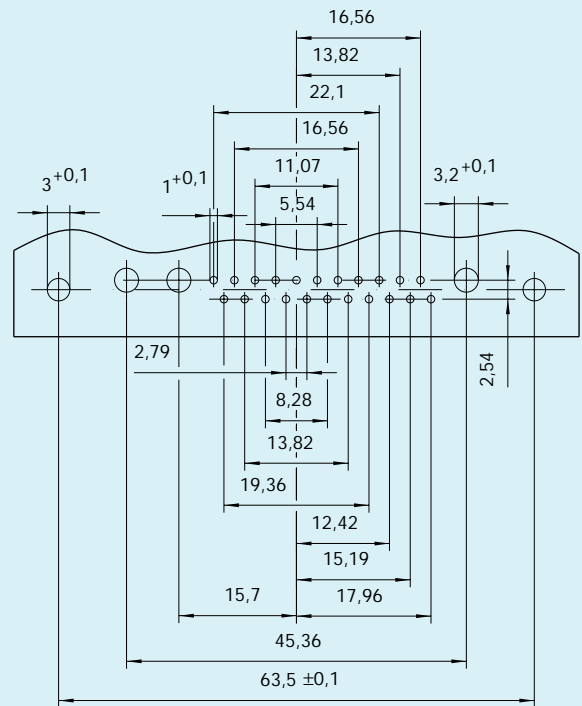
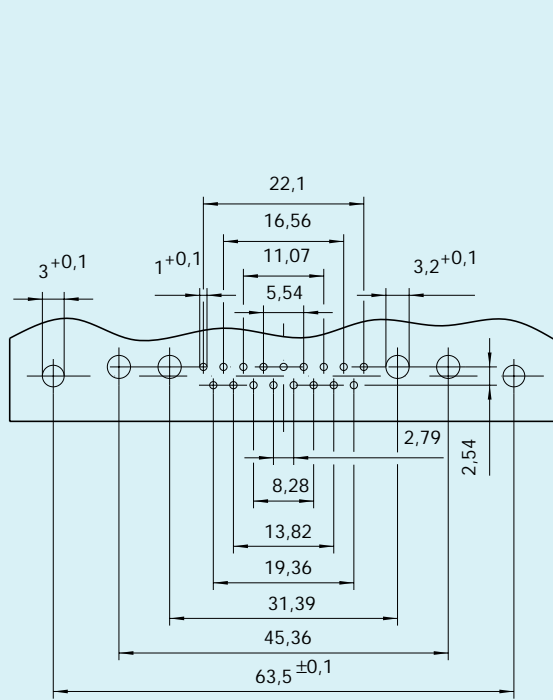


Shell size
Contact arrangement
Contact cavities size 20
Contact cavities size 8

C
13P6
7
6

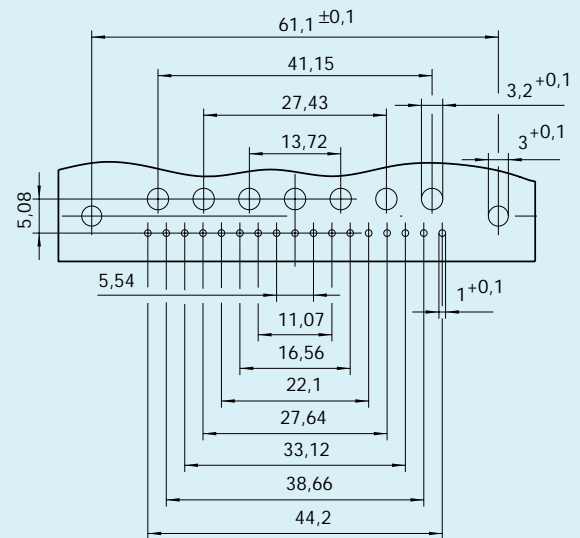
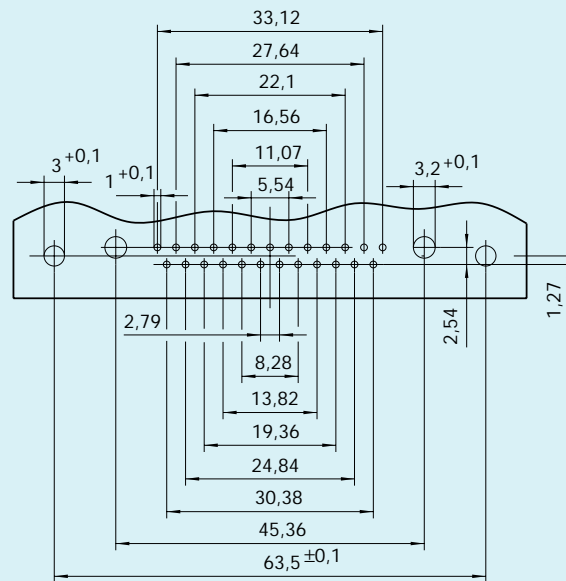


C
17P5
12
5



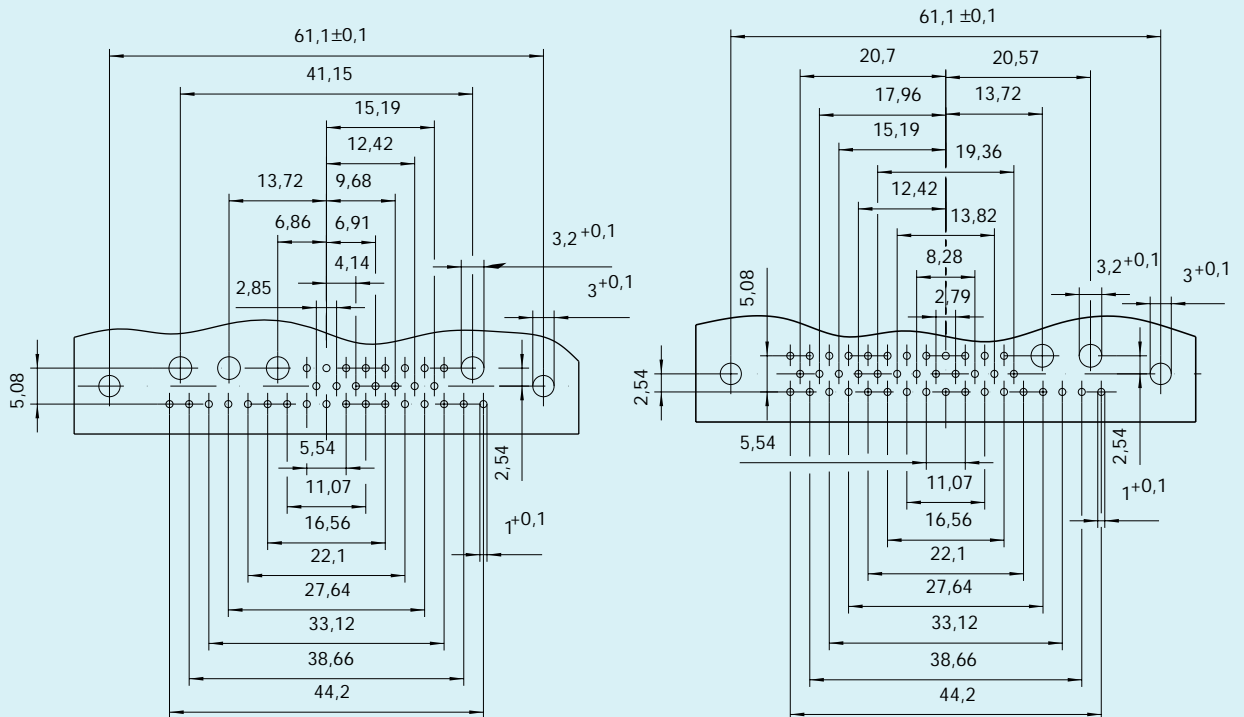
Shell size **C**
 Contact arrangement **21PA4**
 Contact cavities size 20 **17**
 Contact cavities size 8 **4**

Shell size **C**
 Contact arrangement **25P3**
 Contact cavities size 20 **22**
 Contact cavities size 8 **3**



Shell size **C**
 Contact arrangement **27P2**
 Contact cavities size 20 **25**
 Contact cavities size 8 **2**

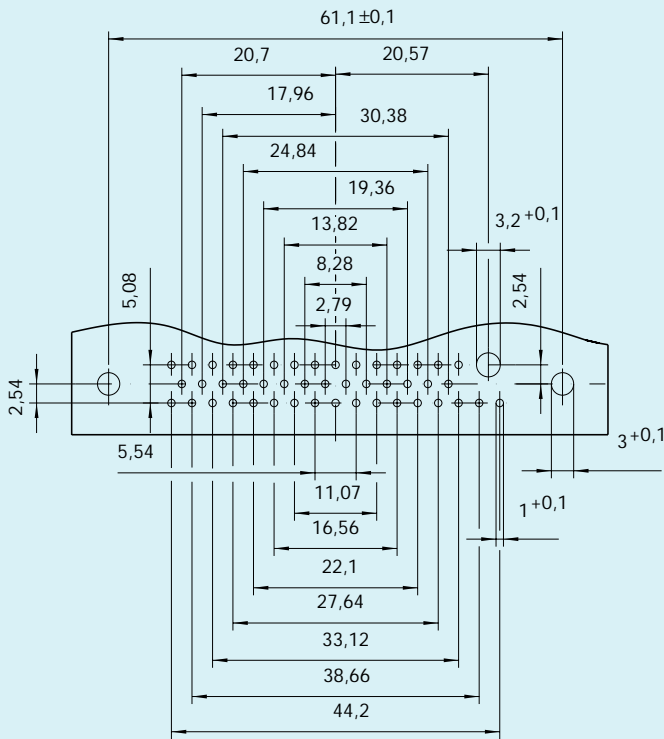
Shell size **D**
 Contact arrangement **24P7**
 Contact cavities size 20 **17**
 Contact cavities size 8 **7**



Shell size
 Contact arrangement
 Contact cavities size 20
 Contact cavities size 8

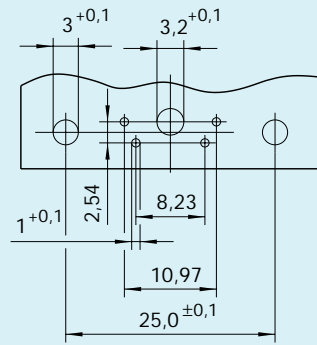
D
36P4
32
4

D
43P2
41
2



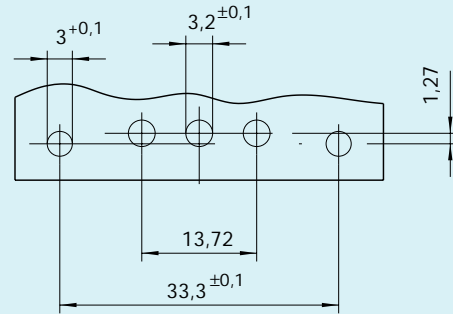
Shell size
 Contact arrangement
 Contact cavities size 20
 Contact cavities size 8

D
47P1
46
1

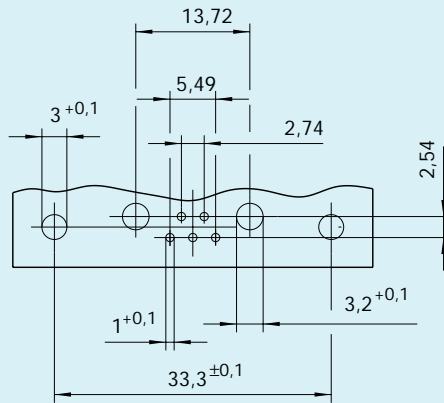


Shell size
Contact arrangement
Contact cavities size 20
Contact cavities size 8

E
5P1
4
1

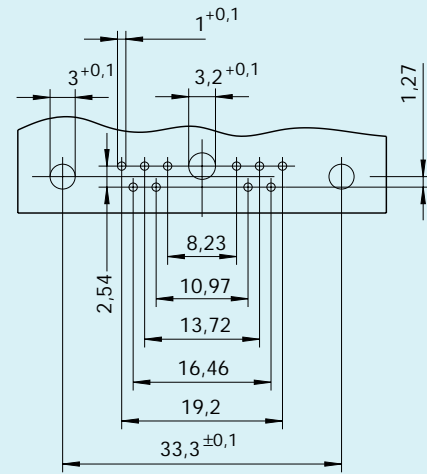


A
3P3
-
3

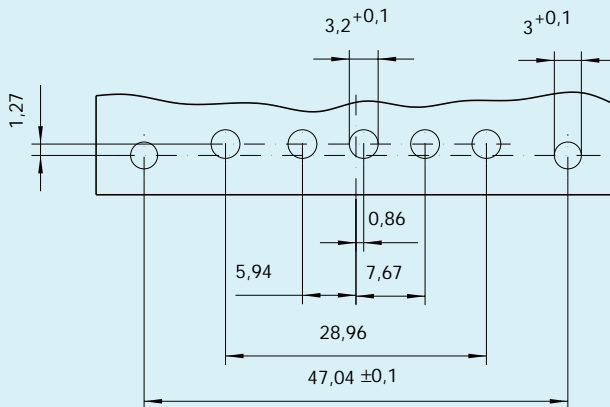


Shell size
Contact arrangement
Contact cavities size 20
Contact cavities size 8

A
7P2
5
2

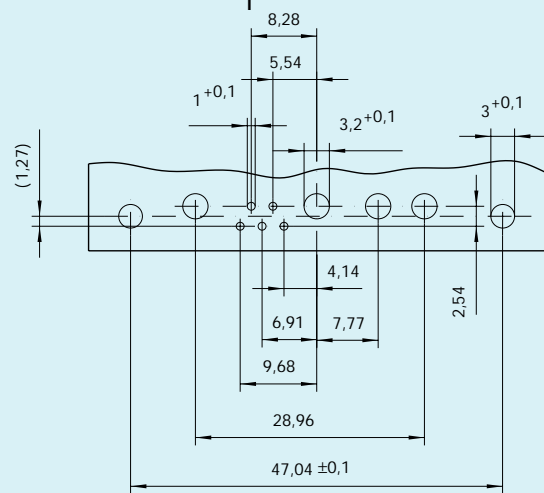


A
11P1
10
1

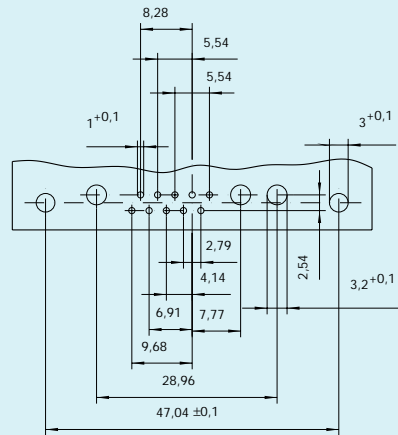


Shell size
Contact arrangement
Contact cavities size 20
Contact cavities size 8

B
5P5
-
5



B
9P4
5
4



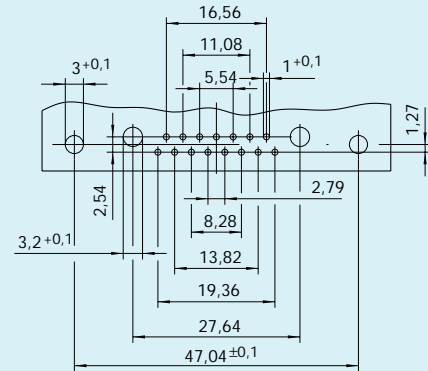
Shell size
Contact arrangement
Contact cavities size 20
Contact cavities size 8

B

13P3

10

3

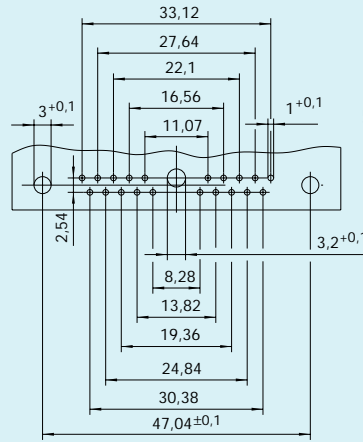


B

17P2

15

2



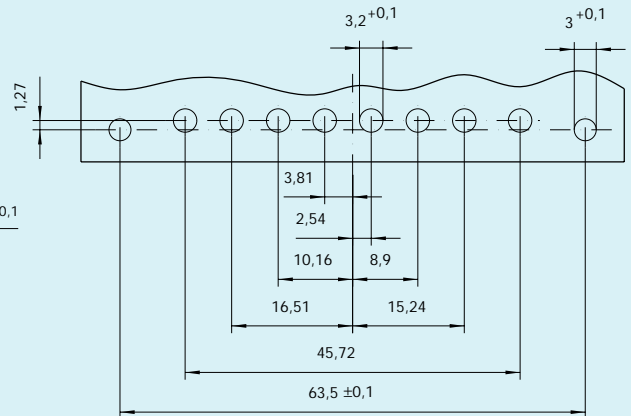
Shell size
Contact arrangement
Contact cavities size 20
Contact cavities size 8

B

21P1

20

1

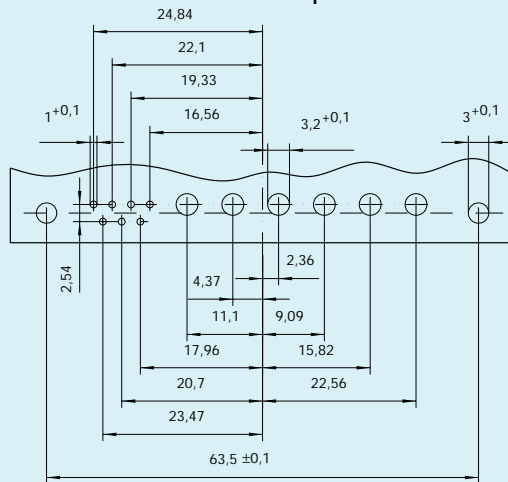


C

8P8

-

8



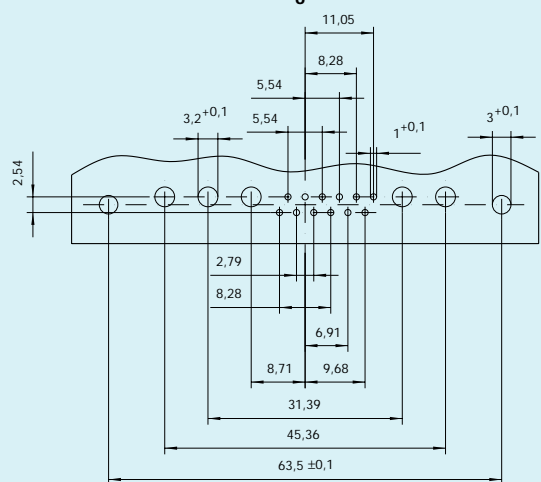
Shell size
Contact arrangement
Contact cavities size 20
Contact cavities size 8

C

13P6

7

6

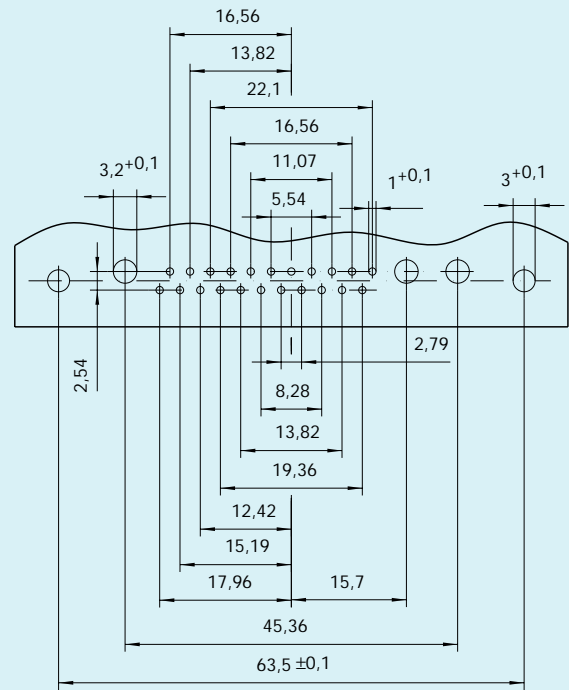
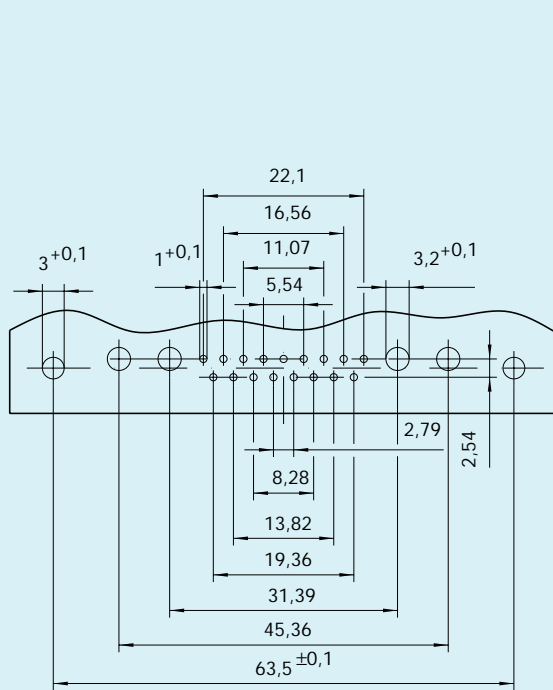


C

17P5

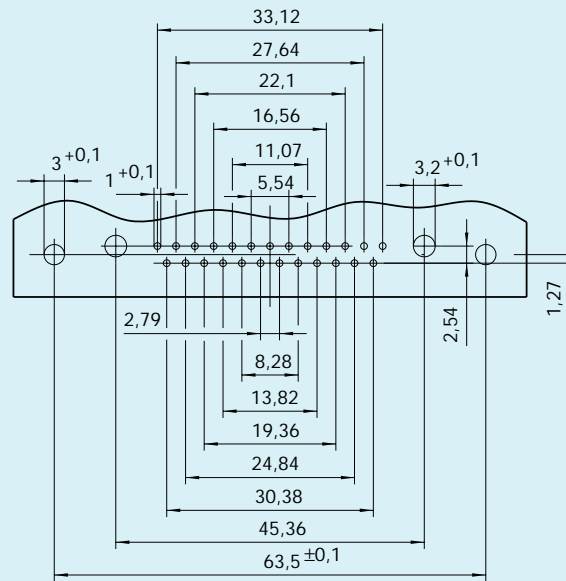
12

5

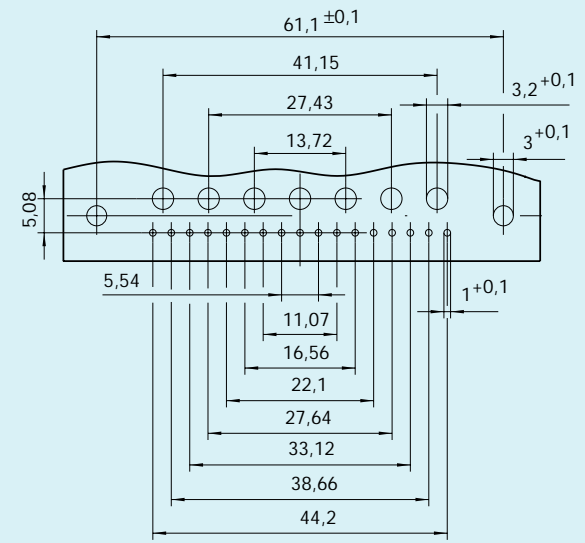


Shell size **C**
 Contact arrangement **21PA4**
 Contact cavities size 20 **17**
 Contact cavities size 8 **4**

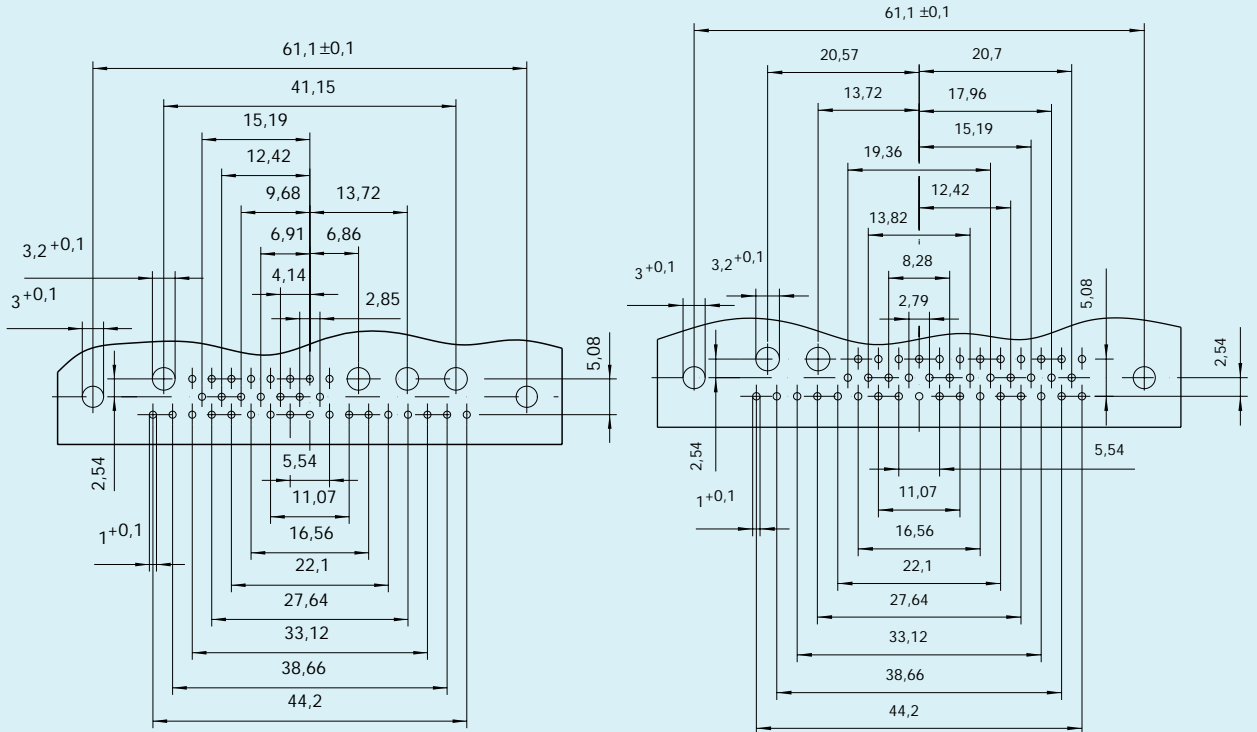
Shell size **C**
 Contact arrangement **25P3**
 Contact cavities size 20 **22**
 Contact cavities size 8 **3**



Shell size **C**
 Contact arrangement **27P2**
 Contact cavities size 20 **25**
 Contact cavities size 8 **2**

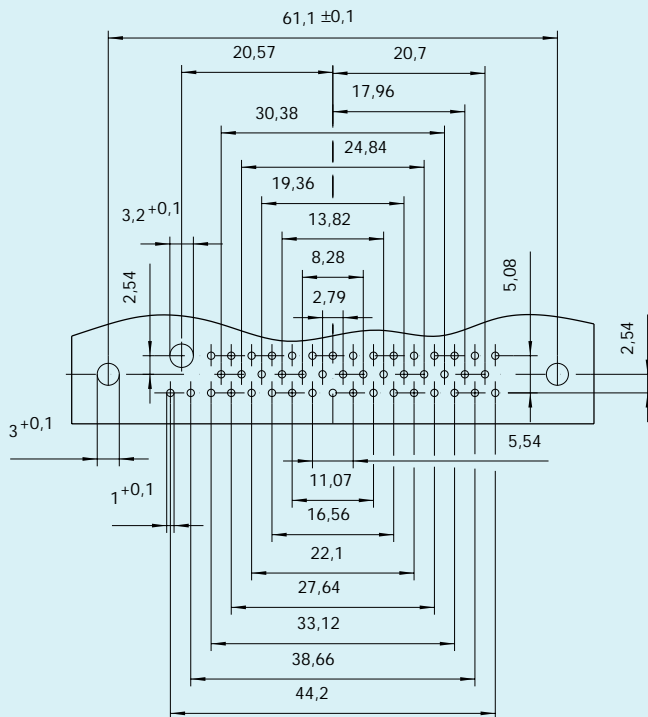


Shell size **D**
 Contact arrangement **24P7**
 Contact cavities size 20 **17**
 Contact cavities size 8 **7**

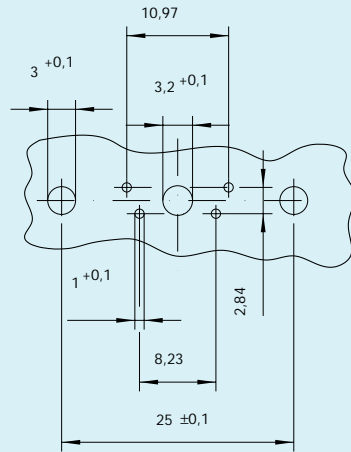


Shell size **D**
 Contact arrangement **36P4**
 Contact cavities size 20 **32**
 Contact cavities size 8 **4**

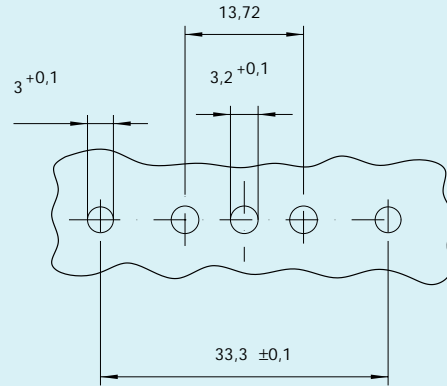
Shell size **D**
 Contact arrangement **43P2**
 Contact cavities size 20 **41**
 Contact cavities size 8 **2**



Shell size **D**
 Contact arrangement **47P1**
 Contact cavities size 20 **46**
 Contact cavities size 8 **1**

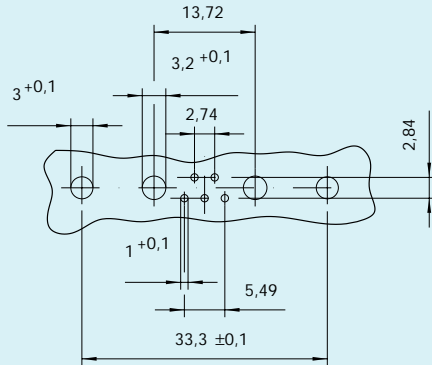


E
5H1
4
1



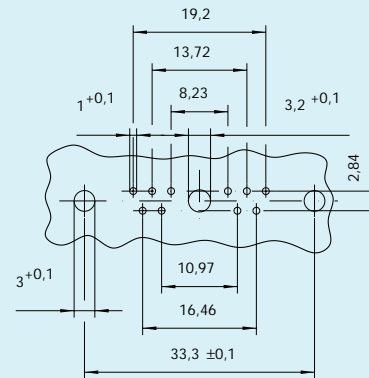
A
3H3
-
3

Shell size
Contact arrangement
Contact cavities size 20
Contact cavities size 8

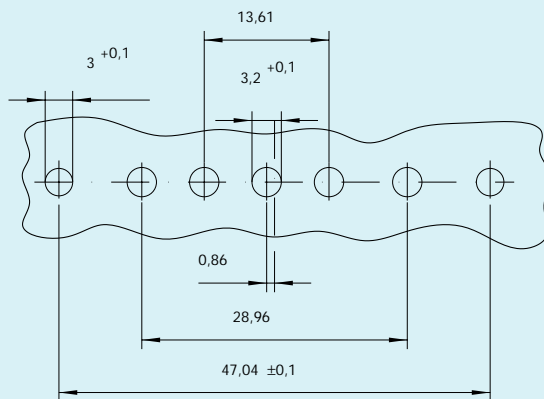


A
7H2
5
2

Shell size
Contact arrangement
Contact cavities size 20
Contact cavities size 8

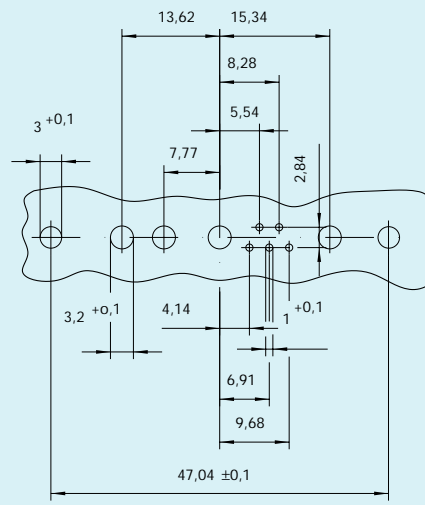


A
11H1
10
1

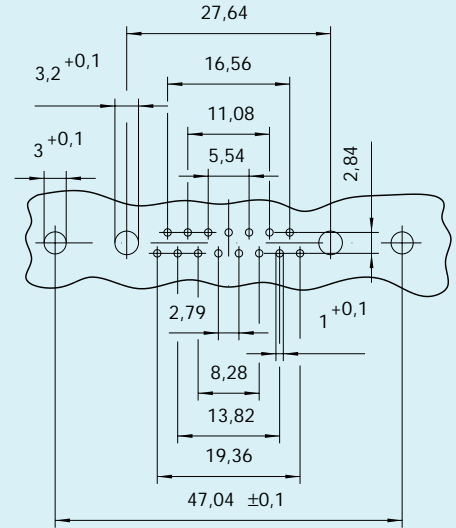
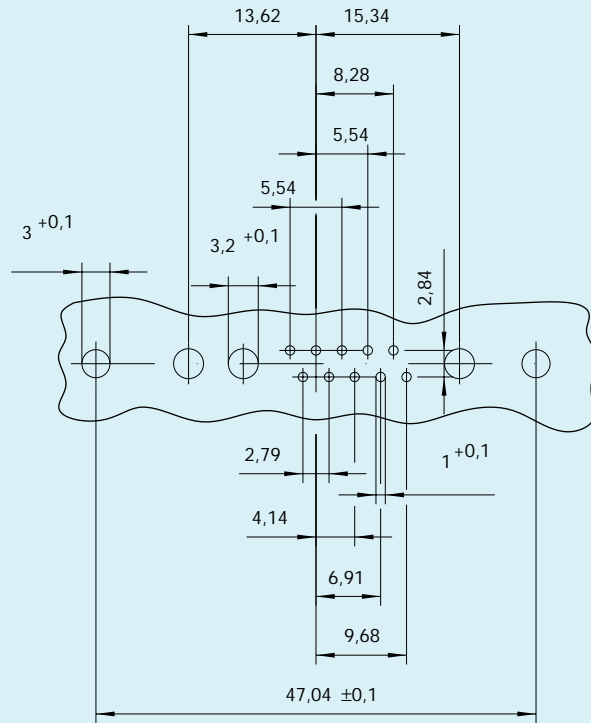


B
5H5
-
5

Shell size
Contact arrangement
Contact cavities size 20
Contact cavities size 8



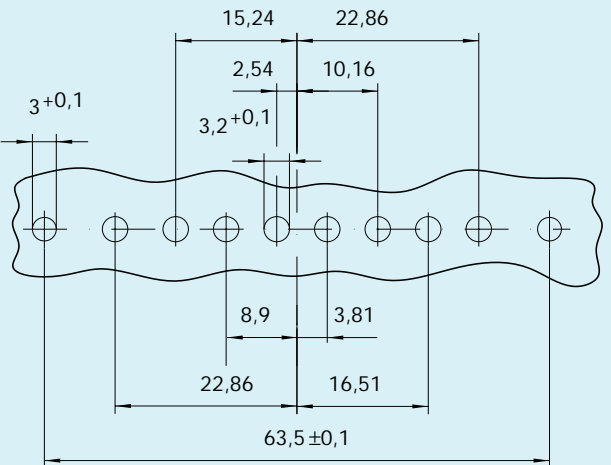
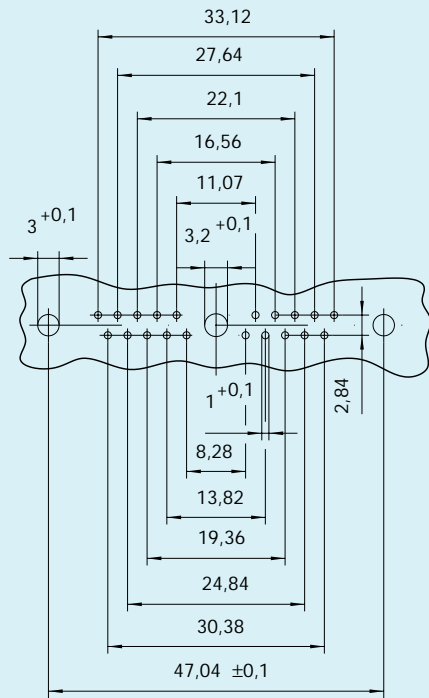
B
9H4
5
4



Shell size
Contact arrangement
Contact cavities size 20
Contact cavities size 8

B
13H3
10
3

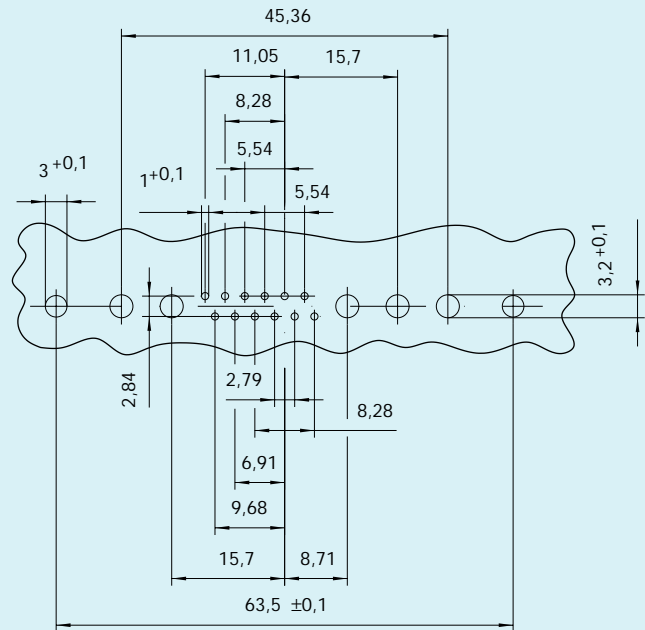
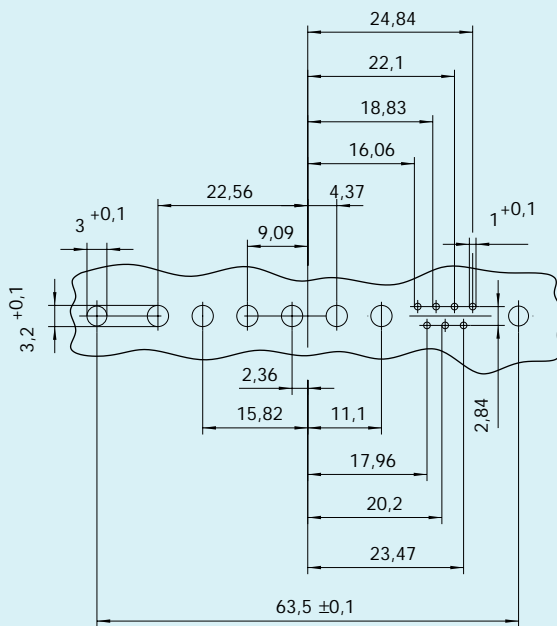
B
17H2
15
2



Shell size
Contact arrangement
Contact cavities size 20
Contact cavities size 8

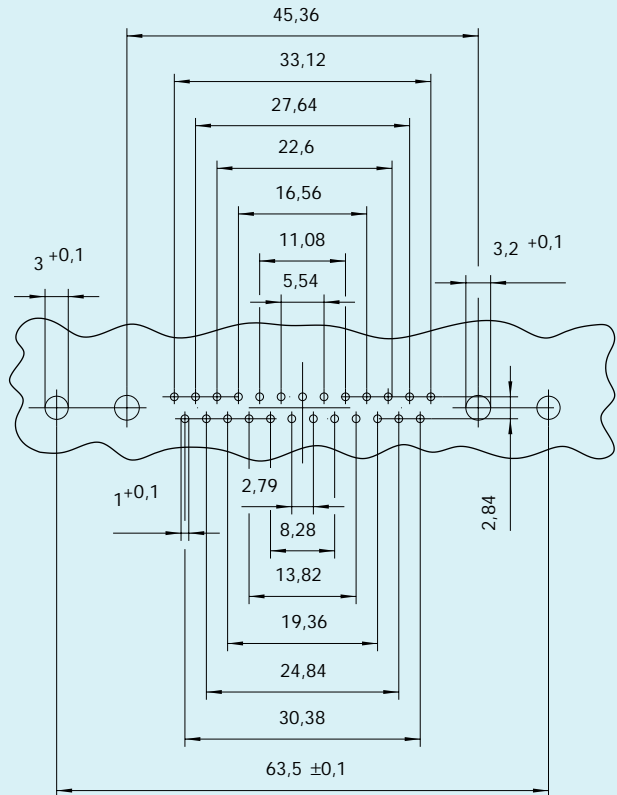
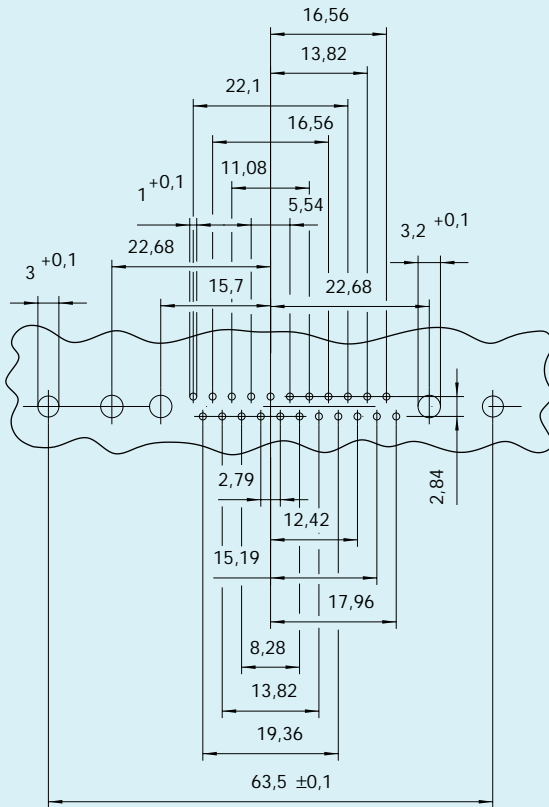
B
21H1
20
1

C
8H8
-
8



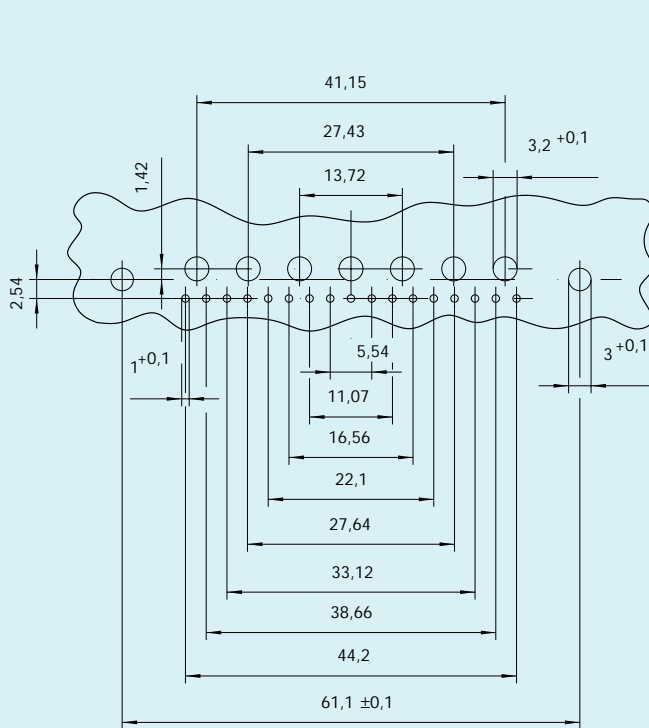
Shell size **C**
 Contact arrangement **13H6**
 Contact cavities size 20 **7**
 Contact cavities size 8 **6**

Shell size **C**
 Contact arrangement **17H5**
 Contact cavities size 20 **12**
 Contact cavities size 8 **5**



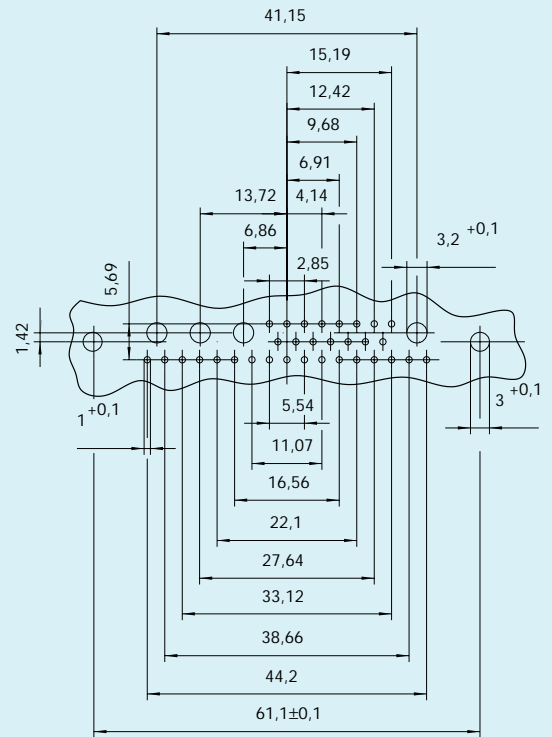
Shell size **C**
 Contact arrangement **25H3**
 Contact cavities size 20 **22**
 Contact cavities size 8 **3**

Shell size **C**
 Contact arrangement **27H2**
 Contact cavities size 20 **25**
 Contact cavities size 8 **2**

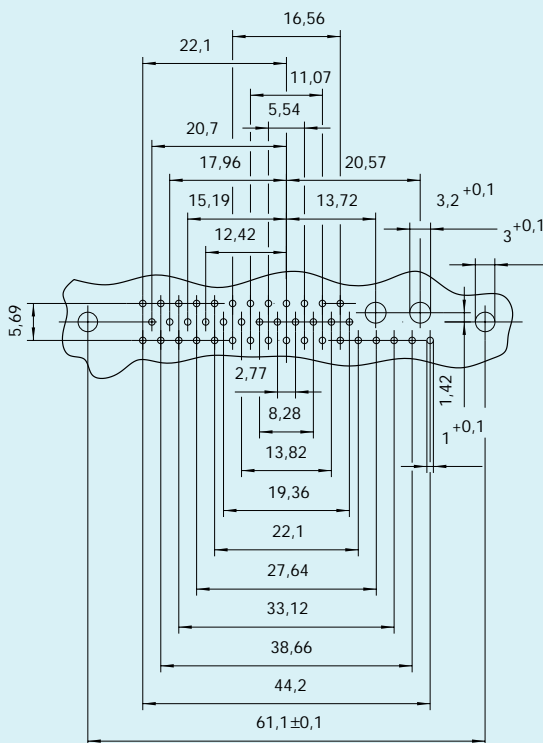


Shell size
Contact arrangement
Contact cavities size 20
Contact cavities size 8

D
24H7
17
7

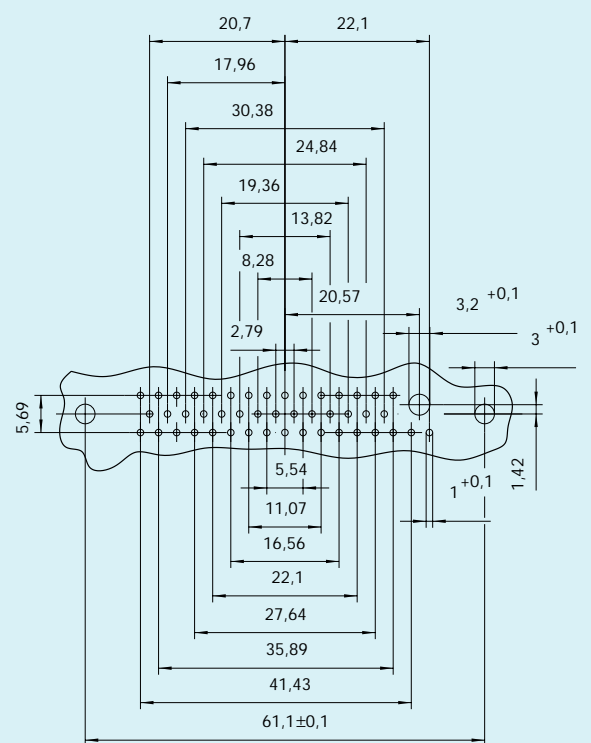


D
36H4
32
4

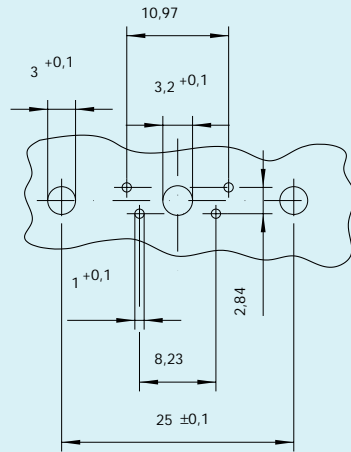


Shell size
Contact arrangement
Contact cavities size 20
Contact cavities size 8

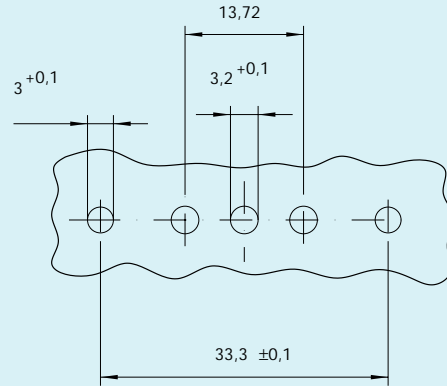
D
43H2
41
2



D
47H1
46
1

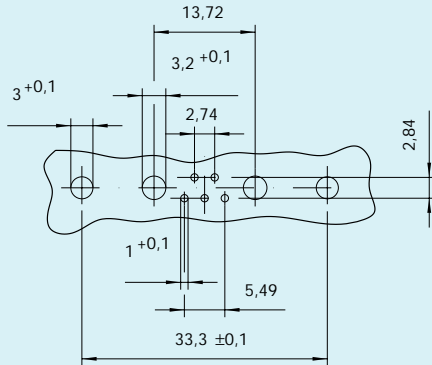


E
5H1
4
1



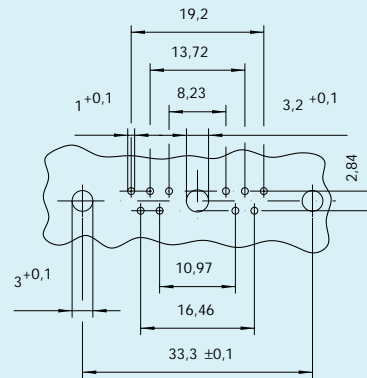
A
3H3
-
3

Shell size
Contact arrangement
Contact cavities size 20
Contact cavities size 8

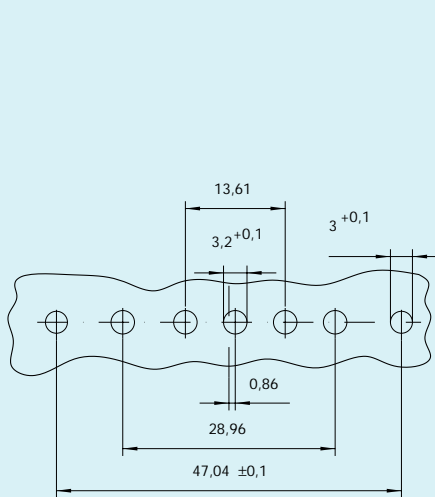


A
7H2
5
2

Shell size
Contact arrangement
Contact cavities size 20
Contact cavities size 8

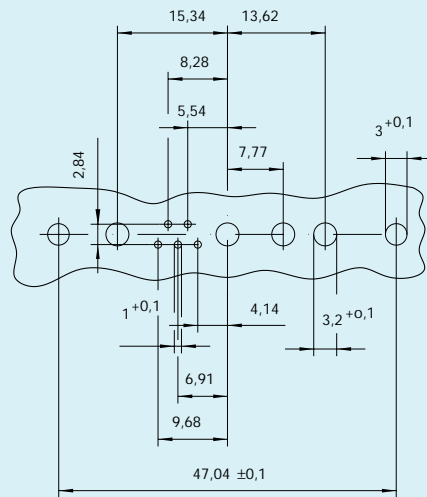


A
11H1
10
1

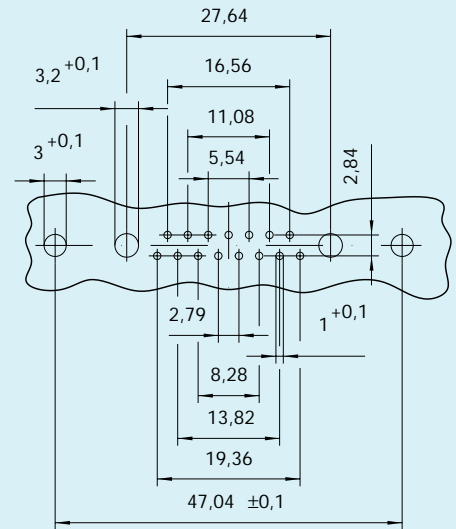
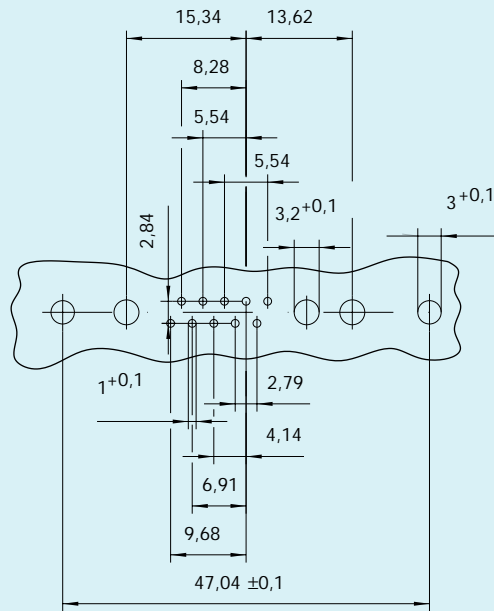


B
5H5
-
5

Shell size
Contact arrangement
Contact cavities size 20
Contact cavities size 8



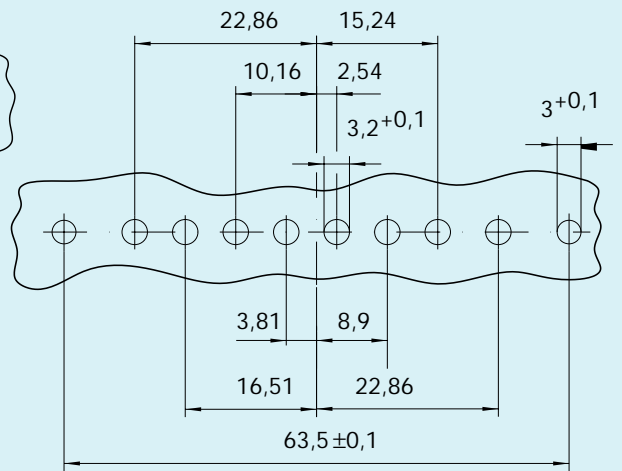
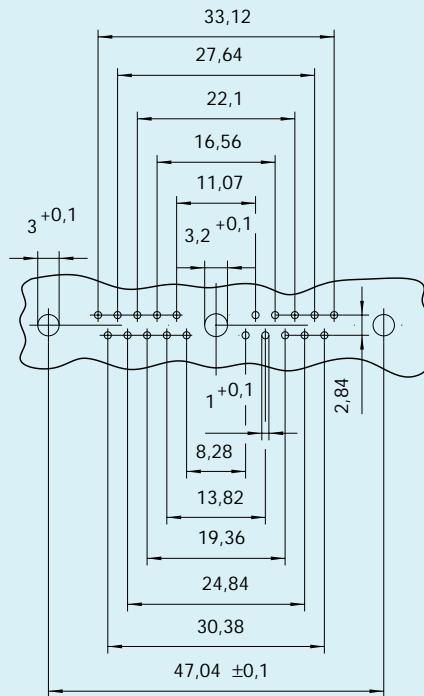
B
9H4
5
4



Shell size
Contact arrangement
Contact cavities size 20
Contact cavities size 8

B
13H3
10
3

B
17H2
15
2



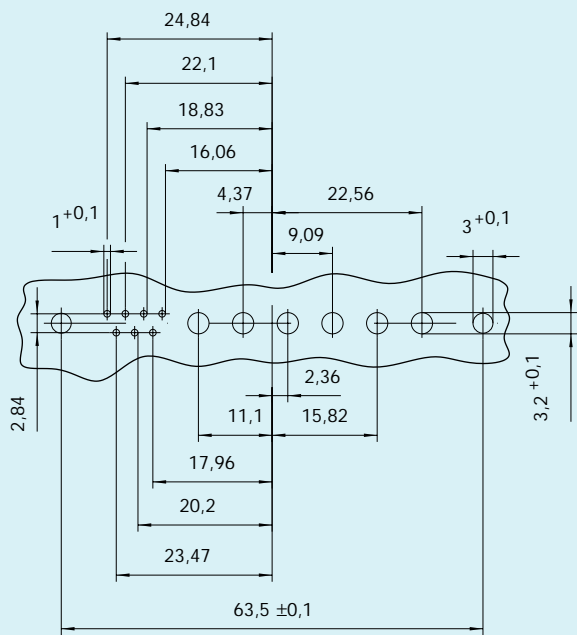
Shell size
Contact arrangement
Contact cavities size 20
Contact cavities size 8

B
21H1
20
1

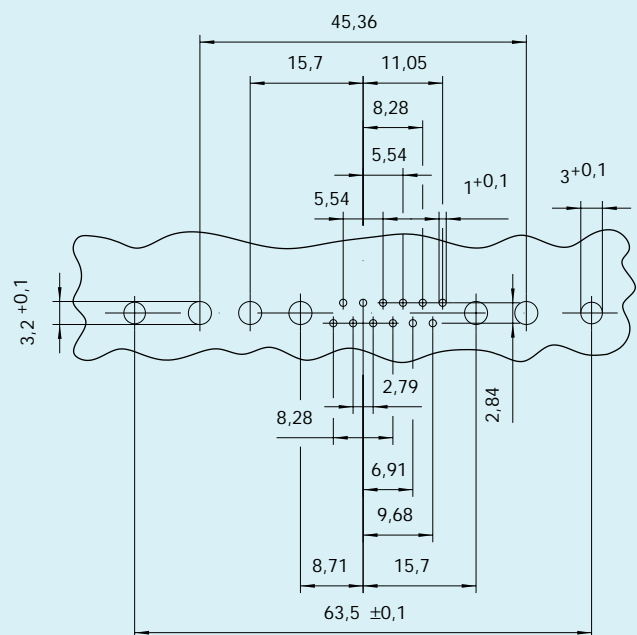
C
8H8
-
8

PCB Hole Pattern

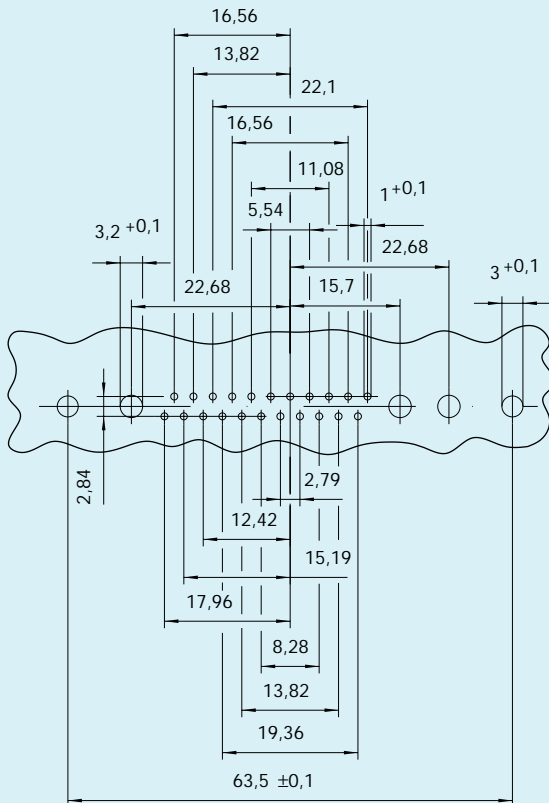
High Power Straight – Socket



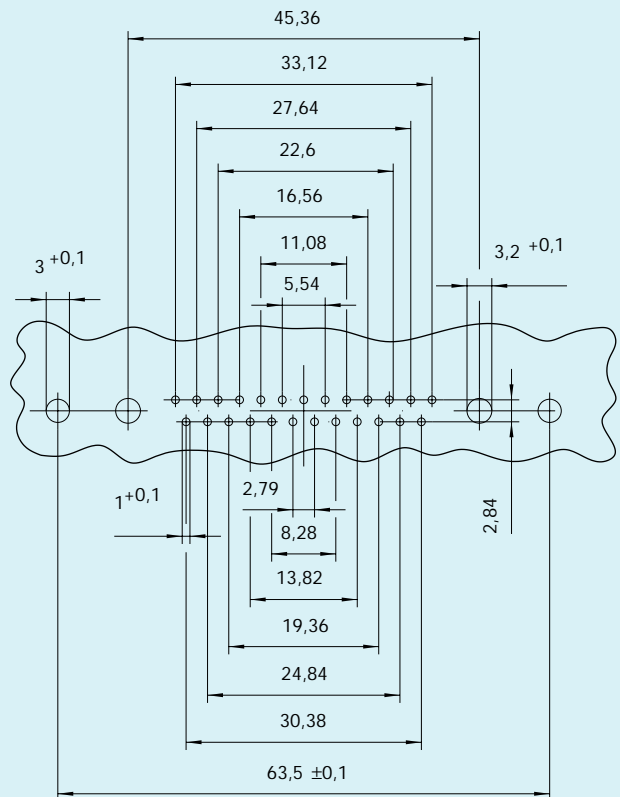
| | |
|--------------------------|-------------|
| Shell size | C |
| Contact arrangement | 13H6 |
| Contact cavities size 20 | 7 |
| Contact cavities size 8 | 6 |



| | |
|--------------------------|-------------|
| Shell size | C |
| Contact arrangement | 17H5 |
| Contact cavities size 20 | 12 |
| Contact cavities size 8 | 5 |



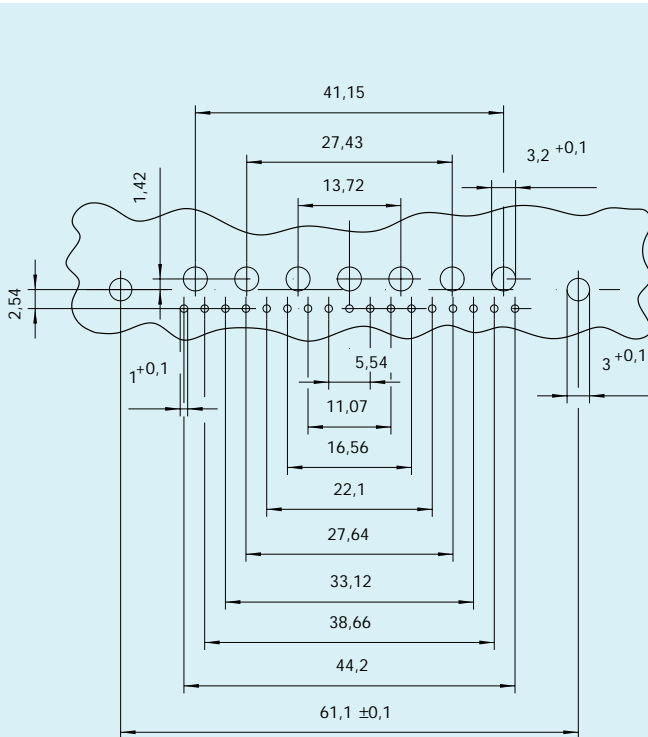
| | |
|--------------------------|-------------|
| Shell size | C |
| Contact arrangement | 25H3 |
| Contact cavities size 20 | 22 |
| Contact cavities size 8 | 3 |



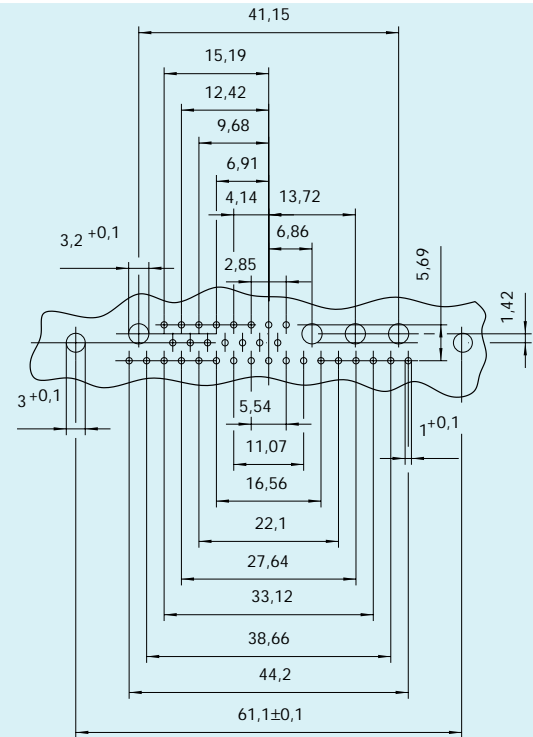
| | |
|--------------------------|-------------|
| Shell size | C |
| Contact arrangement | 27H2 |
| Contact cavities size 20 | 25 |
| Contact cavities size 8 | 2 |

PCB Hole Pattern

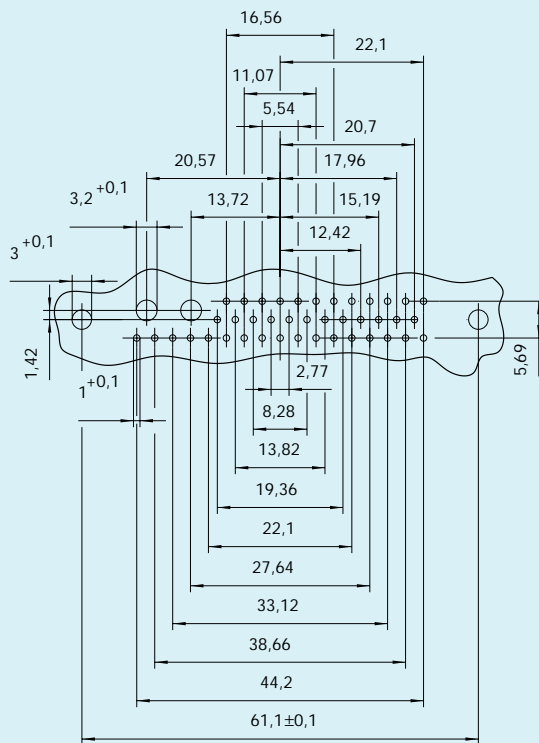
High Power Straight – Socket



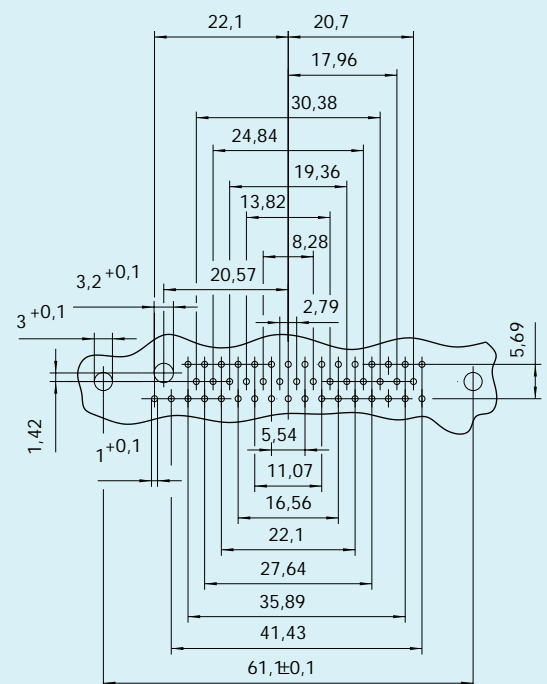
Shell size **D**
 Contact arrangement **24H7**
 Contact cavities size 20 **17**
 Contact cavities size 8 **7**



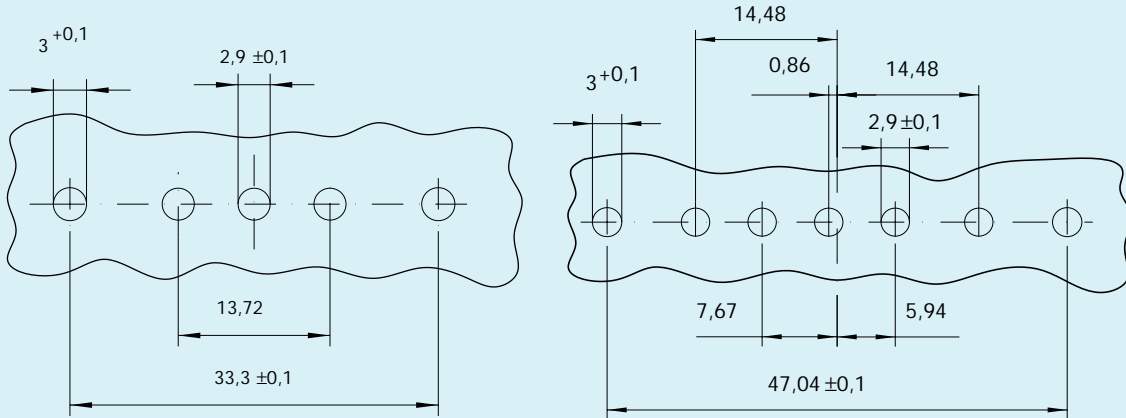
Shell size **D**
 Contact arrangement **36H4**
 Contact cavities size 20 **32**
 Contact cavities size 8 **4**



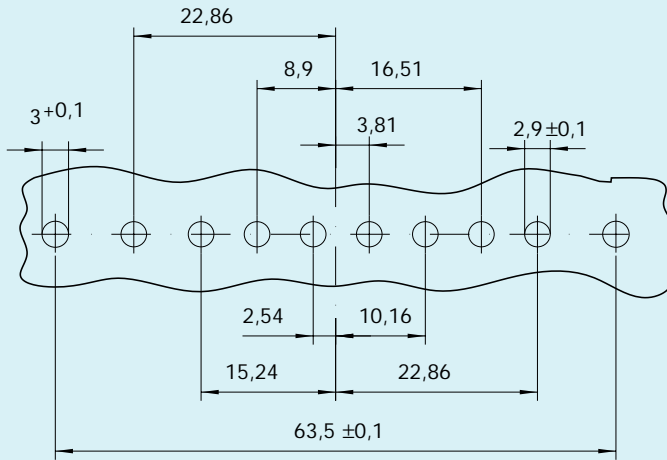
Shell size **D**
 Contact arrangement **43H2**
 Contact cavities size 20 **41**
 Contact cavities size 8 **2**



Shell size **D**
 Contact arrangement **47H1**
 Contact cavities size 20 **46**
 Contact cavities size 8 **1**



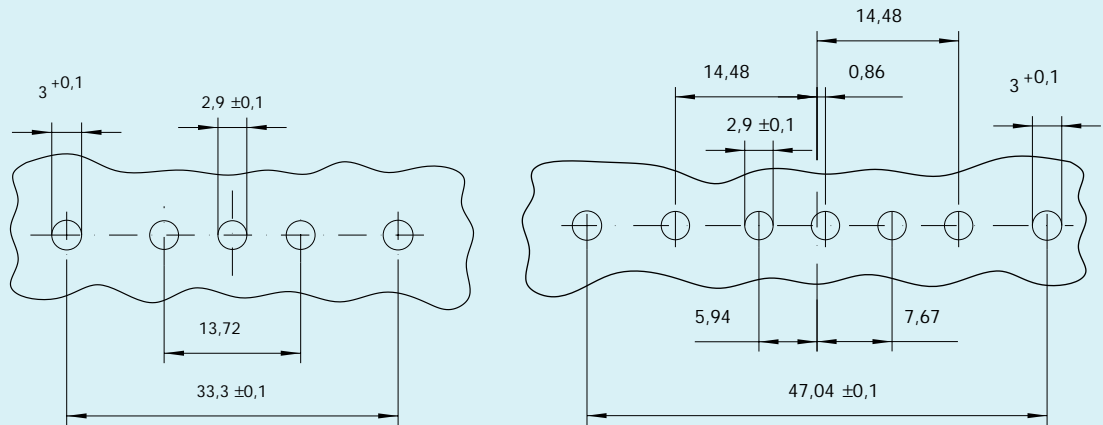
| | | |
|--------------------------|---------------|---------------|
| Shell size | A | B |
| Contact arrangement | 3W3-PO | 5W5-PO |
| Contact cavities size 20 | - | - |
| Contact cavities size 8 | 3 | 5 |



| | |
|--------------------------|---------------|
| Shell size | C |
| Contact arrangement | 8W8-PO |
| Contact cavities size 20 | - |
| Contact cavities size 8 | 8 |

PCB Hole Pattern

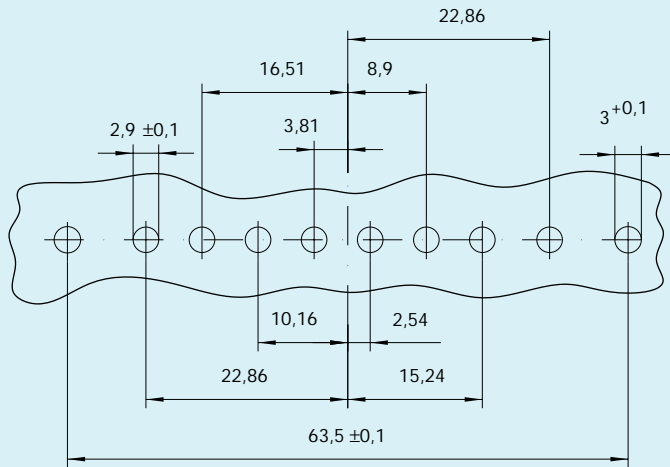
High Power Pressfit Straight – Socket



Shell size
 Contact arrangement
 Contact cavities size 20
 Contact cavities size 8

A
3W3-PO
 -
 3

B
5W5-PO
 -
 5

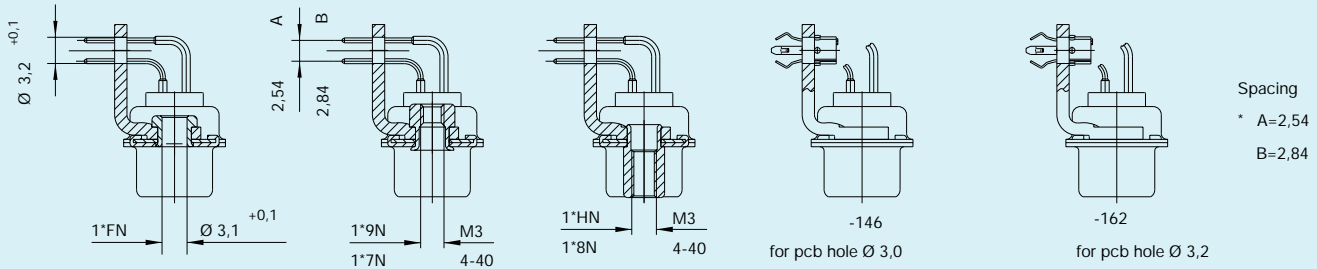


Shell size
 Contact arrangement
 Contact cavities size 20
 Contact cavities size 8

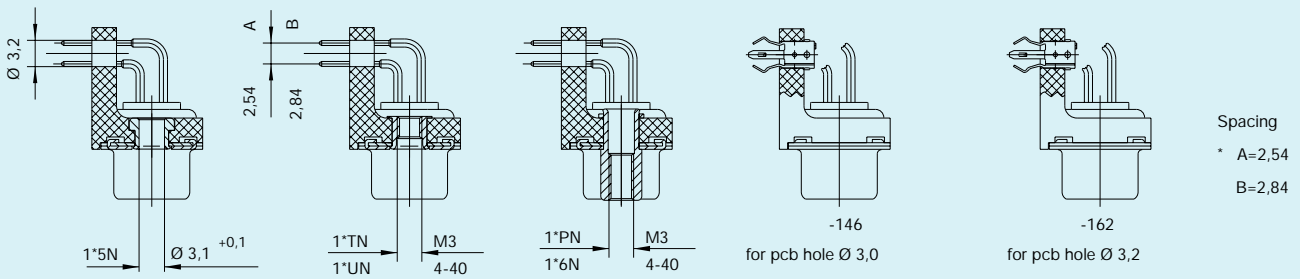
C
8W8-PO
 -
 8

Mounting Methods

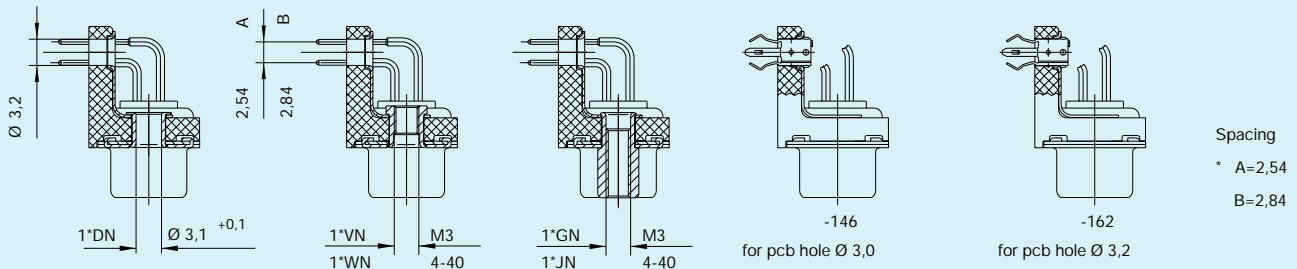
with metal mounting bracket 90°



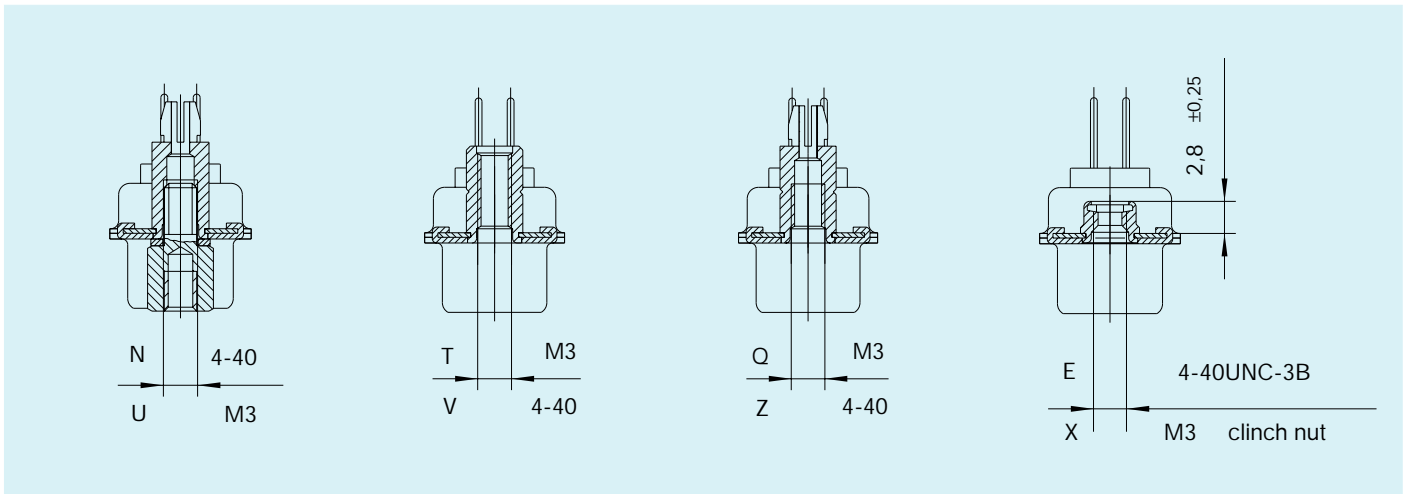
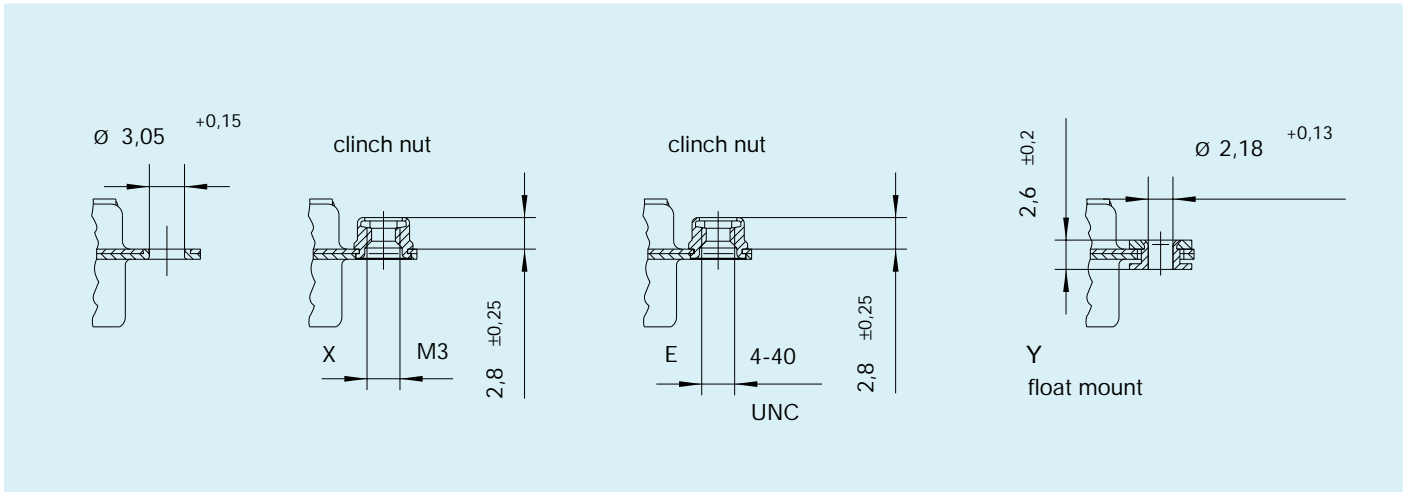
with plastic mounting bracket 90°



with plastic and grounding bracket 90°



Mounting Methods



Explanation of mounting types

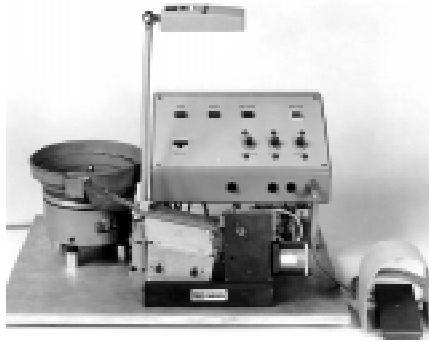
- OL4 - solder pin straight
- 1A0N - without mounting bracket
- 1A5N - plastic bracket with bushing 3,5
- 1A6N - plastic bracket with post 4-40
- 1A7N - metal bracket and captive nut 4-40
- 1A8N - metal bracket with post 4-40
- 1A9N - metal bracket nad captive nut M3

- 1ADN - plastic bracket with grounding bracket and bushing 3,05
- 1AFN - metal bracket with bushing 3,05
- 1AGN - plastic bracket with grounding bracket and post M3
- 1AHN - metal bracket with post M3
- 1AJN - plastic bracket with grounding bracket and post 4-40
- 1APN - plastic bracket with Post M3
- 1ATN - plastic bracket and captive nut M3
- 1AUN - plastic bracket and captive nut 4-40
- 1AVN - plastic bracket with grounding bracket and captive nut M3
- 1AWN - plastic bracket with grounding bracket and captive nut 4-40

- E - Clinch nut 4-40 , solder cup or straight pin and 1A0N
- N - 7,6 mm standoff 4-40 and pushfit (OL4 only)
- Q - 7,6 mm standoff M3, with pushfit (OL4 only)
- T - 7,6 mm standoff M3 (OL4 only)
- U - 7,6 mm standoff M3 and pushfit (OL4 only)
- V - 7,6 mm standoff 4-40 (OL4 only)
- X - Clinch nut M3, solder cup and straight pin and 1A0N
- Y - Dual float mount (solder cup only)
- Z - 7,6 mm standoff 4-40 with pushfit (OL4 only)

Crimp Tools

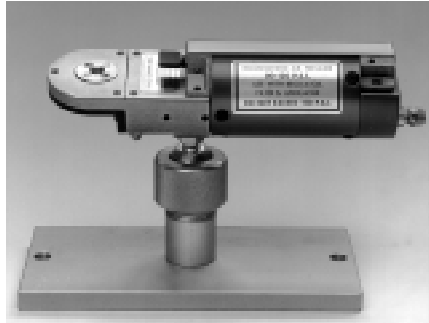
for machined contacts



HACS-2-DA

With the semi-automatic crimp station HACS-2 machined contacts are terminated fast and reliably. 12 – 15 crimp terminations per minute can be achieved. The user has the choice between automatic and manual operation.

Wire sizes:
AWG 30 – 26 and 24 – 20
(0,05 – 0,14 and 0,2 – 0,56 mm²)



CBT-565

Pneumatic crimp tool with work tray and foot pedal.

Turret:
L-DA20 for wire sizes AWG 30 – 26 and 24 – 20
(0,05 – 0,14 and 0,2 – 0,56 mm²)

Go/No Go – Gauge M22520-3-1 for testing and adjusting



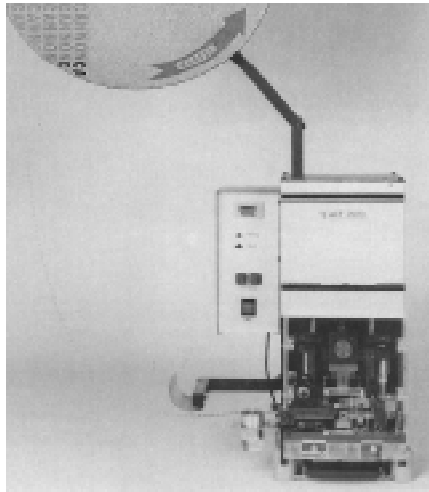
M22520-2-01

Hand crimp tool with positioner L-DA20 only for wire sizes AWG 30 – 26 and 24 – 20
(0,05 – 0,14 and 0,2 – 0,56 mm²)

Go/No Go – Gauge M22520-3-1 for testing and adjusting

Please ask for our detailed Assembly Instructions

Crimp Tools for stamped contacts



ACT2500 / 3500

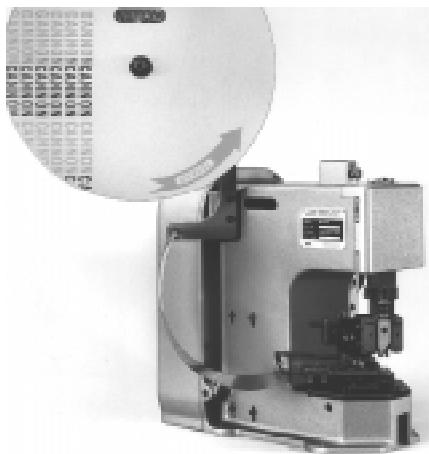
The semi-automatic stripping and crimping machine ACT2500 quickly and reliably terminates up to 1200 contacts per hour. The machine which only requires an electrical supply, is suitable for a wide variety of contacts and cable sizes. Crimp tools can be easily changed. Time consuming adjustments are unnecessary. Stripping and crimping is sensor released. This semi-automatic crimp machine is a practical and cost saving tool when using Cannon reeled contacts.

Crimp tools

ACT2500-DA20/24 for wire sizes AWG 24 – 20

ACT2500-DA24/28 for wire sizes AWG 28 – 24

ACT2500-DA28/32 for wire sizes AWG 32 – 28



4510

Contacts are fast and reliably terminated with the crimp machine 94-4510. Up to 20 crimp terminations per minute can be achieved. The tools for the different contact and wire sizes can easily be exchanged. No time consuming adjustments are necessary. A foot pedal starts the electric machine.

Crimp tools

94-4510-DA20/24 for wire sizes AWG 24 – 20

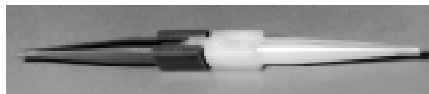
94-4510-DA24/28 for wire sizes AWG 28 – 24

94-4510-DA28/32 for wire sizes AWG 32 – 28



CCT-DA

With the hand crimp tool CCT-DA each crimp cycle is ratchet controlled to ensure a reliable crimp. Suitable for on-site low volume applications.



CIET-20-HDL

Plastic tool for insertion and extraction of contacts



CET-20-D

Metal tool for extraction of contacts

Please ask for our detailed Assembly Instructions

Press In Tools for stamped contacts

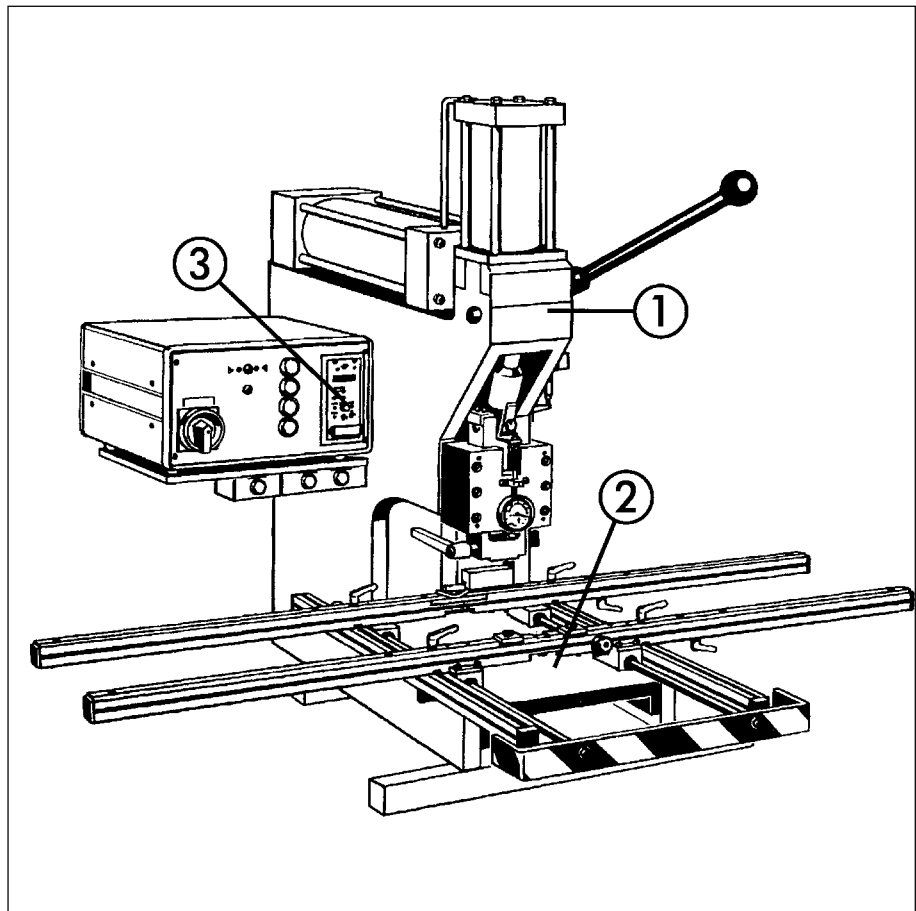
CCP-60-250

This press is available with a pressure force meter, a printed circuit board thickness control meter and a moveable support.

To control the force of the press, a limit value will be adjusted. If it is exceeded during the press-in operation the hydropneumatic support switches off the press.

During the measuring of the pc board tolerances a measuring point takes over the control of the pc board thickness. If the tolerance deviations are larger than the adjusted limit value the hydro-pneumatic press-in support switches off the press. It is not possible to overpress the connector due to different pc board thicknesses.

The support can be moved to position the pc board as required without damage to any components on the rear of the pc board.



Technical Data

| | |
|---------------|-------------------|
| Press force | 60 kN |
| PC board size | 500 x 1200 mm max |
| Width | 1400 mm |
| Height | 900 mm |
| Depth | 800 mm |
| Weight | 250 kg |
| Air pressure | 6 bar min |

Order Reference

| Legend | Description | Part Number | Order Reference |
|--------|---|-------------|-----------------|
| 1 | Press | CPP-60-250 | 121586-0205 |
| 2 | PCB tolerance measuring with moveable support | CT120090-62 | 120090-0062 |
| 3 | Press force control | CT 12090-61 | 12090-0061 |

| Connector type | No. of contacts Signal / HP contacts | Press block | | Support block | |
|----------------|--|---------------|------------------|-----------------|------------------|
| | | Pin connector | Socket connector | Pin connector / | Socket connector |
| HP-3W3 | 15 / 3 | CT120090-128 | CT120090-131 | CT120090-46 | |
| | 25 / 5 | CT120090-129 | CT120090-132 | CT120090-45 | |
| | 37 / 8 | CT120090-130 | CT120090-133 | CT120090-52 | |
| HP-3WK3 | 15 / 3 | CT120090-134 | CT120090-135 | CT120090-46 | |
| HP-90° | 15 / 3 | CT120090-157 | CT120090-157 | CT120090-46 | |

Please ask for our detailed Assembly Instructions

Product Safety Information

THIS NOTE SHOULD BE READ IN CONJUNCTION WITH THE PRODUCT DATA SHEET/CATALOGUE. FAILURE TO OBSERVE THE ADVICE IN THIS INFORMATION SHEET AND THE OPERATING CONDITIONS SPECIFIED IN THE PRODUCT DATA SHEET/CATALOGUE COULD RESULT IN HAZARDOUS SITUATIONS.

1. MATERIAL CONTENT AND PHYSICAL FORM

Electrical connectors do not usually contain hazardous materials. They contain conducting and non-conducting materials and can be divided into two groups.

a) Printed circuit types and low cost audio types which employ all plastic insulators and casings.

b) Rugged, Fire Barrier and High Reliability types with metal casings and either natural rubber, synthetic rubber, plastic or glass insulating materials.

Contact materials vary with type of connector and also application and are usually manufactured from either copper, alloys, nickel, alumel, chromel or steel. In special applications, other alloys may be specified.

2. FIRE CHARACTERISTICS AND ELECTRIC SHOCK HAZARD

There is no fire hazard when the connector is correctly wired and used within the specified parameters. Incorrect wiring or assembly of the connector or careless use of metal tools or conductive fluids, or transit damage to any of the component parts may cause electric shock or burns. Live circuits must be broken by separating mated connectors as this may cause arcing, ionisation and burning.

Heat dissipation is greater at maximum resistance in a circuit. Hot spots may occur when resistance is raised locally by damage, e.g. cracked or deformed contacts, broken strands of wire. Local overheating may also result from the use of the incorrect application tools or from poor quality soldering or slack screw terminals. Overheating may occur if the ratings in the Product Data Sheet/Catalogue are exceeded and can cause breakdown of insulation and hence electric shock.

If heating is allowed to continue it intensifies by further increasing the local resistance through loss of temper of spring contacts, formation of oxide film on contacts and wires, and leakage currents through carbonisation of insulation and tracking paths. Fire can then result in the presence of combustible materials and this may release noxious fumes. Overheating may not be visually apparent. Burns may result from touching overheated components.

3. HANDLING

Care must be taken to avoid damage to any component parts of electrical connectors during installation and use. Although there are normally no sharp edges, care must be taken when handling certain components to avoid injury to fingers.

Electrical connectors may be damaged in transit to the customers, and damage may result in creation of hazards. Products should therefore be examined prior to installation/use and rejected if found to be damaged.

4. DISPOSAL

Incineration of certain materials may release noxious or even toxic fumes.

5. APPLICATION

Connectors with exposed contacts should not be selected for use on the current supply side of an electrical circuit, because an electric shock could result from touching exposed contacts on an unmated connector. Voltages in excess of 30 V ac or 42.5 V dc are potentially hazardous and care should be taken to ensure that such voltages can not be transmitted in any way to exposed metal parts of the connector body. The connector and wiring should be checked, before making live, to have no damage to metal parts of insulators, no solder blobs, loose strands, conducting lubricants, swarf, or any other undesired conducting particles. Insulation resistance should be checked to make certain that no low resistance joints or spurious conducting path are existing between contacts and exposed metal parts of the connector body. Further the contact resistance of the connectors should be measured within the electrical circuit in order to identify high resistances which result in excessive connector heating.

Always use the correct application tools as specified in the Data Sheet/Catalogue.

Do not permit untrained personnel to wire, assemble or tamper with connectors.

For operation voltage please see appropriate national regulations.

IMPORTANT GENERAL INFORMATION.

1. Air and creepage paths/Operating voltage
The admissible operating voltages depend on the individual applications and the valid national and other applicable safety regulations.

For this reason the air and creepage path data are only reference values. Observe reduction of air and creepage paths due to PC board and/or harnessing.

2. Temperature

All information given are temperature limits. The operation temperature depends on the individual application.

3. Other important information

Cannon continuously endeavours to improve their products. Therefore, Cannon products may deviate from the description, technical data and shape as shown in this catalogue and data sheets.

4. Harnessing and Assembly Instructions

If applicable, our special harnessing and/or assembly instruction has to be adhered to. This is provided at request.

ITT Cannon manufactures the highest quality products available in the marketplace; however these products are intended to be used in accordance with the specifications in this catalog. Any use or application that deviates from stated operating specifications is not recommended and may be unsafe. No information and data contained in this catalog shall be construed to create any liability on the part of Cannon. Any new issue of this catalog shall automatically invalidate and supersede any and all previous issues. **A limited warranty applies to Cannon products. Except for obligations assumed by Cannon under this warranty, Cannon shall not be liable for any loss, damage, cost of repairs, incidental or consequential damages of any kind, whether or not based on express or implied warranty, contract, negligence or strict liability arising in connection with the design, manufacture, sale, use or repair of the products.** Product availability, prices and delivery dates are exclusively subject to our respective order confirmation form; the same applies to orders based on development samples delivered. This catalog is not be construed as an offer. It is intended merely as an invitation to make an offer. By this publication, Cannon does not assume responsibility or any liability for any patent infringements or other rights of third parties which may result from its use. Reprinting this catalog is generally permitted, indicating the source. However, Cannon's prior consent must be obtained in all cases.

Cannon is a trademark of ITT Industries, Inc