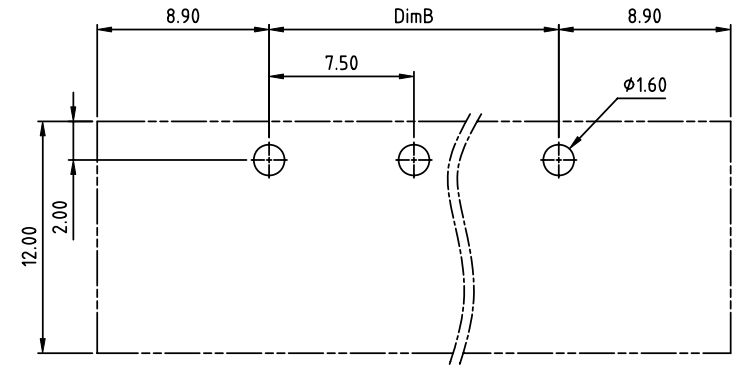
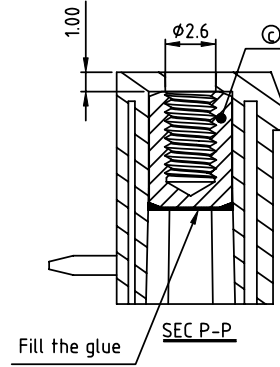
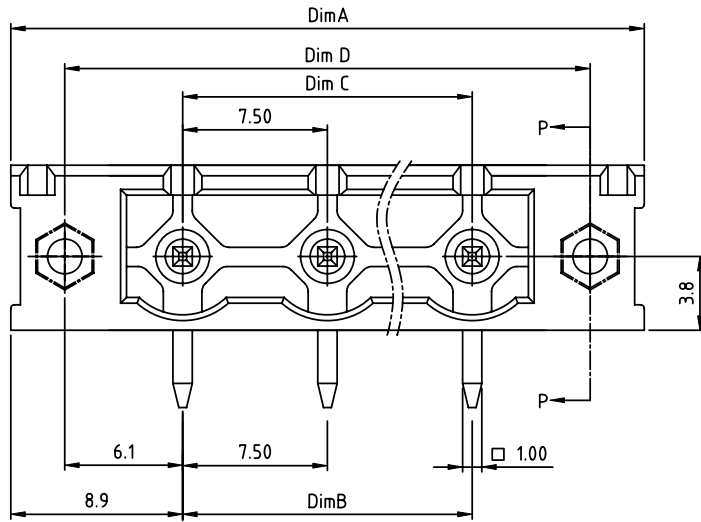
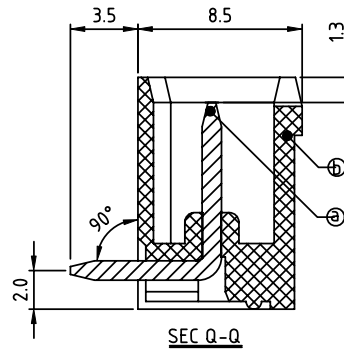
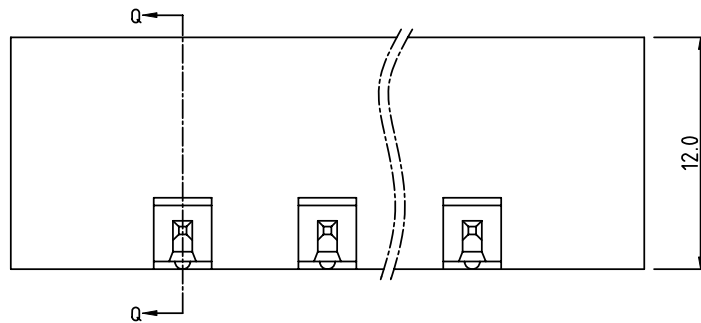


PRODUCT NUMBER	PITCH
OQxxA5x100J0G	7.50 mm



RECOMMENDED P.C.B LAYOUT
TOP VIEW



Material:

- Item ① Male contact pin: Copper Tin plated
- Item ② Terminal housing: Thermoplastic (UL94V-0)
- Item ③ Flange nut: Brass M2.5

Electrical: cULus TUV

- Voltage rating: 300V 750V
- Current rating: 20A 15A
- Withstanding Voltage: 1.6 KV 6KV
- Operating temperature: -40°C to +115°C
- Soldering temperature: 260°C±5°C/5 Sec
- Safety Approval:

DIMENSION

Dim A	$(N+1) \times 7.5 + 2.8$
Dim B & C	$(N-1) \times 7.5$
Dim D	$(N-1) \times 7.5 + 12.2$

N= NUMBER OF POLES

Poles	Tolerance
2P-6P	±0.20
7P-12P	±0.30
13P-16P	±0.40

PART NO.: OQ xx A 5 x 1 00J0 G

No. of poles	0 Black (RAL9005)	RoHS compliant (lead<4%) In copper Alloy
02 2 poles	2 Red (RAL3001/D)	
03 3 poles	3 Orange(RAL2011/P)	
...	4 Yellow(RAL1018/A)	
16 16 poles	5 Green(RAL6018/T)	
	6 Blue (RAL5015/A)	
	8 Grey(RAL7035/D)	
	9 White(RAL1102)	
	C Green(RAL6018/U)	

mat'l. code		surface ASME Y14.5	tolerance ASME Y14.5	projection	product family
ltr	ecn no	dr	date		TERMINAL BLOCK
tolerances unless otherwise specified				MM	title
angles				scale	TERMINAL BLOCK
X±0.5					PLUGGABLE SOCKET, WITH FLANGE, RIGHT ANGLE
X.X±0.3					dwg no
X*±1"					sheet 1 of 1 size
dr	HANKE FENG	040414			OQxxA5x100J0G
enr	HANKE FENG	040414			A4
chr	SHI JUN	040414			
appd	SHI JUN	040414			type
					CUSTOMER Drawing
sheet index	revision	A			
	sheet	1			