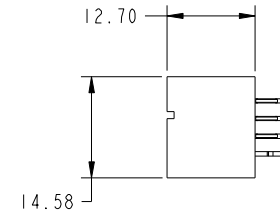
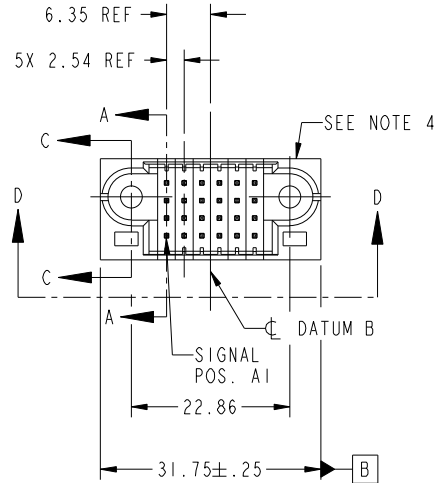


Tous droits strictement reserves. Reproduction ou communication a des tiers interdite sous quelque forme que ce soit sans autorisation écrite du propriétaire. Propriete de c FCI. Droits de reproduction FCI.



All rights strictly reserved. Reproduction or issue to third parties in any form whatever is not permitted without written authority from the proprietor. Property of FCI. Copyright FCI.

PRODUCT NO.	ROWS	SIGNAL					
		E1	1	2	3	4	5
51952-104-- NOTE ③	D C B A						



CODE	DIM "M" MATING LENGTH	CONTACT TYPE
HA	[N/A]	HOLD-DOWN
G	[6.86]	SIGNAL

mat'l code				tolerances unless otherwise specified		CUSTOMER		 www.fciconnect.com	
ltr	ecn no.	dr	date	linear	0.X ± 0.3		COPY		 title 24S VERTICAL PF HEADER
A	DG06-0456	JULIA	11/06/06		0.XX ± 0.13		projection		
B	DG07-0357	SH	01/16/08	angles	0.XXX ± 0.051		 product family PwrBlade code 213		
					0° ± 2°		size dwg no 51952-104 sheet 1 of 4		
				dr	JULIA WANG	11/06/06	scale 1:1		
				enr	RYAN YUAN	11/06/06	cage code 22526		
				chr	BEER FU	11/06/06			
				appd	JOSEPH HSIA	11/06/06			
sheet index	revision sheet	B 1	B 2	B 3	B 4				

1 | 2

Pro/E

3 |

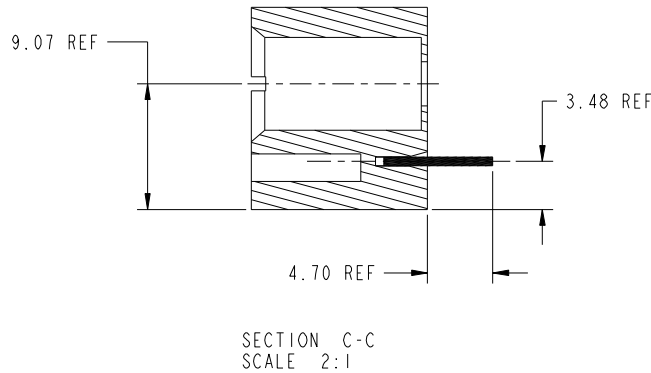
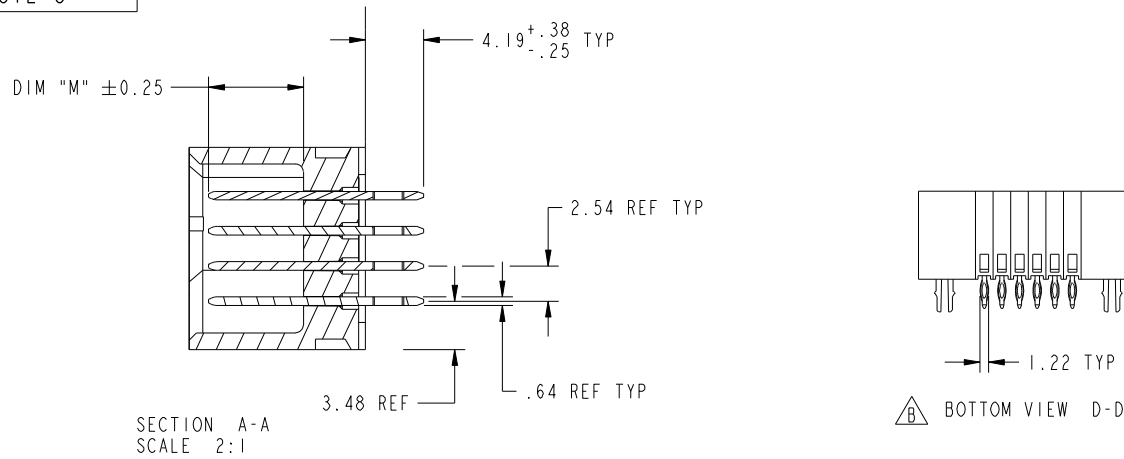
cage code 22526

4

Tous droits strictement reserves. Reproduction ou communication a des tiers interdite sous quelque forme que ce soit sans autorisation écrite du propriétaire. Propriete de c FCI. Droits de reproduction FCI.

All rights strictly reserved. Reproduction or issue to third parties in any form whatever is not permitted without written authority from the proprietor. Property of FCI. Copyright FCI.

PRODUCT NUMBER
51952-104__
NOTE 3



mat'l code				tolerances unless otherwise specified		CUSTOMER		FCI	
ltr	ecn no.	dr	date	linear	0.X ±0.3	COPY		www.fciconnect.com	
B					0.XX ±0.13	projection		title 24S	
				angles	0.XXX ±0.051			VERTICAL PF HEADER	
				dr	JULIA WANG 11/06/06			product family PwrBlade code 213	
				enr	RYAN YUAN 11/06/06	scale		size dwg no 213	
				chr	BEER FU 11/06/06	1:1		sheet 2 of 4	
				appd	JOSEPH HSIA 11/06/06			51952-104	
sheet index	revision sheet								

Pro/E

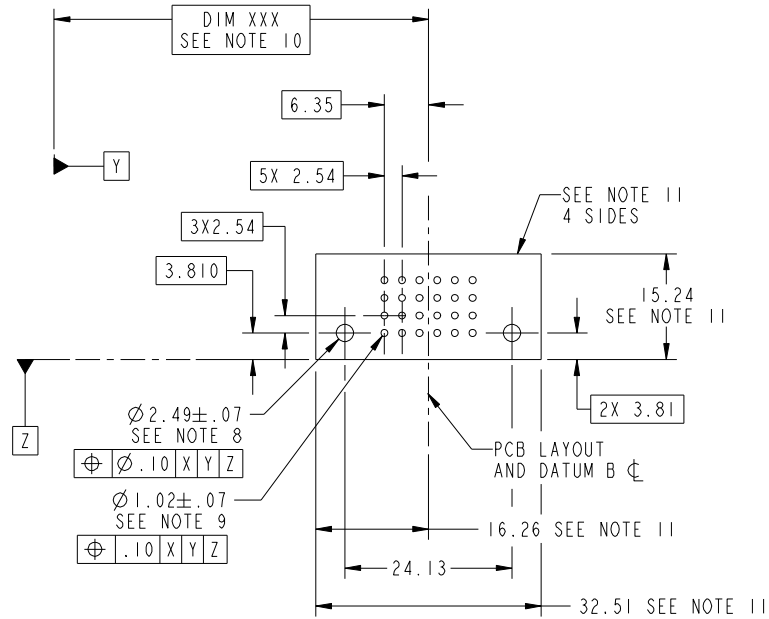
cage code 22526

Tous droits strictement réservés. Reproduction ou communication à des tiers interdite sous quelque forme que ce soit sans autorisation écrite du propriétaire. Propriété de c.FCI. Droits de reproduction FCI.



All rights strictly reserved. Reproduction or issue to third parties in any form whatsoever is not permitted without written authority from the proprietor. Property of FCI. Copyright FCI.

PRODUCT NUMBER
51952-104__
NOTE 3



RECOMMENDED PCB LAYOUT

mat'l code				tolerances unless otherwise specified		CUSTOMER		 www.fciconnect.com	
ltr	ecn no.	dr	date	linear	0.X ±0.3	COPY		title	
B					0.XX ±0.13	projection		24S	
				angles	0.XXX ±0.051			VERTICAL PF HEADER	
				dr	0° ±2°			product family	
				enr	JULIA WANG 11/06/06	MM		PwrBlade	
				chr	RYAN YUAN 11/06/06	scale		code	
				appd	BEER FU 11/06/06	1:1		213	
					JOSEPH HSIA 11/06/06	A		sheet	
sheet index		revision sheet						51952-104	
								3 of 4	

Pro/E

cage code 22526

Tous droits strictement reserves. Reproduction ou communication a des tiers interdite sous quelque forme que ce soit sans autorisation écrite du propriétaire. Propriete de c FCI. Droits de reproduction FCI.



All rights strictly reserved. Reproduction or issue to third parties in any form whatever is not permitted without written authority from the proprietor. Property of FCI. Copyright FCI.

PRODUCT NUMBER
51952-104-001

NOTES:

1. DIMENSIONS AND TOLERANCES ARE IN ACCORDANCE WITH ASME Y14.5M, 1994 UNLESS OTHERWISE SPECIFIED.

CONNECTOR NOTES:

- 2 HOUSING MATERIAL: UL 94 V-0 GLASS FILLED
HIGH-TEMP THERMOPLASTIC
POWER CONTACT MATERIAL: COPPER ALLOY
SIGNAL PIN MATERIAL: COPPER ALLOY
 - 3. PLATING:
51952-104 ,51952-104LF PLATING SPEC. WAS SHOWN IN THE PRINT OF 10064183.
 - 4 MANUFACTURER'S NAME, P/N, AND DATE CODE TO APPEAR ON THIS SURFACE.
 - 5. PRODUCT SPECIFICATION GS-12-149.
APPLICATION SPECIFICATION BUS-20-067.
 - 6. PACKAGED IN TRAYS.
- PCB NOTES:
- 7. ALL HOLE DIAMETERS ARE FINISHED HOLE SIZE.
 - 8. MOUNTING HOLES, WHERE APPLICABLE, ARE UNPLATED.
 - 9 $\varnothing 1.151 \pm 0.025$ DRILLED HOLES PLATED WITH
0.008 MIN SnPb OR Sn OVER 0.03
TO 0.08 Cu PLATING TO ACHIEVE
 $\varnothing 1.02 \pm 0.07$ HOLE.
 - 10 "DIM XXX" TO BE DETERMINED BY THE CUSTOMER.
 - 11 CONNECTOR KEEP-OUT ZONE.
 - 12. FOR PRESS FIT APPLICATION USE FCI CAM TOOL 430169-XXX
 - 13. A \triangle SYMBOL WILL BE NEXT TO ANY DIMENSION, VIEW, OR NOTE WHICH HAS BEEN MODIFIED WITH CURRENT DRAWING REVISION.

mat'l code				tolerances unless otherwise specified		CUSTOMER		FCI	
ltr	ecn no.	dr	date	linear	0.X ± 0.3	COPY		www.fciconnect.com	
B					0.XX ± 0.13	projection		title 24S	
				angles	0.XXX ± 0.051			VERTICAL PF HEADER	
				dr	JULIA WANG 11/06/06	MM		product family PwrBlade code 213	
				enr	RYAN YUAN 11/06/06	scale		size dwg no 51952-104 sheet 213	
				chr	BEER FU 11/06/06	1:1		4 of 4	
				appd	JOSEPH HSIA 11/06/06				
sheet index	revision sheet								

cage code 22526

Pro/E