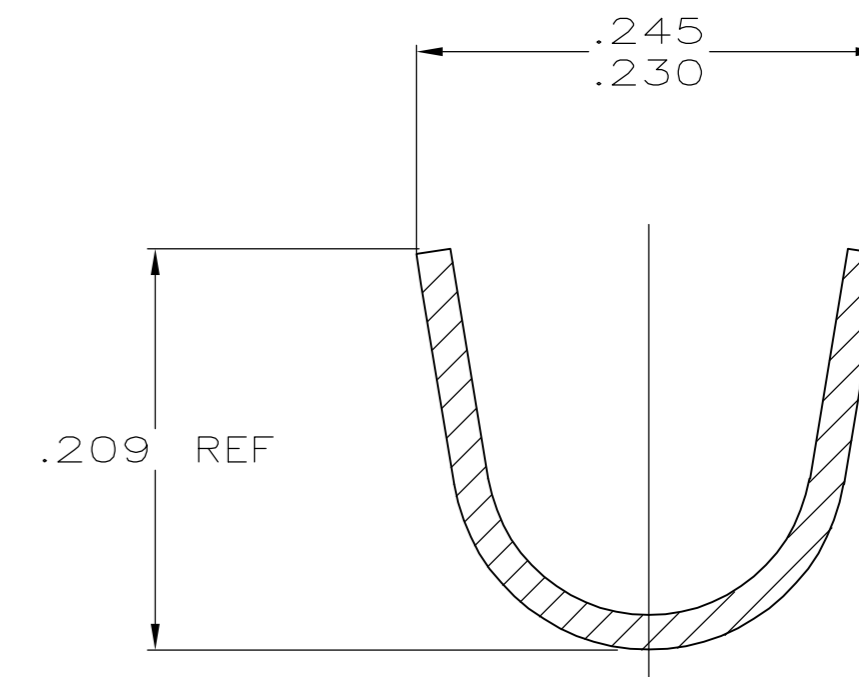
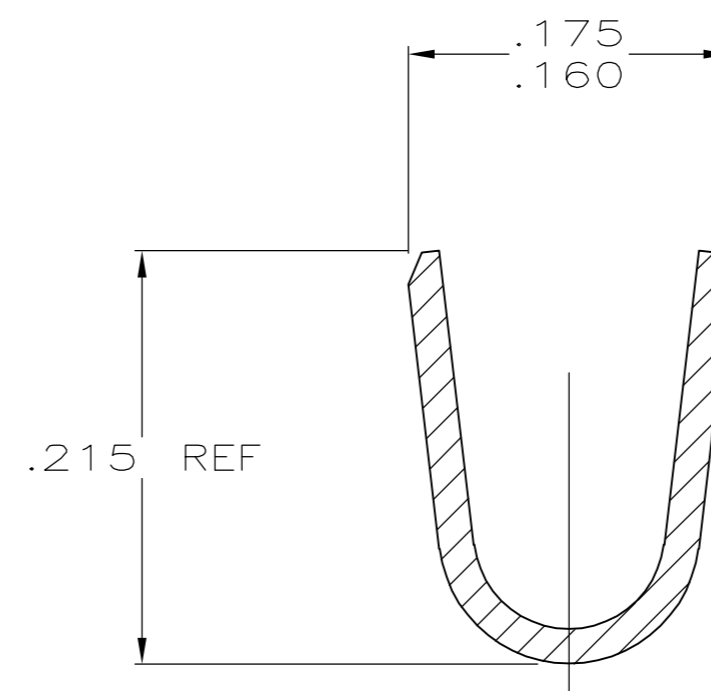
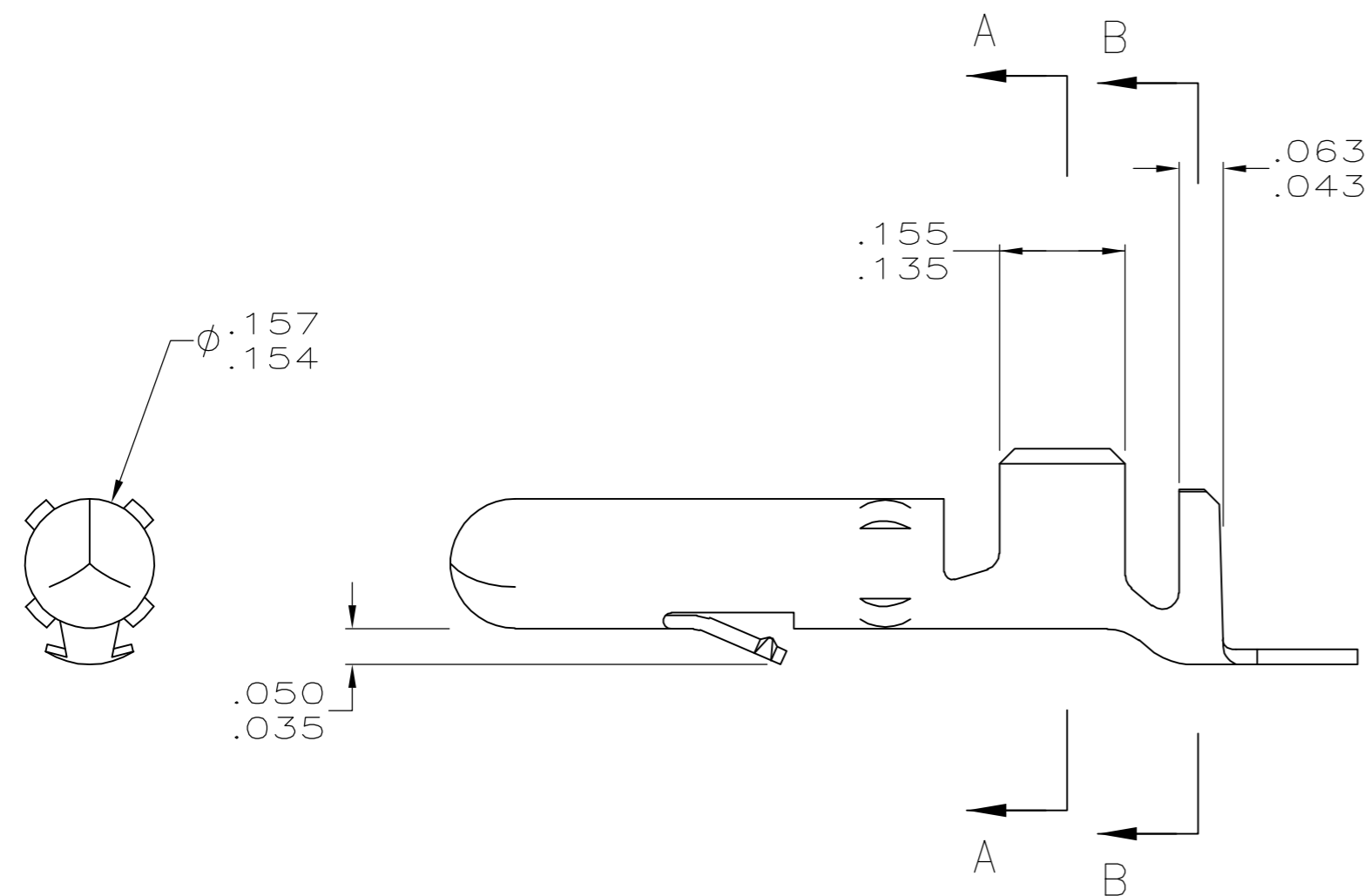
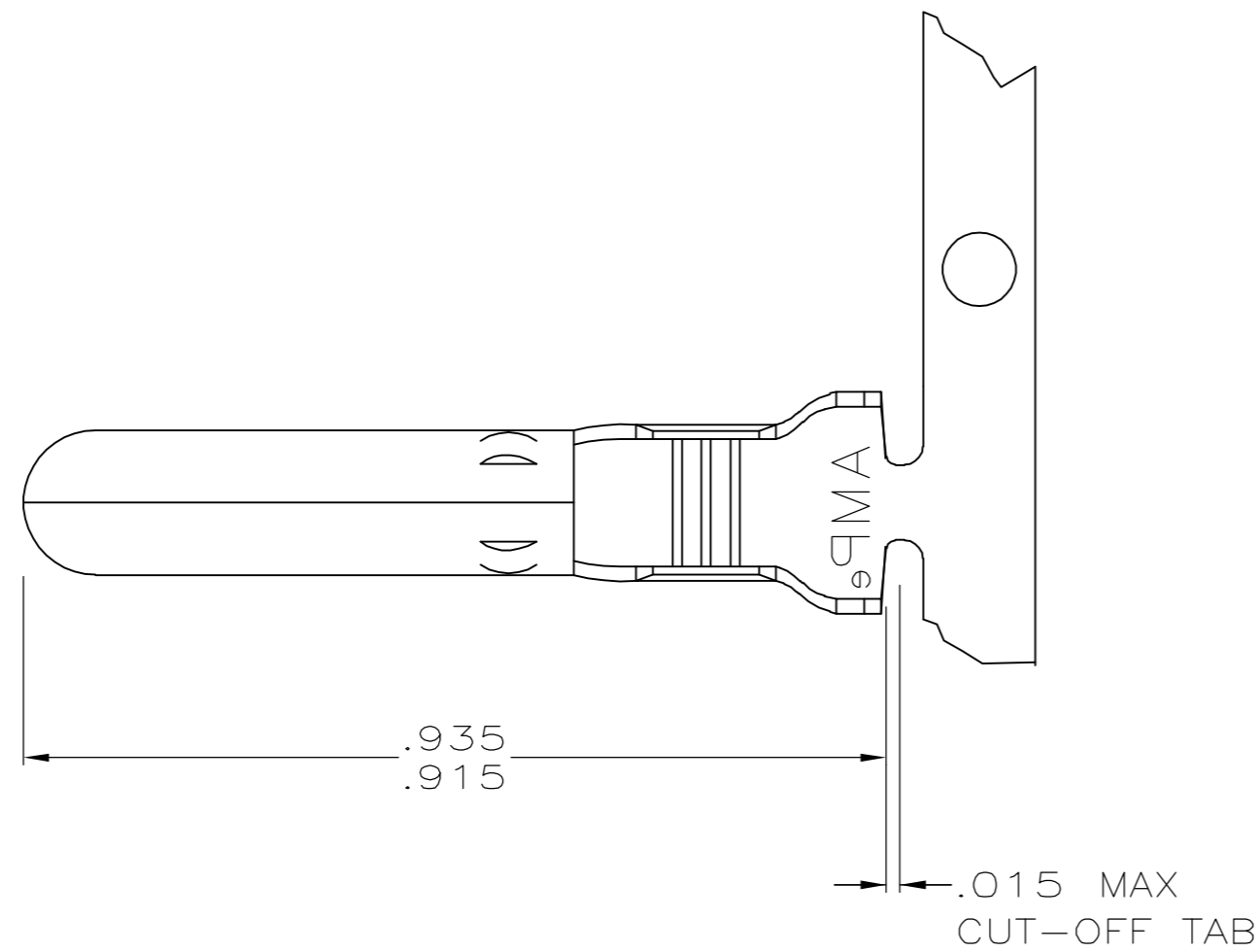


THIS DRAWING IS UNPUBLISHED. RELEASED FOR PUBLICATION
 © COPYRIGHT BY TYCO ELECTRONICS CORPORATION. ALL RIGHTS RESERVED.

LOC	DIST	REVISIONS					
CM	0	P	LTR	DESCRIPTION	DATE	DWN	APVD
		0		REV PER EC OG3B-1161-04	25OCT05	KW	DC

1. WIRE RANGE: 12-10 (3-6mm²) AWG
 INSULATION RANGE: .185 MAX.



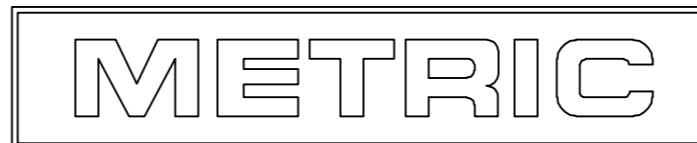
SECTION A-A
SCALE 10:1

SECTION B-B
SCALE 10:1

TIN	.018 COPPER ALLOY	1586487-1
FINISH	MATERIAL	PART NO

IN	MM	IN	MM	IN	MM	IN	MM
.050	1.27	.157	3.99	.230	5.84		
.043	1.09	.156	3.96	.215	5.46		
.035	0.89	.155	3.94	.209	5.31		
.018	0.46	.154	3.91	.185	4.70	.935	23.75
.015	0.38	.135	3.43	.175	4.45	.915	23.24
.005	0.13	.063	1.60	.160	4.06	.245	6.22
IN	MM	IN	MM	IN	MM	IN	MM

CONVERSION TABLE



THIS DRAWING IS A CONTROLLED DOCUMENT.

DIMENSIONS: INCHES	TOLERANCES UNLESS OTHERWISE SPECIFIED:	DWN K. WHITAKER 25OCT2005	Tyco Electronics Corporation Harrisburg, PA 17105-3608
	0 PLC ± -	CHK D. COLEY 25OCT2005	
	1 PLC ± -	APVD D. COLEY 25OCT2005	
	2 PLC ± -	PRODUCT SPEC	
MATERIAL SEE TABLE	FINISH SEE TABLE	APPLICATION SPEC	NAME PIN, ENHANCED CURRENT, .156 MATE-N-LOK(TM)
		WEIGHT -	SIZE A2 CAGE CODE 00779 DRAWING NO C=1586487 RESTRICTED TO -
		CUSTOMER DRAWING	SCALE 5:1 SHEET 1 of 1 REV 0