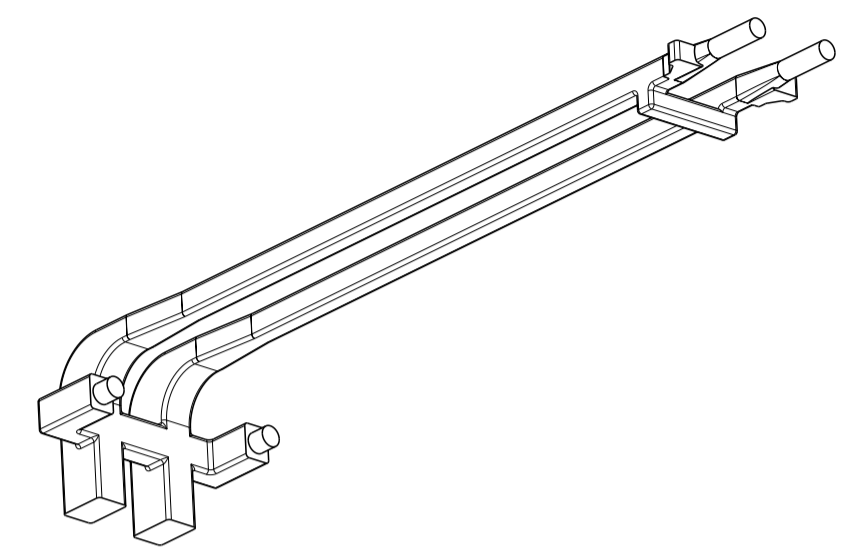
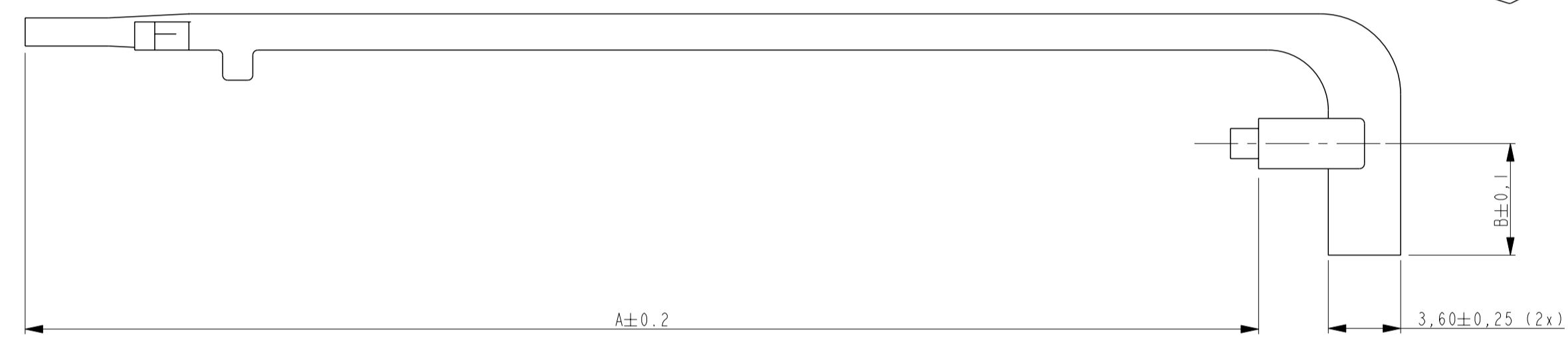
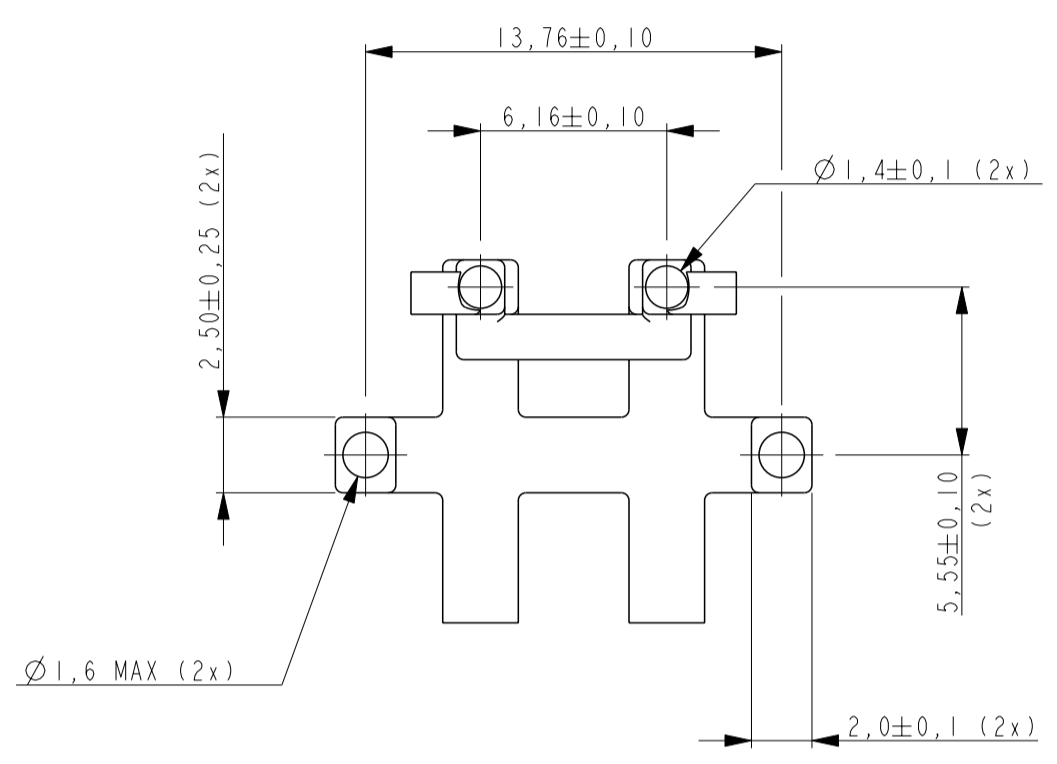
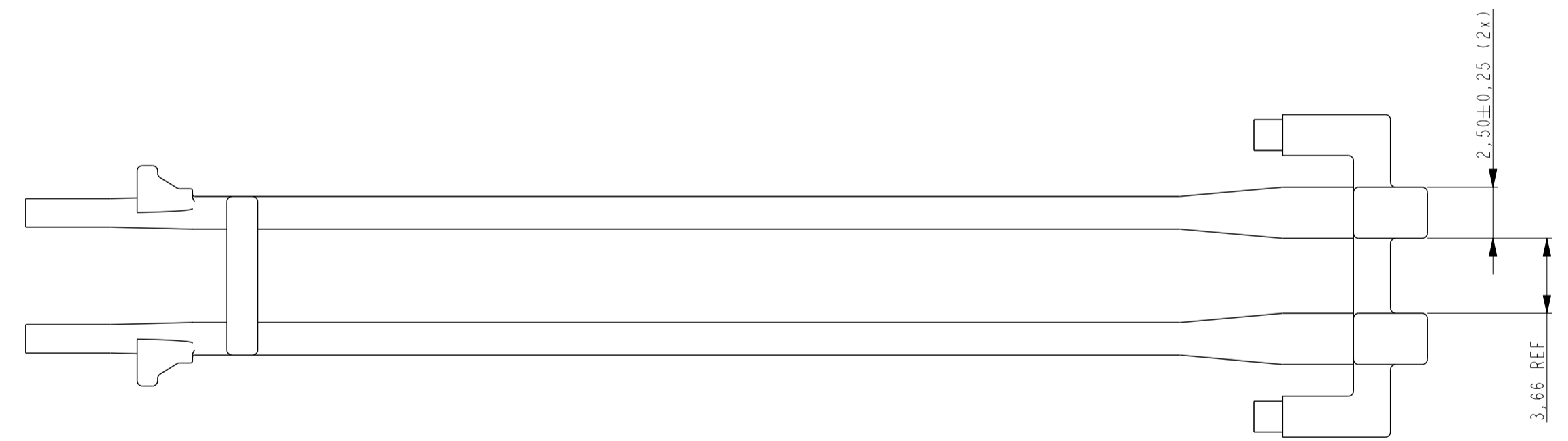


THIS DRAWING IS UNPUBLISHED. RELEASED FOR PUBLICATION 2007
 © COPYRIGHT - BY TYCO ELECTRONICS CORPORATION. ALL RIGHTS RESERVED.

LOC	DIST	REVISIONS			
P	LTR	DESCRIPTION	DATE	DWN	APVD
H	-	1	INITIAL DRAWING	08MAR2012	JvdH TdB



NOTE:
 ⚠ MATERIAL: POLYCARBONATE, CLEAR.



6,00	57,69	2173482-7
6,00	58,49	2173482-3
5,55	57,69	2173482-2
5,55	61,39	2173482-1
B	A	PART NUMBER

PRELIMINARY PART
 NOT RELEASED FOR PRODUCTION
 THIS PRODUCT HAS NOT COMPLETED
 VALIDATION TESTING

THIS DRAWING IS A CONTROLLED DOCUMENT.

DIMENSIONS:	TOLERANCES UNLESS OTHERWISE SPECIFIED:	DWN	08 MAR 2012
mm	0 PLC ±	CHK	J.V.D. HEIJDEN
	1 PLC ±0,5	CHK	08 MAR 2012
	2 PLC ±0,13	APVD	B. MOOLIJ
	3 PLC ±0,013	APVD	09 MAR 2012
	4 PLC ±0,0001	NAME	T.D. BOER
	ANGLES ±	PRODUCT SPEC	
	FINISH	APPLICATION SPEC	114-32021
MATERIAL		WEIGHT	-
		CUSTOMER DRAWING	

PRELIMINARY **STE** TE Connectivity
 LIGHT PIPE, DOUBLE, BEHIND BEZEL, GANGED zQSFP+

SIZE	CAGE CODE	DRAWING NO	RESTRICTED TO
A2	00779	C-2173482	-
SCALE 4:1	SHEET 1	OF 1	REV 1