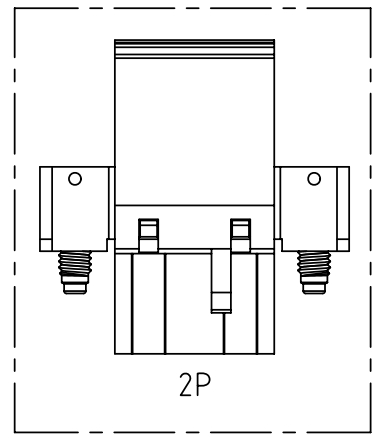
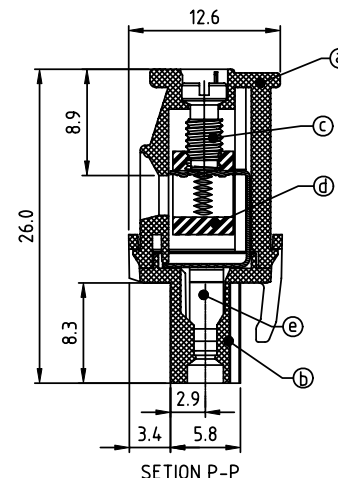
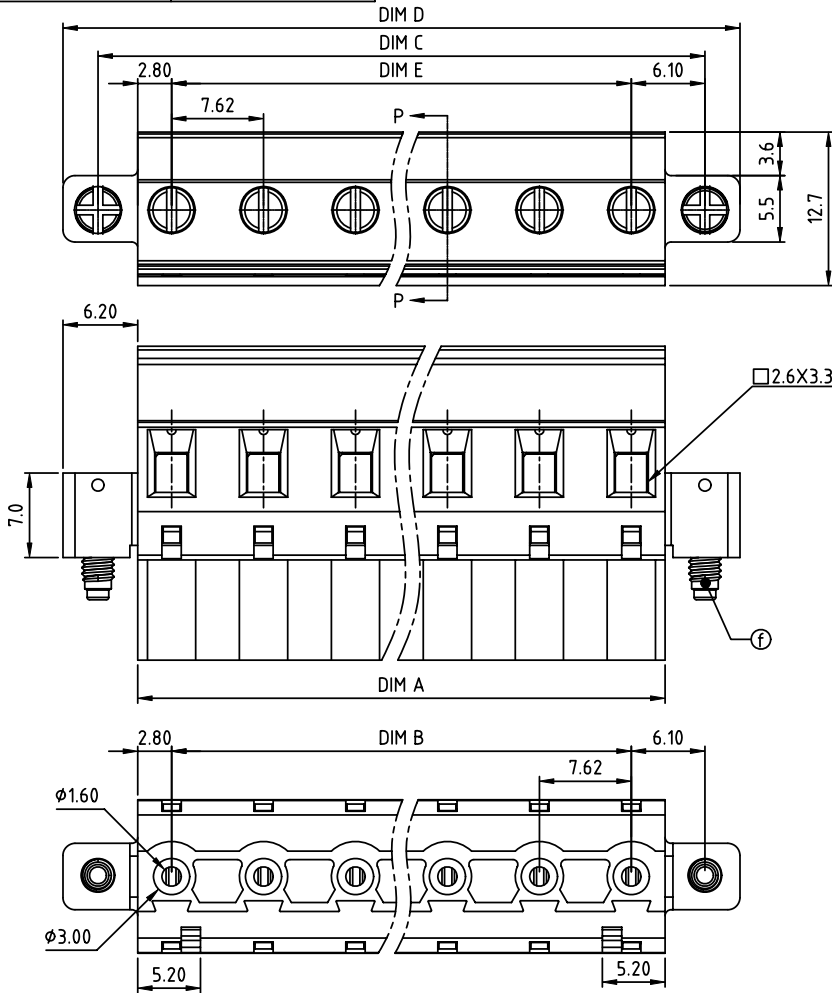


PRODUCT NUMBER	PITCH
TSxx01xD00J0G	7.62 mm



- Material**
- Item(a) Top body:Thermoplastic (UL94V-0)
 - Item(b) Bottom body:Thermoplastic (UL94V-0)
 - Item(c) Terminal screw:Steel Zinc plating "-" slot type
 - Item(d) Clamp:Brass, Ni plated
 - Item(e) Female contact:PhBz (CuSn) Tin plated
 - Item(f) With flange screw:Steel Zinc plating M2.5 "+/-" combination type
- Electrical** cULus/TUV
- Voltage rating: 300VAC/750VAC
 - Current rating: 15A/15A
 - Wire range:0.2-2.5mm²
 - Solid wire(AWG): 12-24
 - Stranded wire(AWG): 12-24
 - Torque: 3.5 Lb-In 0.4Nm
 - Screw: M3
 - Wire strip length: 6-7mm
 - Withstanding Voltage: 1.6KV/6KV
 - Operating temperature: -40°C to +115°C
 - Safety Approval: cULus TUV

Dim A=(N-1)×7.62+5.6
 Dim B=(N-1)×7.62
 Dim C=(N-1)×7.62+12.2
 Dim D=(N-1)×7.62+18.0
 Dim E=(N-1)×7.62
 N=Number of poles

POLES	Tolerance
2p-6p	±0.20
7p-11p	±0.30
12p-16p	±0.40

PART NO.: TS xx 01 x D 00J0 G

	Color	RoHS compliant
Solid block	0 Black (RAL9005)	(lead<4%)
No. of poles	2 Red (RAL3001/D)	In copper Alloy
02 2 poles	3 Orange(RAL2011/P)	
03 3 poles	4 Yellow(RAL1018/A)	
...	5 Green(RAL6018/T)	
16 16 poles	6 Blue (RAL5015/A)	
	8 Grey(RAL7035/D)	
	9 White(RAL1102)	
	C Green(RAL6018/U)	

mat'l. code		surface ASME Y14.5	tolerance ASME Y14.5	projection	product family TERMINAL BLOCK
ltr	ecn no	dr	date	tolerances unless otherwise specified	title
				angles X±0.5	TERMINAL BLOCK
				scale X.X±0.3	PLUGGABLE PLUG,HOOK ON BACK SIDE,WITH FLANGE
				X*±1"	X.XX±0.1
		dr	EVIN ZHONG	041914	FCI
		enr	EVIN ZHONG	041914	dwg no
		chr	HANKE FENG	041914	sheet 1 of 1
		appd	SHI JUN	041914	size
					A4
sheet index	revision	A			type
	sheet	1			CUSTOMER Drawing