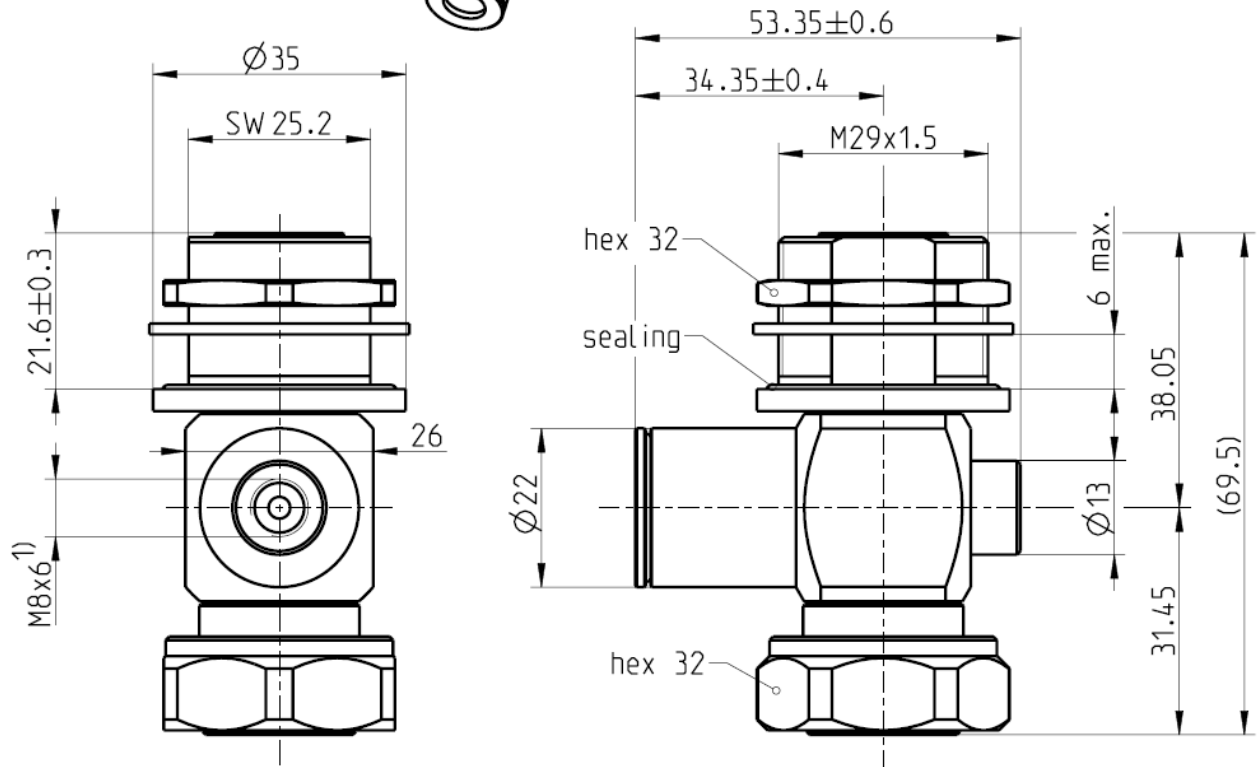


1) thread M8 for grounding
(screw M8, washer and lock washer not plotted)



All dimensions are in mm; tolerances according to ISO 2768 m-H

Interface

According to IEC 61169-4, EN 122190, DIN 47223

Documents

Panel piercing B 75

Material and plating

Connector parts

Center contact jack side
Center contact plug side
Outer contact
Body
Dielectric
Gasket

Material

Spring bronze
Brass
Brass
Brass
PTFE
Silicone

Plating

Silver, 3-6 μm
Silver, 3-6 μm
Flash white bronze over silver(e.g. Optargen®)
Flash white bronze over silver(e.g. Optargen®)

Dieses Dokument ist urheberrechtlich geschützt • This document is protected by copyright • Rosenberger Hochfrequenztechnik GmbH & Co. KG

RF_35/05.10/6.0

