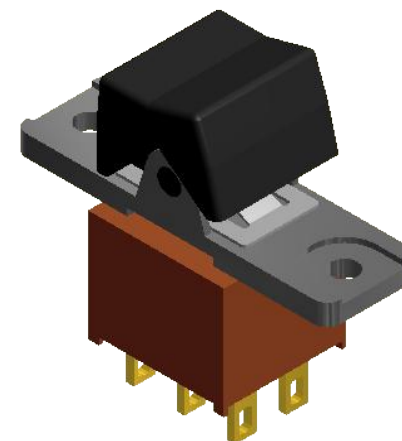
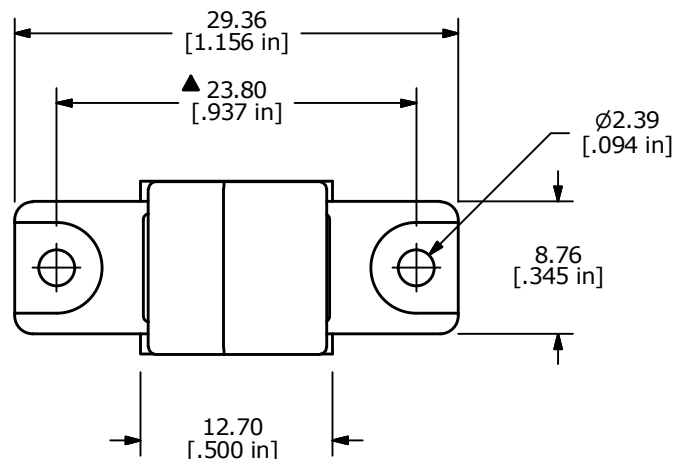
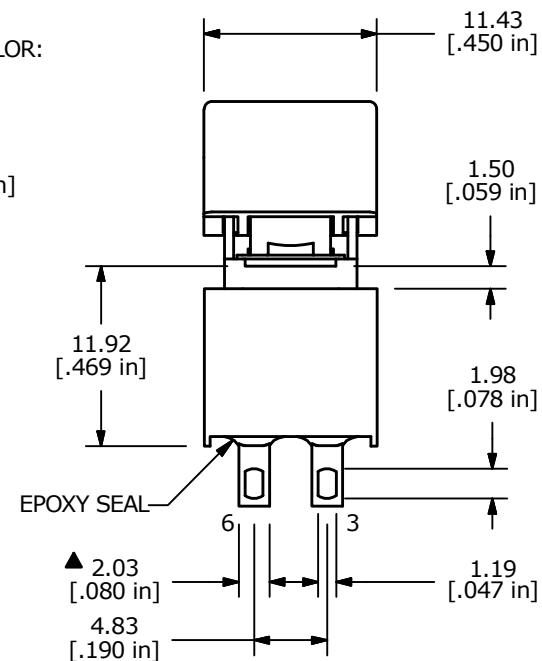
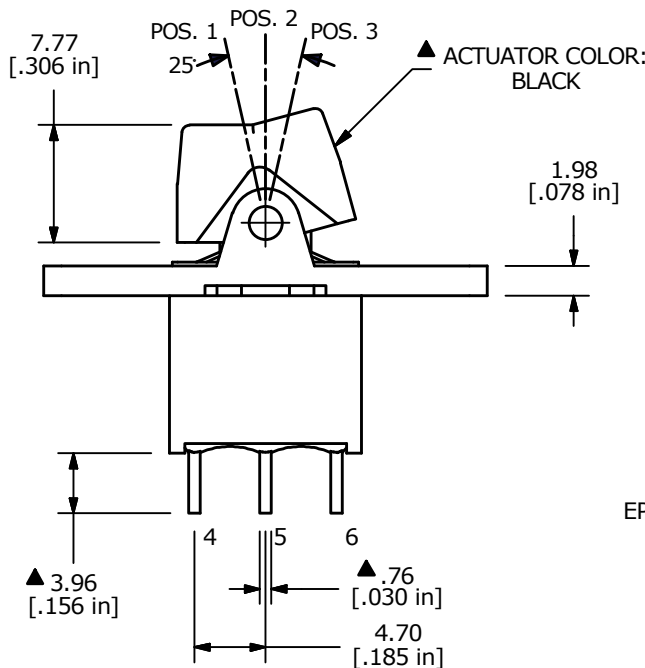
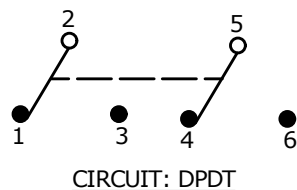


RECOMMENDED PANEL CUTOUT



SWITCH FUNCTION		
POS. 1	POS. 2	POS. 3
(ON)	NONE	(ON)
2-3, 5-6	N/A	2-1, 5-4

(ON) = MOMENTARY



- NOTE:
1. ALL DIMENSIONS IN MM [INCH]
  2. GENERAL TOLERANCE: X.X=±0.4  
X.XX=±0.25
  3. TERMINAL NUMBERS FOR REF ONLY
  4. PLATING MATERIAL: SILVER
  5. RATING: 5A @120VAC or 28VDC  
2A @250VAC
  6. ELECTRIC LIFE: 30,000 MAKE-AND-BREAK CYCLES AT FULL LOAD.
  7. INSULATION RESISTANCE: 1,000 MEGA-OHM MIN.
  8. DIELECTRIC STRENGTH: 1,000 V RMS @SEA LEVEL.
  9. OPERATING TEMP.: -30°C to 85°C
  10. ▲ DENOTES CRITICAL PARAMETER.
  11. 2011/65/EU (ROHS) COMPLAINT

REV	PCR NO	DESCRIPTION	DATE	BY
C	22689	ADDED COMPRESSION PLATE	1/23/17	MJR
B	22664	UPDATED LAYOUT AND TERMINALS	1/17/17	MJR

THE INFORMATION CONTAINED IN THIS DOCUMENT IS PROPRIETARY TO E-SWITCH AND IS NOT TO BE COPIED OR TRANSFERRED



TITLE 300AWDP4R11BLKM1QE				
SCALE 2:1	DATE 12/27/2004	DR AR	DWG T302011	REV C