

FOX PART NUMBER: 603-38.88-7

Ceramic, Seam-Sealed, SMD, Crystal



Model: FX325BS Series

RoHS / REACH Compliant / Pb Free

Rev. 12/8/2014

Page 1 of 1

http://www.foxonline.com/need_a_sample.htm

Need a
Sample®

For Use with IDT Part Numbers:

| | |
|-----------|----------|
| 8T49N281I | 8T49N285 |
| 8T49N282I | 8T49N286 |
| 8T49N283I | 8T49N287 |

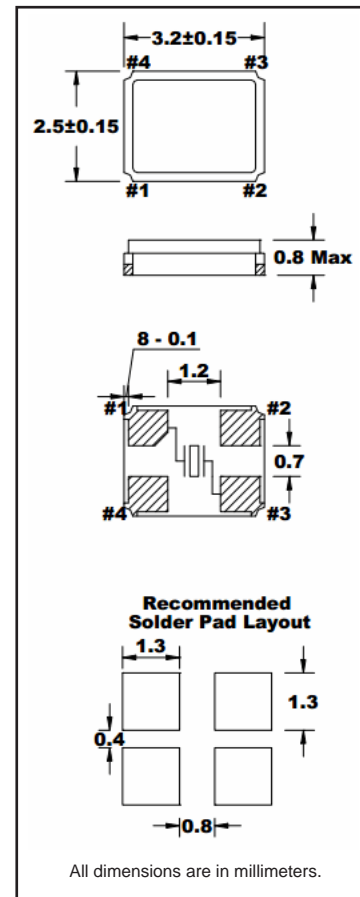
• FOX PART NUMBER: 603-38.88-7

| Part Number | Model Number | Frequency |
|-------------|--------------|------------|
| 603-38.88-7 | FX325BS | 38.880 MHz |

• STANDARD SPECIFICATIONS

| PARAMETERS | MAX (unless otherwise noted) |
|--|------------------------------|
| Frequency | 38.880 MHz |
| Resonance Mode | Fundamental |
| Frequency Tolerance @ 25°C | ±20 PPM |
| Frequency Stability, ref @ 25°C Over Operating Temp Range | ±20 PPM |
| Temperature Range | |
| Operating (TOPR) | -40°C ~ +85°C |
| Storage (TSTG) | -40°C ~ +85°C |
| Equivalent Series Resistance (ESR) | 30 Ohms |
| Shunt Capacitance (Co) | 5 pF |
| Load Capacitance (CL) | 12 pF |
| Drive Level | 0.3 mW |
| Aging (over 10 years) | ±10 PPM |
| Maximum Soldering Temp / Time | 260°C / 10 Seconds |
| Moisture Sensitivity Level (MSL) | 1 |
| Termination Finish | Au |
| Weight (TYP) | 16.75 mg |

Note: Dimensional drawing is for reference to critical specifications defined by size measurements. Certain non-critical visual attributes, such as side castellations, etc. may vary. The above specifications, having been carefully prepared and checked, is believed to be accurate at the time of publication; however, no responsibility is assumed by Fox Electronics for inaccuracies. All specifications subject to change without notice.



• TAPE SPECIFICATIONS (millimeters)

| MODEL | A | B | C | D | E | F | STD Reel QTY |
|---------|------|-----|-----|-----|-----|-----|--------------|
| FX325BS | ∅1.5 | 4.0 | 4.0 | 3.5 | 8.0 | 1.3 | 3,000 |

• REEL SPECIFICATIONS (millimeters)

| MODEL | G | H | I | J | K | L | M |
|---------|-----|-----|-----|-----|------|-----|-----|
| FX325BS | 2.0 | ∅13 | ∅21 | ∅80 | ∅180 | 9.0 | 2.0 |

