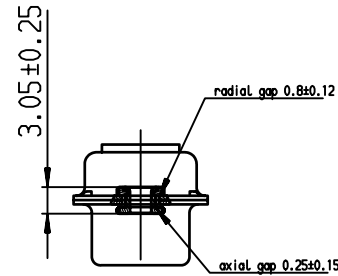
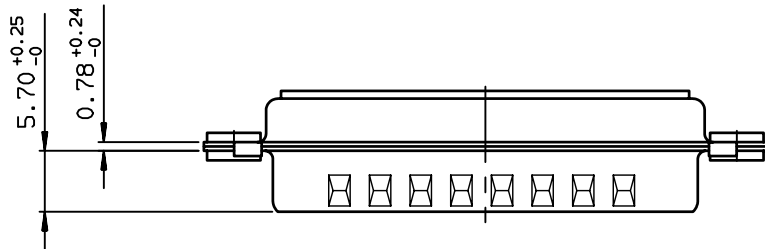
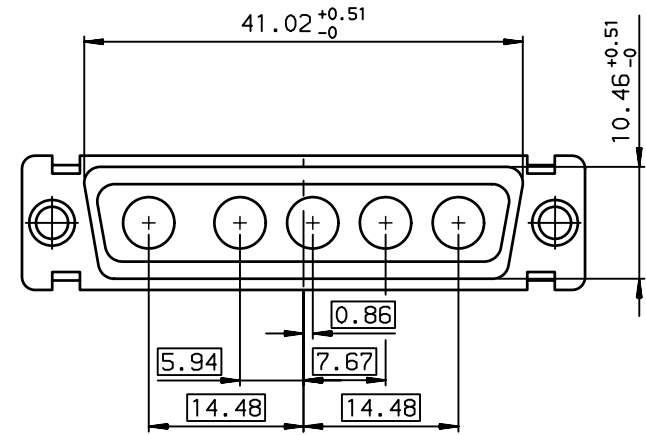
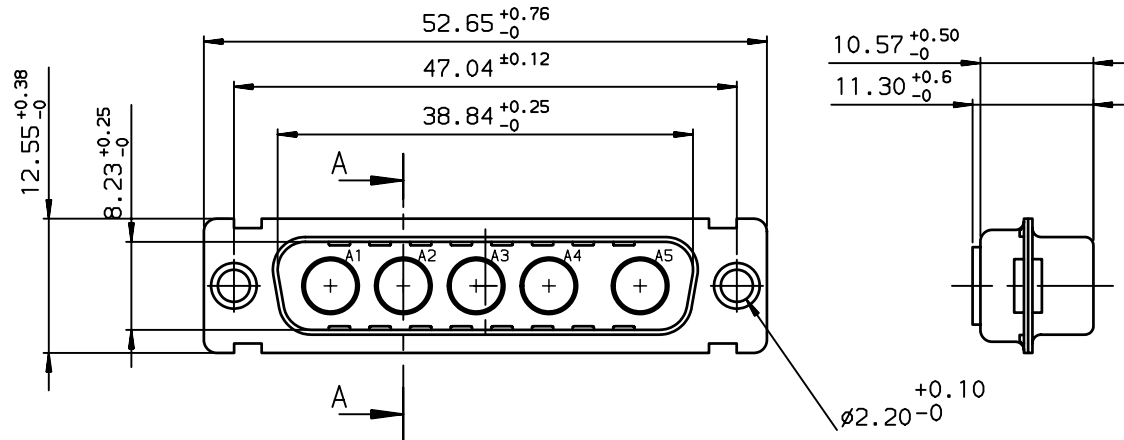
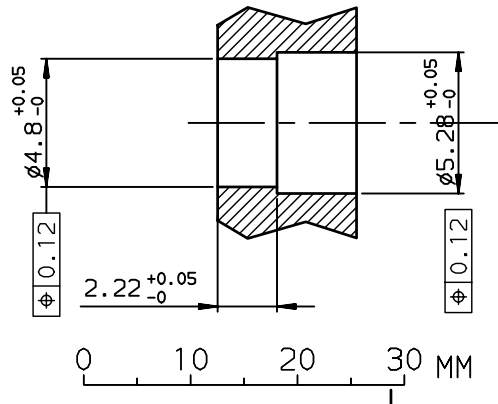


GENERAL CHARACTERISTICS : SEE DRAWING C01-8639-0001



SECTION AA ech:5



DBF5W5PA00
PART NUMBER

European Views

| | | | | | | | |
|--------------------|--------|---|-----------------------------------|------------------|------------|---------------|------------|
| www.fciconnect.com | | surface ISO 1302 | tolerance std ISO 406 ISO 1101 | projection mm | size A3 | | Scale 2 |
| | | TOLERANCES UNLESS OTHERWISE SPECIFIED | | size A3 | | ECN LS07-0273 | |
| Dr | JARRY | 2001/02/20 | 0.X | ±0.1 | | | |
| Eng | JARRY | 2001/02/20 | 0.XX | ±0.1 | | | |
| Chr | LEGARE | 2001/02/20 | 0.XX* | ±2* | | | |
| Appr | LEGARE | 2001/02/20 | Product family | | D-SUB | Spec ref - | |
| FCI | | MALE CONNECTOR 5W5 WITH FLOAT MOUNTING | | | dwg no | C01-8639-1867 | |
| catalog no | | | | | CUSTOMER | sheet 1 of 1 | |

| rev | ecn no | dr | date |
|-----|-----------|-----|------------|
| B | - | DEB | 2003/10/01 |
| C | LS06-0097 | LGO | 2006/07/31 |
| D | LS07-0273 | MPE | 2007/10/31 |
| - | - | - | - |
| - | - | - | - |
| - | - | - | - |