

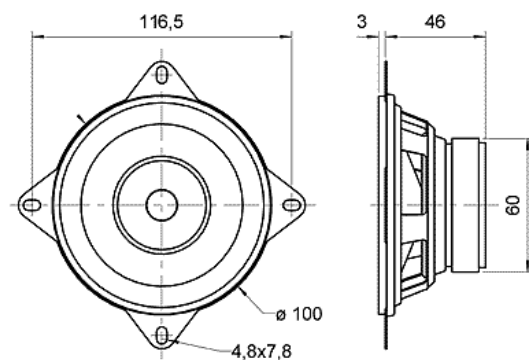
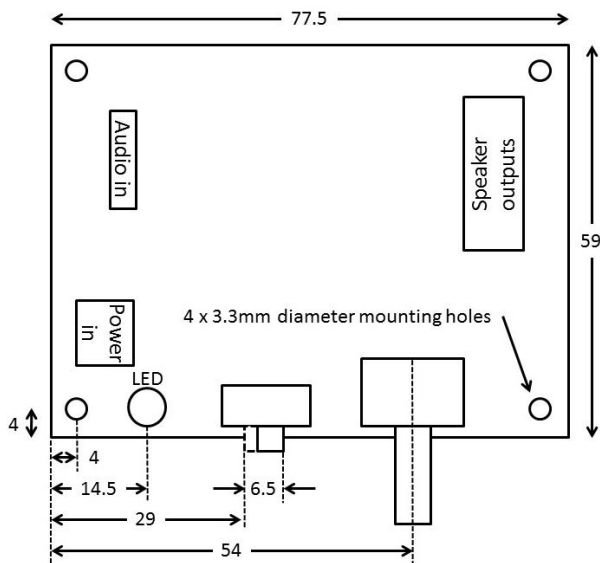


Designing the Enclosure

When you design the enclosure, you will need to consider:

- The size of the PCB (below left, height including components = 65mm (including heatsink))
- How to mount the speaker (below right).
- How to allow the audio cable out of the box.
- Are you making the amplifier for a particular MP3 player, if so should the player go in the box?

These technical drawings of the amplifier PCB and speaker should help you plan this.



All dimensions in mm

Mounting the PCB to the enclosure

The drawing (below) shows how a hex spacer can be used with two bolts to fix the PCB to the enclosure.

Your PCB has four mounting holes designed to take M3 bolts

