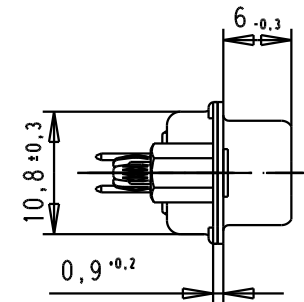
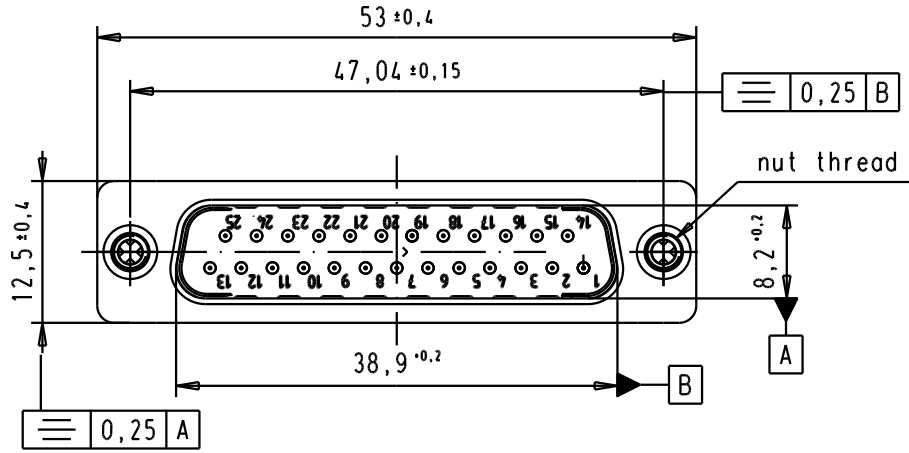


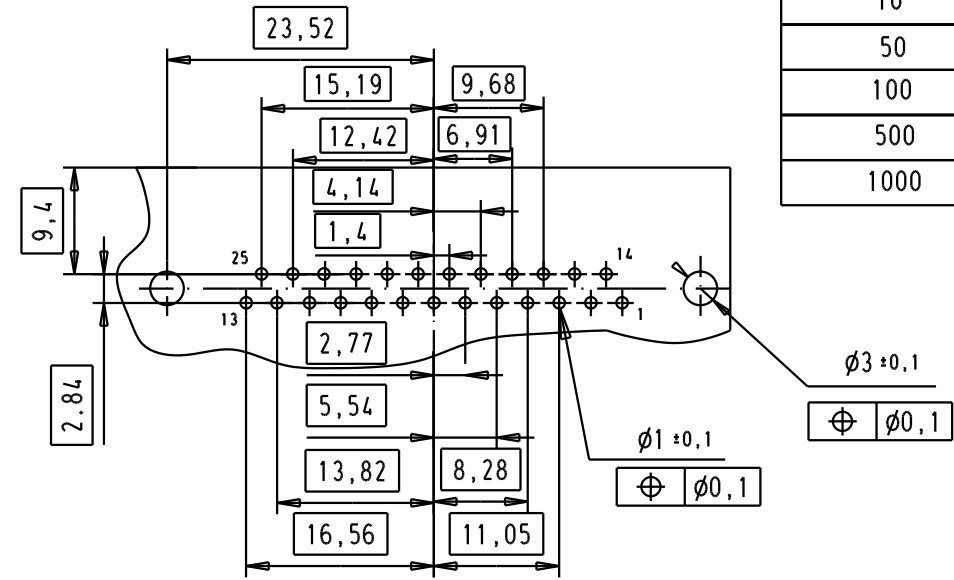
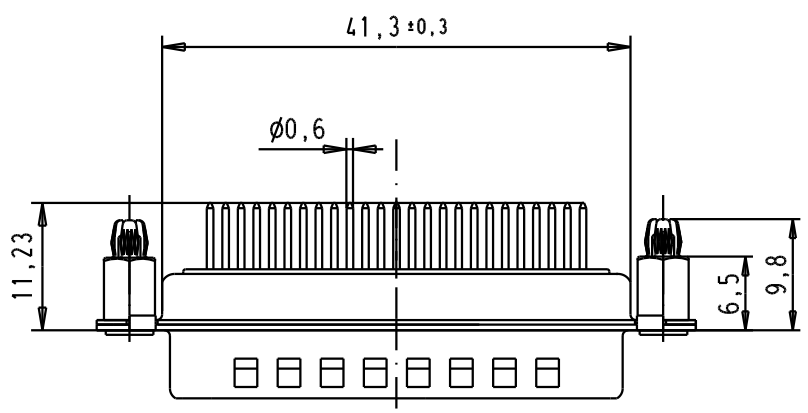
SPECIFICATION

Mating Cycles	500
Filter type	C
Capacitance	3900pf±20%
Working Voltage	100v
Current Rating	7.5A
Insulation Resistance	>1GΩ



PCB Layout, Component side, PCB thickness 1,6 mm

FREQUENCY (MHz)	ATTENUATION (dB)
5	6dB
10	11dB
50	25dB
100	35dB
500	35dB
1000	32dB



					Detail.	Dat.	Name	 All Dim. in mm Orig. Size DIN A 4	D-Sub, male, straight, 25 Poles, turned solder pins, tin plated shell with dimples, spacer nuts and board-locks	Mo?Mstab/ Scale 1.5:1
					Insp.					
					Stand.					
09643227246	M3	33423	06/02/06	JMDR	HARTING EURL F-95972 Paris				TB 0964322724x	Blatt/ Page 2 / 3
09643227245	UNC 4-40	31058	8-JUL-02	CV						
Part number	Nut thread	Mod.	Dat.	Name						