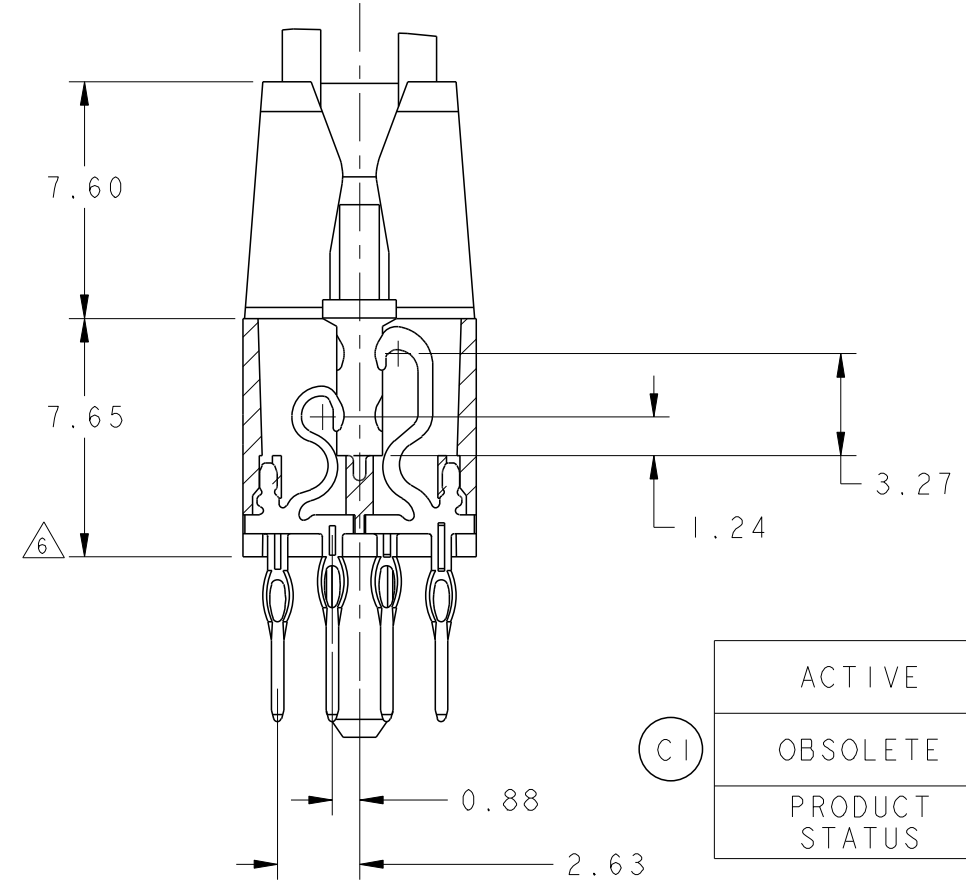
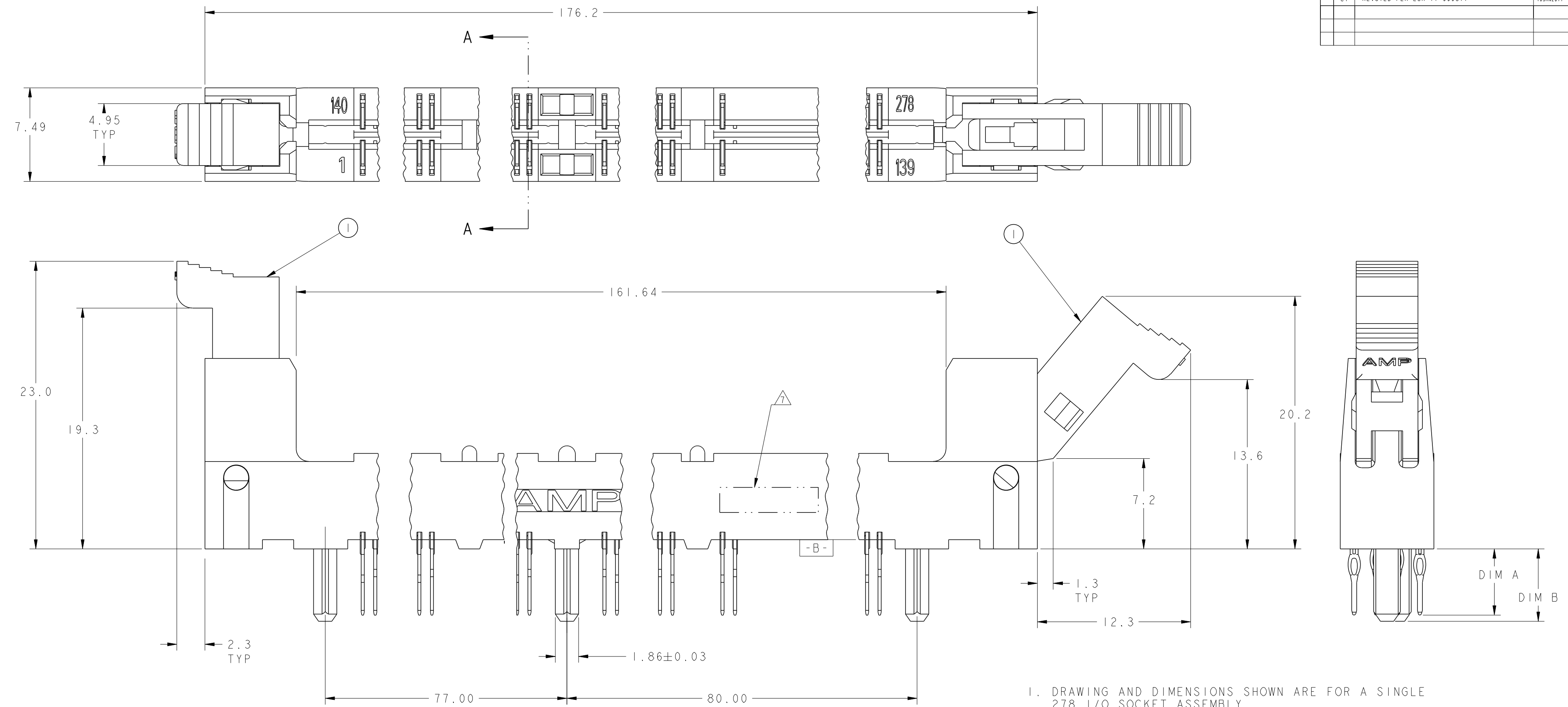


LOC		DIST		REVISONS			
GP	0	LT#	DESCRIPTION	DATE	DRN	APPR	
		C1	REVSIED PER ECR-11-000517	10JAN2011	SW	CW	



ACTIVE	NATURAL	5.79	4.21	278	390350-2
OBSOLETE	BLACK	5.79	5.29	278	390350-1
PRODUCT STATUS	COLOR (1)	DIM_B	DIM_A	POS	PART NUMBER

- DRAWING AND DIMENSIONS SHOWN ARE FOR A SINGLE 278 I/O SOCKET ASSEMBLY.
- THE POST DIAMETER REFERENCE DIMENSIONS EXCLUDE THE POSTS' FLUTING FEATURES.

CONTACT PADS SHALL BE PLATED WITH 0.0008 [.00003] MINIMUM THICK GOLD OVER 0.0038 [.00015] MINIMUM THICK NICKEL.

MATERIAL:  
 HOUSING- HIGH TEMPERATURE NYLON, BLACK.  
 EXTRACTORS- HIGH TEMPERATURE NYLON, DARK BLUE, DARK GREEN.  
 CONTACTS- PHOSPHOR BRONZE WITH 0.00076 [.000030] MIN THICK GOLD OVER 0.0038 [.000150] MIN THICK NICKEL IN CONTACT AREA AND 0.0038 [.000150] MIN THICK TIN-LEAD OVER 0.00127 [.000050] MIN THICK NICKEL ON SOLDER TAIL.

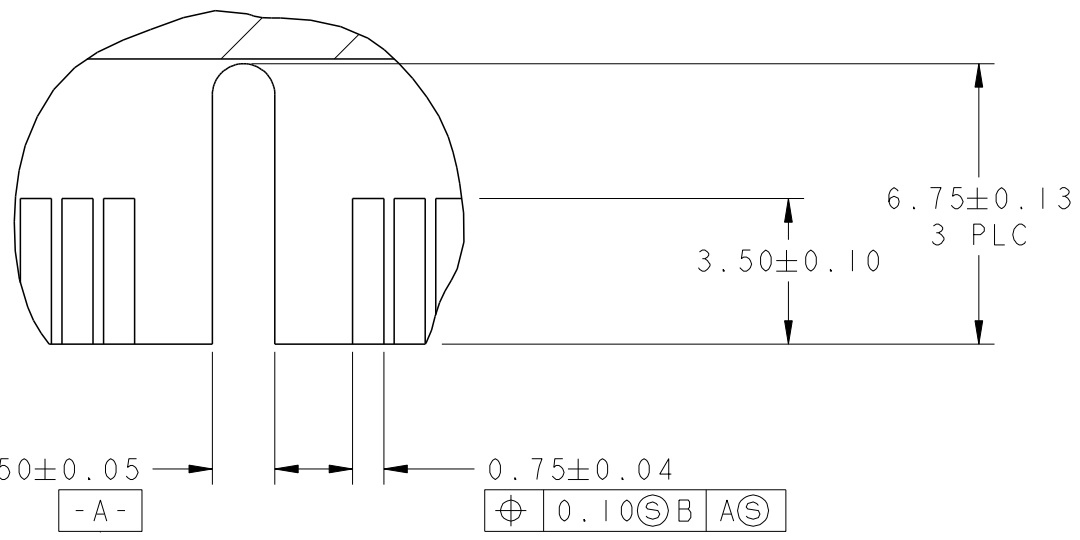
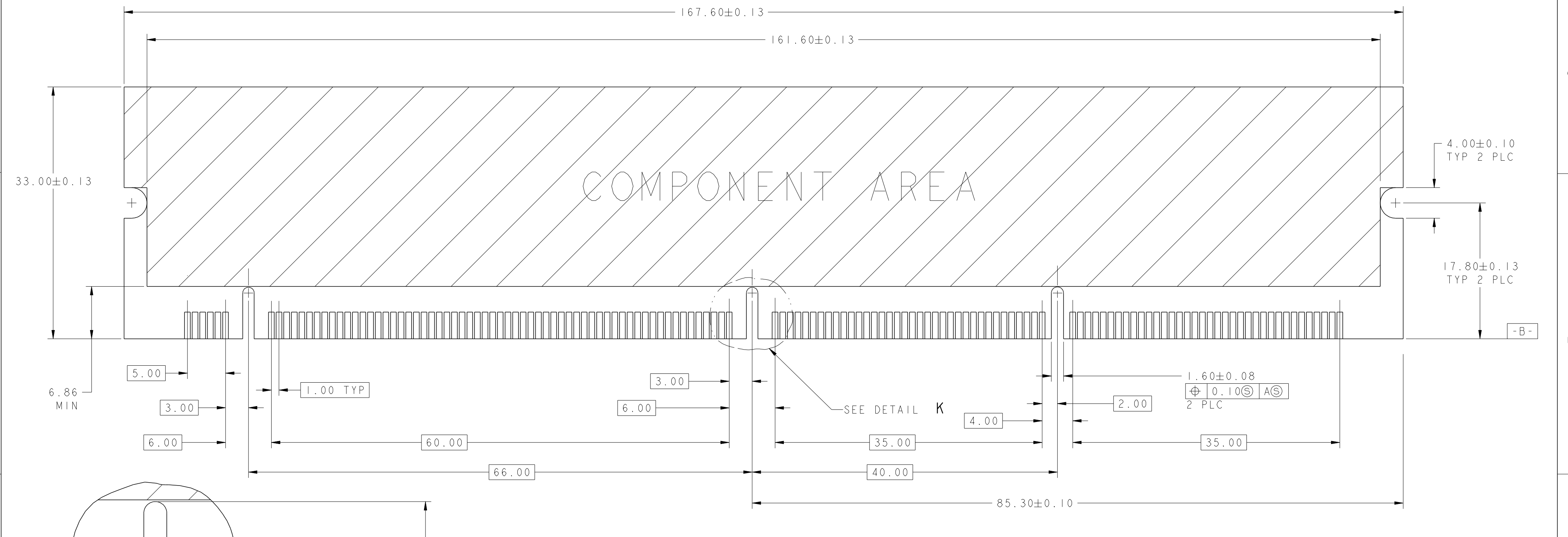
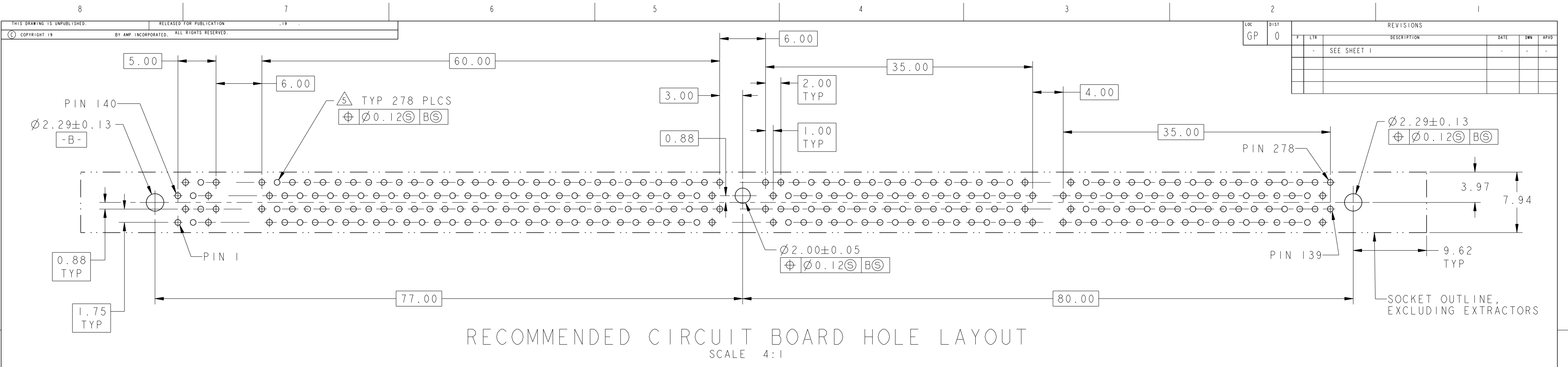
REFERENCE APPLICATION SPEC 114-13153 FOR RECOMMENDED PLATED THRU HOLE DIAMETER AND PLATING THICKNESS.

PCB SURFACE

DATE CODE LOCATED APPROX. AS SHOWN.

SECTION A-A  
 ROTATED 90° CW

<small>THIS DRAWING IS UNPUBLISHED. RELEASED FOR PUBLICATION BY AMP INCORPORATED. ALL RIGHTS RESERVED.</small>		DWN: SIWINSKI 12-NOV-99 CHK: SHIRLING 16-NOV-99 APFD: SIWINSKI 16-NOV-99	NAME: SOCKET ASSEMBLY, 16 BYTE DIMM, Imm, 278 PRESS FIT SIZE: A1 CAGE CODE: 00779 DRAWING NO: 390350
DIMENSIONS: MM TOLERANCES UNLESS OTHERWISE SPECIFIED: 0 PLC ±.05 1 PLC ±0.30 2 PLC ±0.10 3 PLC ±0.01 4 PLC ±.05 ANGLES ±.05	MATERIAL: NYLON FINISH: -	WEIGHT: - CUSTOMER DRAWING	Tyco Electronics Harrisburg, PA 17105-3608 AMP SCALE: 6:1 SHEET 1 OF 2 REV: C1



<small>THIS DRAWING IS A CONTROLLED DOCUMENT FOR AMP INCORPORATED. IT IS SUBJECT TO CHANGE AND THE CONTROLLING ENGINEERING ORGANIZATION SHOULD BE CONTACTED FOR THE LATEST REVISION.</small>		OWN: SIWINSKI 12-NOV-99 CHK: SHIRLING 16-NOV-99 APD: SIWINSKI 16-NOV-99	<b>AMP</b> Tyco Electronics Harrisburg, PA 17105-3608
DIMENSIONS: MM 	TOLERANCES UNLESS OTHERWISE SPECIFIED: 0 PLC ±.30 1 PLC ±.30 2 PLC ±.10 3 PLC ±.01 4 PLC ±.01 ANGLES ±.05	NAME: SOCKET ASSEMBLY, 16 BYTE DIMM, 1mm, 278 PRESS FIT SIZE: A1 CAGE CODE: 00779 DRAWING NO: 390350	SCALE: 6:1 SHEET: 2 OF 2 REV: C1
MATERIAL:	FINISH: -	WEIGHT: -	CUSTOMER DRAWING