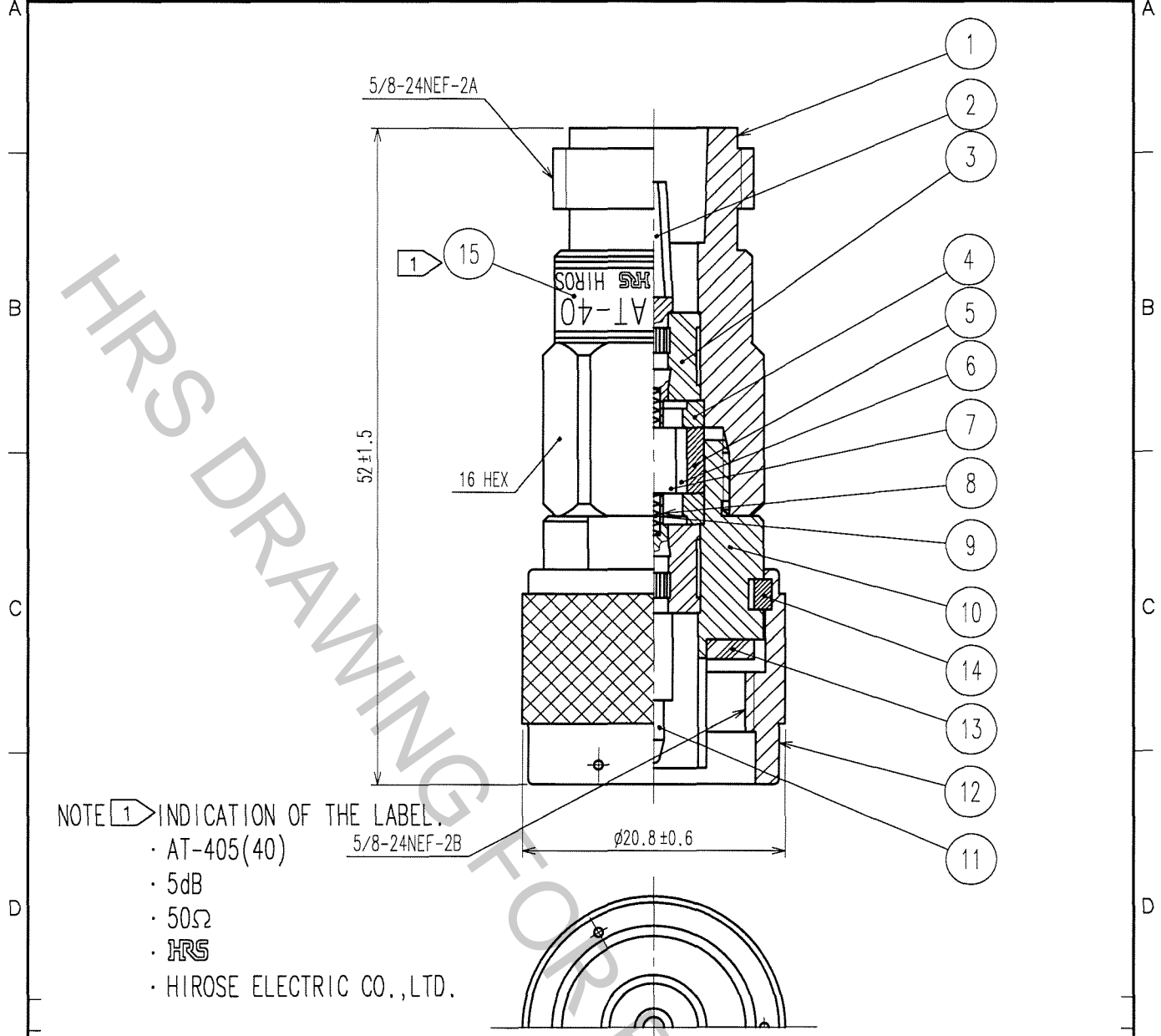


1		2			3			4		
COUNT	DESCRIPTION OF REVISIONS	BY	CHKD	DATE	COUNT	DESCRIPTION OF REVISIONS	BY	CHKD	DATE	
△					△					
△					△					
△					△					



NOTE 1 INDICATION OF THE LABEL.

- AT-405(40)
- 5dB
- 50Ω
- HRS
- HIROSE ELECTRIC CO.,LTD.

8	BERYLLIUM COPPER	GOLD PLATING			
7	ALUMINA		15		LABEL
6	BERYLLIUM COPPER	GOLD PLATING	14	PHOSPHOR BRONZE	NICKEL PLATING
5	BRASS	NICKEL PLATING	13	SILICONE RUBBER	
4	BRASS	NICKEL PLATING	12	BRASS	NICKEL PLATING
3	PTFE		11	BRASS	GOLD PLATING
2	BERYLLIUM COPPER	GOLD PLATING	10	BRASS	NICKEL PLATING
1	BRASS	NICKEL PLATING	9	PIANO WIRE	
NO.	MATERIAL	FINISH, REMARKS	NO.	MATERIAL	FINISH, REMARKS

CODE NO. (OLD) CL		DRAWN R. Sato 06.09.26	DESIGNED R. Kano 06.09.26	CHECKED R. Kano 06.09.26	APPROVED R. Kano 06.09.26	RELEASED
DRAWING NO. EDC4-030817-01		PART NO. AT-405(40)				
SCALE 2 : 1		CODE NO. CL354-0177-6-40				1/1
UNITS mm		HRS HIROSE ELECTRIC CO.,LTD.				

TO
RFD