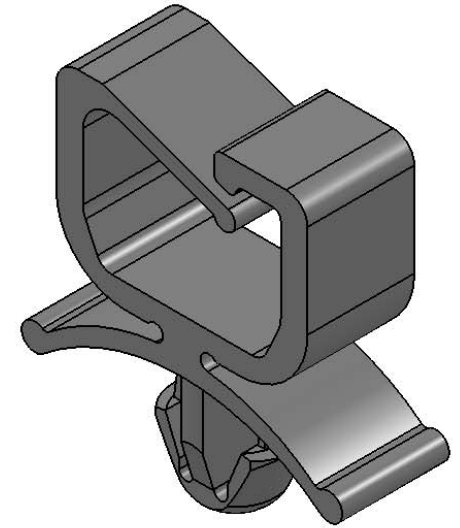
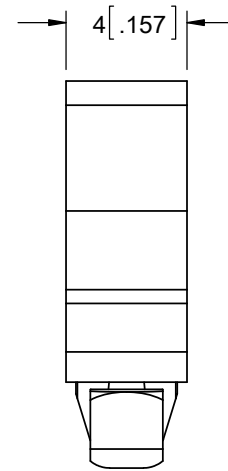
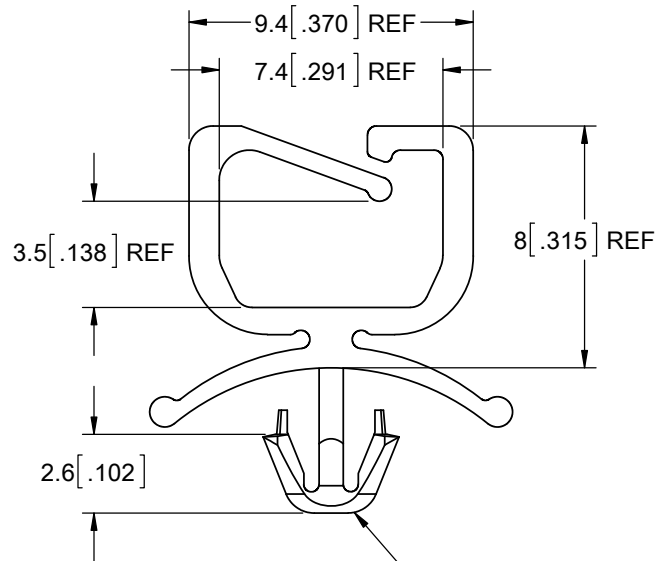


PART NUMBER	MATERIAL
MWSEA4-1-01	NYLON 6/6 UL94 V-2 (RMS-01), COLOR NATURAL
MWSEA4-1-19	NYLON 6/6 UL94 V-0 (RMS-19), COLOR NATURAL



TO SNAP-LOCK IN A $\varnothing 3.5 \pm 0.1$ [$\varnothing .138 \pm .004$] HOLE,
IN A 0.6-1.6 [.024-.063] THICK PANEL

A			RELEASED FOR PRODUCTION			SK	08/03/11	TITLE: MICRO WIRE SADDLE					UNITS= mm [IN]	
REV.	DESCRIPTION		ENGR.	DATE				CREATED USING SOLIDWORKS	FILE #: MWSEA4-1	DWN: SK	APP: SK	FINAL		
								TOLERANCES UNLESS NOTED	SHEET: 1 OF 1	SHEET SIZE: A	DT: 05/24/11	CHKD: DZ	PART #	
								X<10=±0.1	RE: RICHCO, INC.		RICHCO, INC.		SEE TABLE	
								10<X<30=±0.3	--		WWW.RICHCO-INC.COM		PRINT TYPE	
								X>30=±0.5					CA	
								ANG.=±1°						