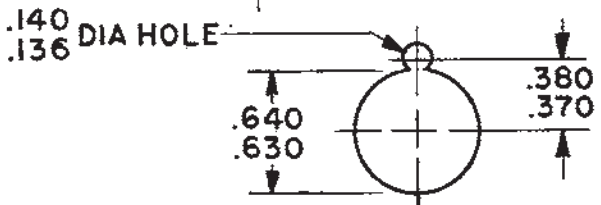
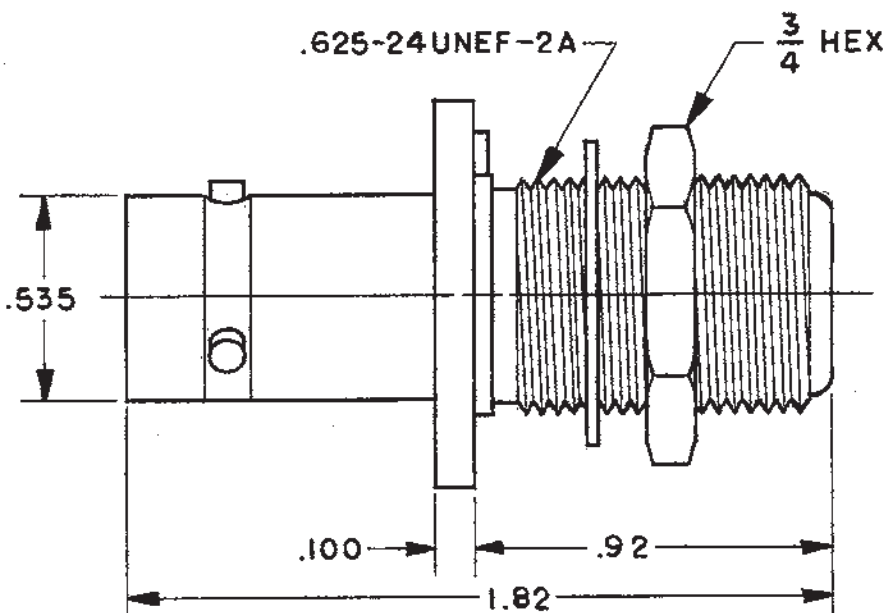
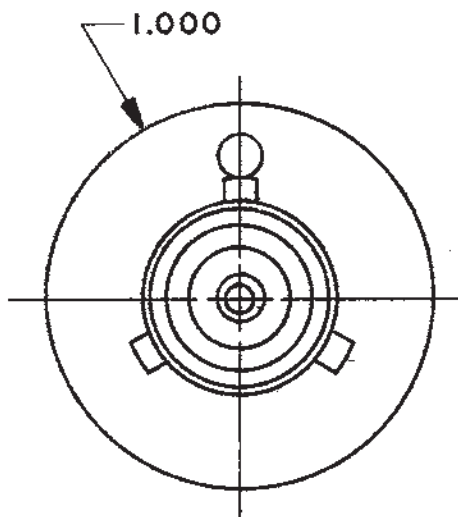


DATA CONTAINED IN THIS DOCUMENT IS PROPRIETARY TO TROMPETER ELECTRONICS INC. AND SHALL NOT BE DISCLOSED, COPIED OR USED FOR PROCUREMENT OR MANUFACTURE WITHOUT EXPRESS WRITTEN PERMISSION.

1000-0028 SH 1

REV		EO	DESCRIPTION	DWN	APPROVED	DATE
B	5382		REV & REDWN	RJS	<i>TW</i>	5-10-82
C	7203		ADDED DIMENSIONAL TOLS	CKH	<i>CKH</i>	6-20-86


INCH	MM
.100	2.54
.136	3.45
.140	3.56
.312	7.92
.370	9.40
.380	9.65
.535	13.59
.630	16.00
.640	16.26
.920	23.37
1.000	25.40
1.820	46.23



RECOMMENED
PANEL CUTOUT
SCALE: 1/1

4. FEMALE BULKHEAD MOUNT 50 OHM FEEDTHRU ADAPTER "N" TYPE JACK TO PATCH JACK
3. MAX PANEL THK .312
2. FINISH: TFS-1A (NICKEL)
1. ALL DIM ARE REF IN INCHES

NEXT ASSY

QTY	DESCRIPTION		PART NUMBER	ITEM		
	TOL UNLESS SPECIFIED .XX ± .03 .XXX ± .005 .XXXX ± ANGLES ±			J94		
DWN	RJS	4-1-82			MATERIAL	CODE IDENT
CHK	<i>TW</i>	4-28-82	—	14949	1000-0028	C
ENGR						
APPR	<i>CKH</i>	5-10-82	SCALE 2/1	DATE 1-13-72	SHEET 1 OF 2	