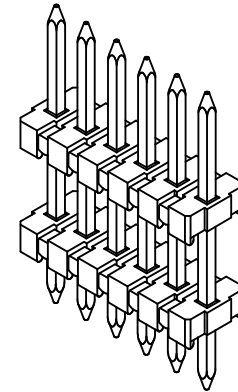
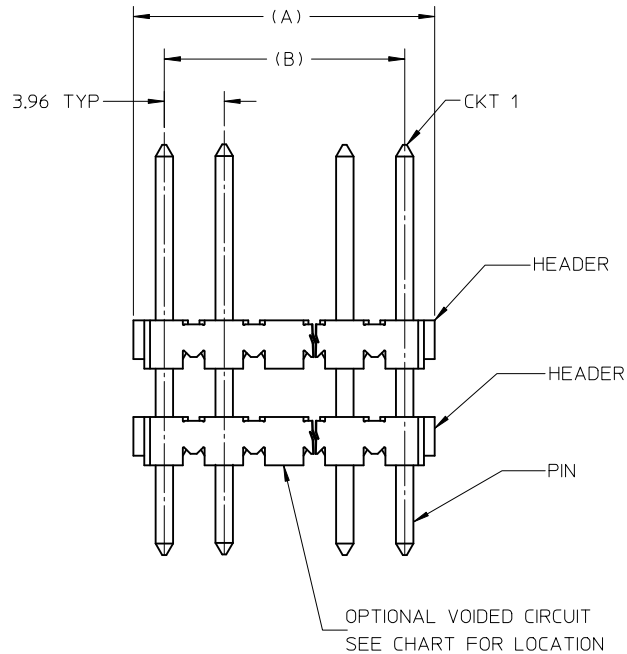
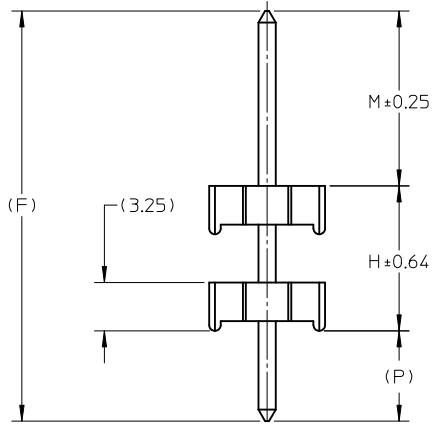


PCB LAYOUT : COMPONENT SIDE
RECOMMENDED PCB THICKNESS : 1.57



6 CKT ISO SHOWN
FOR REF. ONLY

CKT SIZE	A	B
4	15.26	11.89
5	19.22	15.85
6	23.18	19.81
7	27.14	23.77
8	31.11	27.74
9	35.07	31.70
10	39.03	35.66
11	42.99	39.62
12	46.96	43.59
13	50.92	47.55
14	54.88	51.51
15	58.84	55.47
16	62.81	59.44
17	66.77	63.40
18	70.73	67.36
19	74.69	71.32
20	78.66	75.29
21	82.62	79.25
22	86.58	83.21
23	90.54	87.17
24	94.49	91.14

NOTES :

- MATERIAL :
HOUSING : POLYESTER, UL94V-0, COLOR : BLACK
PIN : 1.14MM SQ PIN BRASS.
- FINISH :
(1) : 5.08µm MIN TIN OVER 2.54µm MIN COPPER OVERALL.
(2) : 0.38µm MIN GOLD OVER 1.25µm MIN NICKEL OVERALL.
(3) : 2.50µm MIN TIN OVER 1.25µm MIN NICKEL OVERALL.
(4) : 0.38µm MIN GOLD OVER 2.50µm MIN TIN OVER 1.25µm MIN NICKEL OVERALL.
- PRODUCT SPECIFICATION : PS-68340-014.
- PARTS ARE NOT STACKABLE ON 3.96MM CENTERS.

REVISED EC NO: S2010-0518 DRWN:SKANG 2009/12/21 CHKD:ATSEE 2010/01/08 APPR:MLONG 2010/01/09	QUALITY SYMBOLS	GENERAL TOLERANCES (UNLESS SPECIFIED)	DIMENSION STYLE	SCALE	DESIGN UNITS	THIRD ANGLE PROJECTION															
	$\nabla=0$ $\square=0$	<table border="1"> <thead> <tr> <th></th> <th>mm</th> <th>INCH</th> </tr> </thead> <tbody> <tr> <td>4 PLACES</td> <td>± ---</td> <td>± ---</td> </tr> <tr> <td>3 PLACES</td> <td>± ---</td> <td>± ---</td> </tr> <tr> <td>2 PLACES</td> <td>± 0.25</td> <td>± ---</td> </tr> <tr> <td>1 PLACE</td> <td>± ---</td> <td>± ---</td> </tr> </tbody> </table>		mm	INCH	4 PLACES	± ---	± ---	3 PLACES	± ---	± ---	2 PLACES	± 0.25	± ---	1 PLACE	± ---	± ---	MM ONLY	NTS	METRIC	
		mm	INCH																		
	4 PLACES	± ---	± ---																		
3 PLACES	± ---	± ---																			
2 PLACES	± 0.25	± ---																			
1 PLACE	± ---	± ---																			
DESCRIPTION	ANGULAR ± 1/2°	DRAWN BY: SKANG DATE: 2009/06/15	TITLE: CUSTOM HEADER 3.96MM BREAKAWAY SINGLE ROW / DUAL BODY																		
REV: A1	DRAFT WHERE APPLICABLE MUST REMAIN WITHIN DIMENSIONS	CHECKED BY: ATSEE DATE: 2009/06/26	APPROVED BY: MLONG DATE: 2010/01/08																		
		MATERIAL NO.	MOLEX INCORPORATED																		
		SIZE: A3	DOCUMENT NO. SD-87447-001																		
		THIS DRAWING CONTAINS INFORMATION THAT IS PROPRIETARY TO MOLEX INCORPORATED AND SHOULD NOT BE USED WITHOUT WRITTEN PERMISSION																			

10 | 9 | 8 | 7 | 6 | 5 | 4 | 3 | 2 | 1

MATERIAL NUMBER	PLATING REFERENCE	DIM F PIN LENGTH	DIM M LENGTH	DIM H HEADER SPACING	DIM P P.C. LENGTH	CKT SIZE	VOIDED CKT NO.	PACK PER
87447-0001	4	43.18	22.23	15.87	5.08	4	3	ES-41679-A1

REVISED EC NO: S2010-0518 DRWN:SKANG 2009/12/21 CHKD:ATSEE 2010/01/08 APPR:MLONG 2010/01/09	QUALITY SYMBOLS	GENERAL TOLERANCES (UNLESS SPECIFIED)		DIMENSION STYLE MM ONLY		SCALE NTS	DESIGN UNITS METRIC	THIRD ANGLE PROJECTION		
	= 0 = 0		mm	INCH	DRAWN BY	DATE	TITLE			
		4 PLACES	± ---	± ---	SKANG	2009/06/15	CUSTOM HEADER 3.96MM BREAKAWAY SINGLE ROW / DUAL BODY			
		3 PLACES	± ---	± ---	CHECKED BY	DATE				
2 PLACES	± 0.25	± ---	ATSEE	2009/06/26	MOLEX INCORPORATED					
1 PLACE	± ---	± ---	APPROVED BY	DATE						
		ANGULAR ± 1/2°		MLONG	2010/01/08	MATERIAL NO.	DOCUMENT NO.		SHEET NO.	
		DRAFT WHERE APPLICABLE MUST REMAIN WITHIN DIMENSIONS		SEE TABLE		SD-87447-001		2 OF 2		
A1	REV			SIZE	THIS DRAWING CONTAINS INFORMATION THAT IS PROPRIETARY TO MOLEX INCORPORATED AND SHOULD NOT BE USED WITHOUT WRITTEN PERMISSION					

9 | 8 | 7 | 6 | 5 | 4 | 3 | 2 | 1