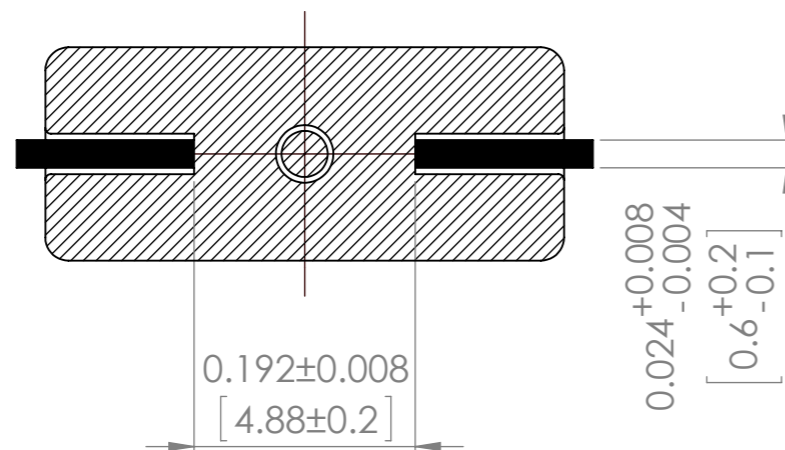
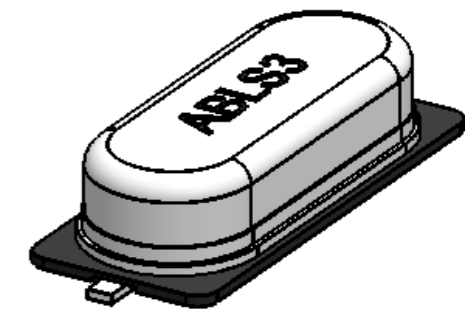
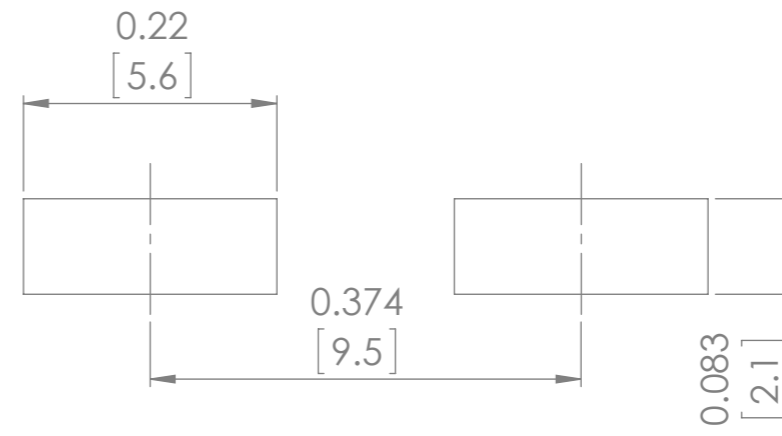



0.004[0.1] Max.
0.000[0.0]Min.
(Both sides)



Recommended Land Pattern



H: 2.5mm max for frequency 6MHz or higher
2.6mm max for frequency lower than 6MHz

UNLESS OTHERWISE SPECIFIED: DIMENSIONS ARE IN INCH(MM) SURFACE FINISH: TOLERANCES: LINEAR: ANGULAR:				FINISH:		DEBUR AND BREAK SHARP EDGES		DO NOT SCALE DRAWING		REVISION -	
DRAWN SAAZVAT				SIGNATURE		DATE		 30332 Esperanza, Rancho Santa margarita, California 92688			
CHK'D XXXXXX											
APPV'D								TITLE: CRYSTAL			
MFG								DWG NO. ABL S3			
Q.A						MATERIAL:		SCALE:6:1			
						WEIGHT: 0.26		SHEET 1 OF 1			