

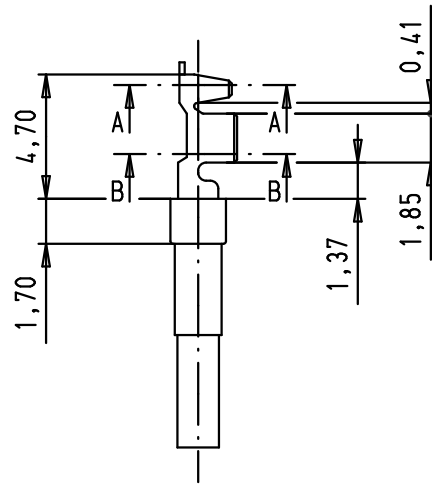
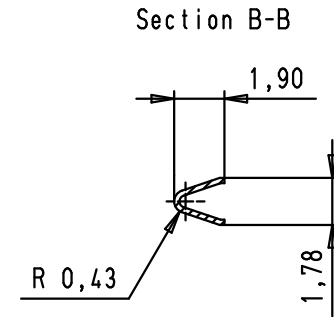
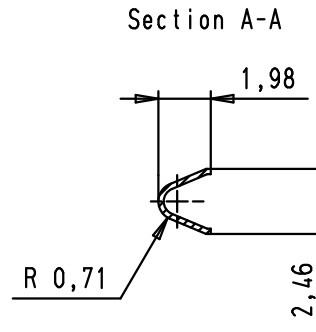
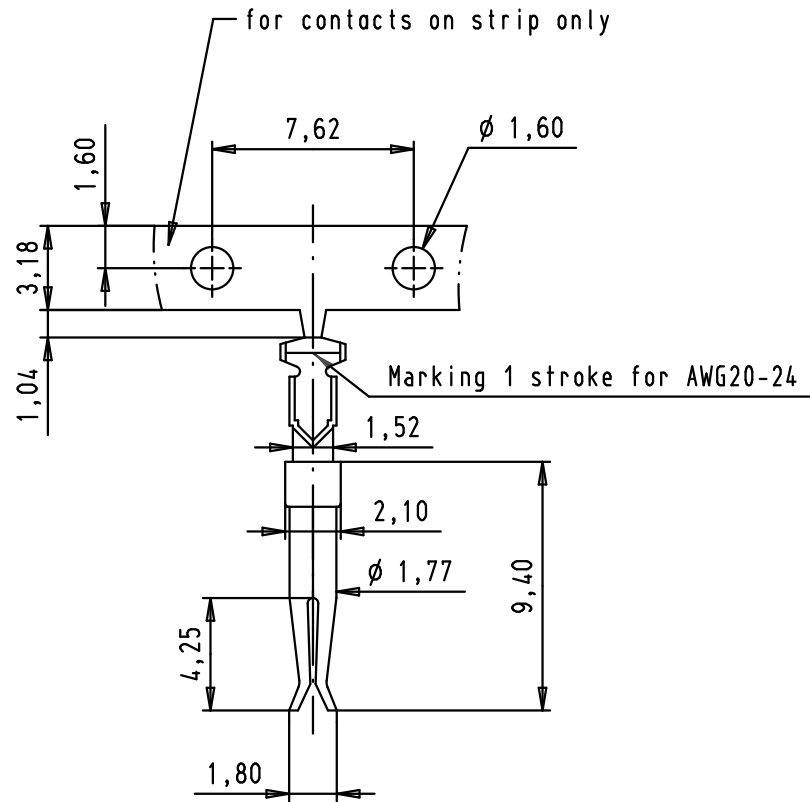
5

4

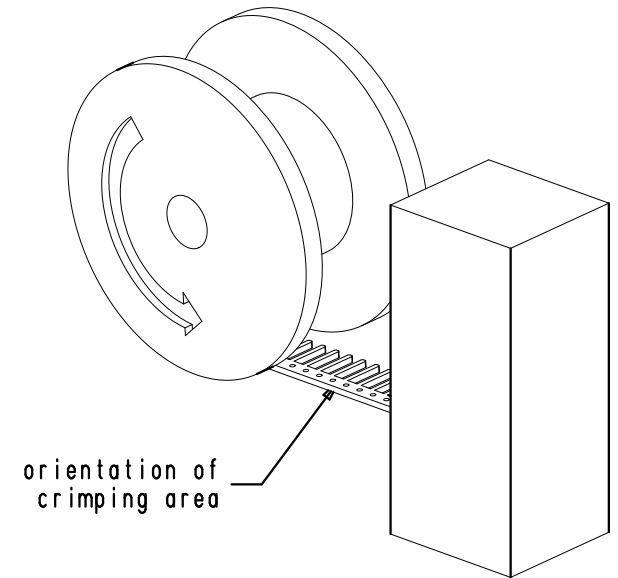
3

2

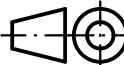

1



Reel unrolling left



Base material: brass
 Plating: sliding contact selective gold plated over nickel
 nickel plated crimp area
 Number of contacts per reel: 10000

			Det.	Name	 All Dim. in mm Orig. Size DIN A 4
			24/03/03	PP	
36288	13/01/12	SD	Insp. 13/01/12	JB	
33986	24/04/07	PK	Stand.		
33242	17/10/05	JMDR	HARTING EURL F-95972 Paris		
31476	24/03/03	PP			
Mod.	Det.	Name			

D-Sub, stamped female
 AWG 20-24 crimp contact,
 reel unrolling left

Maßstab/
 Scale
 3,5:1

09 67 000 8258	PL2
09 67 000 8257	PL3
09 67 000 8256	PL1
Part number	Performance level

TB 09 67 000 825X

Blatt/ Page
 1 / 1

Sub.