

4

3

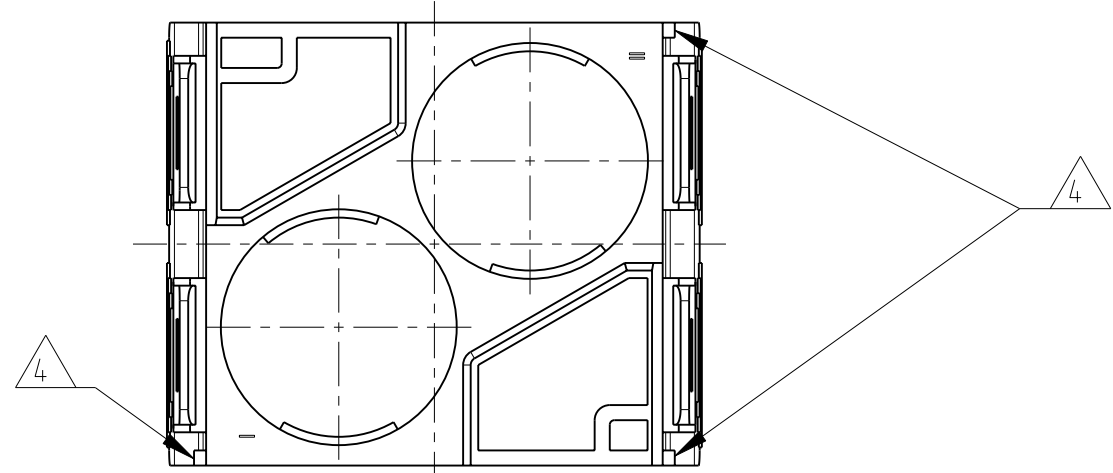
2

1

THIS DRAWING IS UNPUBLISHED. RELEASED FOR PUBLICATION 2000
 © COPYRIGHT 2000 BY TYCO ELECTRONICS CORPORATION. ALL RIGHTS RESERVED.

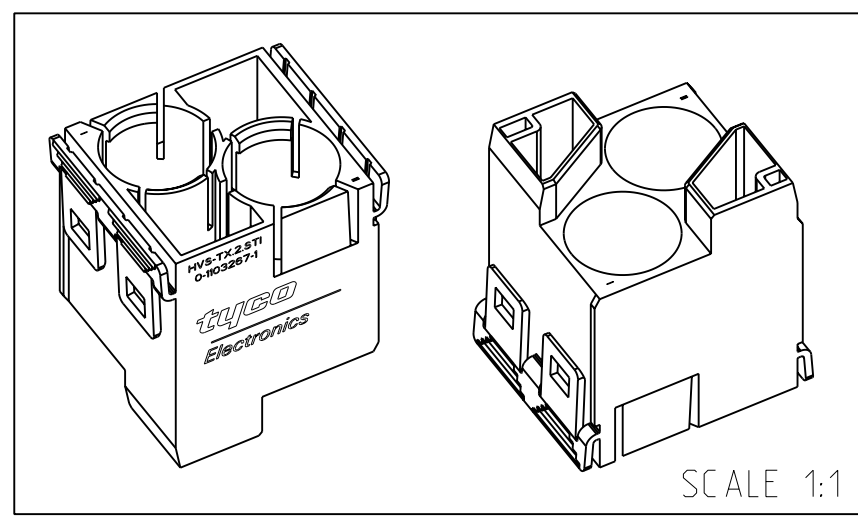
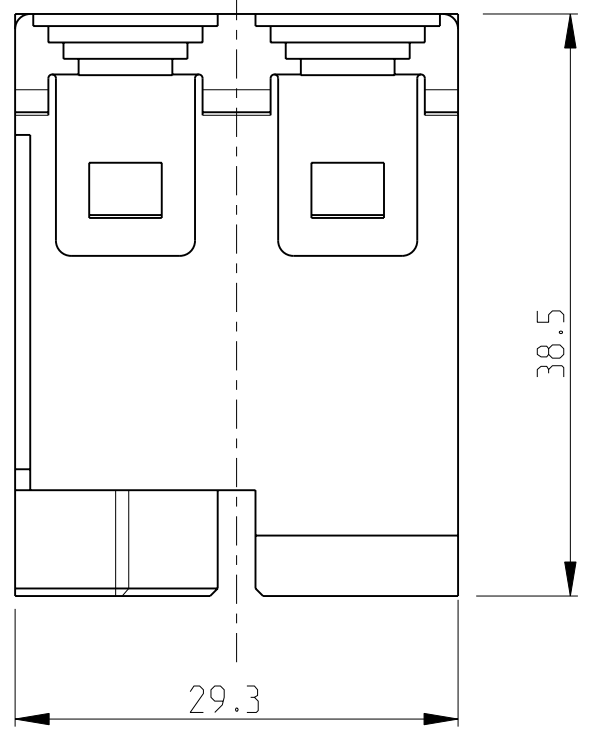
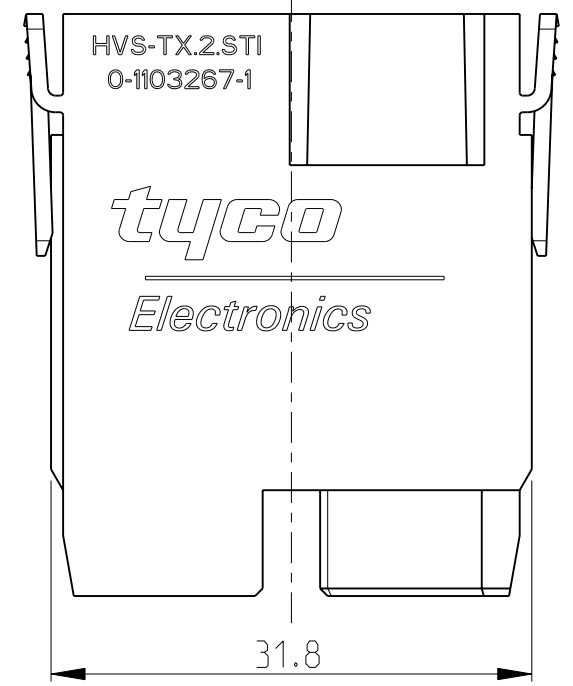
LOC	DIST	REVISIONS					
		P	LTR	DESCRIPTION	DATE	DWN	APVD
A1			B1	ECR-10-021590	25.10.2010	SR	OH

CONTACT ARRANGEMENT
VIEW FROM CONNECTING SIDE

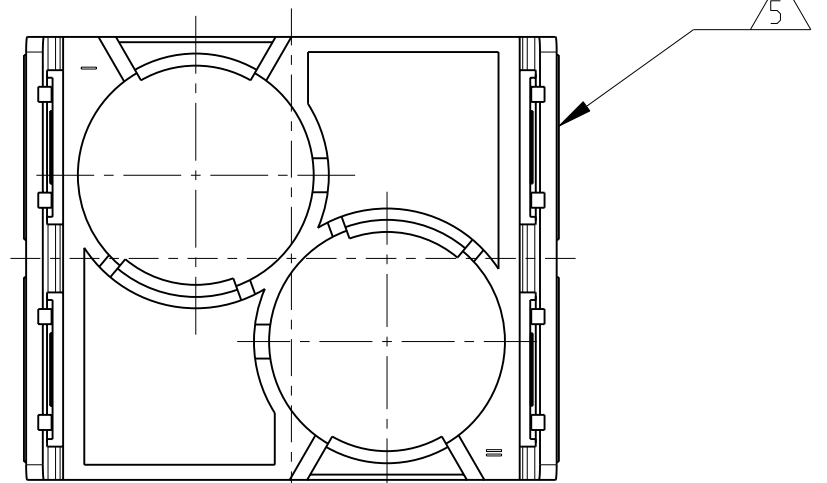


NOTES

- 1 SUITABLE CRIMP CONTACTS: SERIES TX CATALOG:889745
- 2 SUITABLE MODULE FIXING FRAME: SERIES HVS SIZE 3 TO 8 CUSTOMER DRAWING: 1103250
- 3 STANDARDS: DIN EN 61984; DIN EN 60664-1
- 4 POLARIZATION RIBS
- 5 MARKING OF POLARIZATION ACCORDING TO MARKING OF MODULE FRAME
- 6 PACKAGING: 10 PIECES IN A CARTON



CONTACT ARRANGEMENT
VIEW FROM TERMINATION SIDE



PN 0-1 AS SHOWN

(B1) (7) (8)

1	MALE INSERT	PC-GF20	LIGHT GREY	1
QTY	DESCRIPTION	MATERIAL	COLOR	ITEM NO
	HVS-TX.2.STI			

THIS DRAWING IS A CONTROLLED DOCUMENT FOR TYCO ELECTRONICS CORPORATION IT IS SUBJECT TO CHANGE AND THE CONTROLLING ENGINEERING ORGANIZATION SHOULD BE CONTACTED FOR THE LATEST REVISION.

DIMENSIONS: mm	TOLERANCES UNLESS OTHERWISE SPECIFIED: ISO 8075 DIN ISO 2768 mH-E DIN 16901-120
	0 PLC ± 1 PLC ± 2 PLC ± 3 PLC ± 4 PLC ± ANGLES ±
MATERIAL (7)	FINISH (8)

DWN SCHNEIDER 20.02.2006	Tyco Electronics AMP GmbH 53757 Sankt Augustin, Germany
CHK A.GAST 20.02.2006	
APVD T.SCHNURPFEL 20.02.2006	
PRODUCT SPEC 108-74080	NAME MALE INSERT HVS-TX.2.STI
APPLICATION SPEC 114-74082	SIZE A3
WEIGHT	CAGE CODE 00779
CUSTOMER DRAWING	DRAWING NO C-1103267
	RESTRICTED TO
	SCALE 5:1
	SHEET 1 OF 1
	REV B1