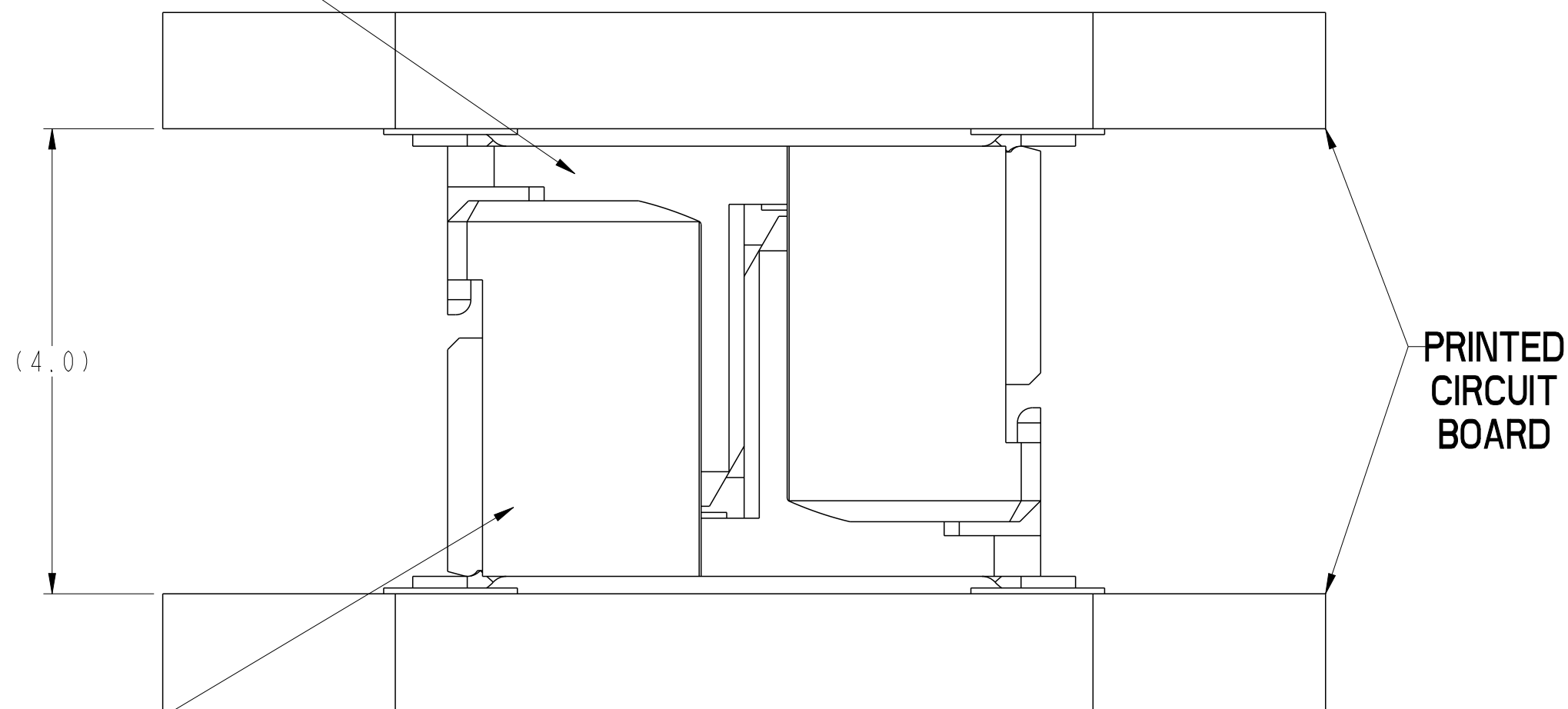
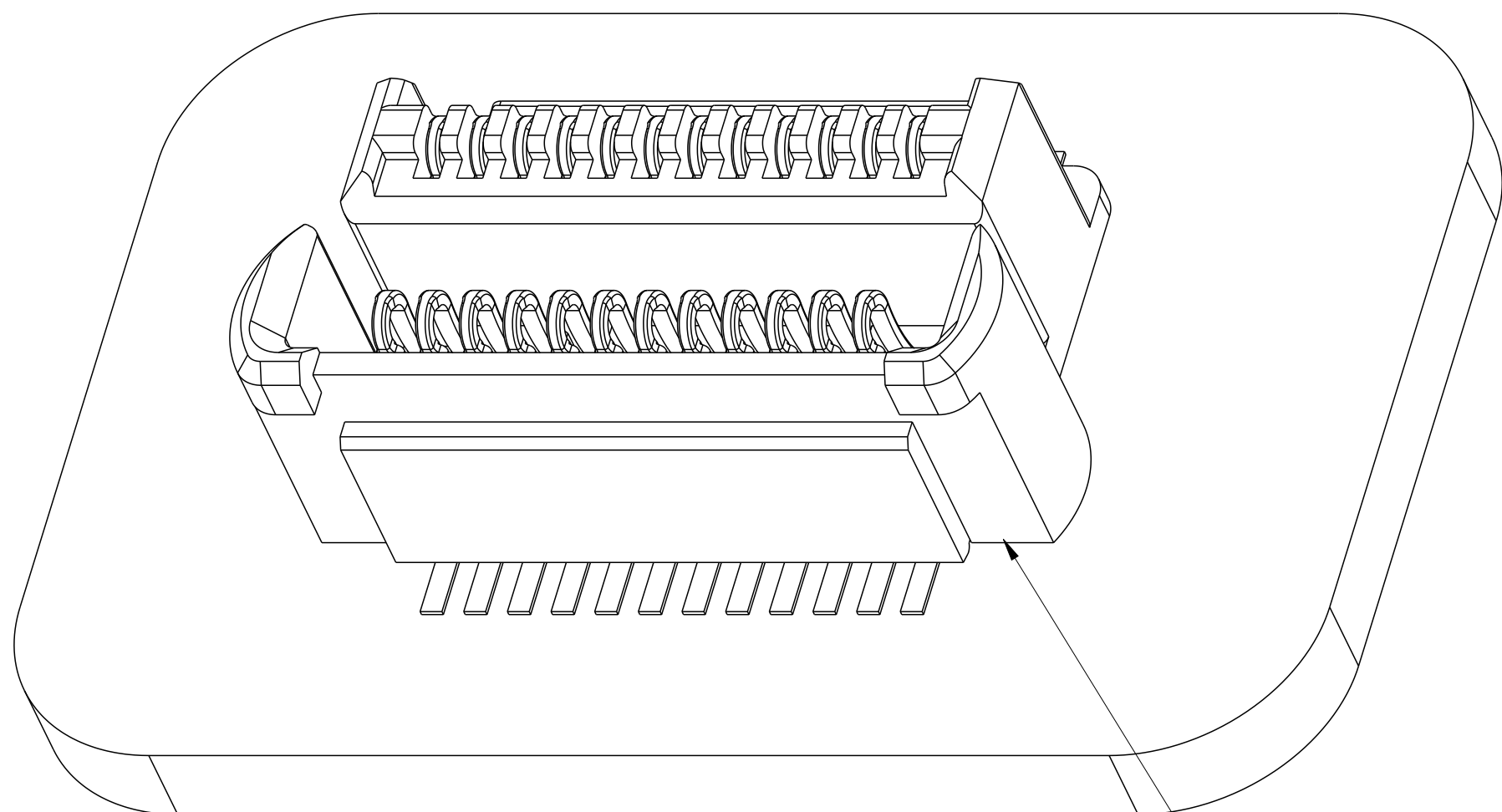
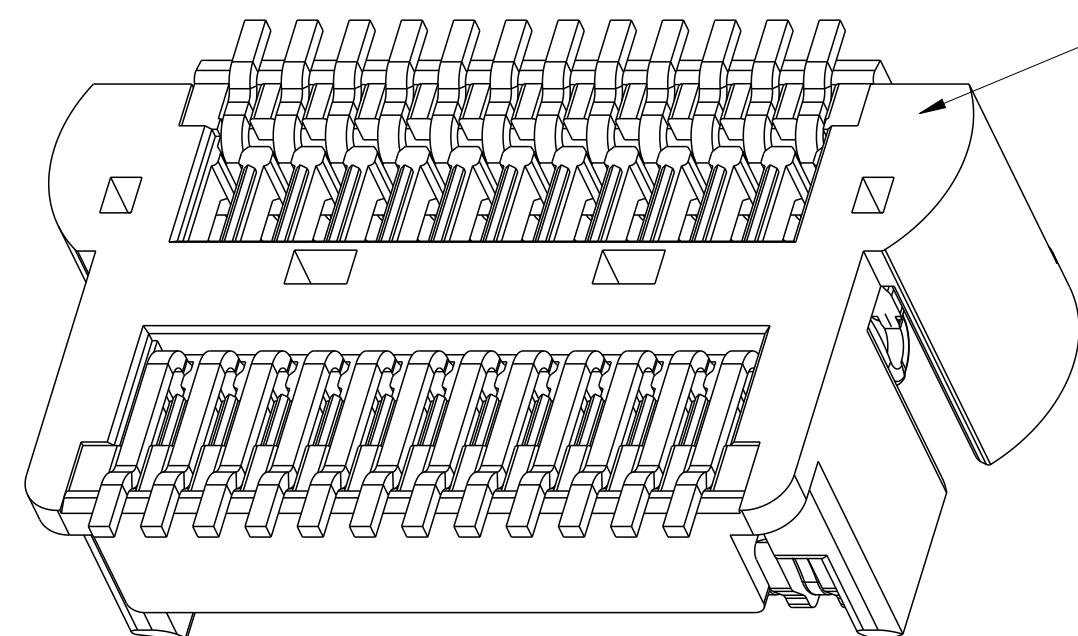


PRODUCT NUMBER

10115130-001LF

10115130-001LF
HERMAPHRODITIC CONNECTOR
ASSEMBLY



10115130-001LF
HERMAPHRODITIC CONNECTOR
ASSEMBLY



Copyright FCI.

spec ref	---	dr	Stu Stoner	2011/03/09	projection	mm	size	A2	scale	11:1	
tolerance std	ASME Y14.5	eng	Sandar Soe	2016/01/28		mm	ecn no	ELX-DG-23104-1	rel level	Released	
TOLERANCES UNLESS OTHERWISE SPECIFIED		chr	-	app							Pei-Ming Zheng
surface	✓	linear	0.X	±0.3		title HERMAPHRODITIC CONNECTOR, SPECIAL 24 POS, 0.5MM CTR, 4MM STACK HT	dwg no 10115130	rev G	Product - Customer Drw		
		angular	0°	±2°					cat. no.	-	sheet 1 of 9
									www.fci.com		

PDS: Rev :G

STATUS:Released

Printed: Feb 05, 2016

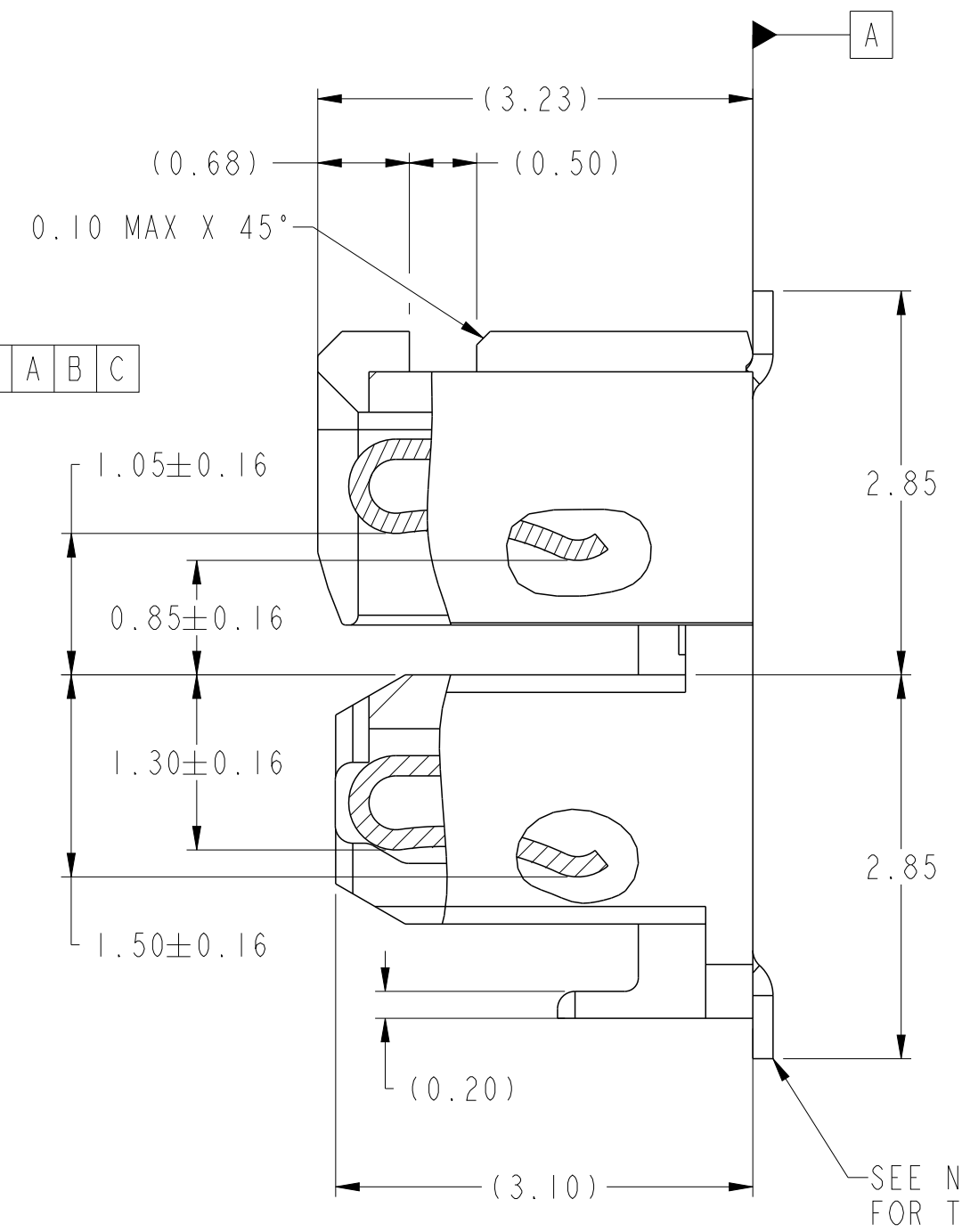
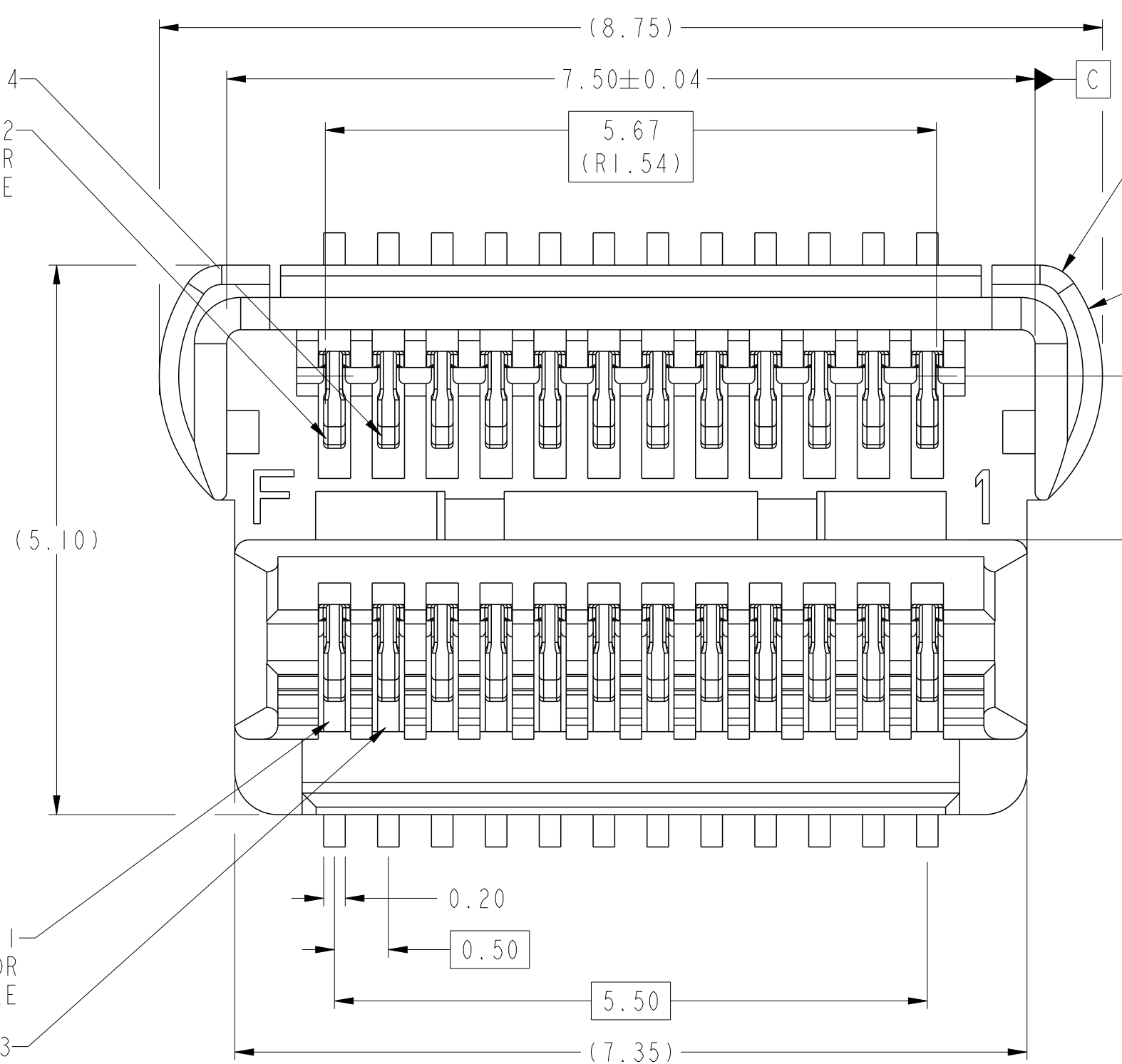
PRODUCT NUMBER
10115130-001LF

HERMAPHRODITIC CONNECTOR MATING

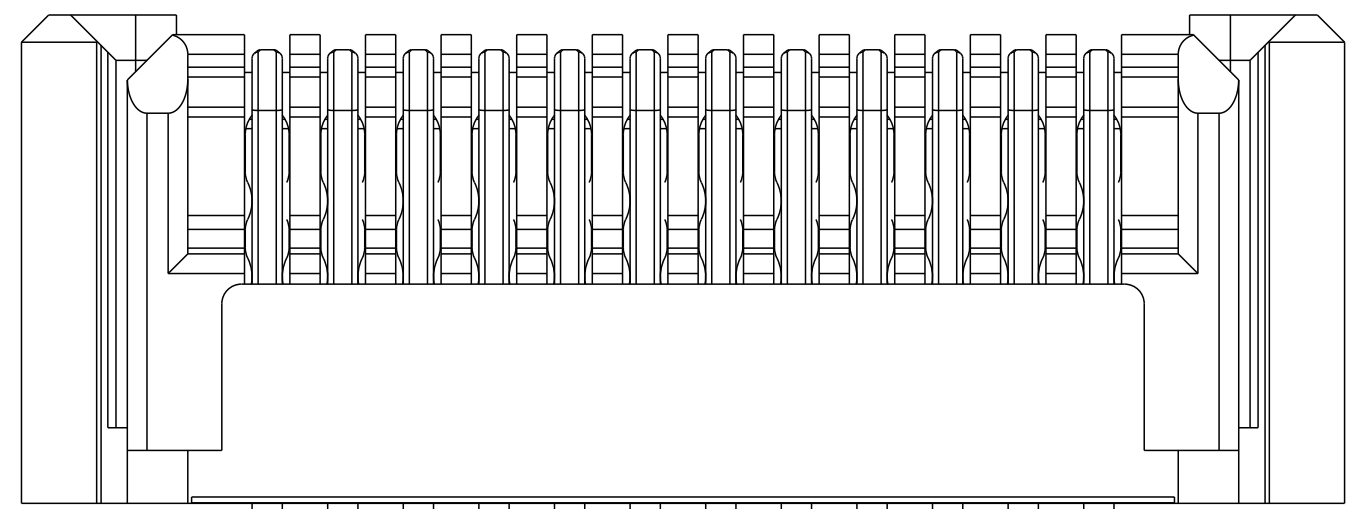
CONNECTOR POSITION	MATES WITH CONNECTOR POSITION
1	2
3	4
5	6
7	8
9	10
11	12
13	14
15	16
17	18
19	20
21	22
23	24

POSITION 4
POSITION 2
SEE CONNECTOR MATING TABLE

POSITION 1
POSITION 3
SEE CONNECTOR MATING TABLE



SEE NOTE 8 FOR TOE HEIGHT LIMITS



10115130-001LF SHOWN WITHOUT STANDARD PICK-UP CAP

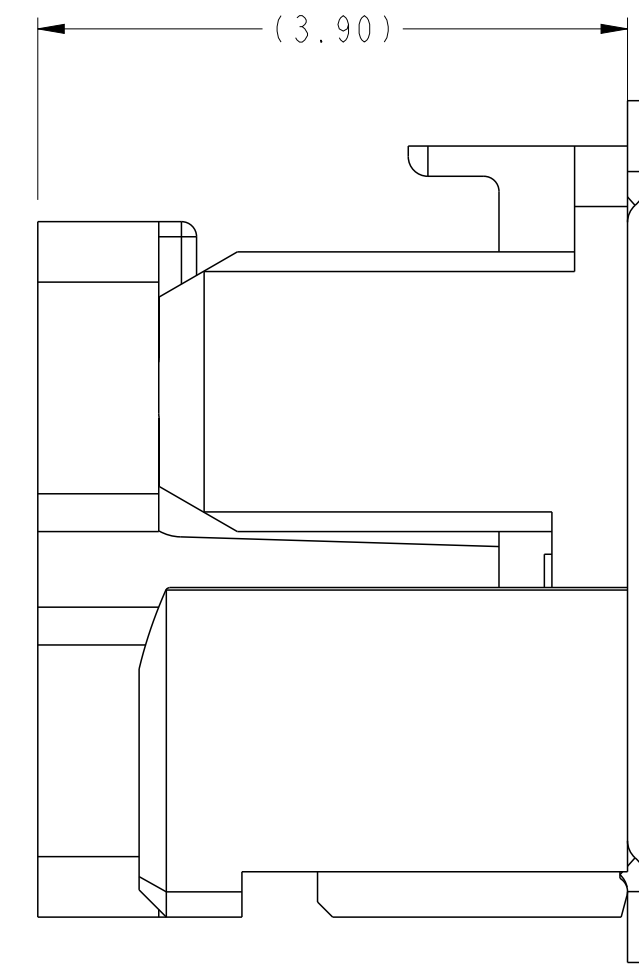
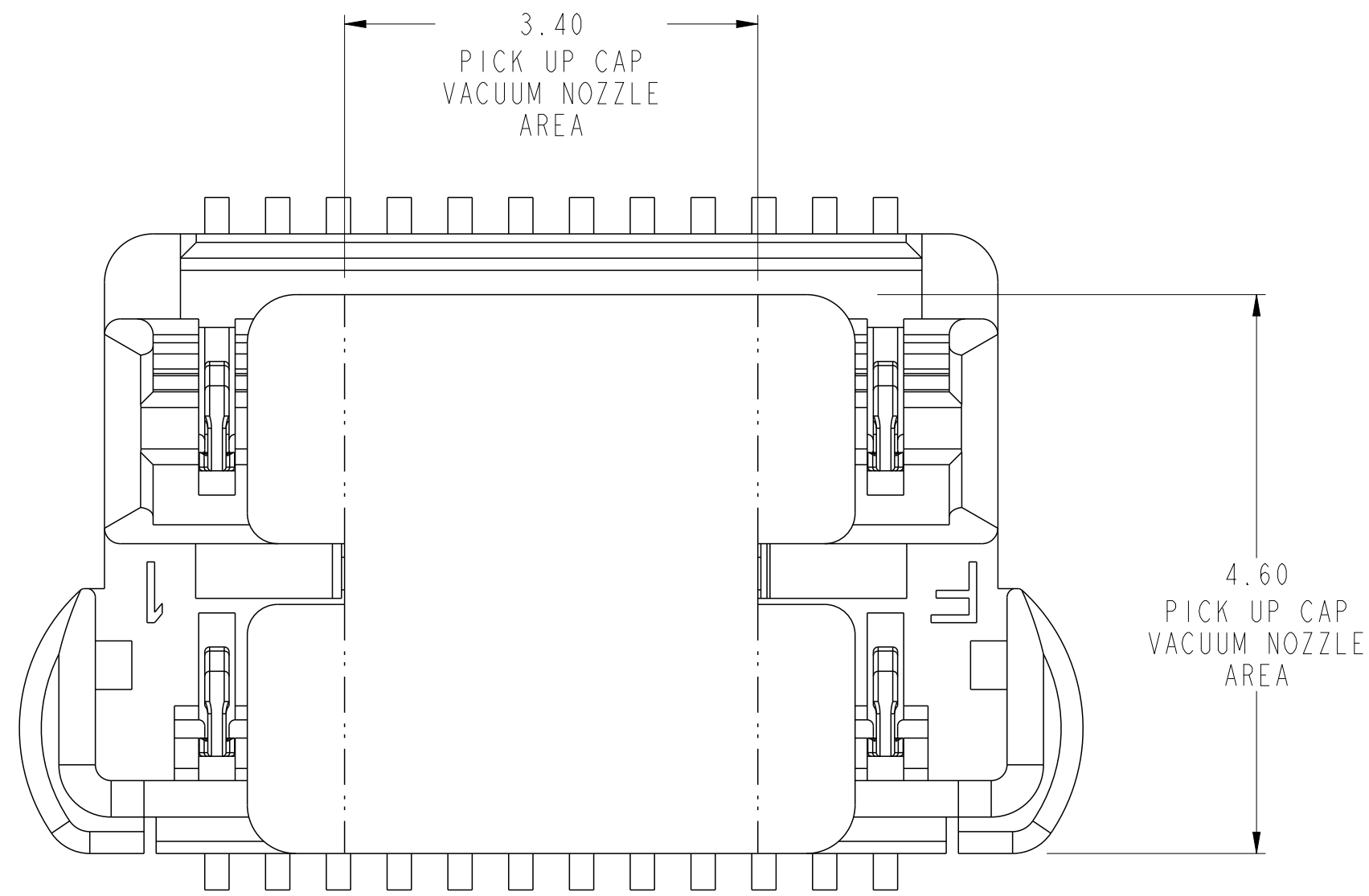
Copyright FCI. FCI

spec ref	---	dr	Stu Stoner	2011/03/09	projection	mm	size	A2	scale	20:1
tolerance std	ASME Y14.5	eng	Sandar Soe	2016/01/28	chr	-	ecn no	ELX-DG-23104-1	rel level	Released
surface	✓	appr	Pei-Ming Zheng	2016/02/04	product family	MezzoStak	cat. no.	10115130	rev	G
ASME Y14.5	TOLERANCES UNLESS OTHERWISE SPECIFIED	linear	0.X	±0.3	angular	0°	±2°	Product - Customer Drw	sheet 2 of 9	

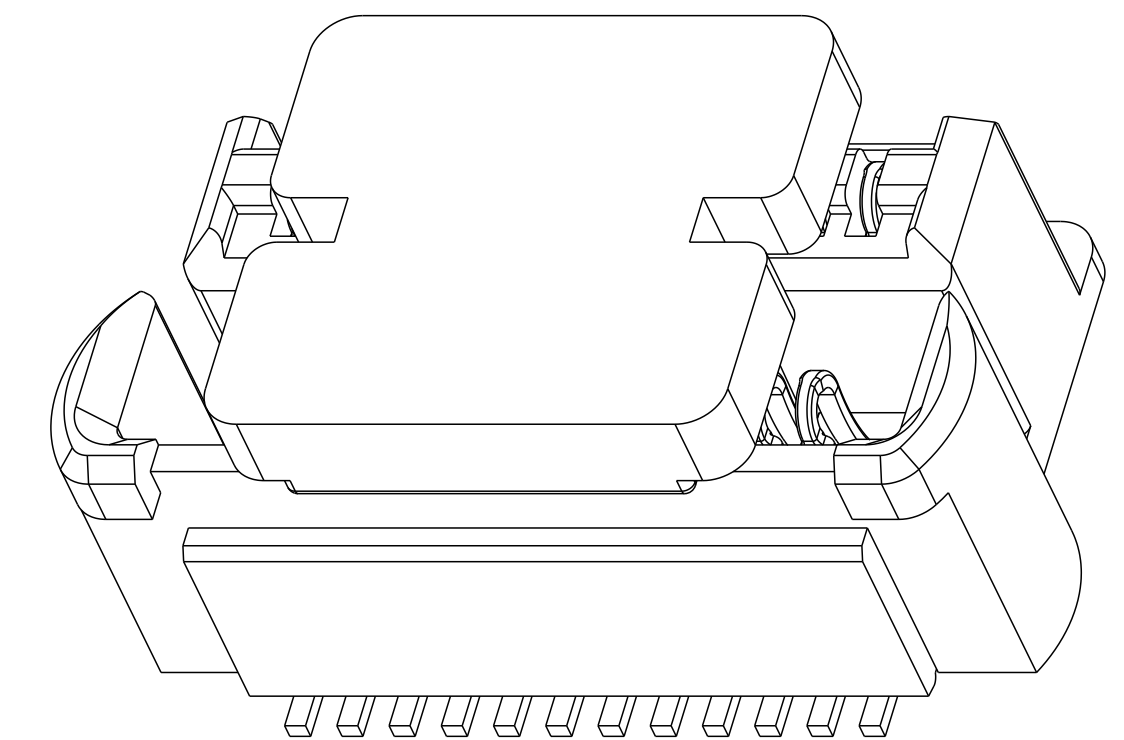
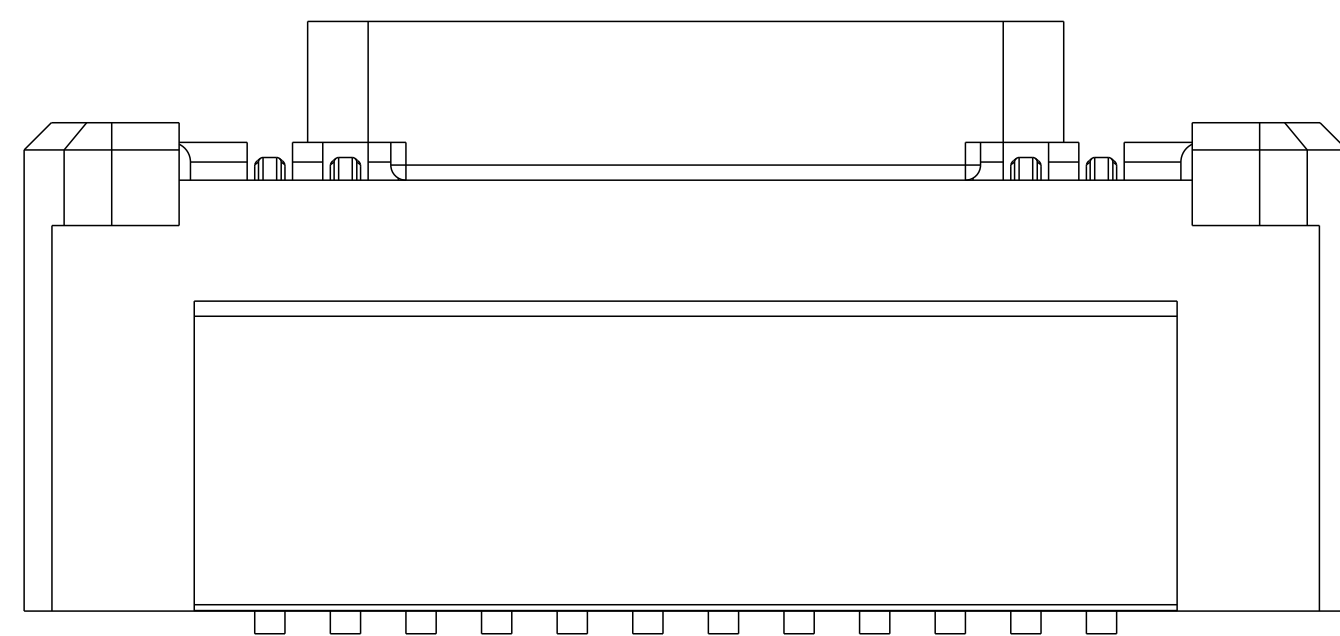
PDS: Rev :G

STATUS:Released

Printed: Feb 05, 2016



10115130-001LF SHOWN
WITH STANDARD PICK-UP CAP

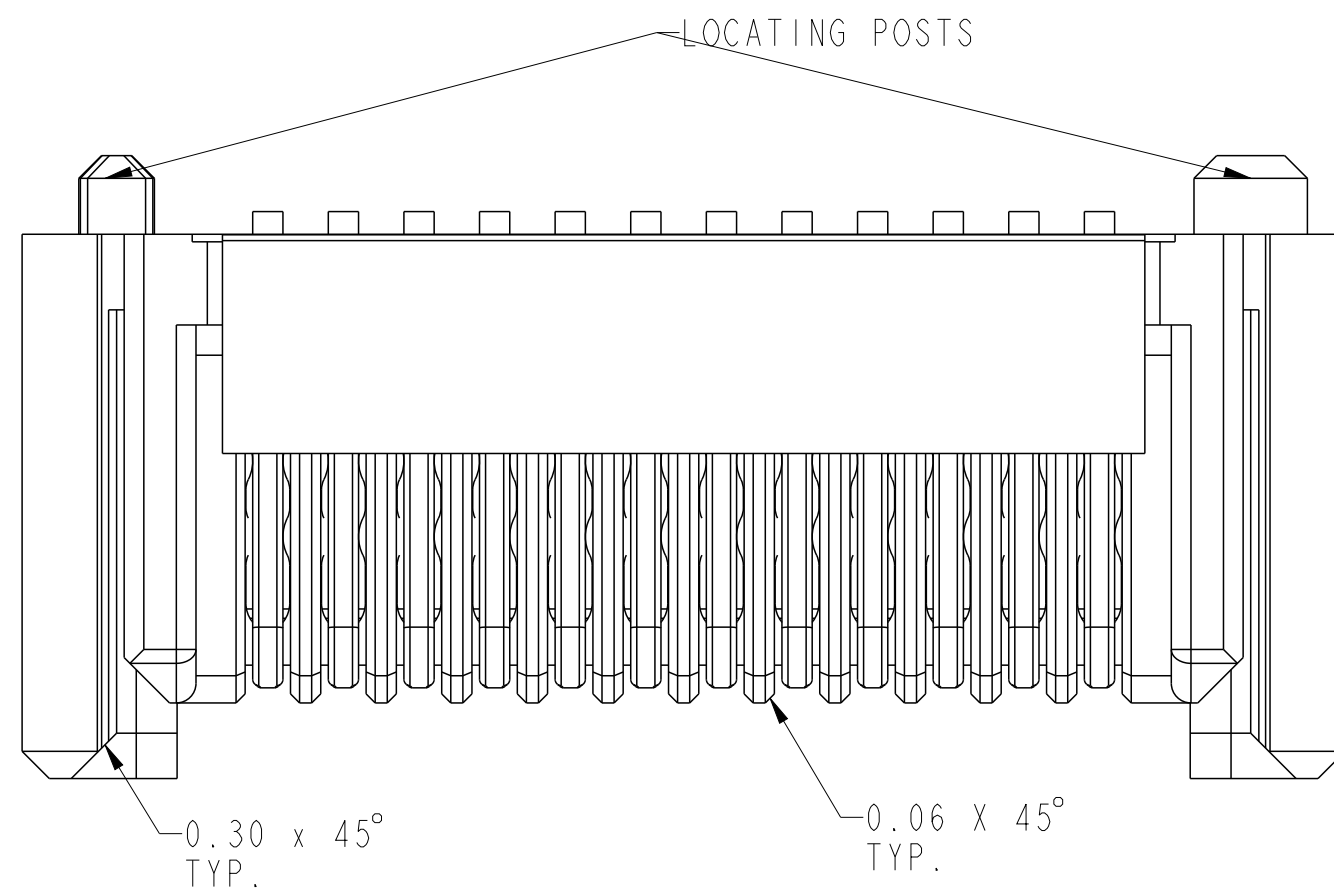
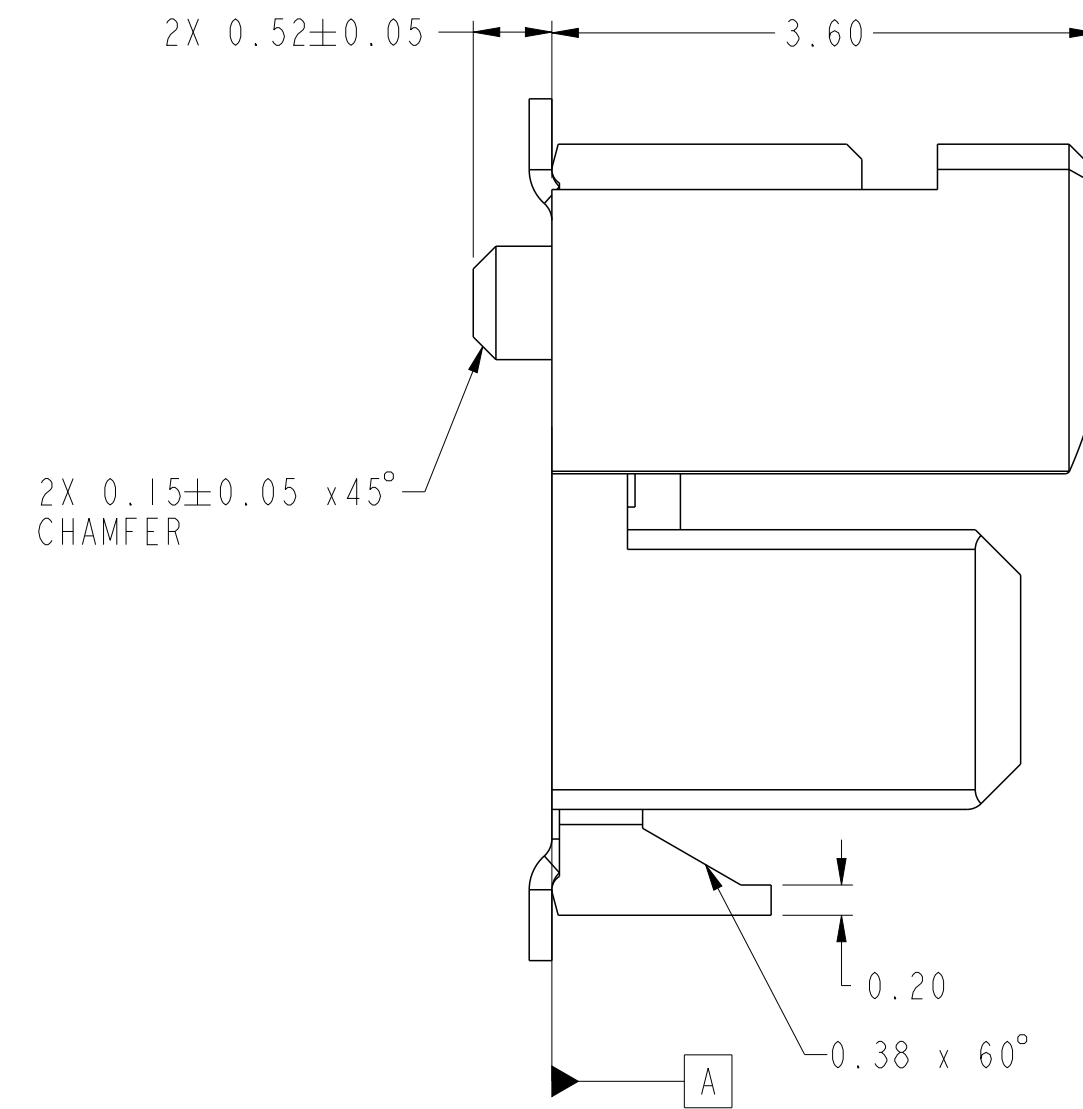
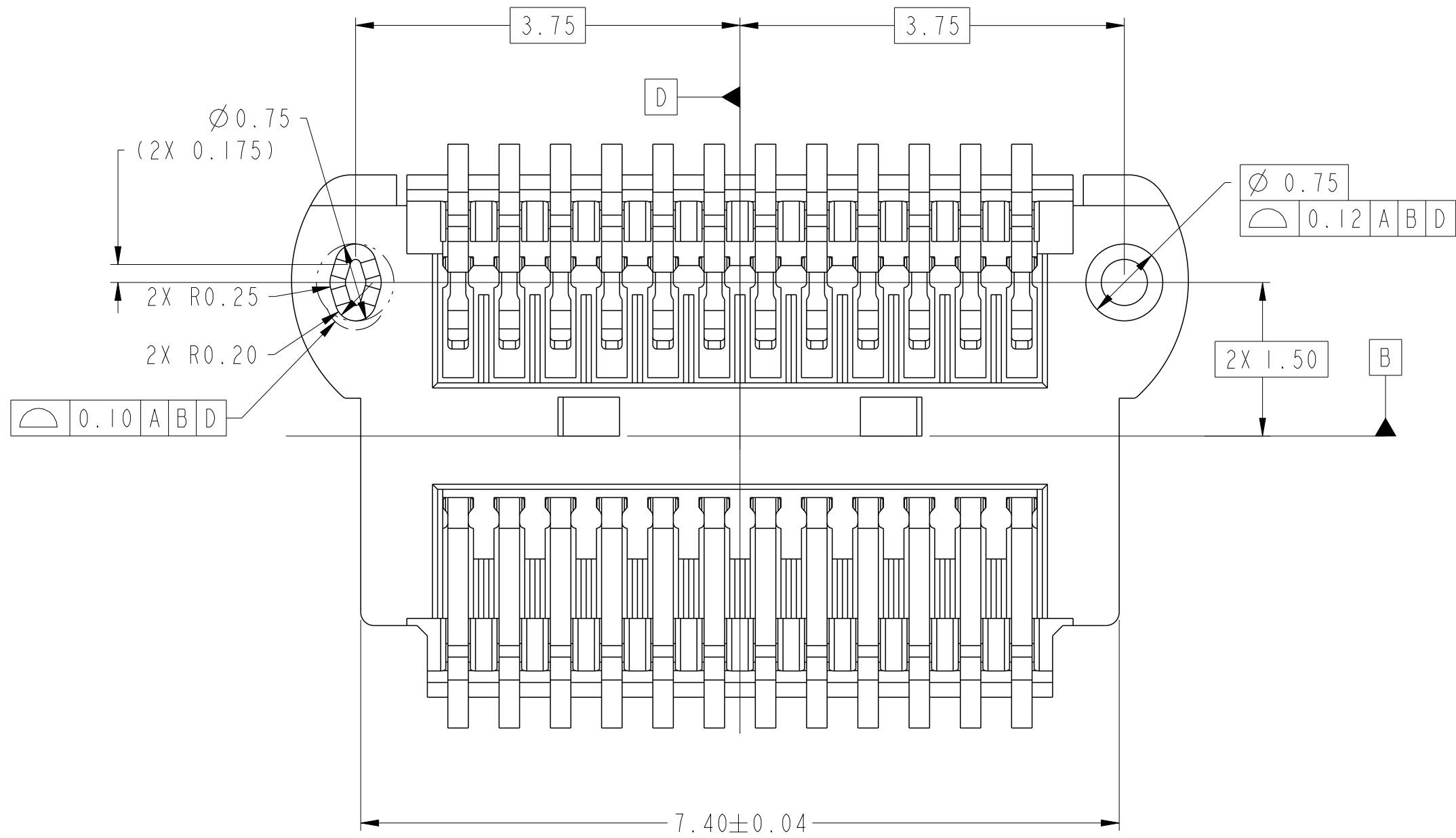


spec ref	---	dr	Stu Stoner	2011/03/09	projection	mm	size	A2	scale	20:1
tolerance std	ASME Y14.5	eng	Sandar Soe	2016/01/28		mm	ecn no	ELX-DG-23104-1		
TOLERANCES UNLESS OTHERWISE SPECIFIED		chr	-	appr			Pei-Ming Zheng	2016/02/04	product family	MezzoStak
surface		linear	0.X	±0.3		title HERMAPHRODITIC CONNECTOR, SPECIAL 24 POS, 0.5MM CTR, 4MM STACK HT	dwg no 10115130	rev G	ASME Y14.5	
			0.XX	±0.10					www.fci.com	
			0.XXX	±0.05					cat. no. -	
		angular	0°	±2°	Product - Customer Drw		sheet 3 of 9			



Copyright FCI.

PRODUCT NUMBER	LOCATING POSTS OPTION
10115130-003LF	WITH LOCATING POSTS
10115130-004LF	WITHOUT LOCATING POSTS

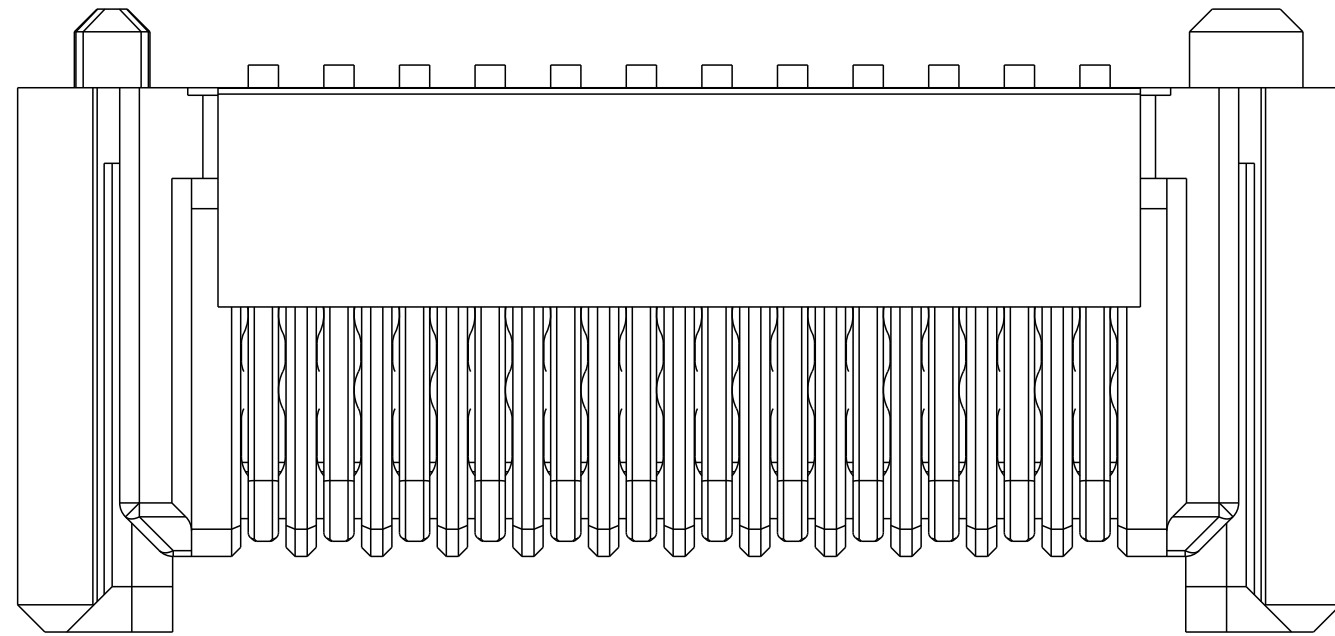


10115130-003LF DIMENSIONS ARE SHOWN
THE OTHER DIMENSIONS ARE THE SAME AS DIMENSIONS OF 10115130-001LF

10115130-004LF IS SAME AS 10115130-003LF EXCEPT WITHOUT LOCATING POSTS

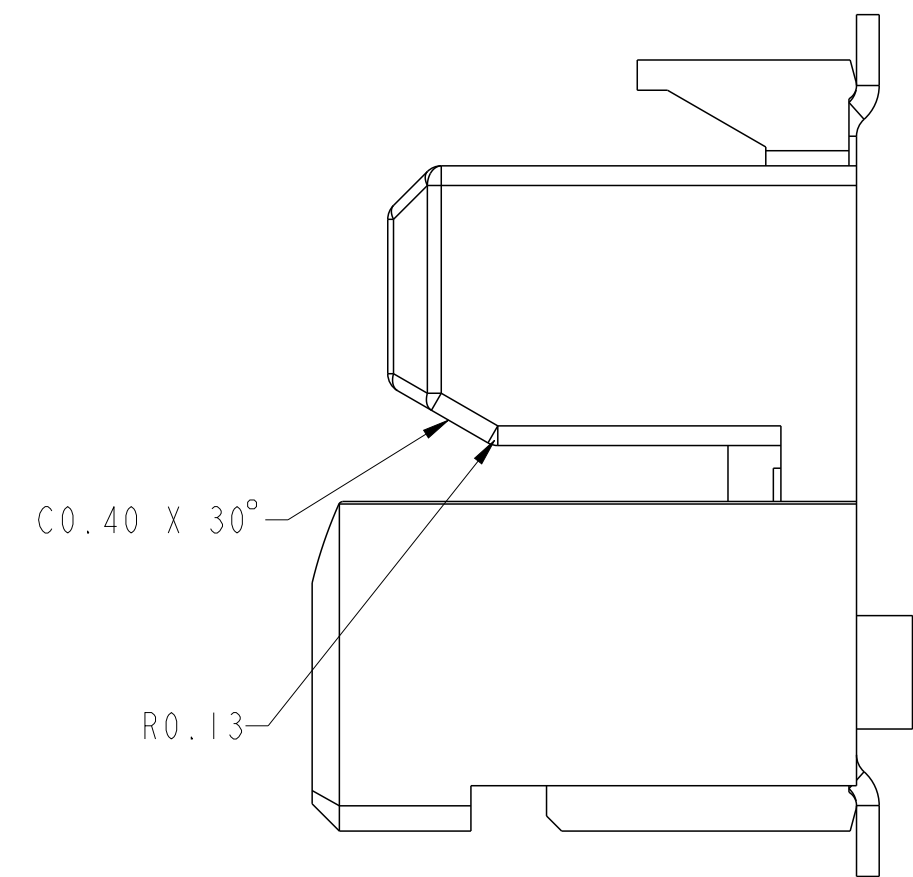
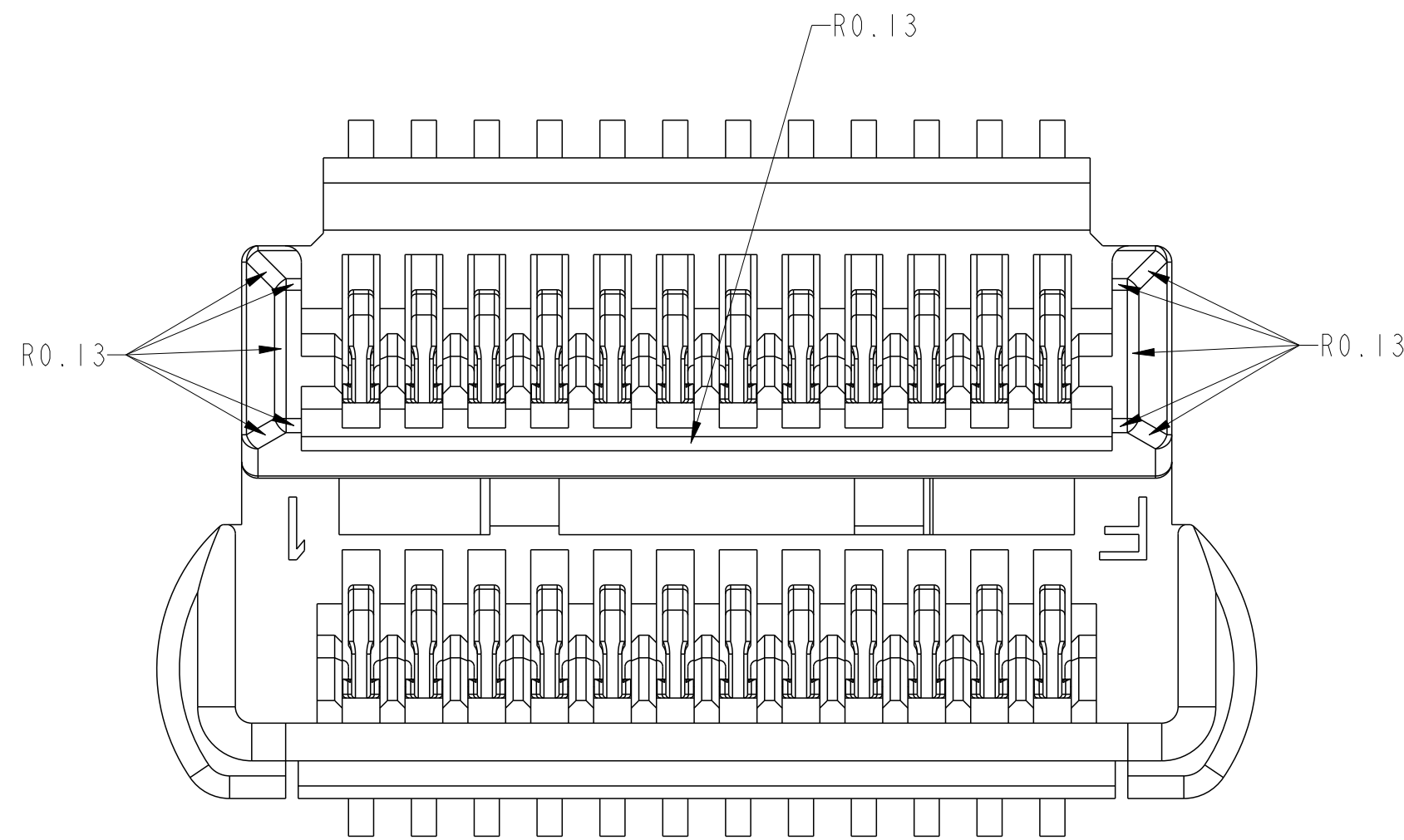
spec ref	---	dr	Stu Stoner	2011/03/09	projection	mm	size	A2	scale	20:1	
tolerance std	ASME Y14.5	eng	Sandar Soe	2016/01/28		mm	ecn no	ELX-DG-23104-1	rel level	Released	
TOLERANCES UNLESS OTHERWISE SPECIFIED		chr	-	appr							Pei-Ming Zheng
surface	✓	linear	0.X	±0.3		title HERMAPHRODITIC CONNECTOR, SPECIAL 24 POS, 0.5MM CTR, 4MM STACK HT	dwg no 10115130	rev G	Product - Customer Drw		
		angular	0°	±2°					cat. no.	-	sheet 4 of 9
									www.fci.com		

PRODUCT NUMBER	LOCATING POSTS OPTION	ROUND FILLET ON HOUSING GUIDING FEATURE
10115130-005LF	WITH LOCATING POSTS	WITH
10115130-005MLF 		
10115130-006LF	WITHOUT LOCATING POSTS	WITH
10115130-006MLF 		





10115130-005LF/-005MLF DIMENSIONS ARE SAME AS DIMENSIONS OF 10115130-003LF EXCEPT BELOW DIMENSIONS SHOWN

10115130-006LF/-006MLF DIMENSIONS ARE SAME AS DIMENSIONS OF 10115130-004LF EXCEPT BELOW DIMENSIONS SHOWN



10115130-005LF/-005MLF SHOWN WITHOUT PICK-UP CAP

spec ref	---	dr	Stu Stoner	2011/03/09	projection	mm	size	A2	scale	20:1						
tolerance std	---	eng	Sandar Soe	2016/01/28		mm	ecn no	ELX-DG-23104-1	rel level	Released						
---	TOLERANCES UNLESS OTHERWISE SPECIFIED	chr	-	appr							Pei-Ming Zheng	2016/02/04	product family	MezzoStack		
surface	✓	linear	0.X	±0.3		title	HERMAPHRODITIC CONNECTOR, SPECIAL	divg no	10115130	rev						
ASME Y14.5	0.XX	±0.10	angular	0°							±2°	www.fci.com	cat. no.	-	Product - Customer Drw	sheet 5 of 9
	0.XXX	±0.05														

PDS: Rev:G

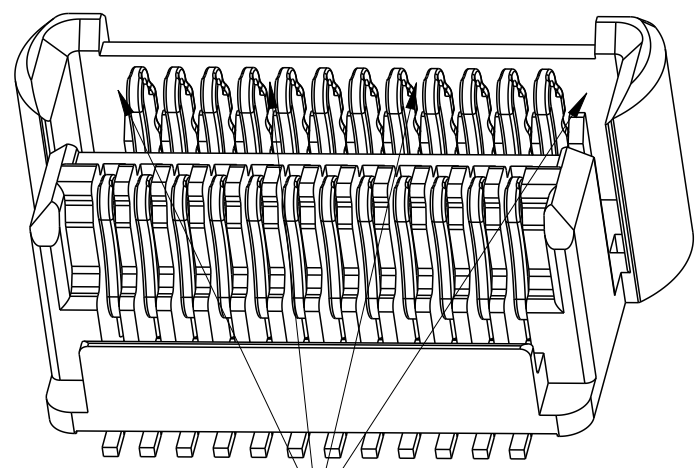
STATUS:Released

Printed: Feb 05, 2016

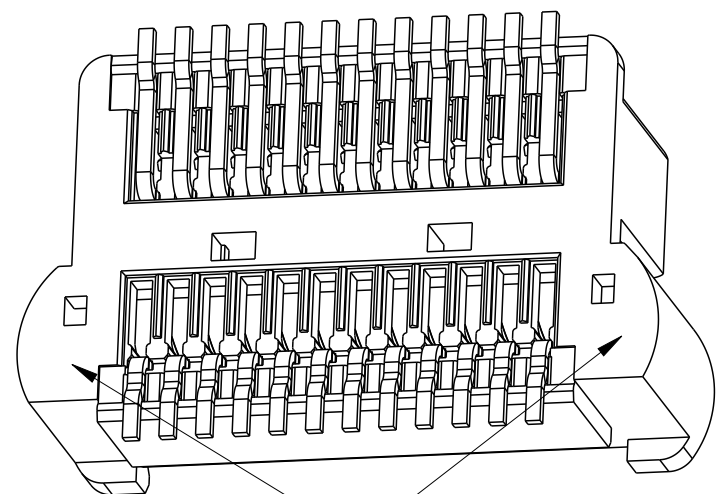


Copyright FCI.

10115130-001LF

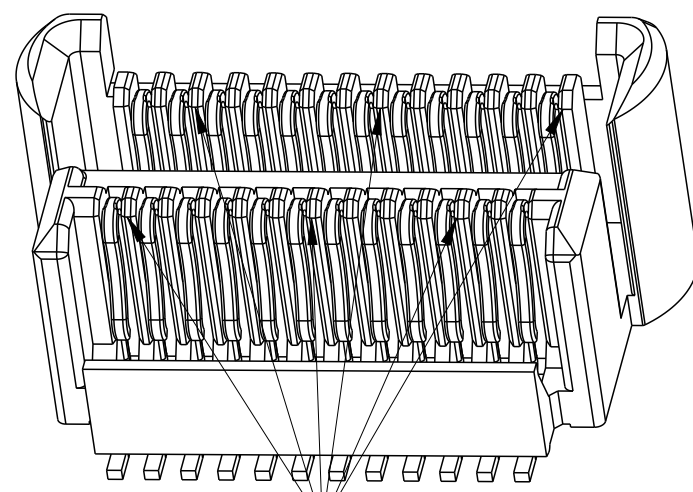


WITHOUT RIBS ON THIS WALL

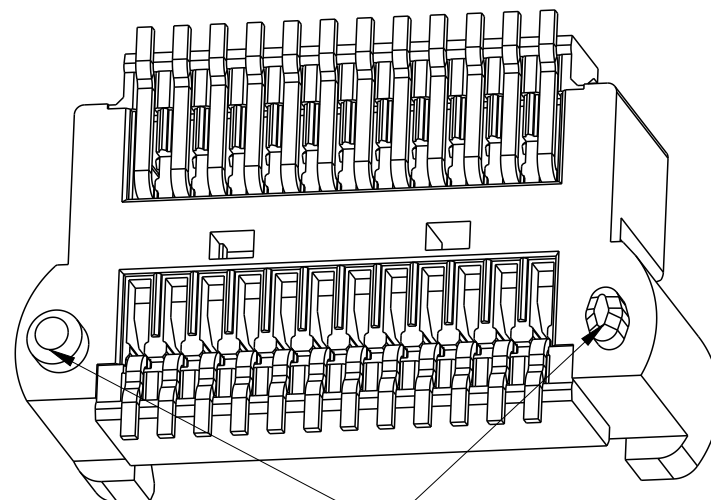


WITHOUT LOCATING POSTS

10115130-003LF

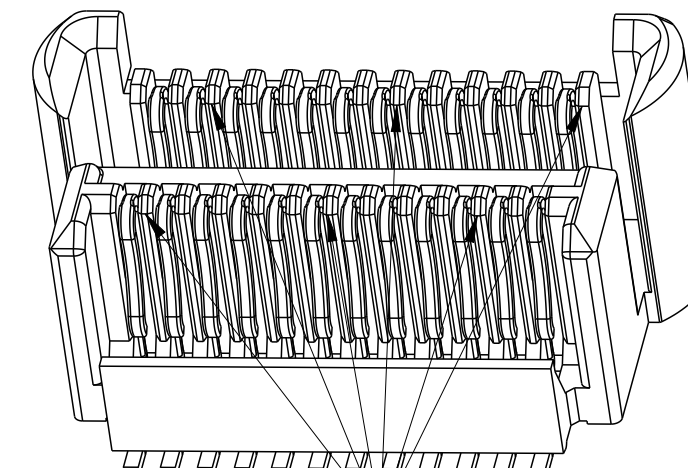


WITH DUAL ROW RIBS

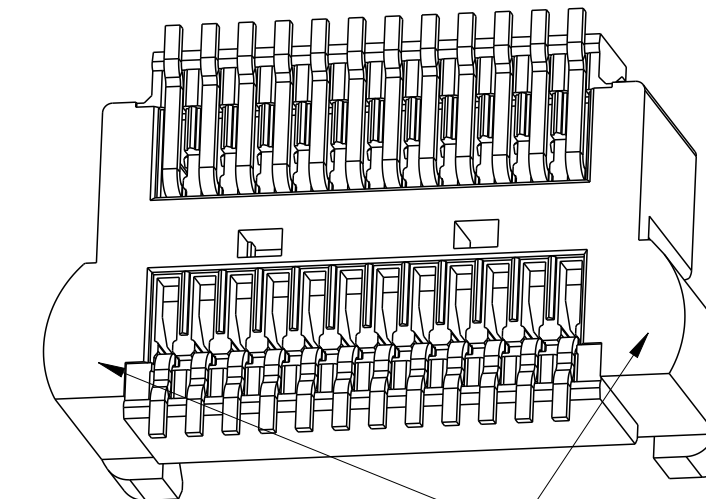


WITH LOCATING POSTS

10115130-004LF



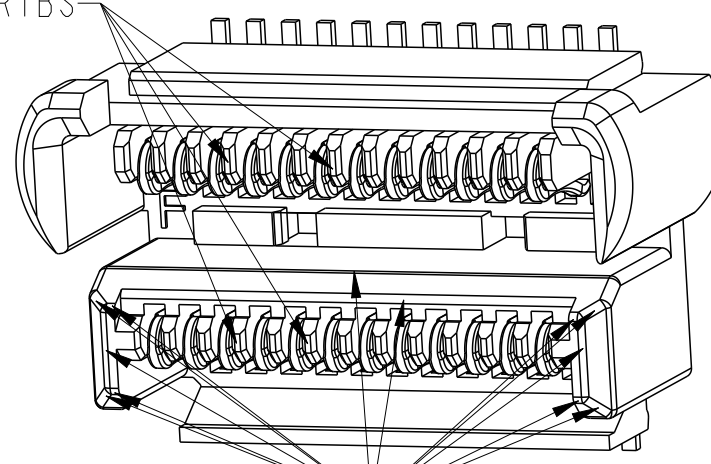
WITH DUAL ROW RIBS



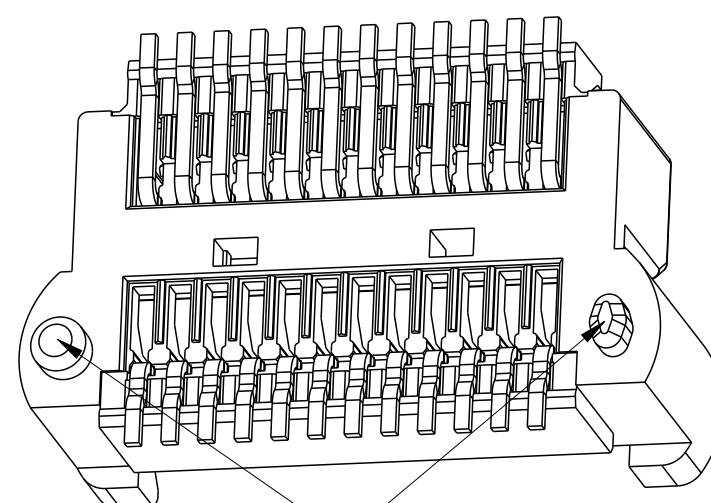
WITHOUT LOCATING POSTS

10115130-005LF / -005MLF G

WITH DUAL ROW RIBS



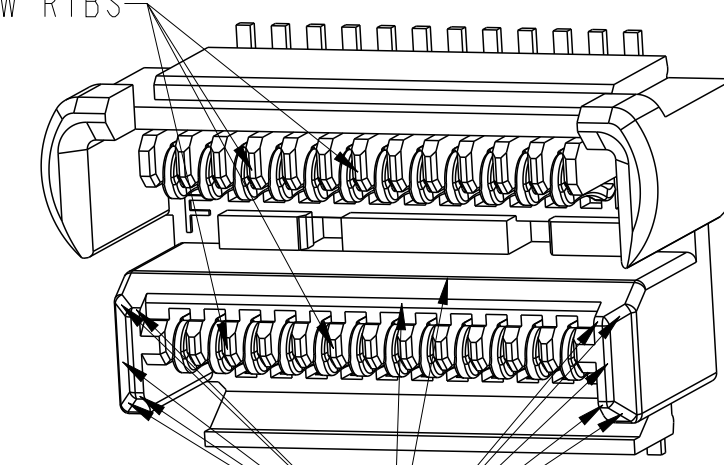
ROUND FILLET FEATURE



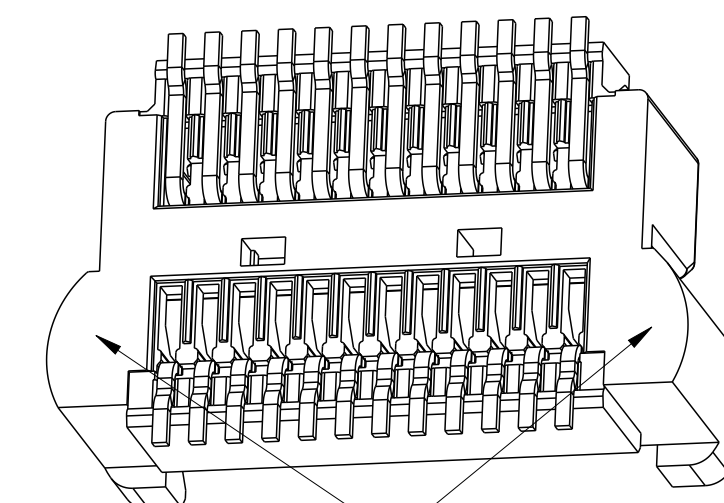
WITH LOCATING POSTS

10115130-006LF / -006MLF G

WITH DUAL ROW RIBS

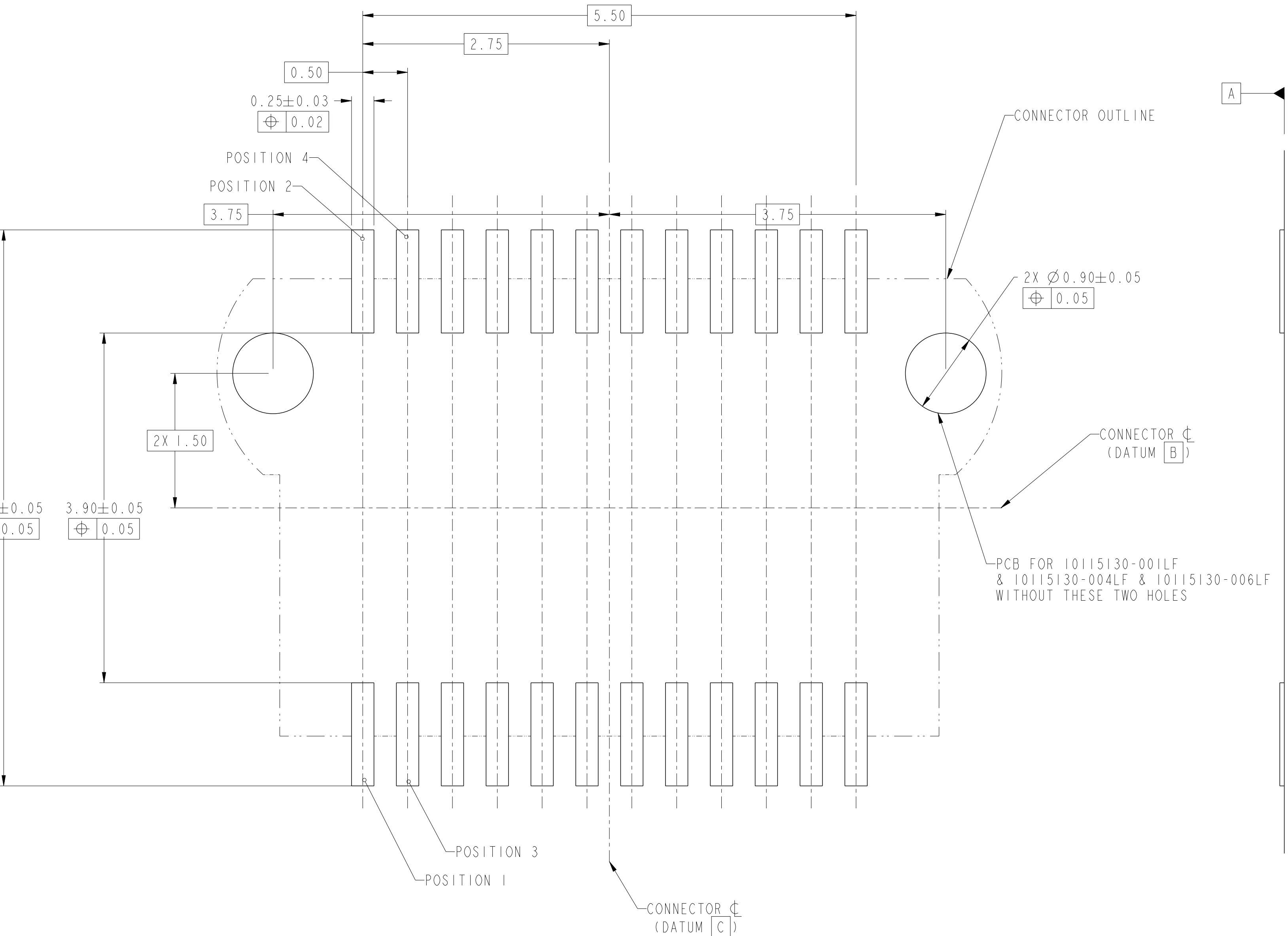


ROUND FILLET FEATURE



WITHOUT LOCATING POSTS

spec ref	---	dr	Stu Stoner	2011/03/09	projection	mm	size	A2	scale	1:1
tolerance std	ASME Y14.5	eng	Sandar Soe	2016/01/28		mm	ecn no	ELX-DG-23104-1		
TOLERANCES UNLESS OTHERWISE SPECIFIED		chr	-	rel level				Released		
surface	✓	appr	Pei-Ming Zheng	2016/02/04	product family	MezzoStack	rel level	Released		
ASME Y14.5	linear	0.X	±0.3		title HERMAPHRODITIC CONNECTOR, SPECIAL 24 POS, 0.5MM CTR, 4MM STACK HT	dwg no 10115130	rev G	sheet 6 of 9		
		0.XX	±0.10					cat. no.	Product - Customer Drw	
	angular	0°	±2°							



RECOMMENDED PCB LAYOUT
SEE NOTE 9 FOR STENCIL CREATION GUIDELINES

spec ref	---	dr	Stu Stoner	2011/03/09	projection	mm	size	A2	scale	10:1			
tolerance std	ASME Y14.5	eng	Sandar Soe	2016/01/28			ecn no	ELX-DG-23104-1	rel level	Released			
TOLERANCES UNLESS OTHERWISE SPECIFIED		chr	-	product family			MezzoStack						
surface	✓	appr	Pei-Ming Zheng	2016/02/04			rel level	Released					
ASME Y14.5	linear	0.X	±0.3		HERMAPHRODITIC CONNECTOR, SPECIAL 24 POS, 0.5MM CTR, 4MM STACK HT	cat. no. -	Product - Customer Drw	sheet 7 of 9	divg no	10115130	rev	G	
		0.XX	±0.10										
		0.XXX	±0.05										
	angular	0°	±2°	www.fci.com									

PDS: Rev :G

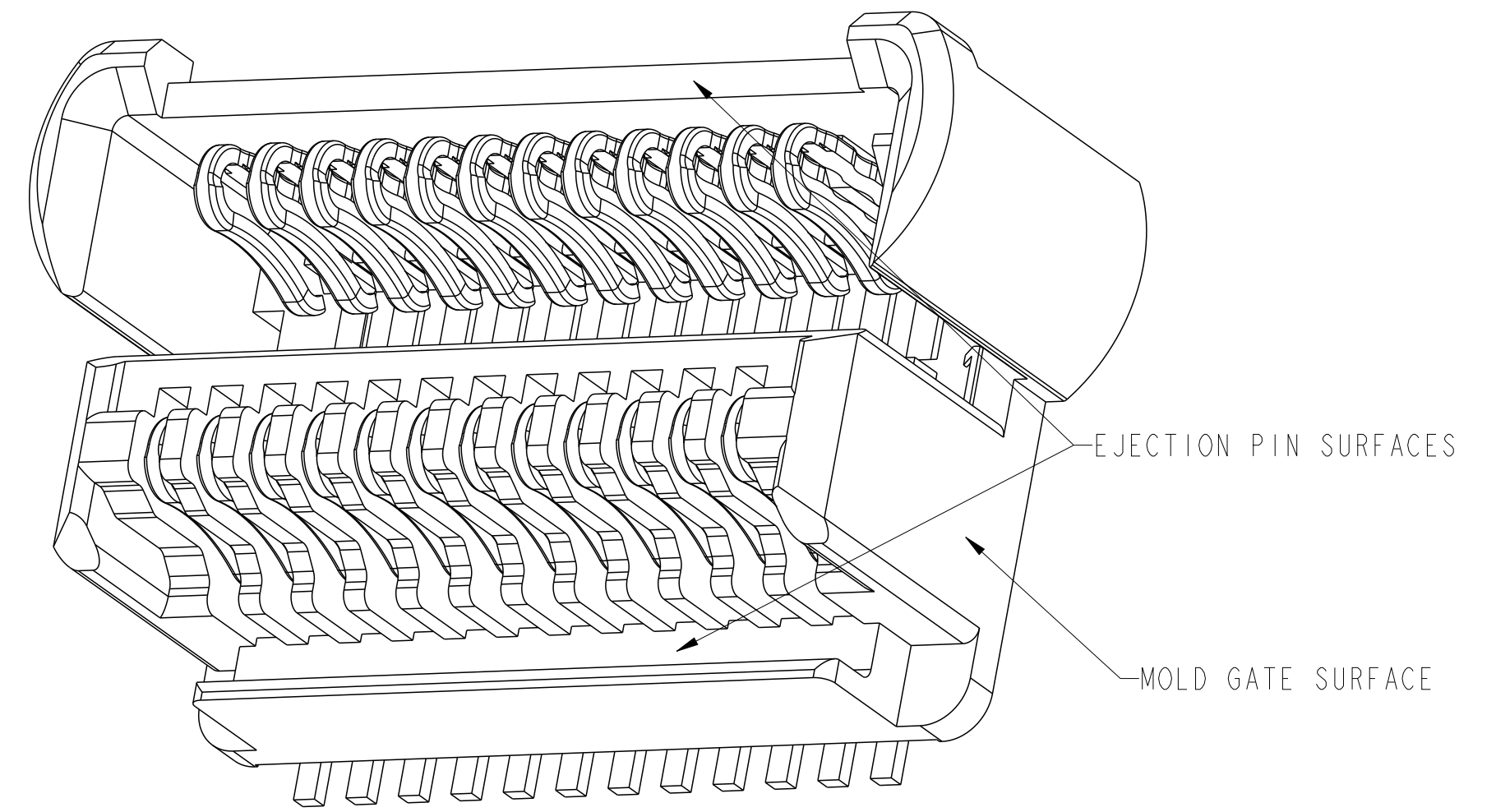
STATUS:Released

Printed: Feb 05, 2016

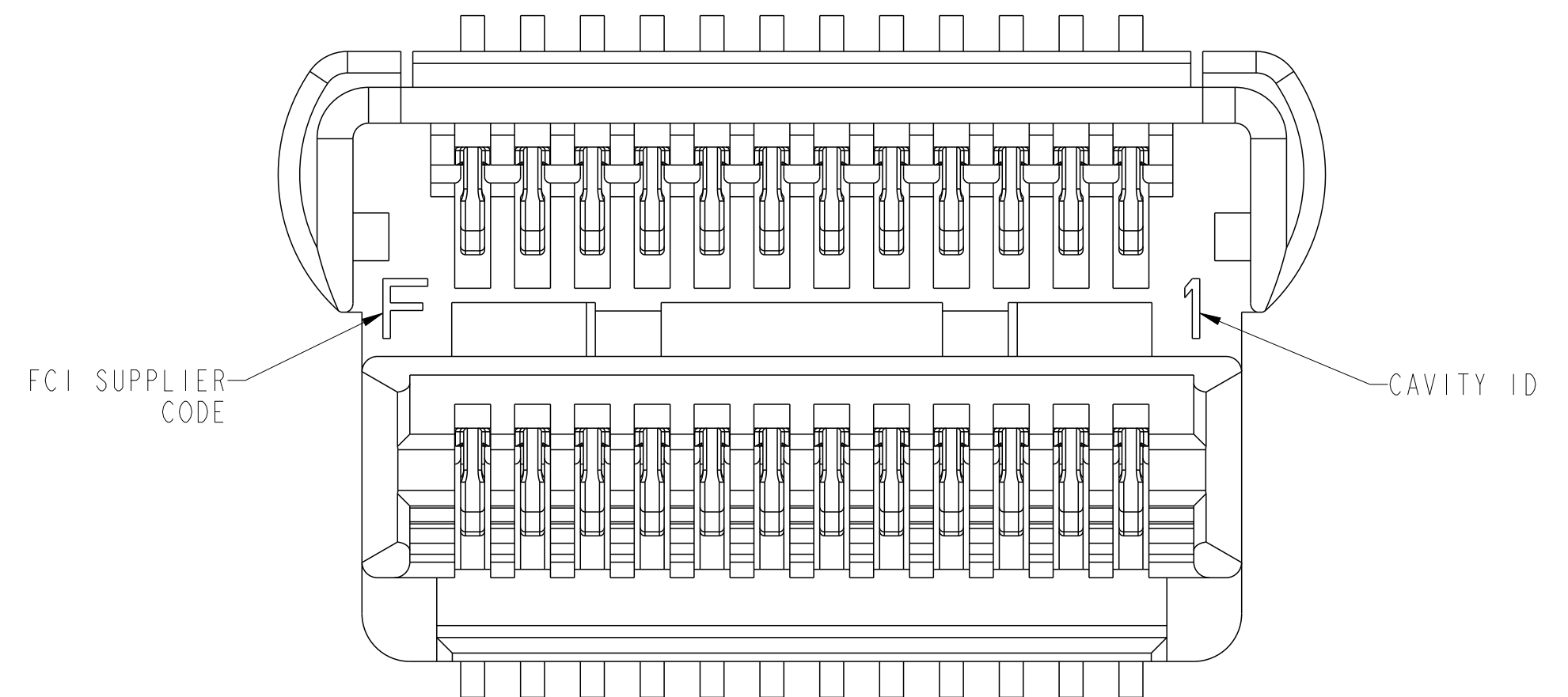
Copyright FCI. FCI

NOTES

- 1 - MATERIAL:
HOUSING - LCP, UL94-V0.
CONTACTS:
CONTACT PLATING:
SEPARABLE INTERFACE: PERFORMANCE-BASED PLATING, QUALIFIED TO MEET THE REQUIREMENTS OF FCI PRODUCT SPECIFICATION GS-12-577.
SOLDER TAILS: 0.10um Au.
- 2 - RECOMMENDED LEAD FREE SOLDER PASTE THICKNESS 150um.
- 3 - THE HOUSING WILL WITHSTAND EXPOSURE TO 260°C PEAK TEMPERATURE FOR 30 SECONDS IN A CONVECTION INFRA RED OR VAPOR PHASE REFLOW OVEN. SEE APPLICATION SPECIFICATION.
- 4 - THIS PRODUCT MEETS EUROPEAN UNION DIRECTIVES AND OTHER COUNTRY REGULATION AS DESCRIBED IN GS-22-008
- 5 - PACKAGING TAPE AND REEL PACKAGING SPECIFICATION GS-14-1320
- 6 - PRODUCT SPECIFICATION GS-12-577
- 7 - LEAD CO-PLANARITY TO BE 0.08MM MAX.
- 8 - THE TOE HEIGHT OF THE SOLDER TAIL SHALL BE MEASURED FROM THE LOWEST POINT OF THE 0.08 COPLANARITY PLANE. THIS MEASUREMENT SHALL NOT EXCEED A WINDOW OF 0.00 TO 0.10MM.
- 9 - REFER TO IPC 7525-A FOR STENCIL CREATION
- 10 - THE MAXIMUM TEMPERATURE RISE DUE TO A 1.0 AMPERE DC CURRENT FLOWING THROUGH ANY 2 ADJACENT CONTACTS AND 200 MILLIAMPERE DC CURRENT FLOWING THROUGH ALL REMAINING CONTACT SHALL NOT EXCEED 30°C WHEN TESTED AS PER FCI PRODUCT SPECIFICATION GS-12-577



10115130-001LF SHOWN
WITHOUT STANDARD PICK-UP CAP



spec ref	---	dr	Stu Stoner	2011/03/09	projection	mm	size	A2	scale	20:1
tolerance std	ASME Y14.5	eng	Sandar Soe	2016/01/28		mm	ecn no	ELX-DG-23104-1	rel level	Released
TOLERANCES UNLESS OTHERWISE SPECIFIED		chr	-	apppr						
surface	✓	linear	0.X	±0.3		title HERMAPHRODITIC CONNECTOR, SPECIAL 24 POS, 0.5MM CTR, 4MM STACK HT	dwg no 10115130	rev G	Product - Customer Drw	
			0.XX	±0.10					sheet 8 of 9	
			0.XXX	±0.05						
ASME Y14.5	angular	0°	±2°	www.fci.com	cat. no.	-	Product - Customer Drw		sheet 8 of 9	



PRODUCT NUMBER CODE;
(MANUFACTURING SITE: DONGGUAN)

G PRODUCT NUMBER CODE;
(MANUFACTURING SITE: MALAYSIA)

10115130 - 00

RESERVED

* LF

LEAD FREE

- 1: SINGLE ROW RIBS
WITHOUT LOCATING POSTS
HOUSING COLOR, BLACK
- 3: DUAL ROW RIBS
WITH LOCATING POSTS
HOUSING COLOR, WHITE
- 4: DUAL ROW RIBS
WITHOUT LOCATING POSTS
HOUSING COLOR, WHITE
- 5: DUAL ROW RIBS
WITH LOCATING POSTS
HOUSING COLOR, WHITE
ROUND FILLET ON HOUSING GUIDING FETURE
- 6: DUAL ROW RIBS
WITHOUT LOCATING POSTS
HOUSING COLOR, WHITE
ROUND FILLET ON HOUSING GUIDING FETURE

10115130 - 00

RESERVED

* M LF

LEAD FREE

MANUFACTURING SITE

- 5: DUAL ROW RIBS
WITH LOCATING POSTS
HOUSING COLOR, WHITE
ROUND FILLET ON HOUSING GUIDING FETURE
- 6: DUAL ROW RIBS
WITHOUT LOCATING POSTS
HOUSING COLOR, WHITE
ROUND FILLET ON HOUSING GUIDING FETURE



Copyright FCI.

spec ref	---	dr	Stu Stoner	2011/03/09	projection	mm	size	A2	scale	11:1
tolerance std	---	eng	Sandar Soe	2016/01/28		mm	ecn no	ELX-DG-23104-1	rel level	Released
---	TOLERANCES UNLESS OTHERWISE SPECIFIED	chr	-	---						
---		appr	Pei-Ming Zheng	2016/02/04	product family	MezzoStak	rel level	Released		
surface	✓	linear	0.X	±0.3		HERMAPHRODITIC CONNECTOR, SPECIAL 24 POS, 0.5MM CTR, 4MM STACK HT	dwg no 10115130	rev G		
			0.XX	±0.10						
			0.XXX	±0.05						
ASME Y14.5		angular	0°	±2°	www.fci.com	cat. no.	-	Product - Customer Drw	sheet 9 of 9	